



US00D655522S

(12) **United States Design Patent**
Czumaj-Bront et al.

(10) **Patent No.:** **US D655,522 S**
(45) **Date of Patent:** **** Mar. 13, 2012**

(54) **OFFICE CHAIR**

(75) Inventors: **Nicolai Czumaj-Bront**, Grand Rapids, MI (US); **Michael W. Welsh**, Rockford, MI (US)

(73) Assignee: **Haworth, Inc.**, Holland, MI (US)

(**) Term: **14 Years**

(21) Appl. No.: **29/349,720**

(22) Filed: **Apr. 26, 2010**

(51) **LOC (9) Cl.** **06-01**

(52) **U.S. Cl.** **D6/366**

(58) **Field of Classification Search** D6/334–336,
D6/360–369, 373–380, 498, 500–502, 601;
297/284.4–284.5, 291, 297–299, 300.4–300.5,
297/301.3, 354.1, 411.2, 411.27–411.29,
297/452.13, 452.19, 452.21, 452.29, 452.3,
297/452.56, 452.64

See application file for complete search history.

(56) **References Cited**

U.S. PATENT DOCUMENTS

D418,316 S *	1/2000	Vogtherr	D6/366
D444,309 S *	7/2001	Nagamitsu	D6/366
D446,397 S *	8/2001	Pennington et al.	D6/366
D476,493 S *	7/2003	Nagamitsu	D6/366
D476,820 S *	7/2003	Nagamitsu	D6/366
D479,416 S *	9/2003	Raftery	D6/502
D482,220 S *	11/2003	Grove	D6/501
D505,024 S *	5/2005	Bellin	D6/366
6,935,689 B2 *	8/2005	Horiki et al.	297/300.5
D509,671 S *	9/2005	Olson et al.	D6/366
D509,969 S *	9/2005	Loew et al.	D6/366
D534,383 S *	1/2007	Chu	D6/501
D543,041 S *	5/2007	Hara	D6/366

D543,042 S *	5/2007	Hara	D6/366
D543,736 S *	6/2007	Shields	D6/500
D557,917 S *	12/2007	Nakamura et al.	D6/366
D558,994 S *	1/2008	Machael et al.	D6/366
D559,573 S *	1/2008	Igarashi	D6/366
D559,574 S *	1/2008	Igarashi	D6/366
D561,499 S *	2/2008	Schweikarth et al.	D6/500
D567,522 S *	4/2008	Igarashi	D6/366
D571,568 S *	6/2008	Overthun et al.	D6/366
D577,934 S *	10/2008	Raftery et al.	D6/502
D597,349 S *	8/2009	Wilkinson et al.	D6/502
D601,372 S *	10/2009	Kim	D6/502
D607,653 S *	1/2010	Wilkinson et al.	D6/366

* cited by examiner

Primary Examiner — Ricky Pham

(74) *Attorney, Agent, or Firm* — Flynn, Thiel, Boutell & Tanis, P.C.

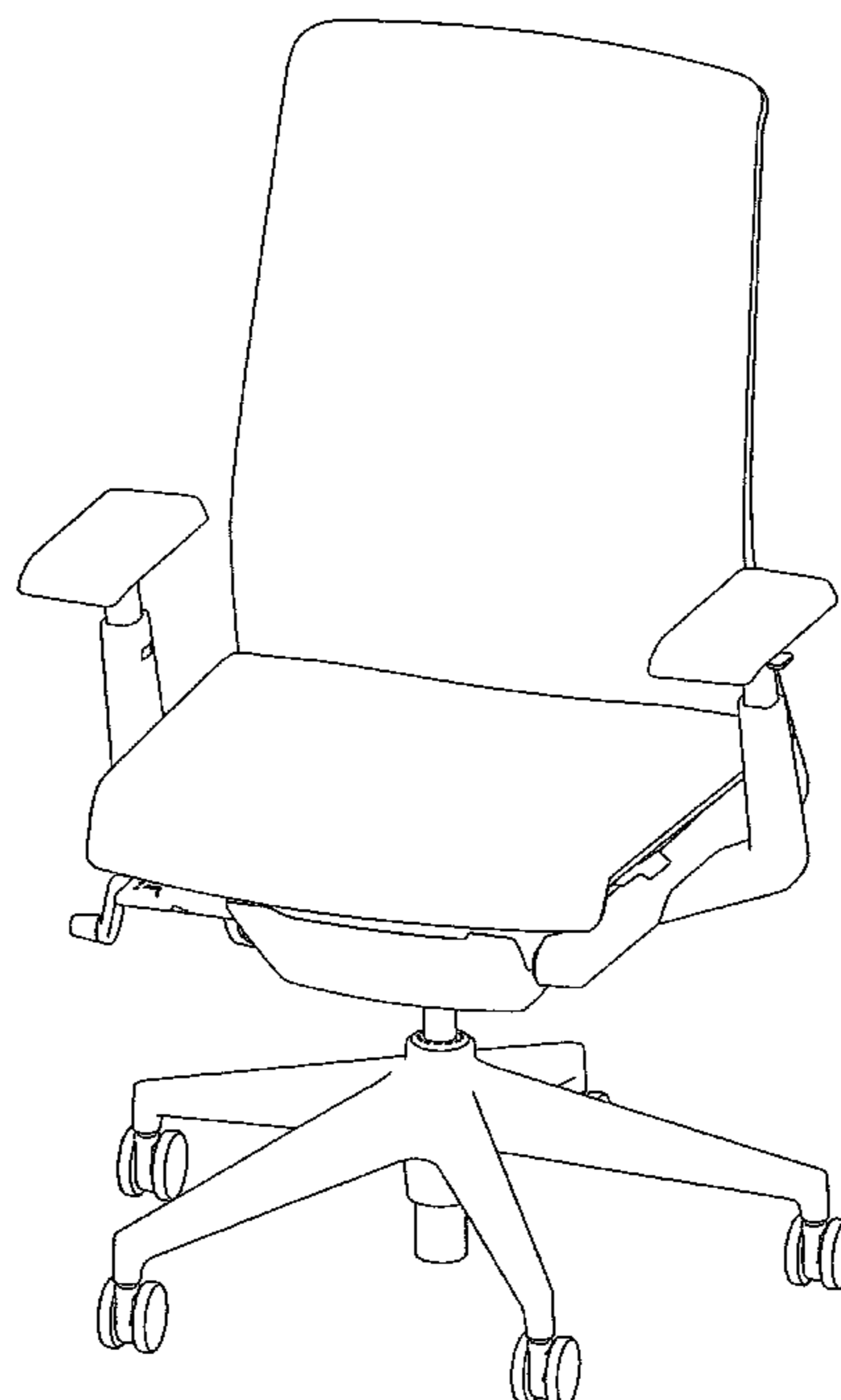
(57) **CLAIM**

The ornamental design for an office chair, as shown and described.

DESCRIPTION

FIG. 1 is a right, front perspective view of a first embodiment of an office chair embodying our design;
FIG. 2 is a front view thereof;
FIG. 3 is a rear view thereof;
FIG. 4 is a left side view thereof;
FIG. 5 is a right side view thereof;
FIG. 6 is a right, front perspective view of a second embodiment of an office chair embodying our design;
FIG. 7 is a front view thereof;
FIG. 8 is a rear view thereof;
FIG. 9 is a left side view thereof; and,
FIG. 10 is a right side view thereof.

1 Claim, 10 Drawing Sheets



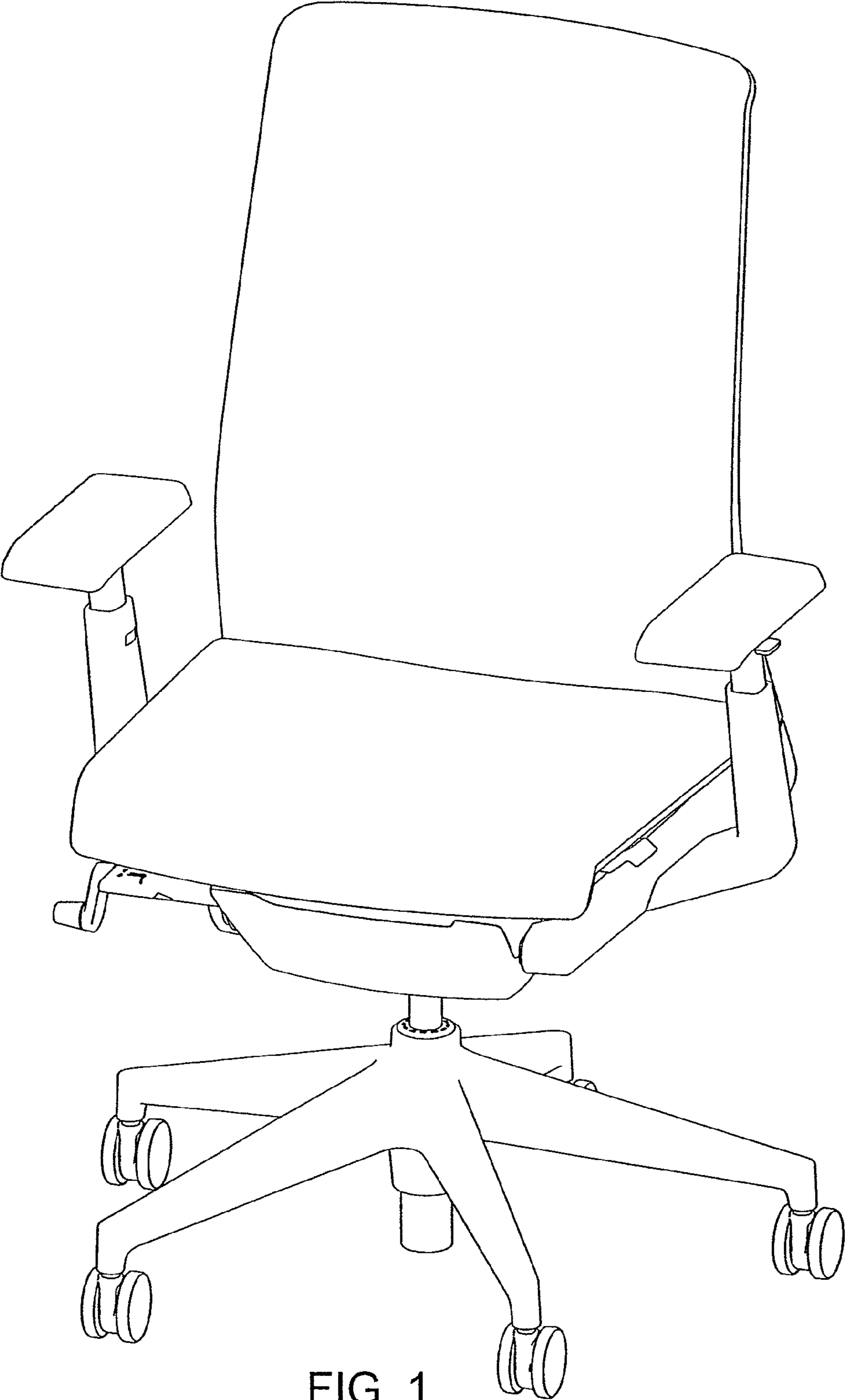


FIG. 1

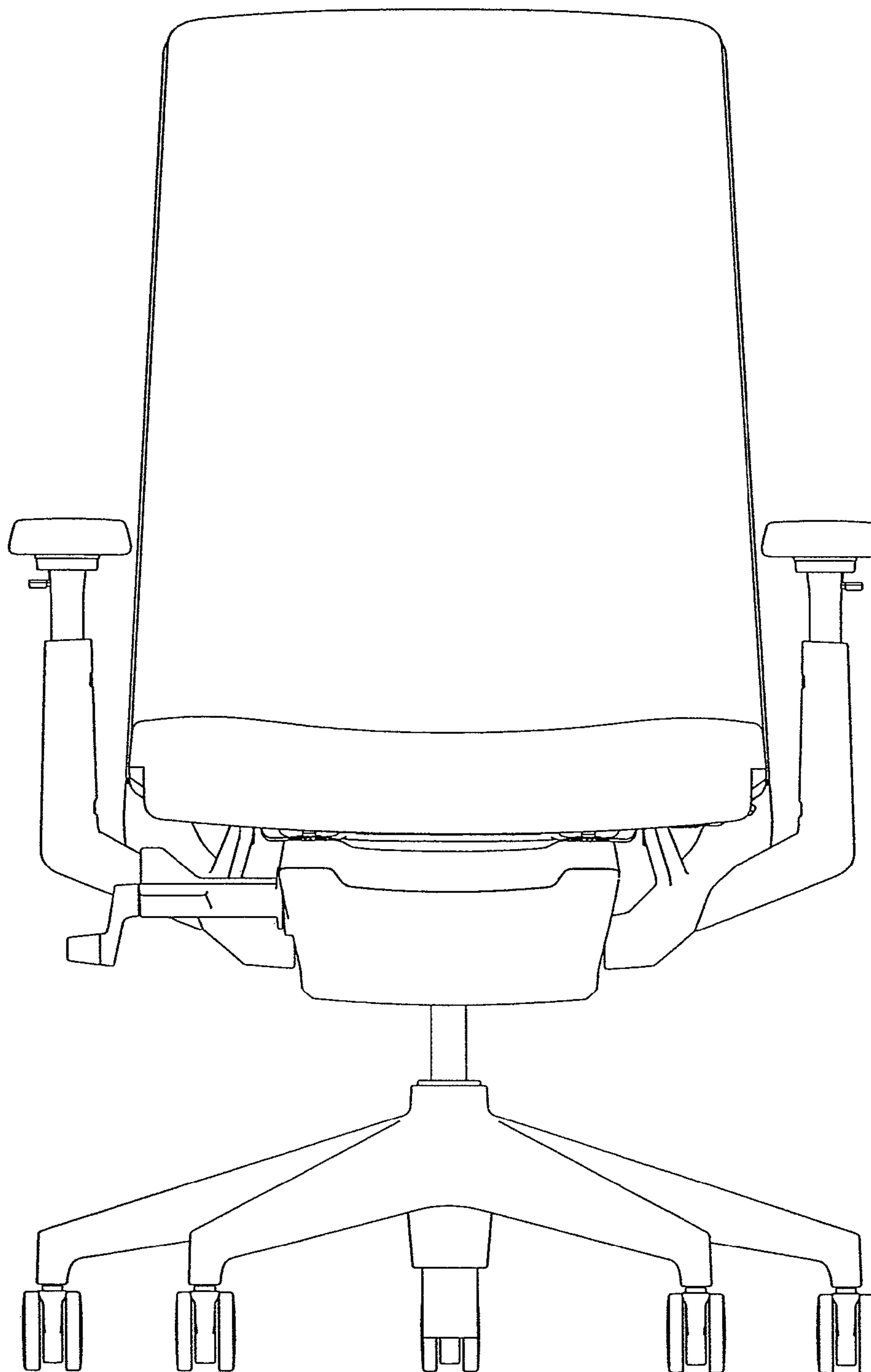


FIG. 2

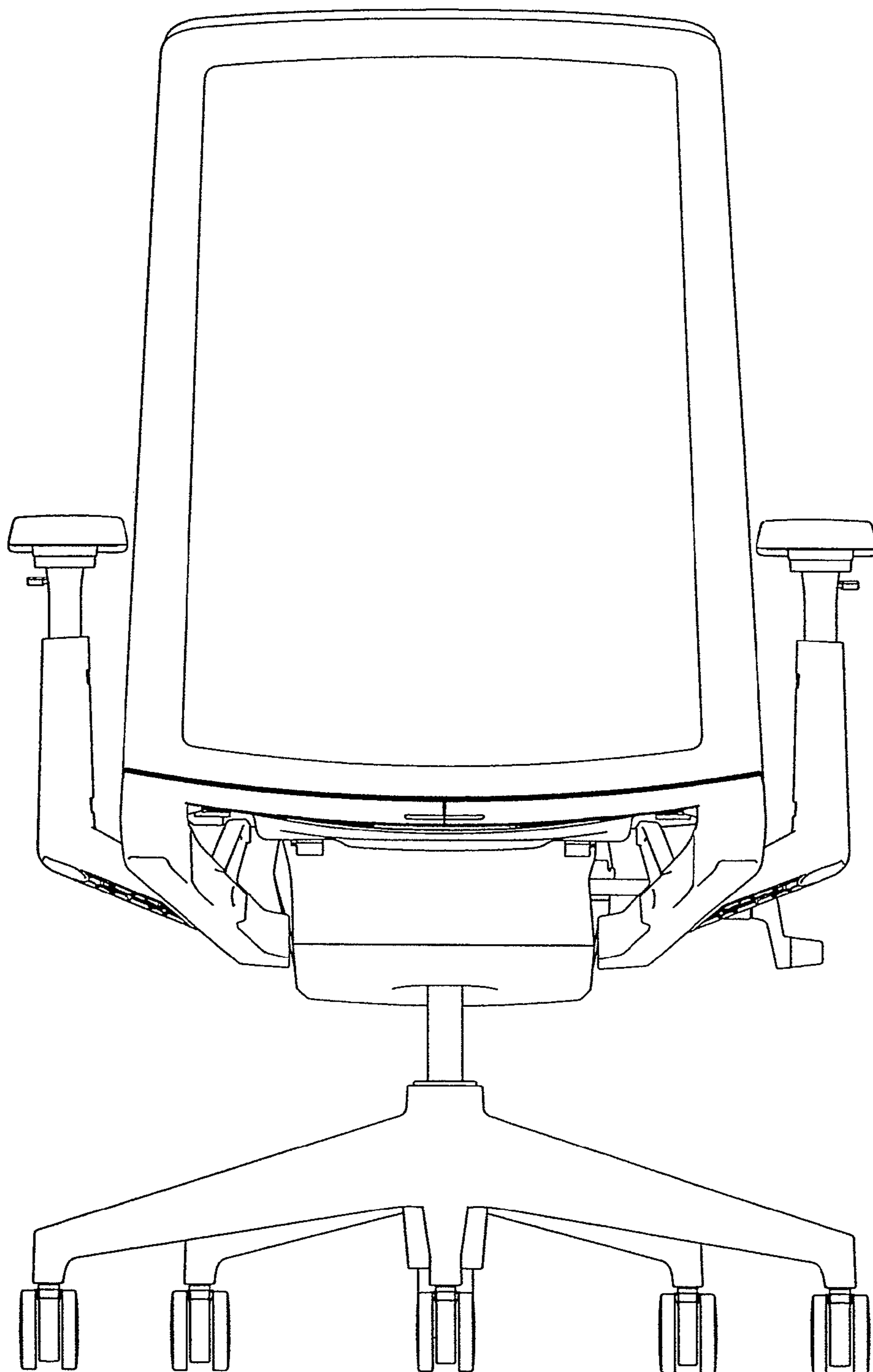


FIG. 3

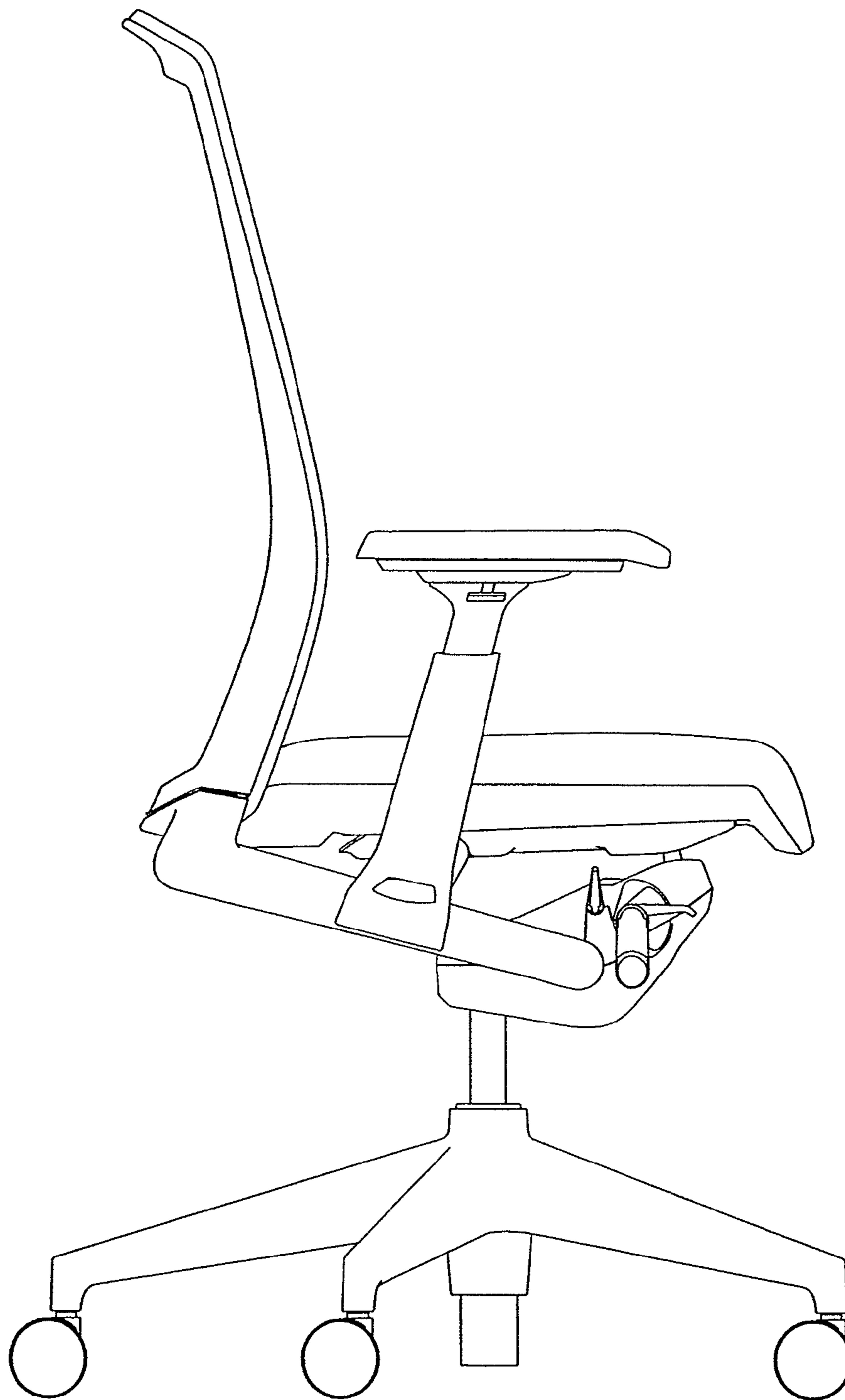


FIG. 4

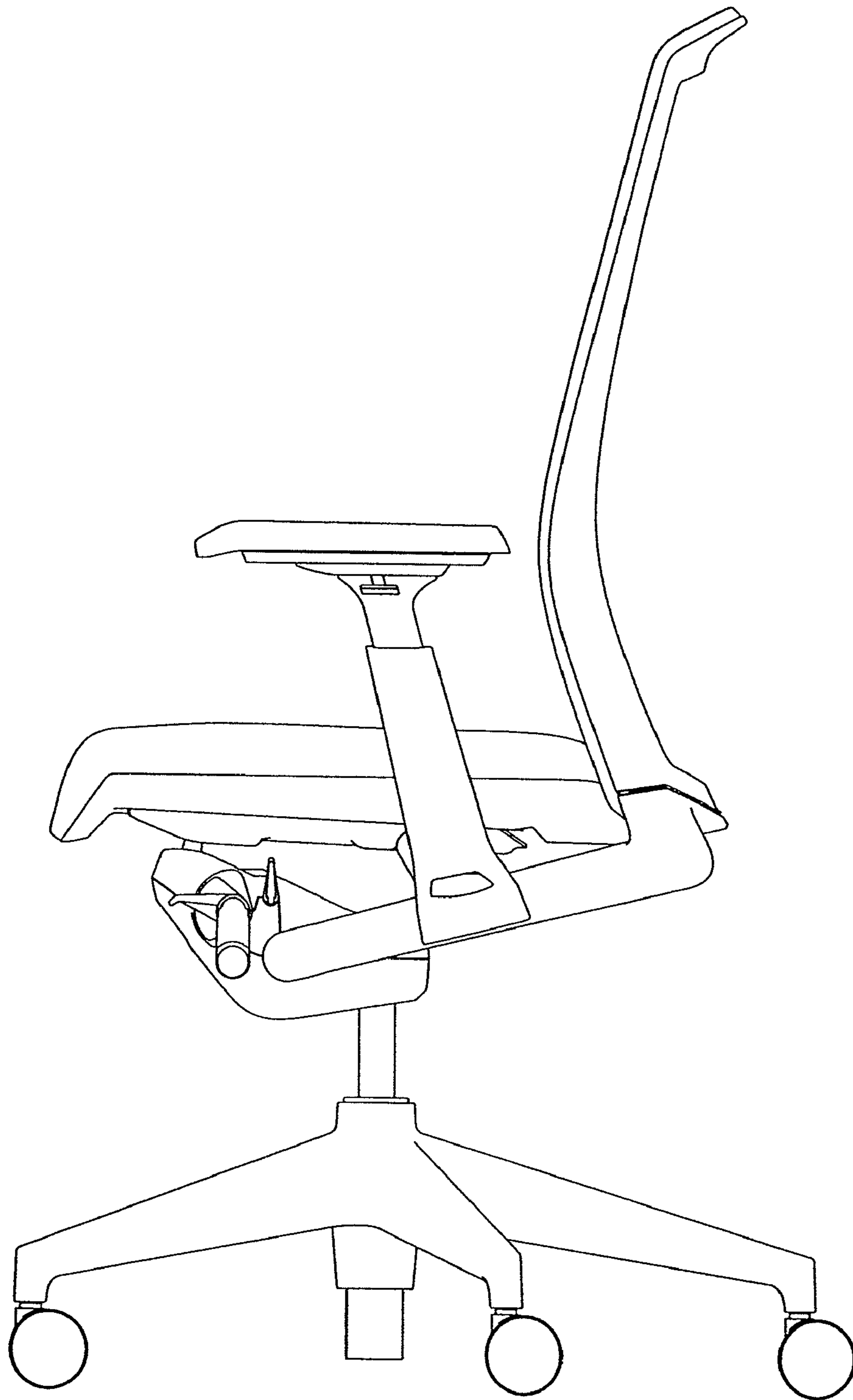


FIG. 5

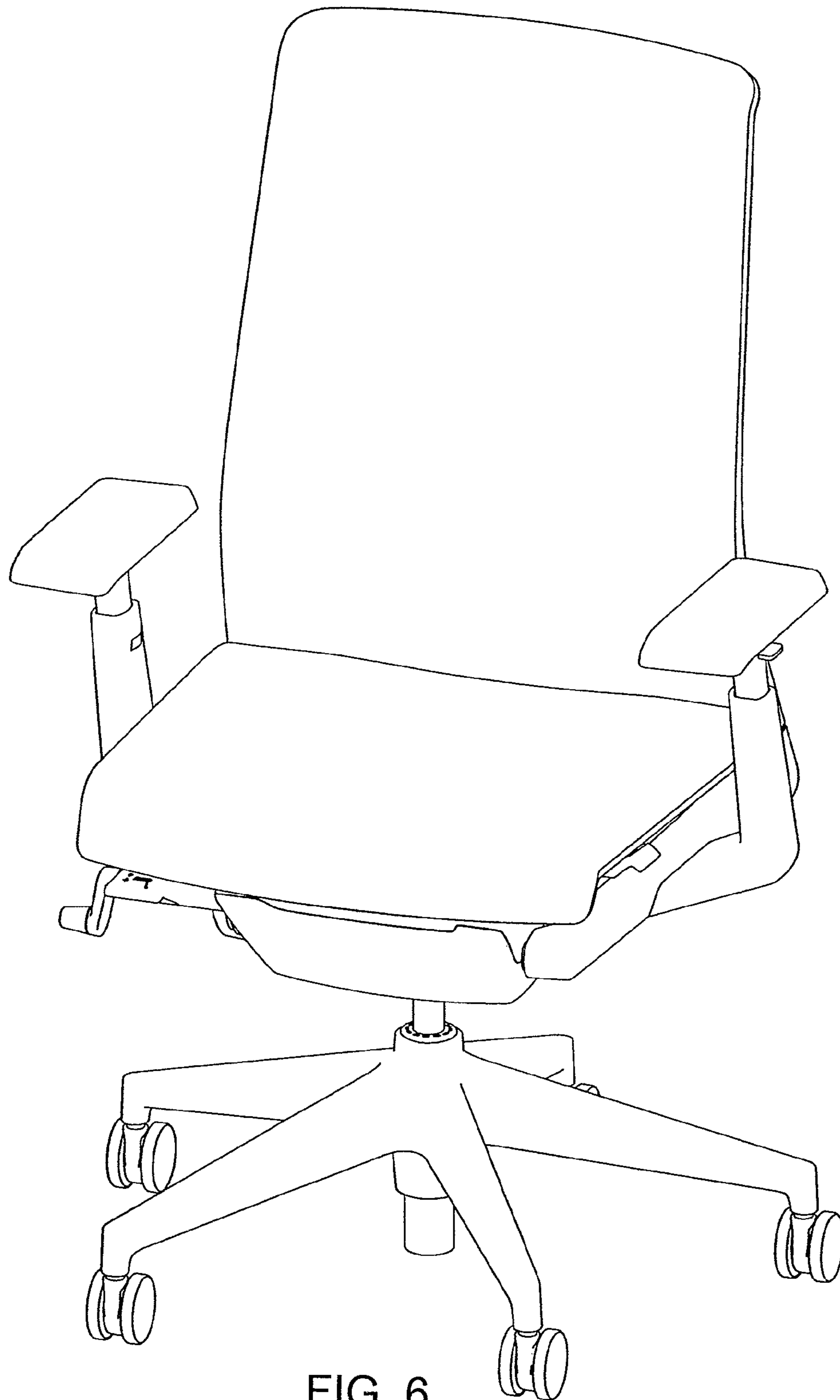


FIG. 6

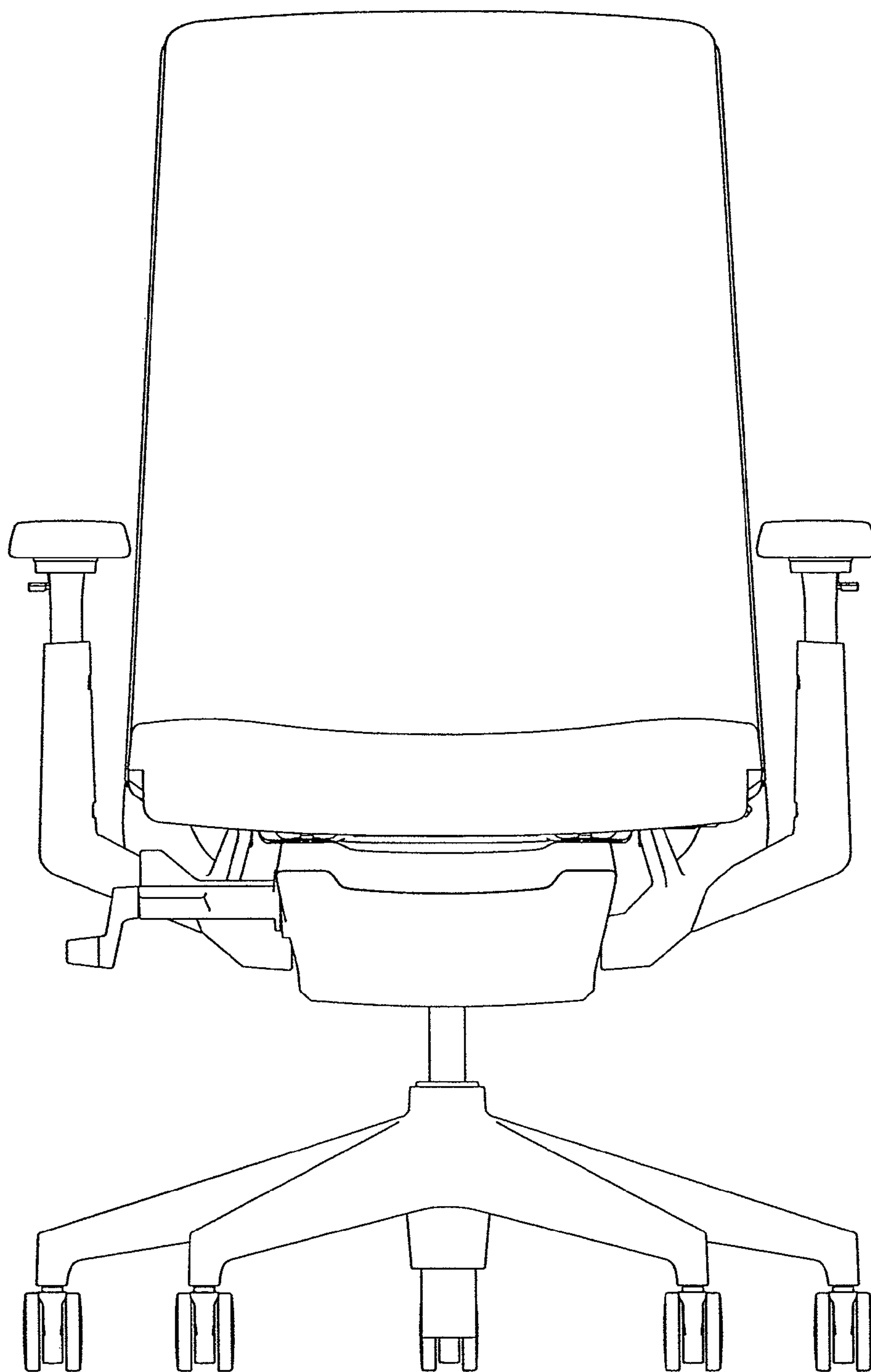


FIG. 7

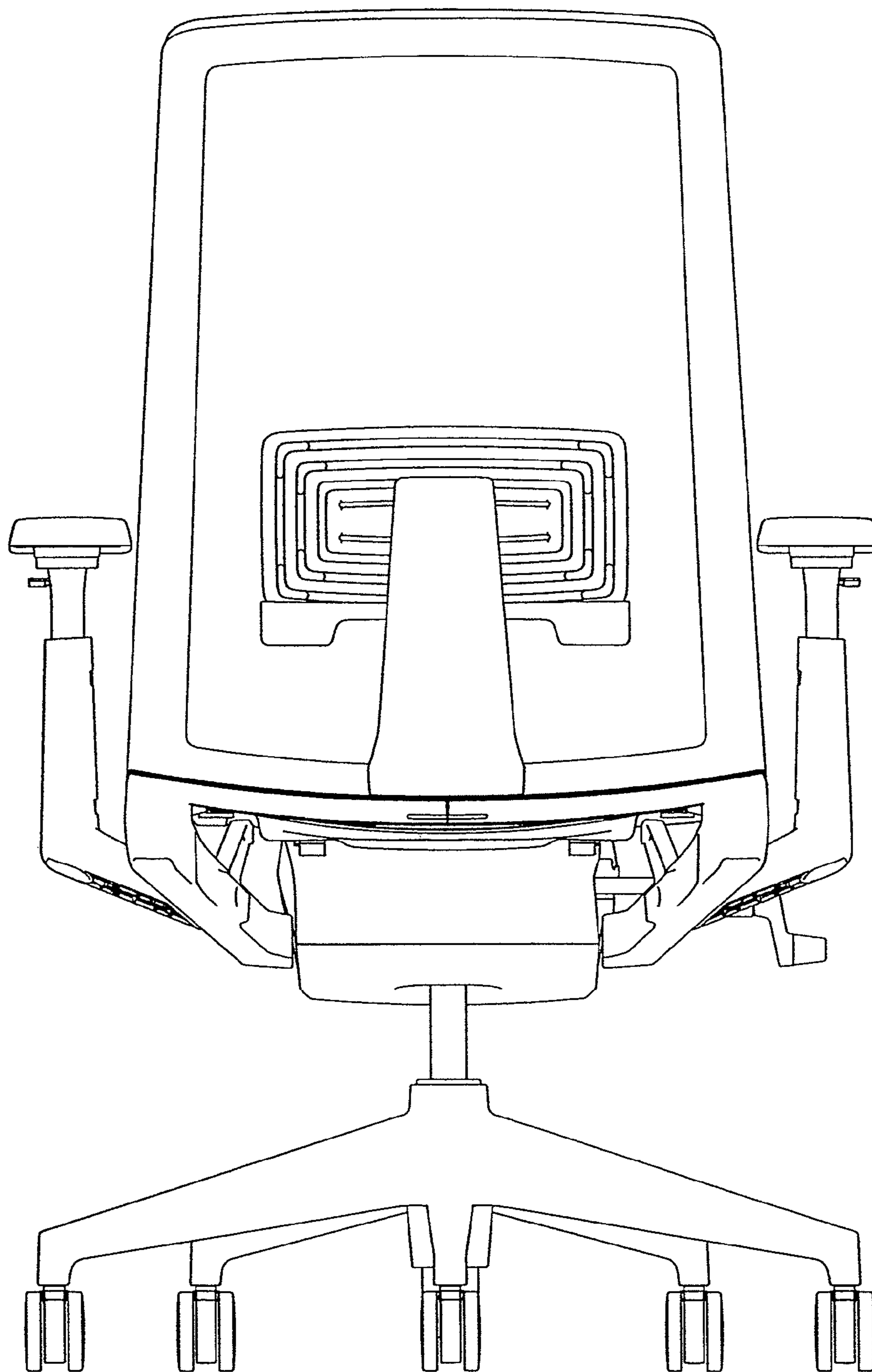


FIG. 8

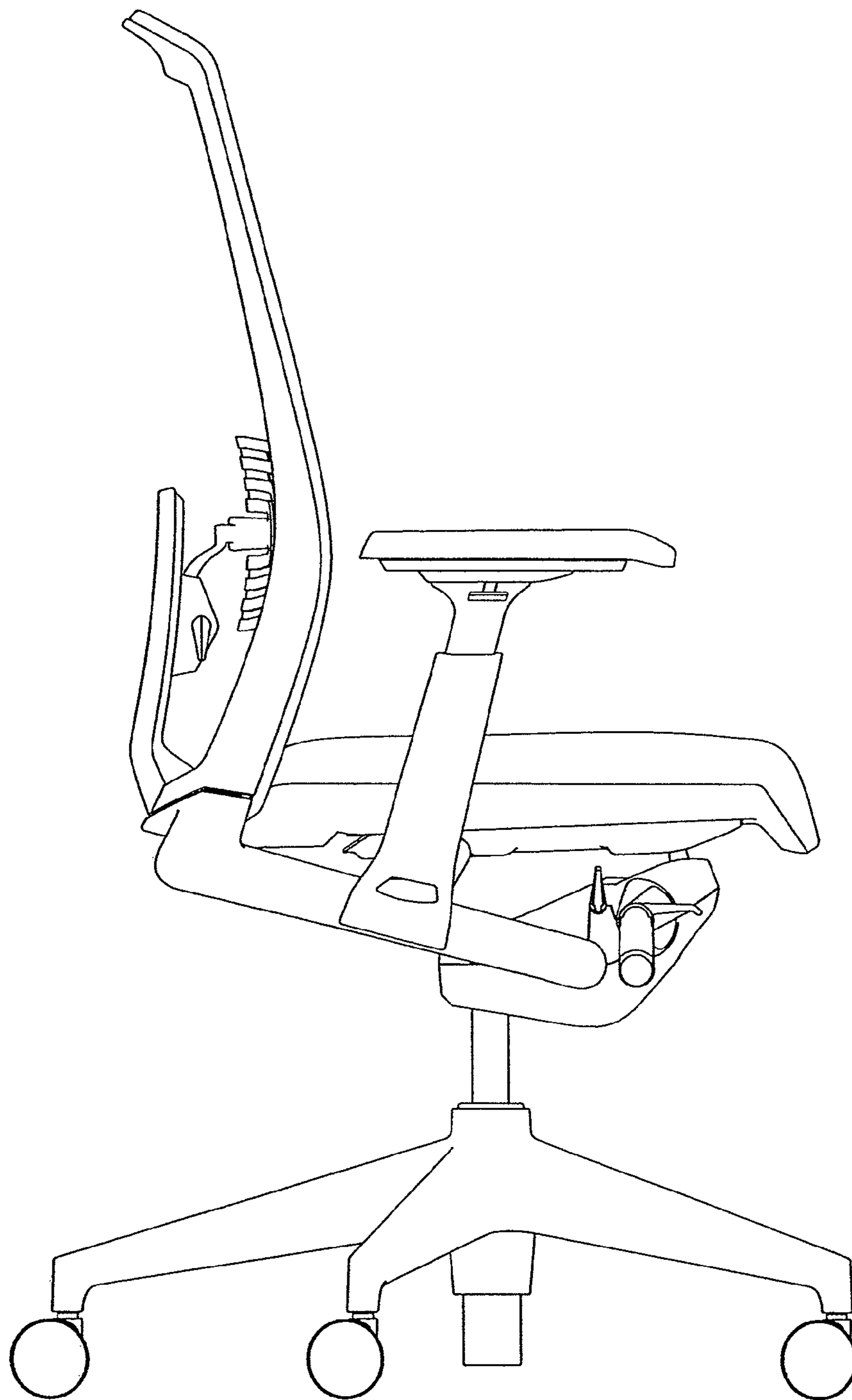


FIG. 9

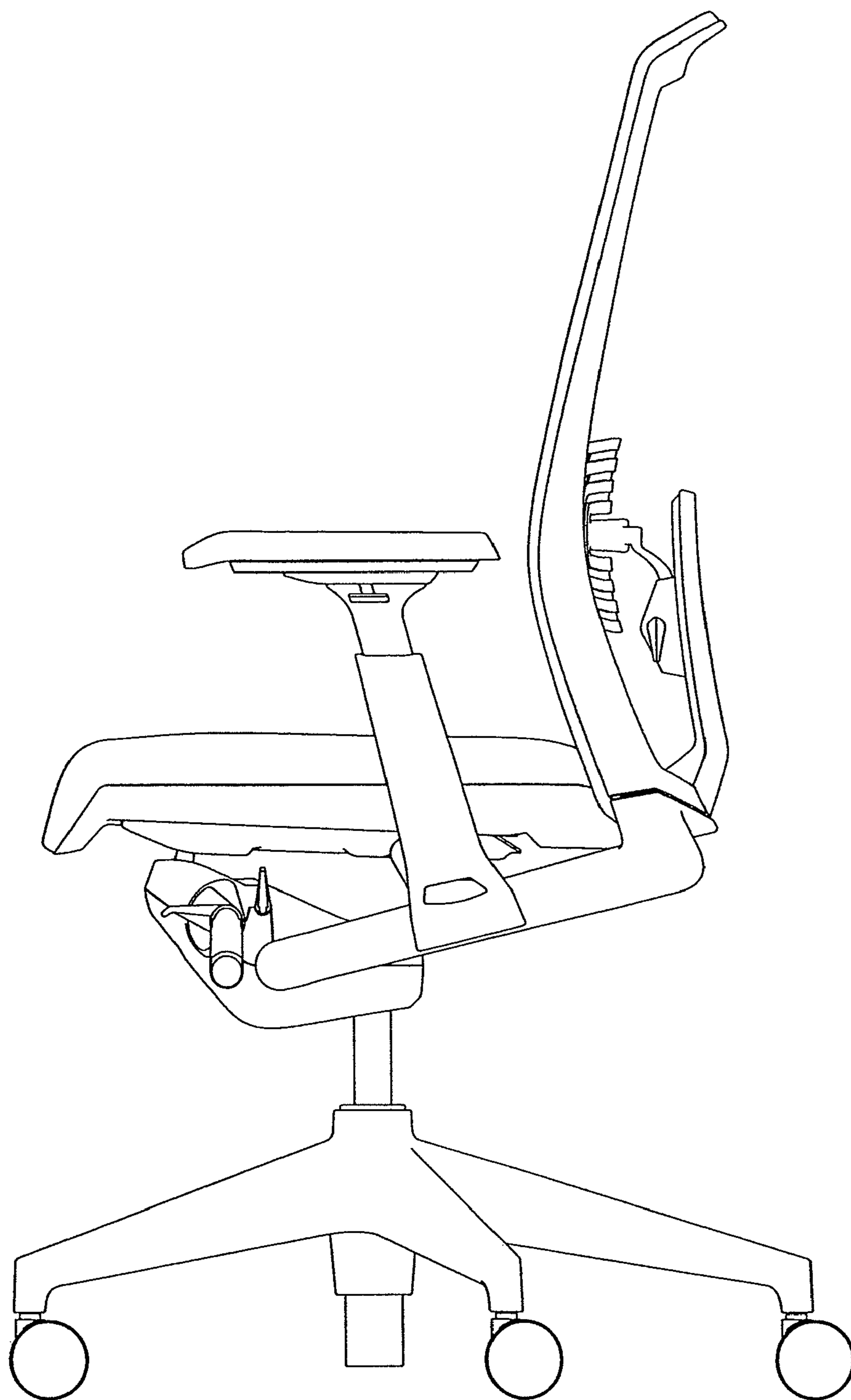


FIG. 10