



US00D655520S

(12) **United States Design Patent**
Messenger

(10) **Patent No.:** **US D655,520 S**

(45) **Date of Patent:** **** Mar. 13, 2012**

(54) **COMBINATION SQUARE DINING TABLE AND CHAIRS**

(76) Inventor: **Darla Messenger**, Las Vegas, NV (US)

(**) Term: **14 Years**

(21) Appl. No.: **29/402,717**

(22) Filed: **Sep. 26, 2011**

(51) **LOC (9) Cl.** **06-01**

(52) **U.S. Cl.** **D6/337**

(58) **Field of Classification Search** D6/335-338,
D6/357, 369, 491, 500-502; 297/135, 157.1,
297/158.2, 158.3, 158.5, 174 R, 245
See application file for complete search history.

D596,867 S 7/2009 Bergmann et al.
D600,034 S 9/2009 White, III et al.
D624,971 S * 10/2010 Cohen et al. D21/452
D627,981 S * 11/2010 Shen D6/338
D631,105 S * 1/2011 Cohen et al. D21/510

* cited by examiner

Primary Examiner — Sandra Snapp

(74) *Attorney, Agent, or Firm* — Cislo & Thomas, LLP

(57) **CLAIM**

I claim the ornamental design for a combination square dining table and chairs, as shown and described.

DESCRIPTION

FIG. 1 is a perspective view of my combination square dining table and chairs;

FIG. 2 is a top view thereof;

FIG. 3 is a side view thereof;

FIG. 4 is an enlarged view depicting the surface design as shown in the called out encircled area 4 of FIG. 3;

FIG. 5 is a front perspective view of a chair thereof with the chair removed for ease of illustration;

FIG. 6 is a rear perspective view of a chair thereof with the chair removed for ease of illustration;

FIG. 7 is a top view of a chair thereof with the chair removed for ease of illustration; and,

FIG. 8 is a rear elevational view of a chair thereof with the chair removed for ease of illustration.

The broken lines are for environmental purposes only and form no part of the claimed design. The crisscross pattern of lines in the drawings represent material that is understood to be distributed uniformly over the surface of the chairs and table.

1 Claim, 5 Drawing Sheets

(56) **References Cited**

U.S. PATENT DOCUMENTS

433,623	A *	8/1890	Honzinger	297/140
475,505	A *	5/1892	Honzinger	312/235.3
2,244,531	A *	6/1941	Elder	297/143
D143,454	S *	1/1946	White	D6/484
3,560,046	A *	2/1971	Brosk	297/157.1
3,822,078	A *	7/1974	Spadolini	297/140
D357,590	S *	4/1995	Noll	D6/337
D387,571	S *	12/1997	Schweter	D6/336
5,865,501	A *	2/1999	Eisenberg et al.	297/158.5
D422,156	S	4/2000	Black	
6,045,193	A *	4/2000	Johnson	297/423.41
D429,903	S *	8/2000	Iannaccone	D6/337
D456,622	S *	5/2002	Moquin	D6/337
D469,615	S *	2/2003	Noll	D6/337
D473,387	S *	4/2003	Noll	D6/337
D482,537	S	11/2003	Burke	
6,739,670	B2 *	5/2004	Johnson	297/423.41
7,131,699	B2 *	11/2006	Mulmed	297/440.14
D561,495	S	2/2008	Kreiss	
D572,920	S	7/2008	van Ierssel et al.	
D580,189	S	11/2008	Frinier	
D584,069	S	1/2009	Guinochet	

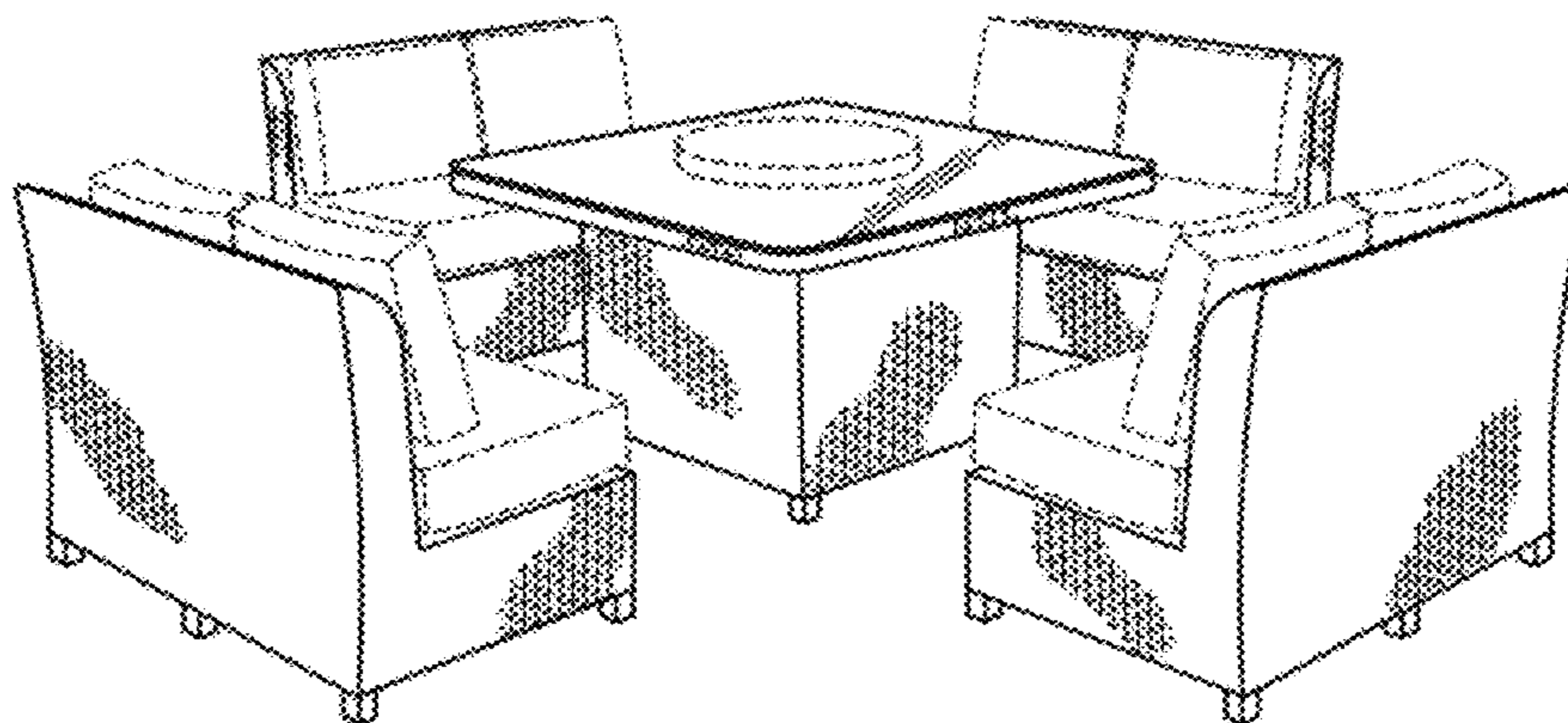


FIG. 1

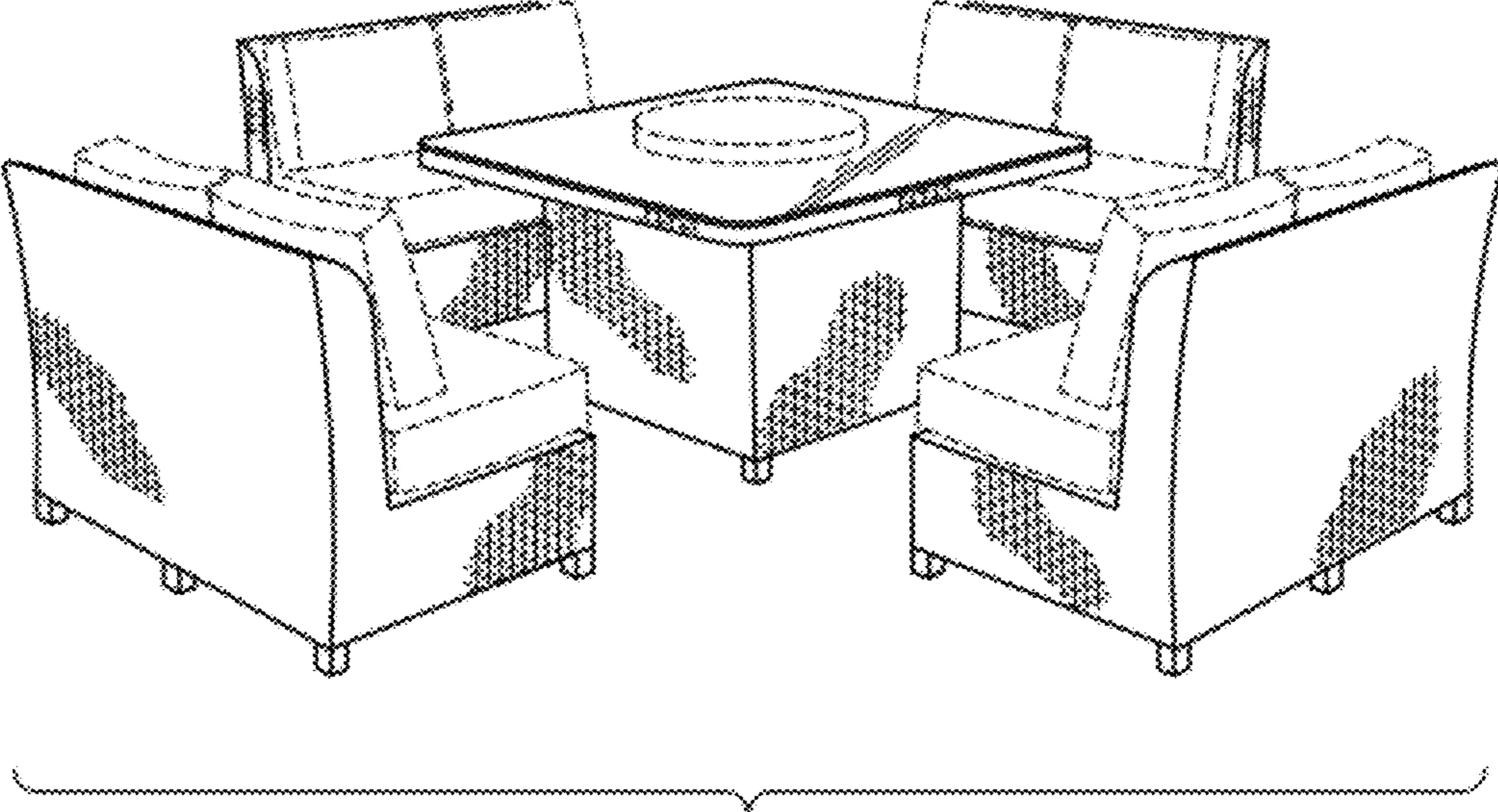


FIG. 2

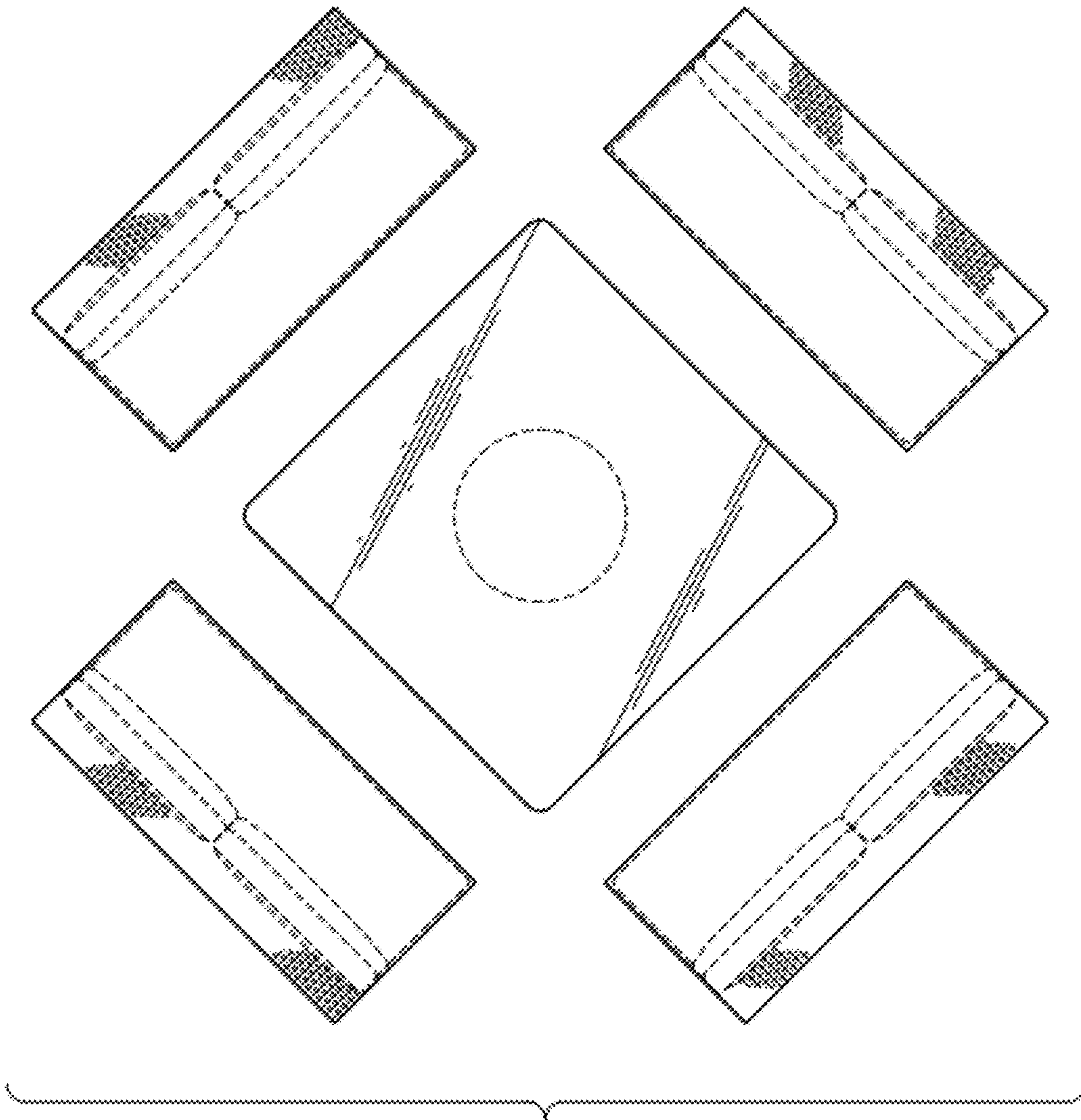


FIG. 3

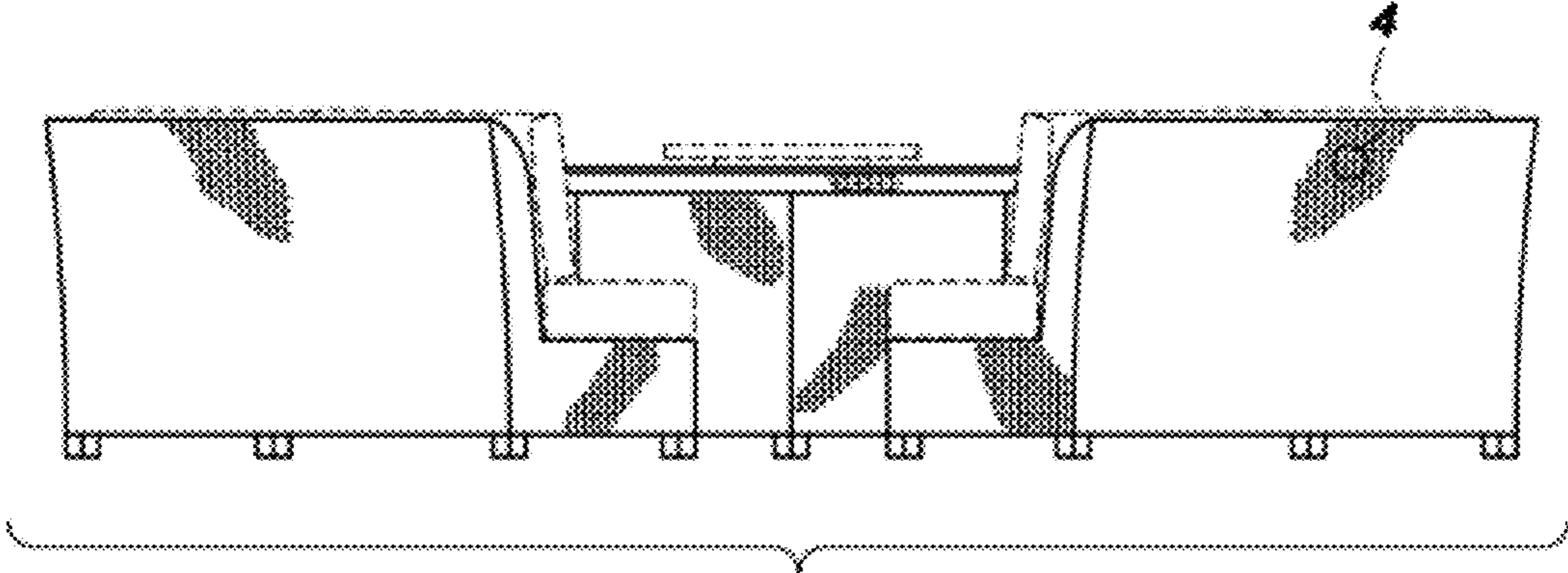


FIG. 4

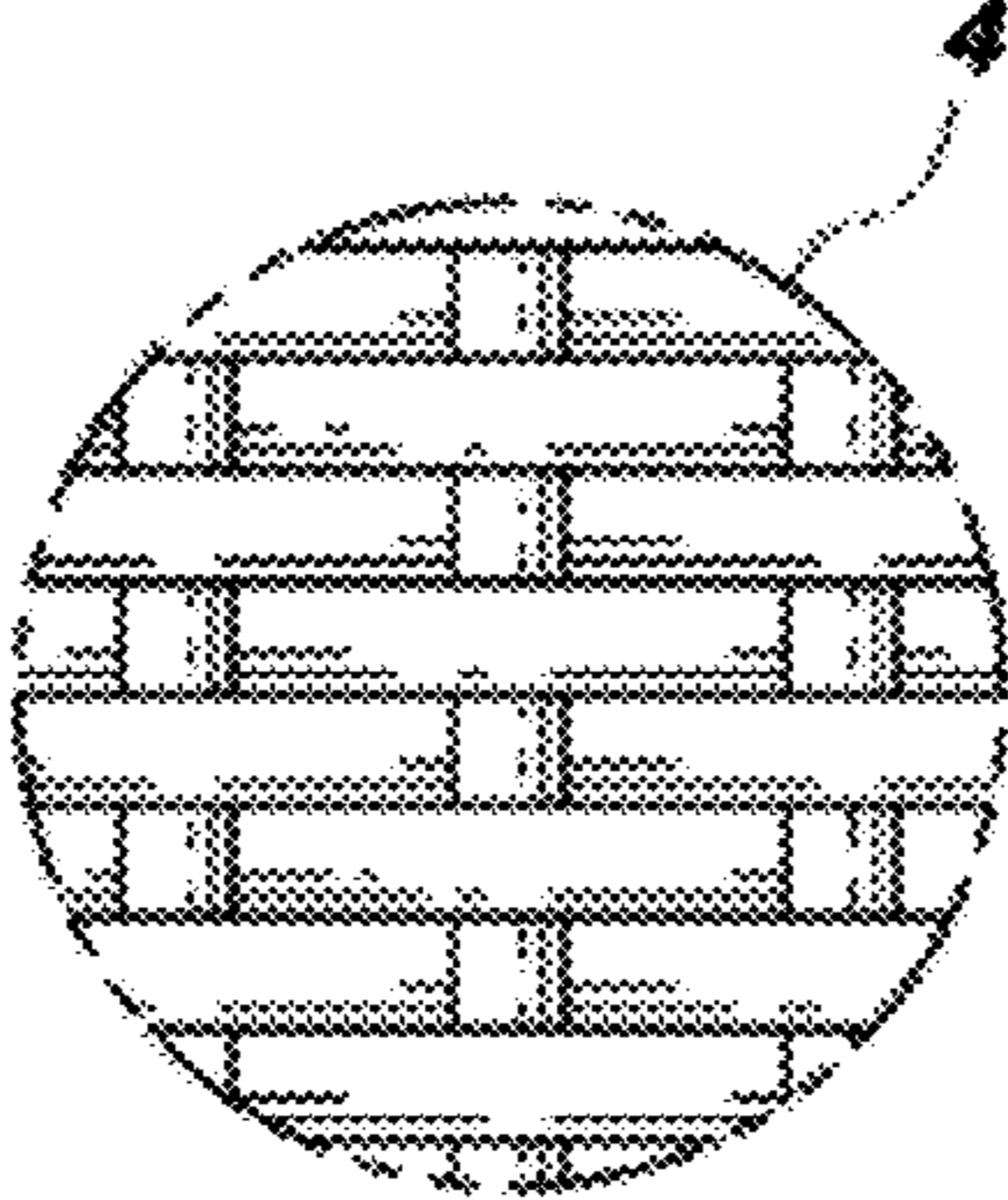


FIG. 5

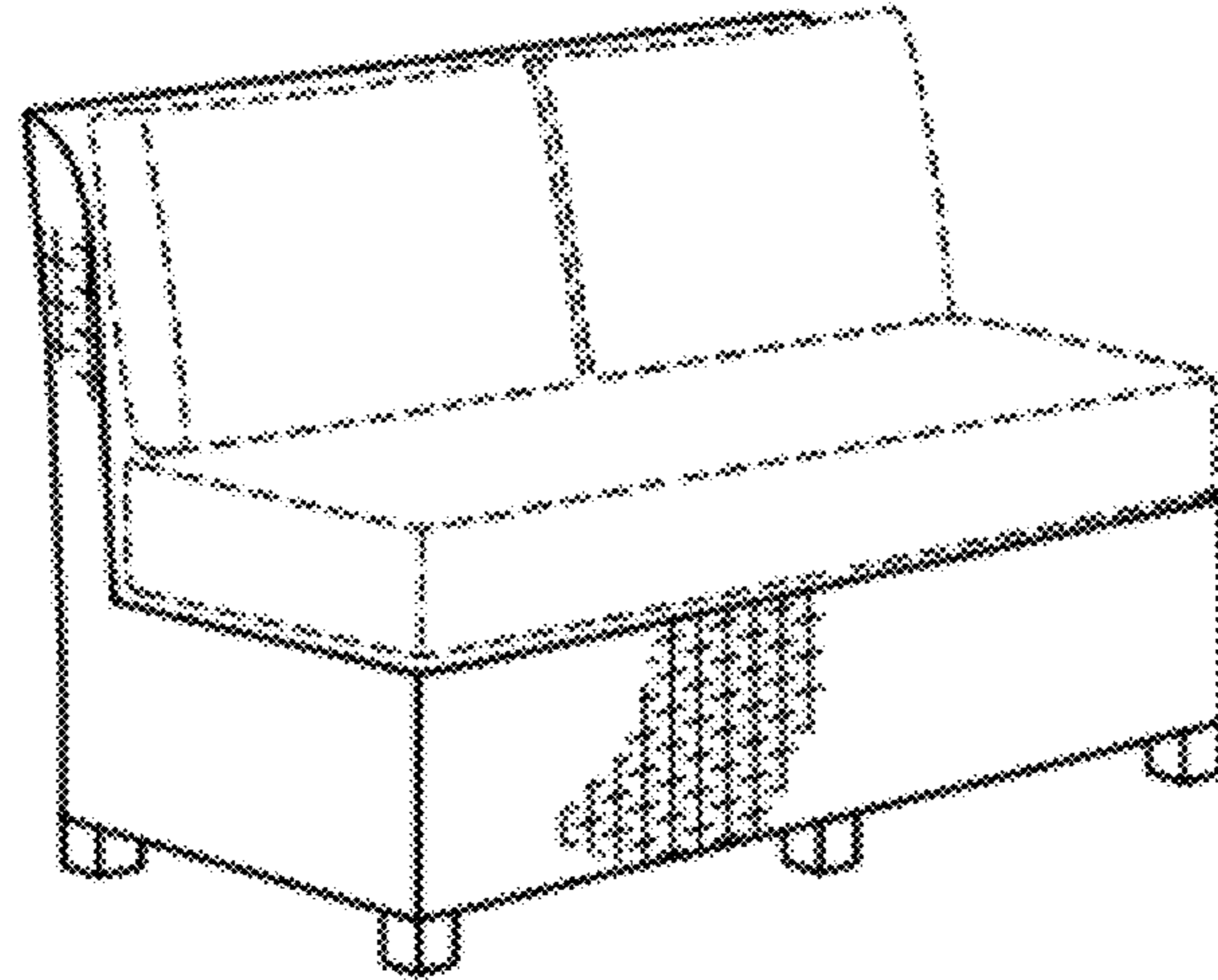


FIG. 6

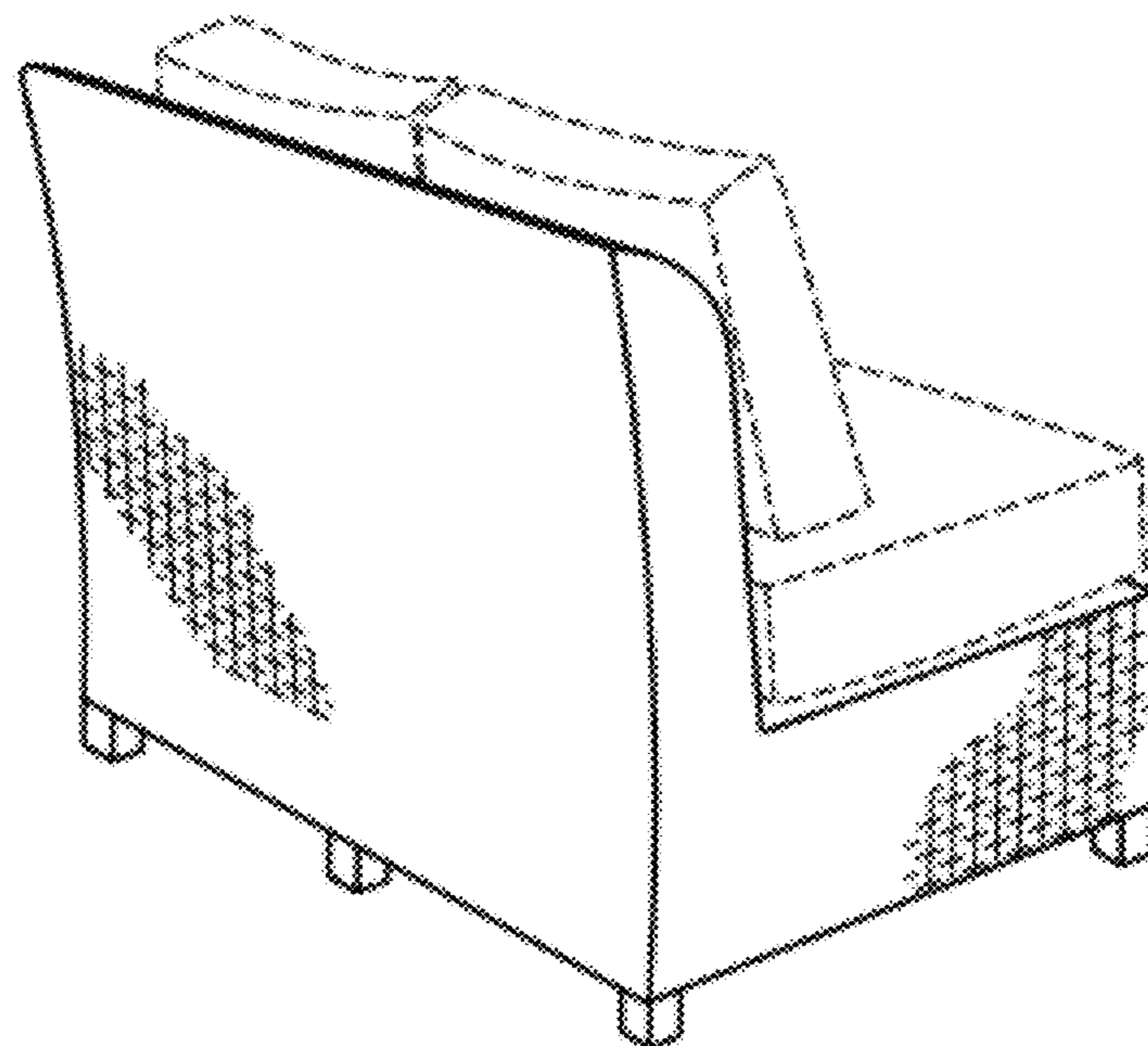


FIG. 7

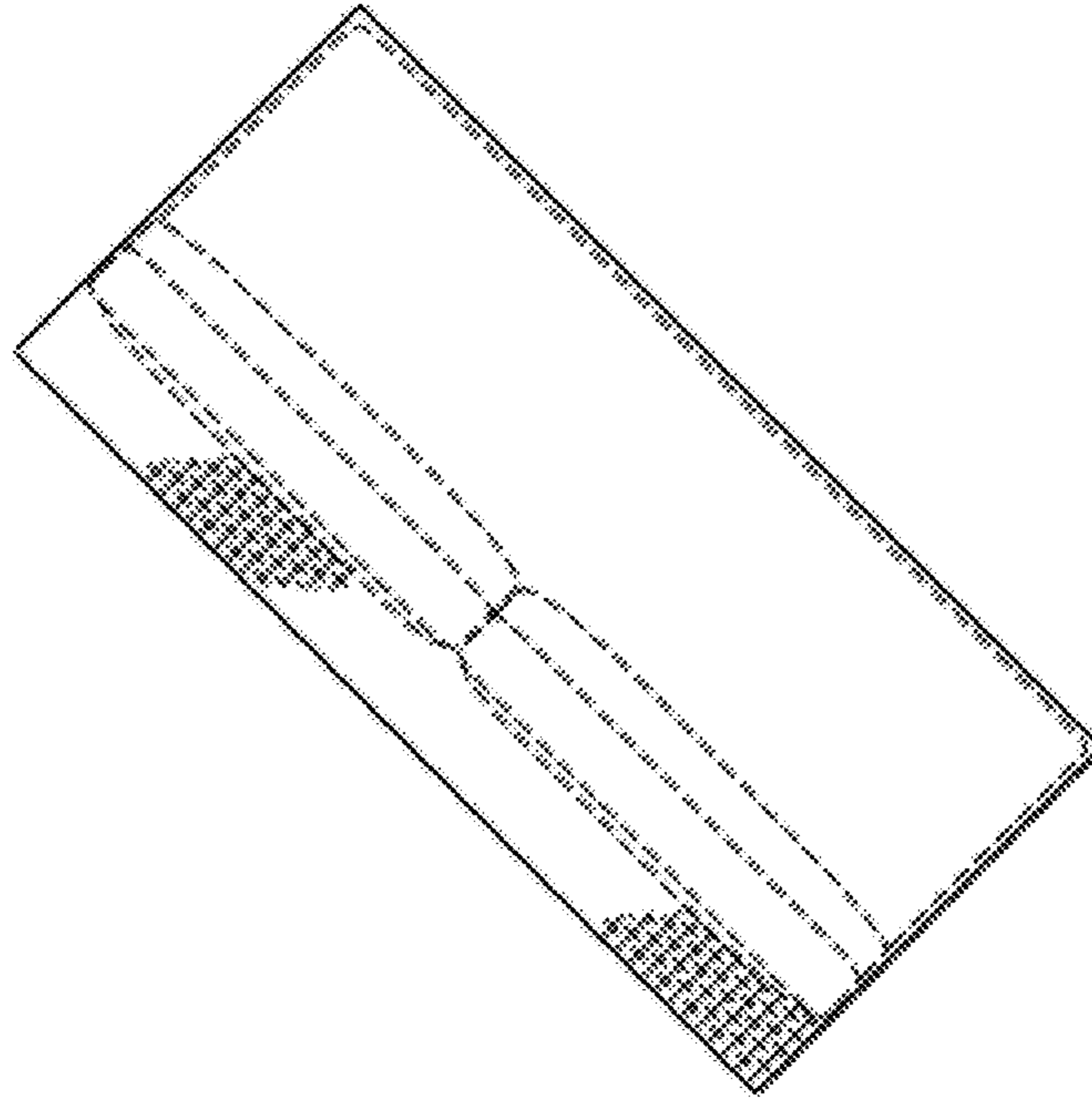


FIG. 8

