



US00D655518S

(12) **United States Design Patent**
Sclare

(10) **Patent No.:** **US D655,518 S**
(45) **Date of Patent:** **** *Mar. 13, 2012**

(54) **OVERHEAD STRUCTURE FOR AN INFANT SEAT**

7,455,353 B2 11/2008 Favorito (nee Wilkins) et al.
D602,266 S * 10/2009 Hagstrom D6/333
D615,780 S 5/2010 Kwon et al.

(75) Inventor: **Jake Scclare**, Dacula, GA (US)

OTHER PUBLICATIONS

(73) Assignee: **Kids II, Inc.**, Atlanta, GA (US)

Website disclosing Bright Starts™ Comfort & Harmony™ Cradling Bouncer, <http://web.archive.org/web/20100402103304/http://www.brightstarts.com/p-216-comfort-harmony-cradling-bouncer.aspx>, Apr. 2, 2010.

(*) Notice: This patent is subject to a terminal disclaimer.

Instruction Manual for Boppy™ Rock In Comfort™ Swing. Exact publication date unknown, believed to have been published in Feb. 2007.

(**) Term: **14 Years**

Website disclosing Graco® Soothe & Swaddle™ Bouncer, <http://web.archive.org/web/20080309150914/http://www.toysrus.com/product/index.jsp?productId=3030695>; Mar. 9, 2008.

(21) Appl. No.: **29/389,276**

(Continued)

(22) Filed: **Apr. 8, 2011**

(51) **LOC (9) Cl.** **06-01**

Primary Examiner — Caron D Veynar

(52) **U.S. Cl.** **D6/333**

Assistant Examiner — Abraham Bahta

(58) **Field of Classification Search** D6/333,
D6/335, 339, 491, 500–502; 297/183.1–183.4,
297/184.13, 184.15, 184.17, 250.1, 255,
297/256.1, 256.15, 256.16; 5/94, 98.1, 99.1,
5/101, 102, 105, 655; D12/129; 24/200;
D3/6; 135/117, 124; 280/30, 31, 642, 47.38,
280/47.4, 647, 650; D21/412, 419, 834
See application file for complete search history.

(74) *Attorney, Agent, or Firm* — Alston & Bird LLP

(57) **CLAIM**

I claim the ornamental design for an overhead structure for an infant seat, as shown and described.

DESCRIPTION

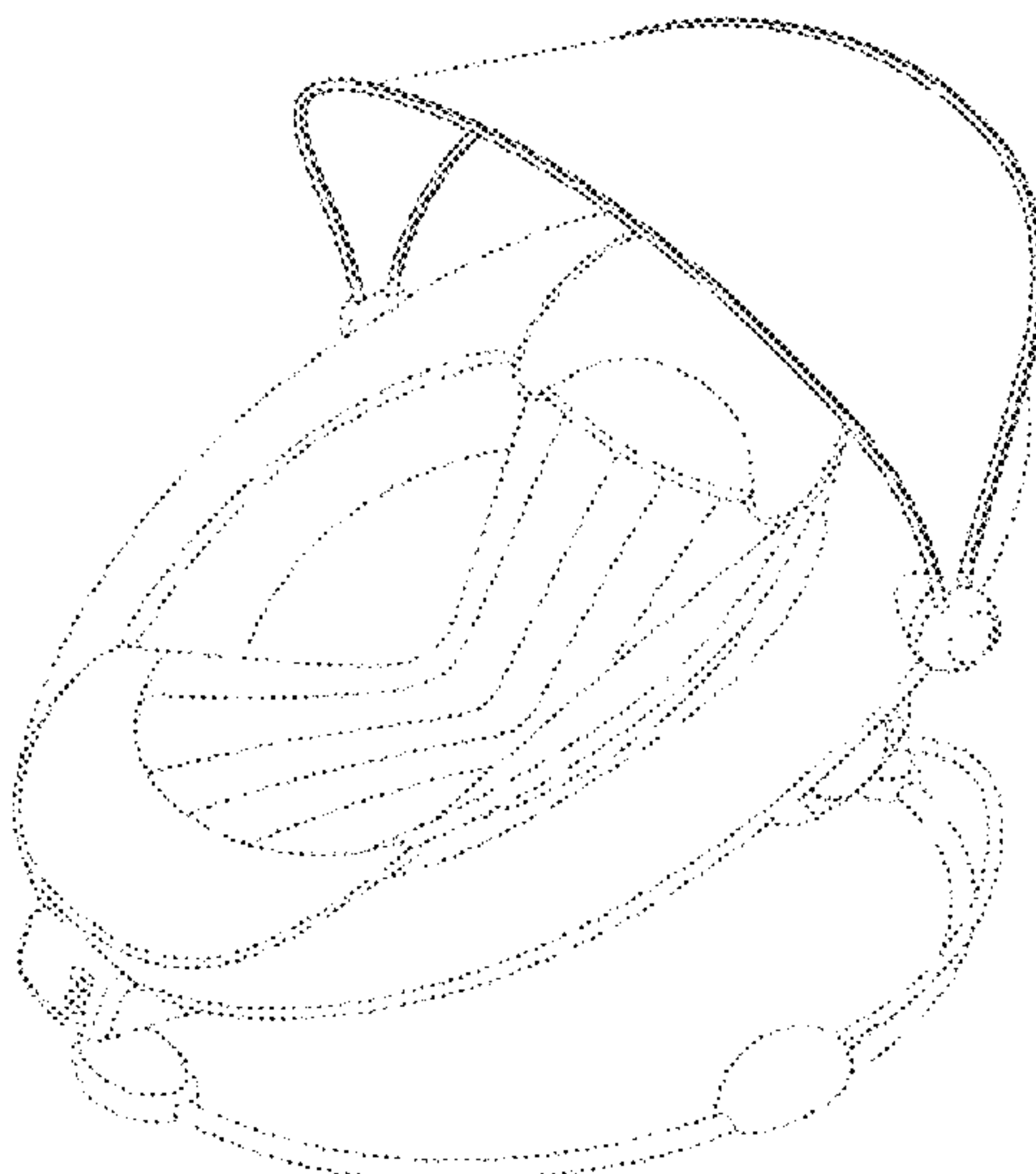
(56) **References Cited**

U.S. PATENT DOCUMENTS

D232,137 S * 7/1974 Petlirer D6/333
D288,757 S * 3/1987 Hoeckel D6/491
D297,685 S * 9/1988 Wilson D6/348
D345,128 S * 3/1994 Kassai D12/129
D396,207 S 7/1998 Berkey
D412,468 S 8/1999 Berkey et al.
5,947,552 A 9/1999 Wilkins et al.
6,027,163 A 2/2000 Longenecker
D429,923 S * 8/2000 Meglino et al. D6/491
D438,731 S * 3/2001 Brown et al. D6/491
6,257,659 B1 7/2001 Wilkins et al.
6,390,555 B2 5/2002 Wilkins et al.
6,443,522 B1 9/2002 Kain et al.
6,851,745 B2 2/2005 nee Wilkins et al.

FIG. 1 is a perspective view of an embodiment of an overhead structure for an infant seat showing my new design; FIG. 2 is another perspective view thereof; FIG. 3 is front side elevation view thereof; FIG. 4 is a rear side elevation view thereof; FIG. 5 is a left side elevation view thereof; FIG. 6 is a right side elevation view thereof; FIG. 7 is a top plan view thereof; and, FIG. 8 is a perspective view of another embodiment of an overhead structure for an infant seat showing my new design. The broken lines immediately adjacent solid lines represent bounds of the claimed design and environment while all other broken lines are directed to environment and are for illustrative purposes only. The broken lines form no part of the claimed design.

1 Claim, 8 Drawing Sheets



OTHER PUBLICATIONS

Website disclosing Combi® POD Bouncer, <http://web.archive.org/web/2010021123824/http://www.toysrus.com/product/index.jsp?productId=3819496>; Feb. 11, 2010.

Website disclosing Eddie Bauer® Soothing Comfort Bouncenette, <http://www.babyage.com/baby-gear/eddie-bauer-baby-gear/eddie-bauer-soothing-comfort-bouncenette-46628.htm>; Jul. 16, 2009.

Website disclosing Safety 1st® Disney® Musical Deluxe™ Bouncer, <http://web.archive.org/web/20101009214227/http://www.babyswings.com/baby-bouncers/baby-bouncers/disneymusicaldeluxeouncer.cfm>; Oct. 9, 2010.

Website disclosing Svan® Bouncer, <http://web.archive.org/web/20061110083254/http://www.svanusa.com/bouncer.cfm>; Nov. 10, 2006.

* cited by examiner

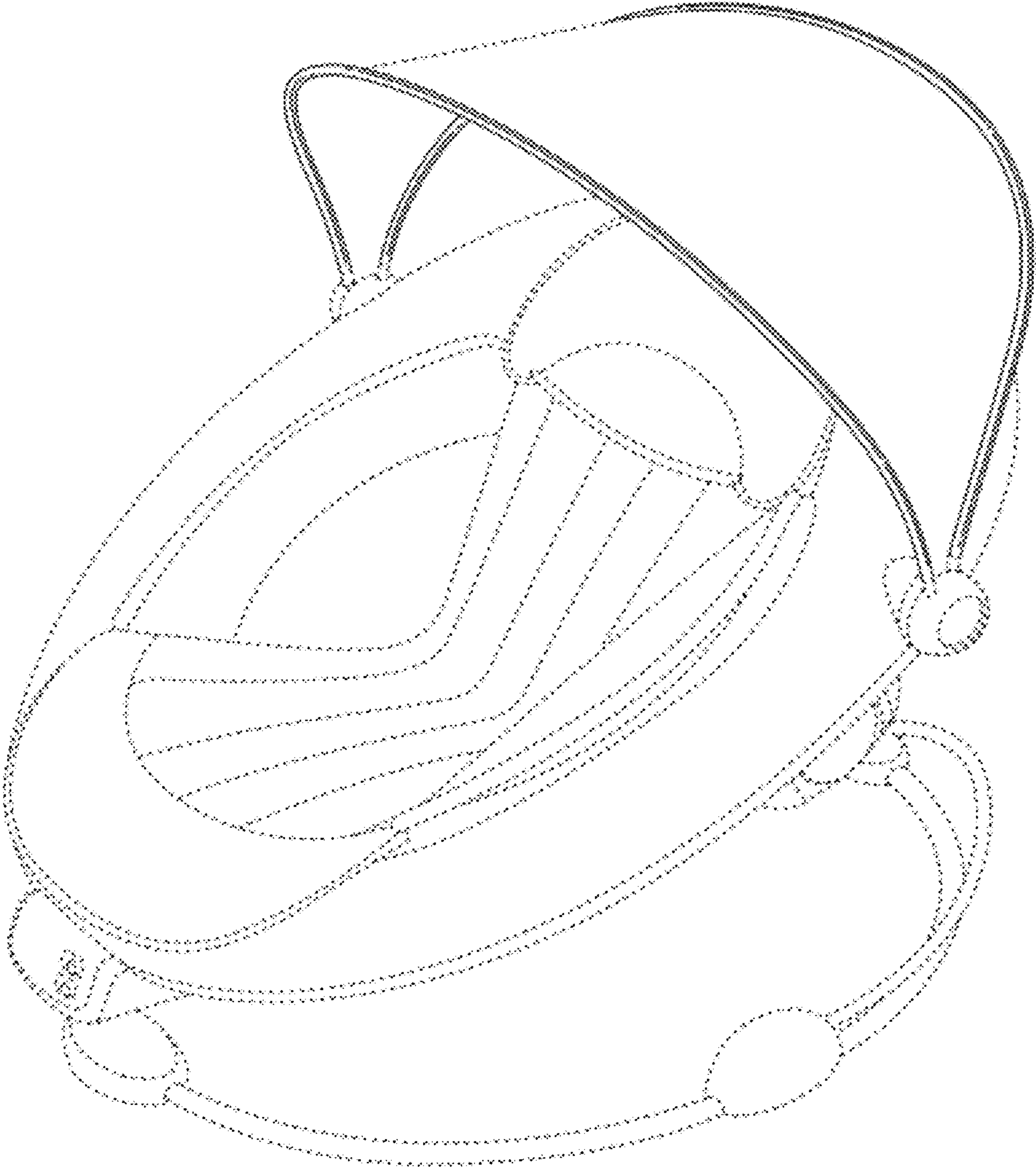


FIG. 1

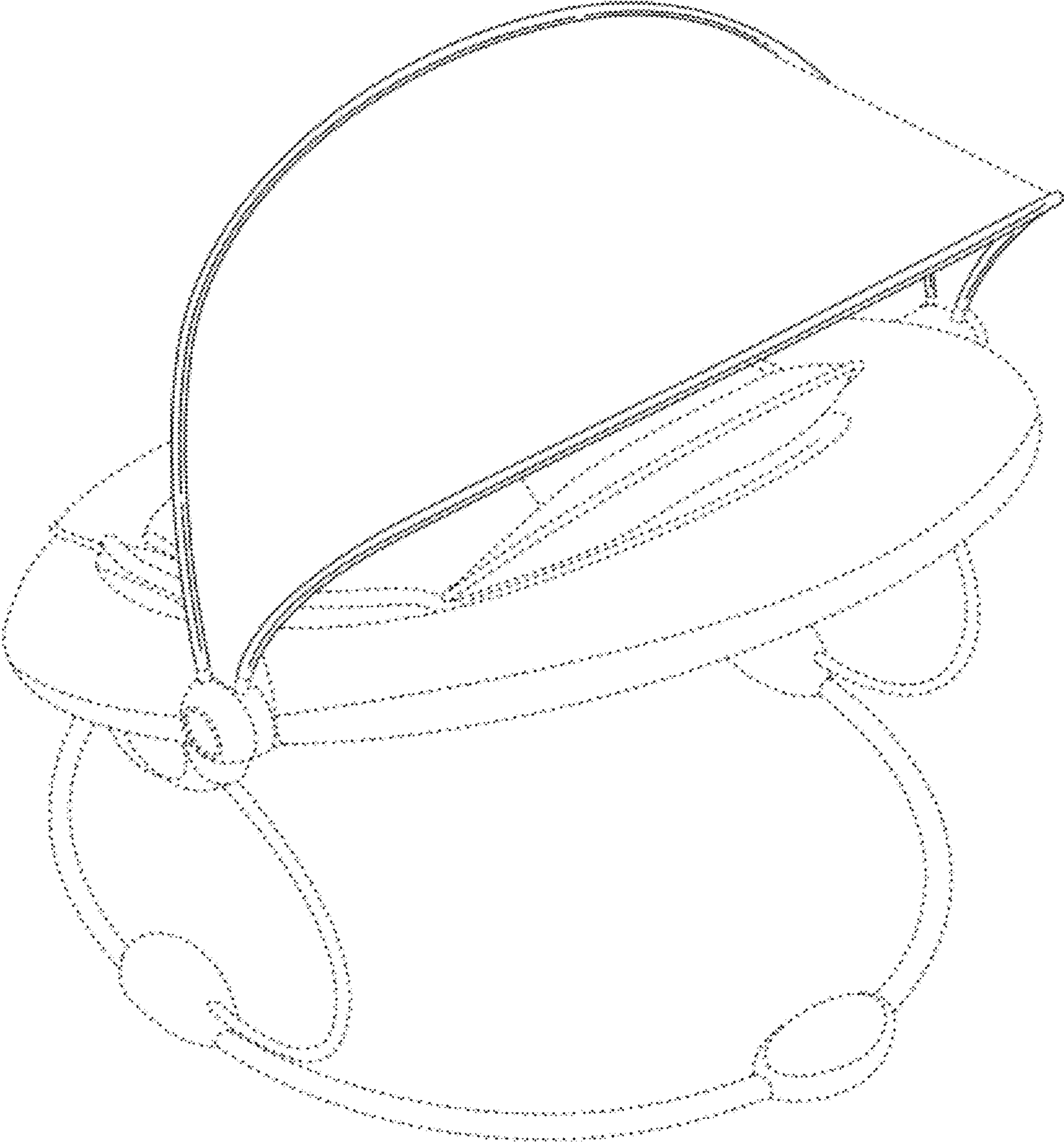


FIG. 2

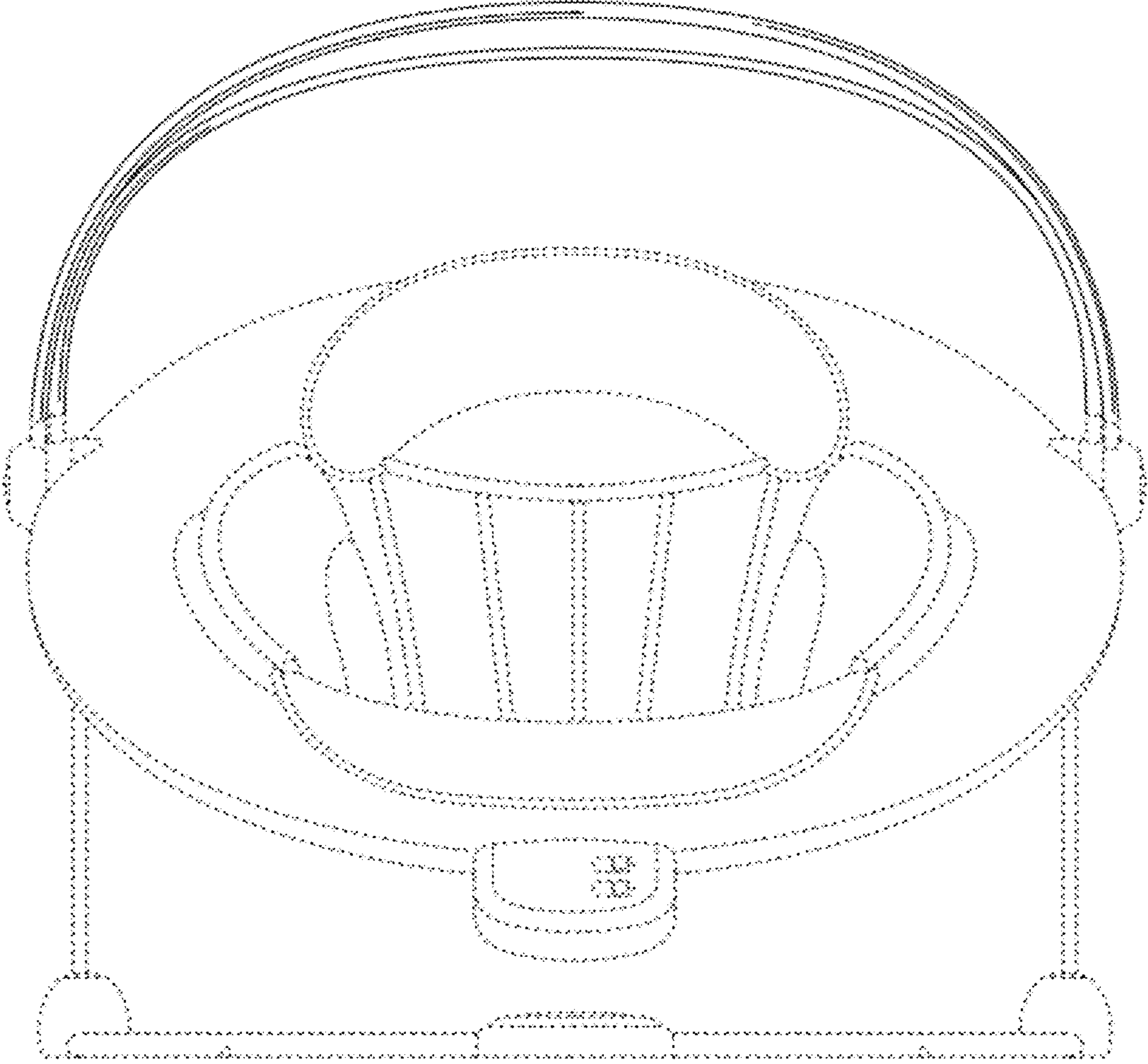


FIG. 3

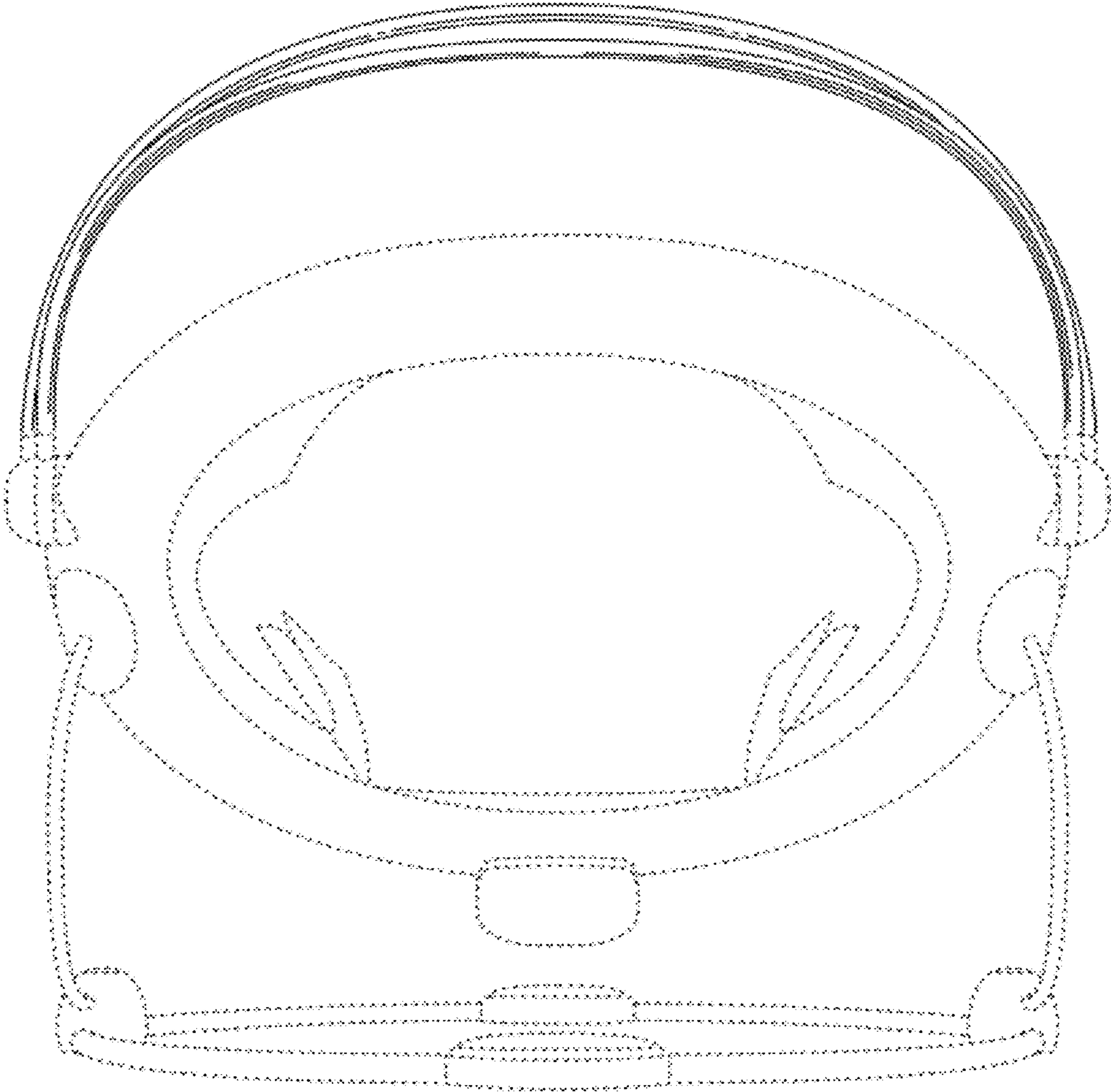


FIG. 4

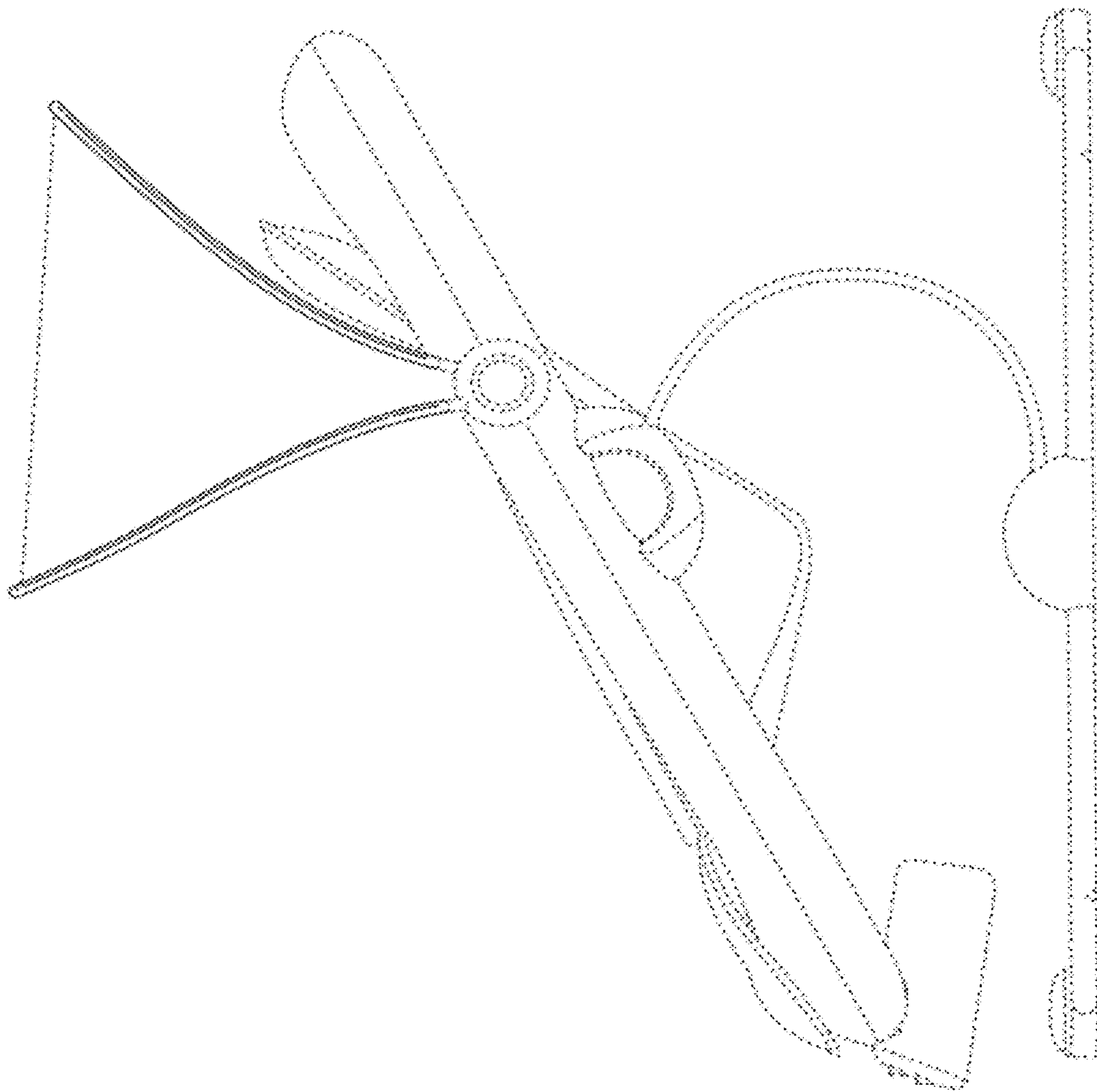


FIG. 5

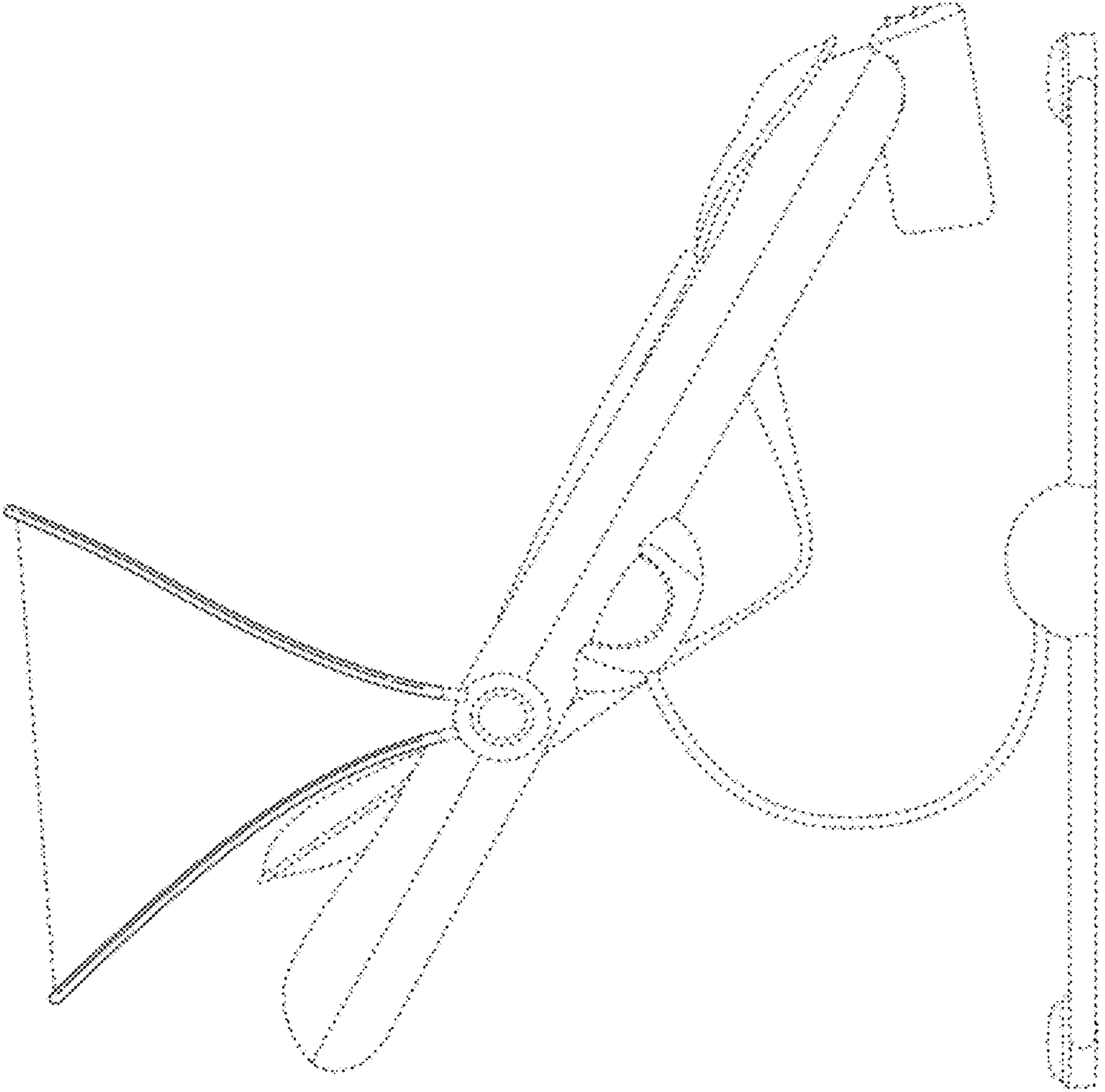


FIG. 6

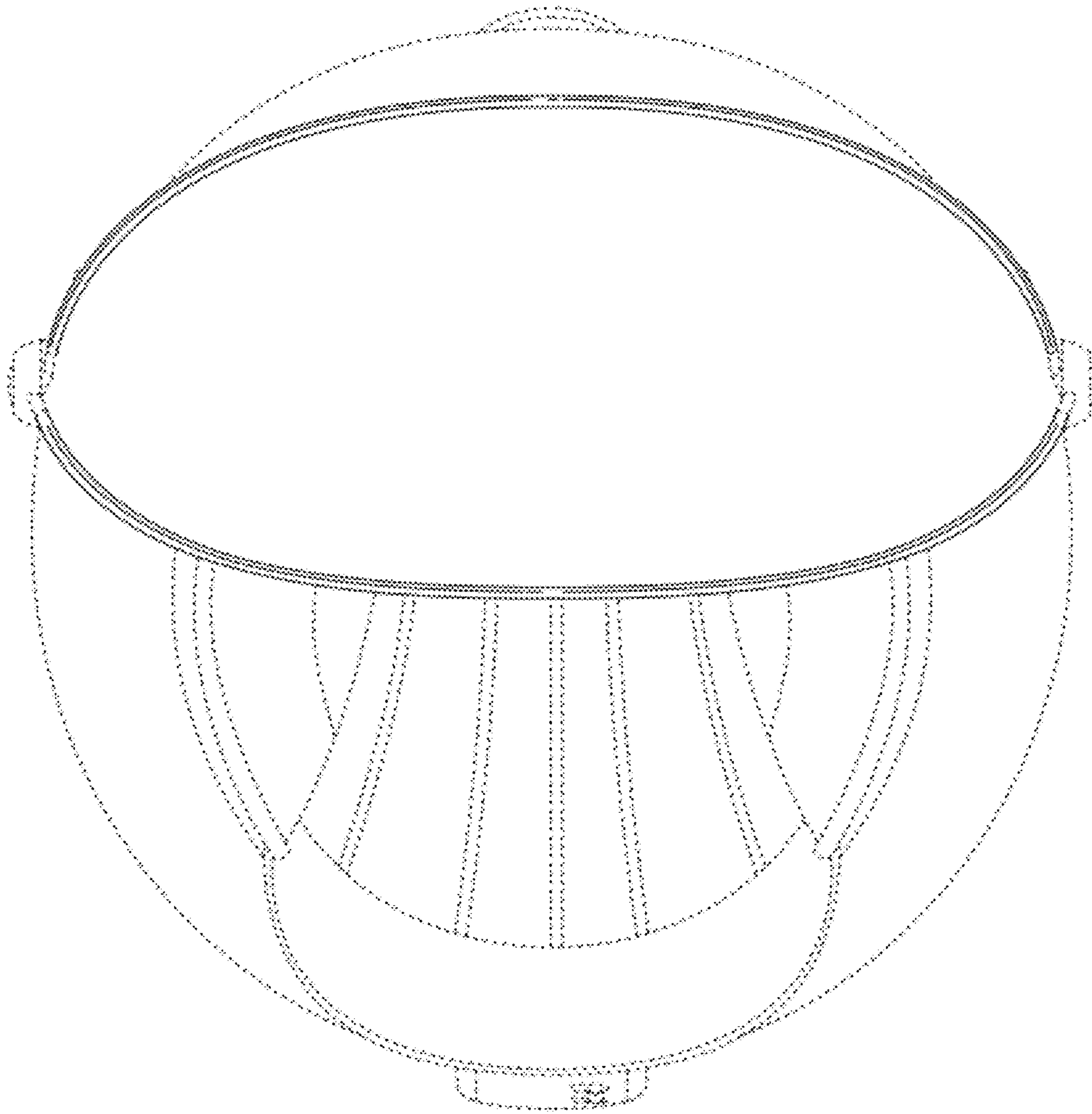


FIG. 7

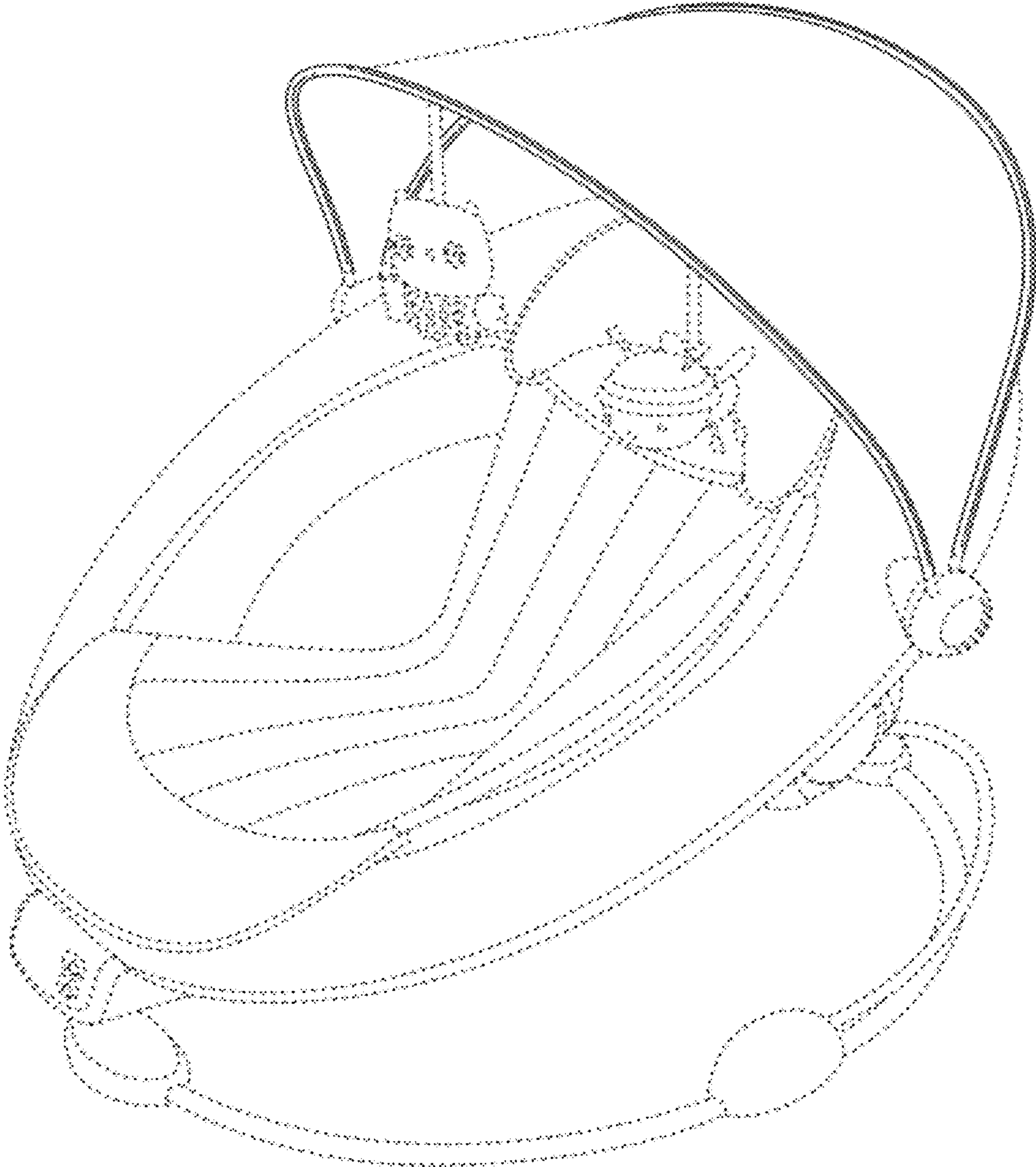


FIG. 8