



US00D655517S

(12) **United States Design Patent**
Chiu

(10) **Patent No.:** **US D655,517 S**
(45) **Date of Patent:** **** Mar. 13, 2012**

- (54) **DISPLAY**
- (75) Inventor: **Yi-Chung Chiu**, Taoyuan County (TW)
- (73) Assignee: **Hannspree, Inc.**, New Taipei (TW)
- (**) Term: **14 Years**
- (21) Appl. No.: **29/391,773**
- (22) Filed: **May 12, 2011**
- (51) **LOC (9) Cl.** **06-07**
- (52) **U.S. Cl.** **D6/308**
- (58) **Field of Classification Search** D6/300-314,
D6/450; D14/125-134, 371, 136, 239, 377,
D14/374; 312/7.2; D11/157; D20/23, 10-14;
D27/148; 40/5, 6, 700, 768, 717, 714, 721,
40/735; D10/15, 20, 21, 24, 75
See application file for complete search history.

- D558,161 S * 12/2007 Chu D14/126
- D558,697 S * 1/2008 Chu D14/126
- D591,980 S * 5/2009 Brinson et al. D6/450
- D593,447 S * 6/2009 Goldsmith D11/157
- D647,570 S * 10/2011 Kahn D20/23

* cited by examiner

Primary Examiner — Philip S Hyder
Assistant Examiner — Sydney Buffalow
 (74) *Attorney, Agent, or Firm* — Morris Manning & Martin
 LLP; Tim Tingkang Xia, Esq.

(56) **References Cited**

U.S. PATENT DOCUMENTS

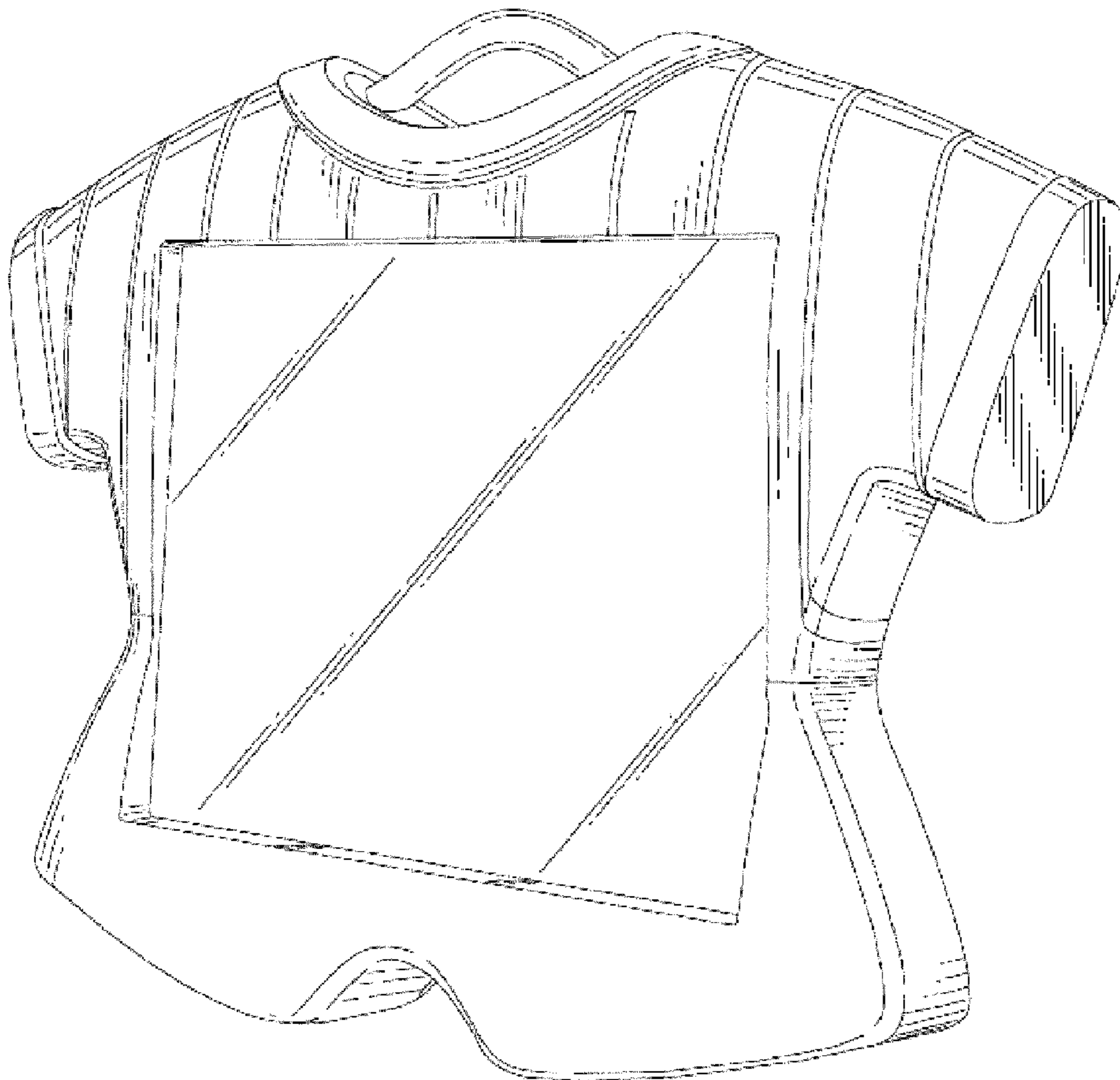
- D521,682 S * 5/2006 Chen D27/148
- D525,607 S * 7/2006 Chia D14/126
- D535,827 S * 1/2007 Kamioka D6/303
- D537,638 S * 3/2007 Kamioka D6/303

(57) **CLAIM**
 The ornamental design for a display, as shown and described.

DESCRIPTION

FIG. 1 is a front perspective view of a display showing my new design;
 FIG. 2 is a front elevational view thereof;
 FIG. 3 is a rear elevational view thereof;
 FIG. 4 is a left side elevational view thereof;
 FIG. 5 is a right side elevational view thereof;
 FIG. 6 is a top plan view thereof; and,
 FIG. 7 is a bottom plan view thereof.

1 Claim, 7 Drawing Sheets



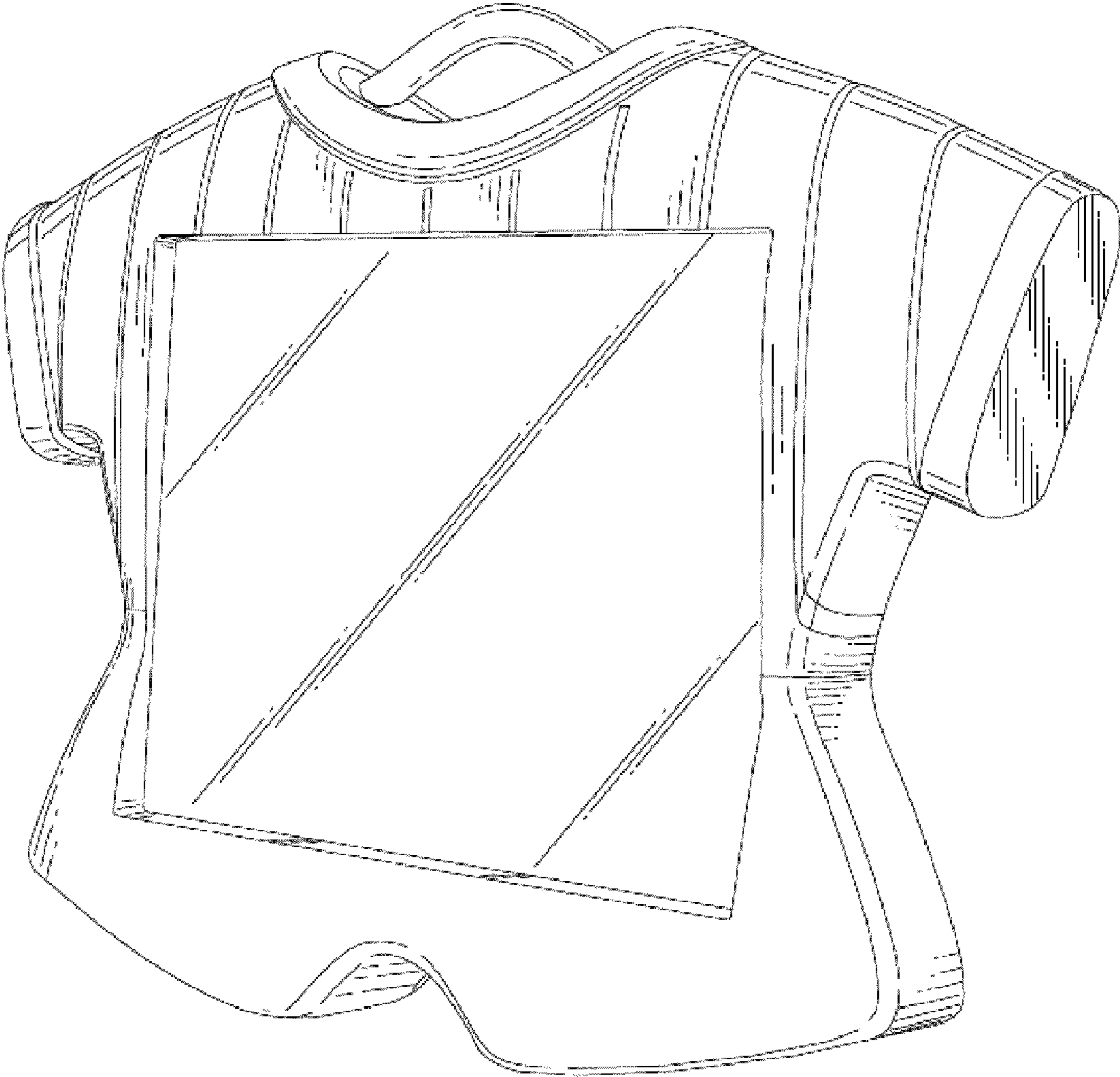


FIG. 1

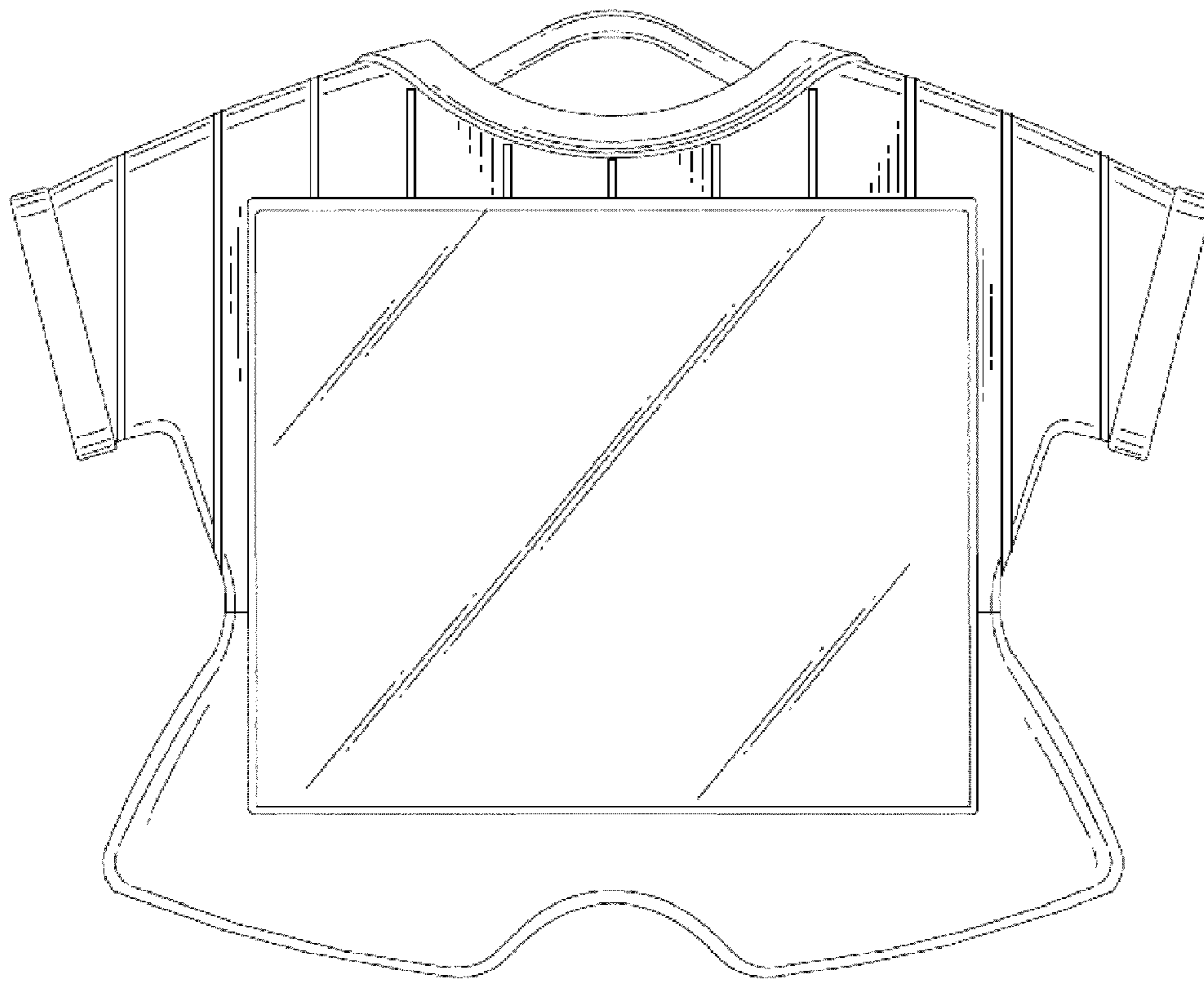


FIG. 2

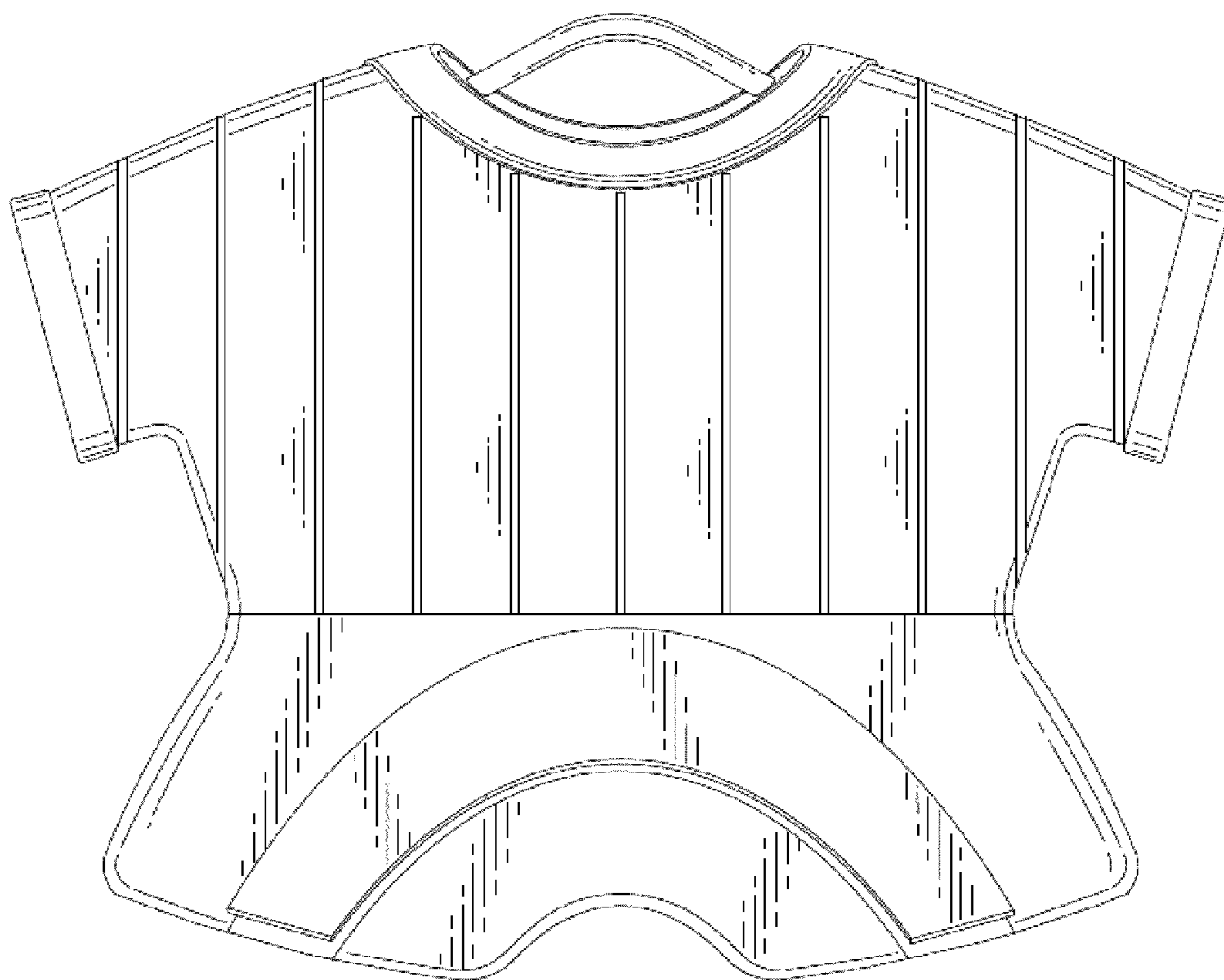


FIG. 3

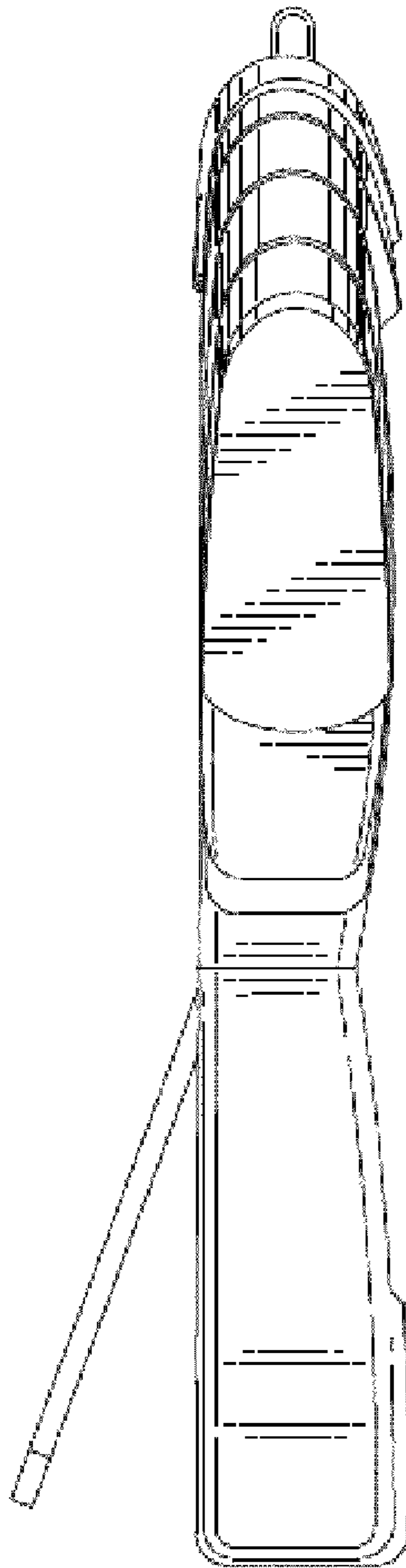


FIG. 4

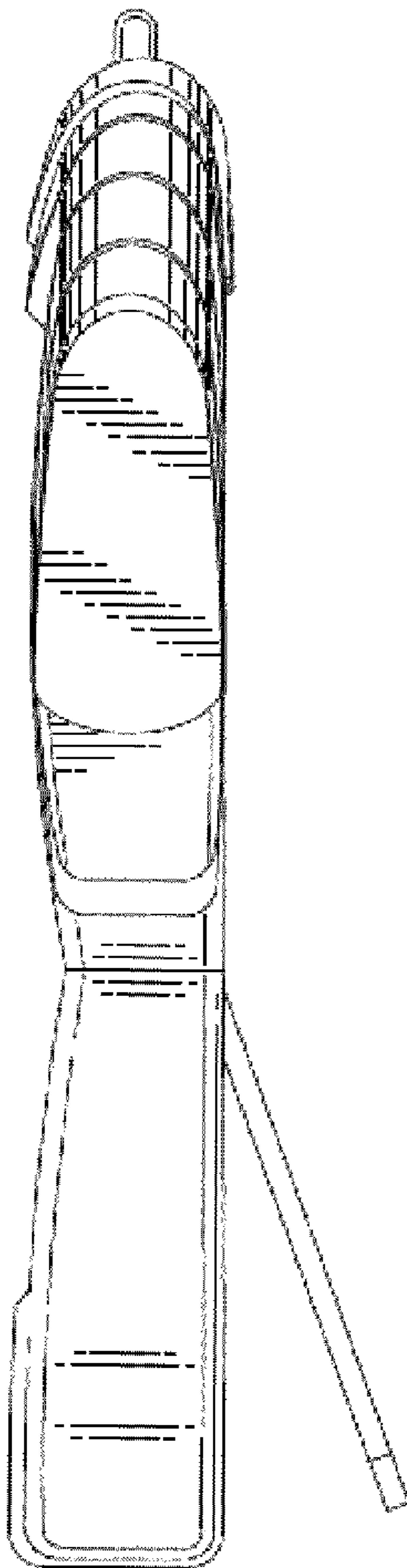


FIG. 5

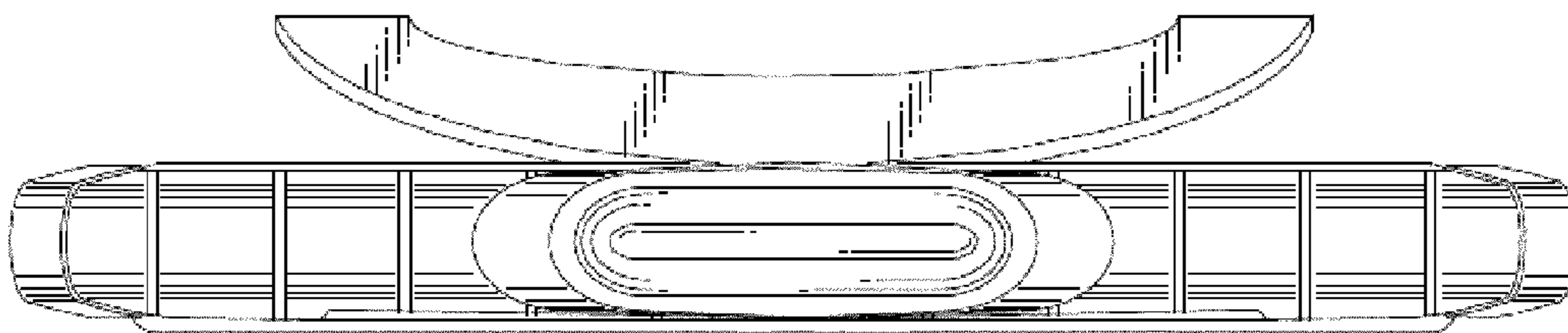


FIG. 6

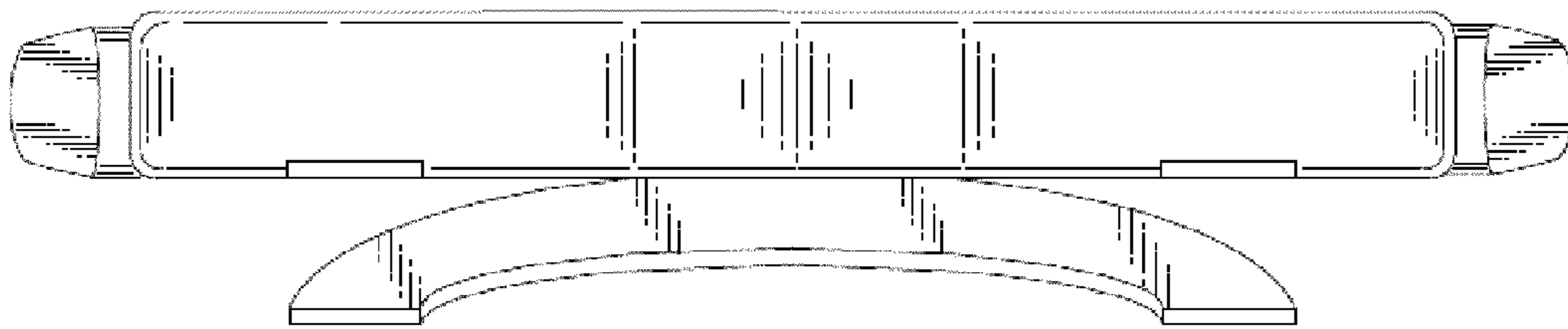


FIG. 7