



US00D655513S

(12) **United States Design Patent**
Neumann et al.

(10) **Patent No.:** **US D655,513 S**
(45) **Date of Patent:** **** Mar. 13, 2012**

(54) **FABRIC SWEEPER**

(56) **References Cited**

(75) Inventors: **Peter M. Neumann**, Racine, WI (US);
Jeremy F. Knopow, Racine, WI (US);
Raymond C. Sulin, Racine, WI (US);
Matthew J. Forst, Oak Creek, WI (US);
Nancy L. Broen, Racine, WI (US);
Eugene Placzkowski, Racine, WI (US);
Richard Graceffa, Racine, WI (US);
Sergio Reyes Salgado, Racine, WI (US);
David J. Prince, St. Paul, MN (US);
Aaron J. Munsinger, Elk Mound, WI
(US); **Robert G. Fehr**, Colfax, WI (US);
Milton W. Erickson, Merrilan, WI
(US); **Micah L. Maraia**, Menomonie,
WI (US); **Christopher Peterson**,
Chippewa Falls, WI (US); **Robert C.**
Martineau, Chippewa Falls, WI (US);
Scott A. Olson, Chippewa Falls, WI
(US)

U.S. PATENT DOCUMENTS

426,116 A 4/1890 Drew
894,011 A 7/1908 Kampfe
972,690 A 10/1910 Goble
2,460,183 A 1/1949 Mayer
2,651,803 A 9/1953 Browne
3,316,577 A 5/1967 Kravos
3,594,841 A 7/1971 Kieves
3,618,153 A 11/1971 Coult
3,629,892 A 12/1971 Smyth et al.
3,631,557 A 1/1972 Leifheit

(Continued)

FOREIGN PATENT DOCUMENTS

DE 69 10 003 U 7/1969

(Continued)

Primary Examiner — Austin Murphy

(73) Assignee: **S.C. Johnson & Son, Inc.**, Racine, WI
(US)

(57) **CLAIM**

The ornamental design for a fabric sweeper, as shown and described.

(**) Term: **14 Years**

DESCRIPTION

(21) Appl. No.: **29/394,832**

(22) Filed: **Jun. 22, 2011**

Related U.S. Application Data

(63) Continuation of application No. 12/984,741, filed on
Jan. 5, 2011.

(51) **LOC (9) Cl.** **04-01**

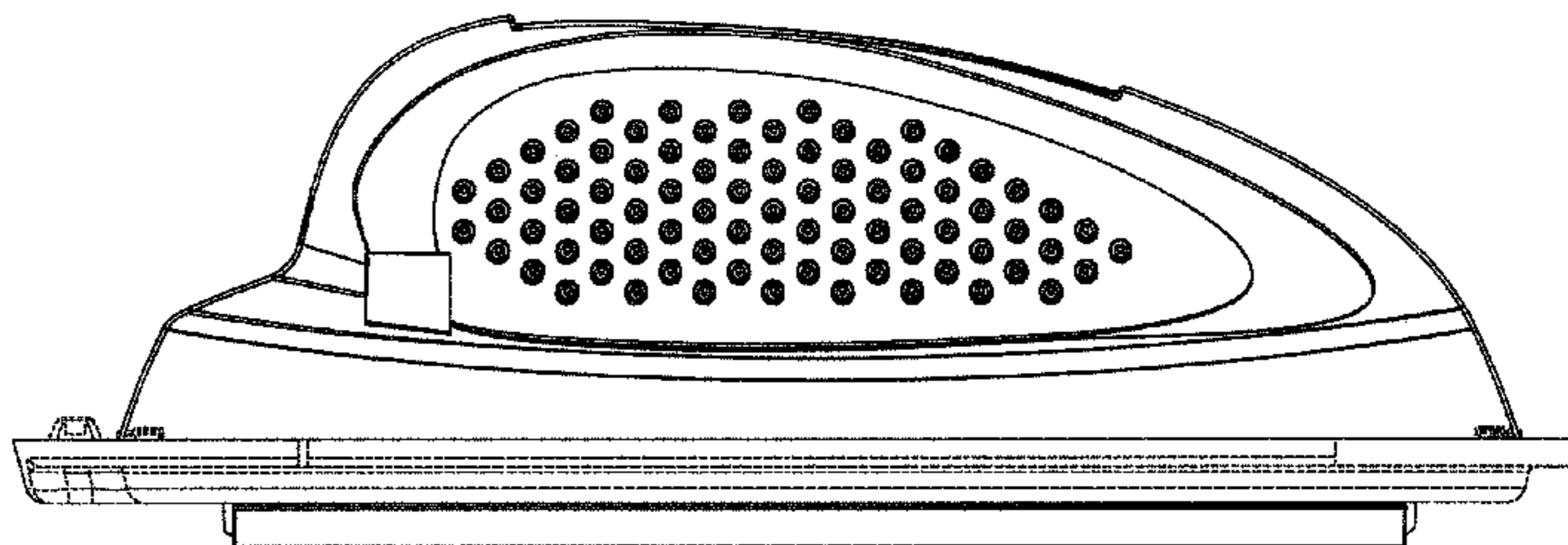
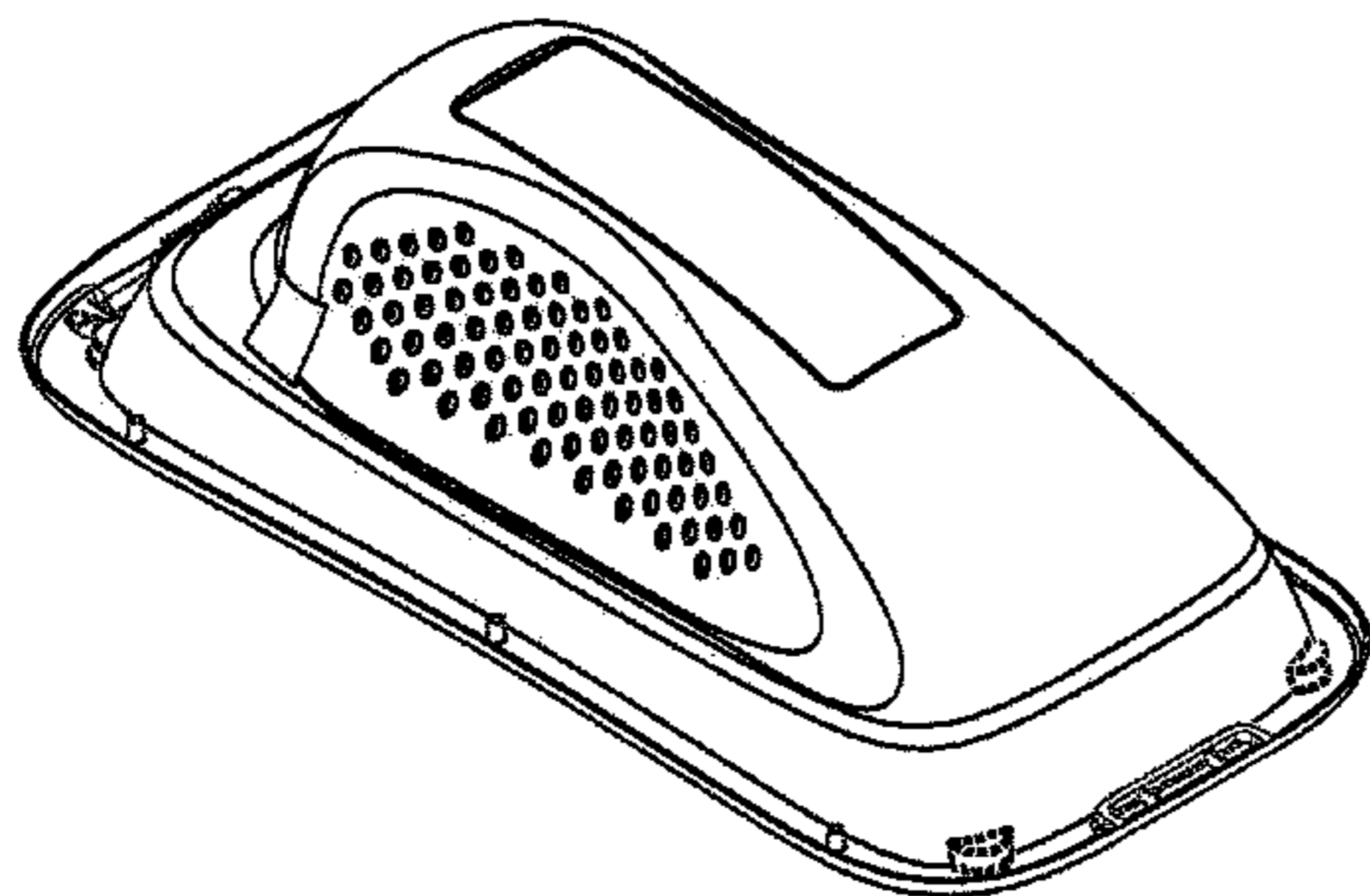
(52) **U.S. Cl.** **D4/137**

(58) **Field of Classification Search** D4/138,
D4/137, 130, 199; D32/40, 52, 35; D8/45,
D8/90, 94; D14/225; D19/53; 15/210.1,
15/210.5, 244.1, 104.93

See application file for complete search history.

FIG. 1 is an isometric view of a fabric sweeper, embodying a new design;
FIG. 2 is an end elevation view of the fabric sweeper of FIG. 1;
FIG. 3 is an opposite end elevation view of the fabric sweeper of FIG. 1;
FIG. 4 is a side elevation view of the fabric sweeper of FIG. 1;
FIG. 5 is an opposite side elevation view of the fabric sweeper of FIG. 1;
FIG. 6 is a top plan view of the fabric sweeper of FIG. 1; and,
FIG. 7 is a bottom plan view of the fabric sweeper of FIG. 1.
The broken lines shown in the drawings are for illustrative purposes only and form no part of the claimed design.

1 Claim, 7 Drawing Sheets



US D655,513 S

Page 2

U.S. PATENT DOCUMENTS

3,651,529	A	3/1972	Popeil et al.	
3,665,540	A	5/1972	Leifheit et al.	
3,747,152	A	7/1973	Tsuruzawa	
3,772,726	A	11/1973	Kupperman et al.	
3,774,257	A	11/1973	Smyth et al.	
3,842,459	A	10/1974	Tsuruzawa et al.	
3,863,285	A	2/1975	Hukuba	
3,871,047	A	3/1975	Kaburaki et al.	
3,879,788	A	4/1975	Cousin	
3,900,911	A	8/1975	Hayashi	
4,080,683	A	3/1978	Yi	
4,095,304	A	6/1978	Shinozaki et al.	
4,462,134	A	7/1984	Wang	
4,464,804	A	8/1984	Hopkins	
D283,124	S *	3/1986	Kolb	D14/225
4,596,059	A	6/1986	Lee	
4,742,594	A	5/1988	Chen	
4,765,012	A	8/1988	Ueda	
4,815,157	A	3/1989	Tsuchiya	
4,823,422	A	4/1989	Yoshimura et al.	
4,845,797	A	7/1989	Kobayashi	
4,864,674	A	9/1989	Hamilton	
D352,946	S *	11/1994	Nensel et al.	D14/225
5,664,276	A	9/1997	Arias	
5,666,689	A	9/1997	Andersen	
D394,958	S *	6/1998	Polzin et al.	D4/137
5,924,157	A	7/1999	Barela	
5,970,558	A	10/1999	Canavan et al.	
D439,715	S *	3/2001	Calvert	D32/52
6,463,616	B1	10/2002	Morokutti	
6,568,028	B2	5/2003	Putics et al.	
D486,307	S	2/2004	Rogers	
6,783,600	B2	8/2004	Tawara et al.	
6,845,538	B2	1/2005	Nakamura	
6,895,627	B1	5/2005	Lin	
6,912,753	B2	7/2005	Sin et al.	
6,968,587	B2	11/2005	Grey	
7,003,840	B2	2/2006	Tawara et al.	
7,013,521	B2	3/2006	Grey	
7,117,556	B2	10/2006	Grey	
7,134,160	B2	11/2006	Tawara et al.	
7,137,165	B2	11/2006	Shizuno et al.	
D547,954	S *	8/2007	Thurin et al.	D4/137
7,331,078	B2	2/2008	Grey	
7,334,284	B2	2/2008	Grey	
D563,676	S *	3/2008	Knopow	D4/137
D567,807	S *	4/2008	Bodley et al.	D14/225
D575,018	S *	8/2008	Knopow	D32/52

D591,468	S *	4/2009	Knopow	D32/35
7,571,509	B2	8/2009	Rosenzweig et al.	
7,665,422	B2	2/2010	Kissel	
D613,273	S *	4/2010	Liner et al.	D14/223
7,721,372	B2	5/2010	Knopow et al.	
D626,339	S *	11/2010	Knopow	D4/137
8,011,050	B2 *	9/2011	Knopow	15/27
D648,794	S *	11/2011	Yuan	D19/53
2003/0028982	A1	2/2003	Kress	
2003/0088928	A1	5/2003	Shizuno et al.	
2003/0167583	A1	9/2003	Shizuno et al.	
2004/0049869	A1	3/2004	Tarwara et al.	
2004/0143919	A1	7/2004	Wilder	
2005/0079315	A1	4/2005	Seth et al.	
2005/0193506	A1	9/2005	Dodson et al.	
2006/0000040	A1	1/2006	Grey et al.	
2006/0265824	A1	11/2006	Knopow	
2006/0277706	A1	12/2006	Clark et al.	
2007/0202768	A1	8/2007	Haskett et al.	
2007/0220691	A1	9/2007	McKay	
2008/0040874	A1	2/2008	McKay	
2008/0041416	A1	2/2008	Mathews et al.	
2008/0052849	A1	3/2008	McKay	
2008/0052854	A1	3/2008	McKay	
2008/0115803	A1	5/2008	Tuman et al.	
2009/0097902	A1	4/2009	Lemmon	

FOREIGN PATENT DOCUMENTS

DE	19 41 838	A1	2/1971
DE	20 31 696	A1	12/1971
DE	23 22 074	A1	11/1973
FR	1 444 493		7/1966
GB	1114881		5/1968
GB	2187377	A	9/1987
GB	2257620	A	1/1993
JP	63 216506	A	9/1988
JP	20 26527		1/1990
JP	8-25892		1/1996
WO	WO8301734		5/1983
WO	WO02091901		11/2002
WO	WO03007776		1/2003
WO	WO03015601		2/2003
WO	WO03015602		2/2003
WO	WO03041558		5/2003
WO	WO2005011457		4/2005
WO	WO2006010140		1/2006
WO	WO2006130216	A1	12/2006
WO	WO2008063925		5/2008

* cited by examiner

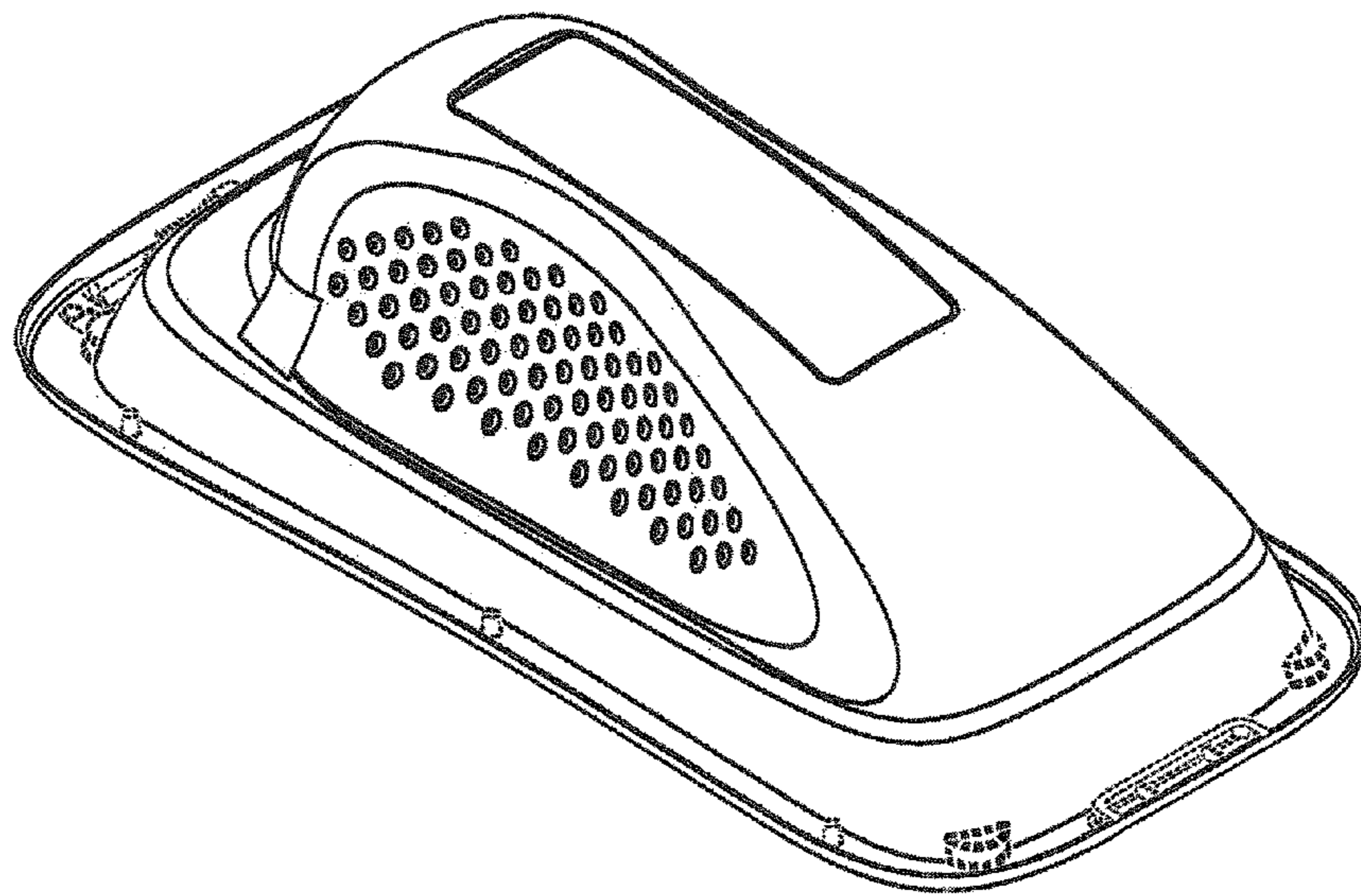


FIG. 1

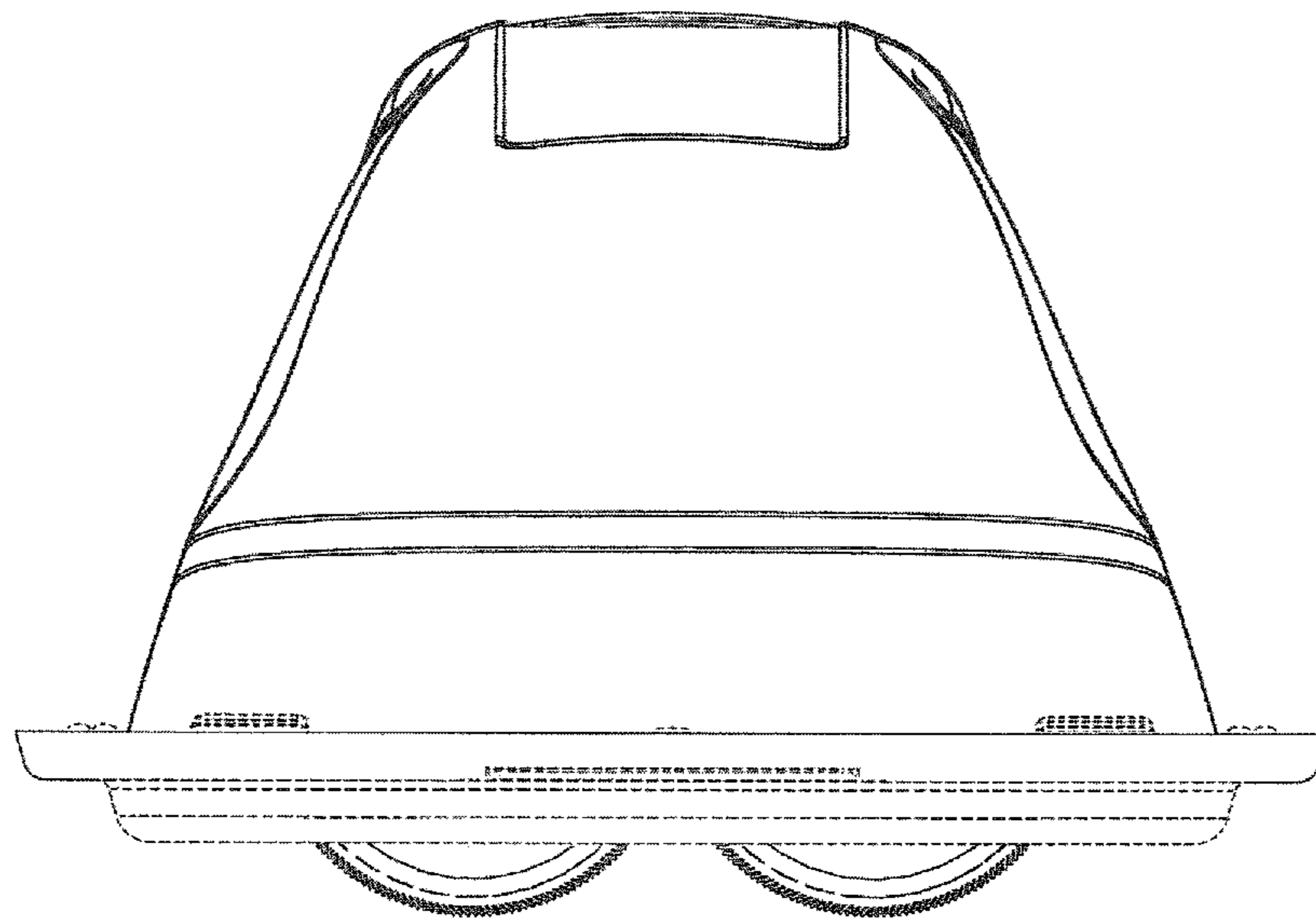


FIG. 2

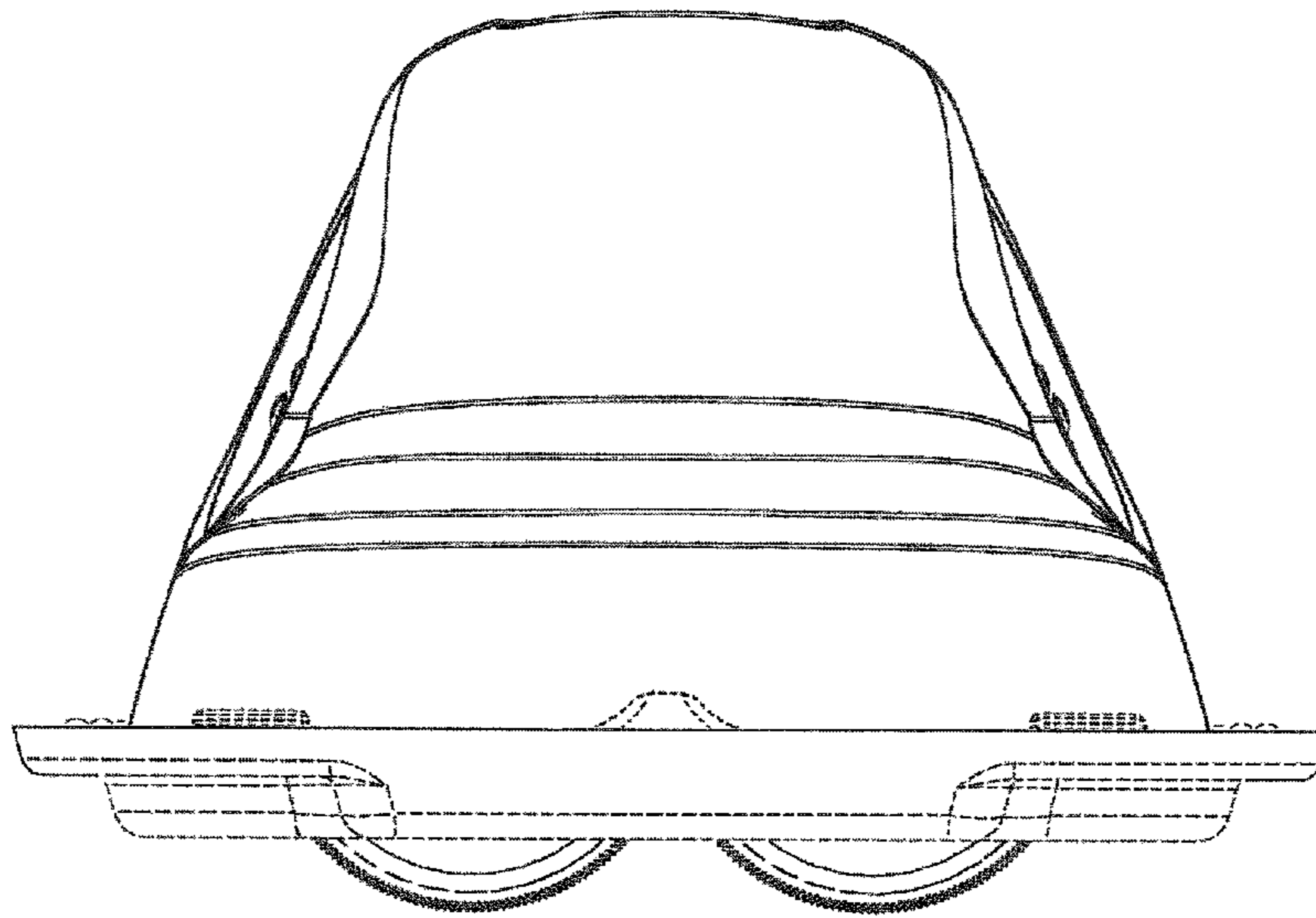


FIG. 3

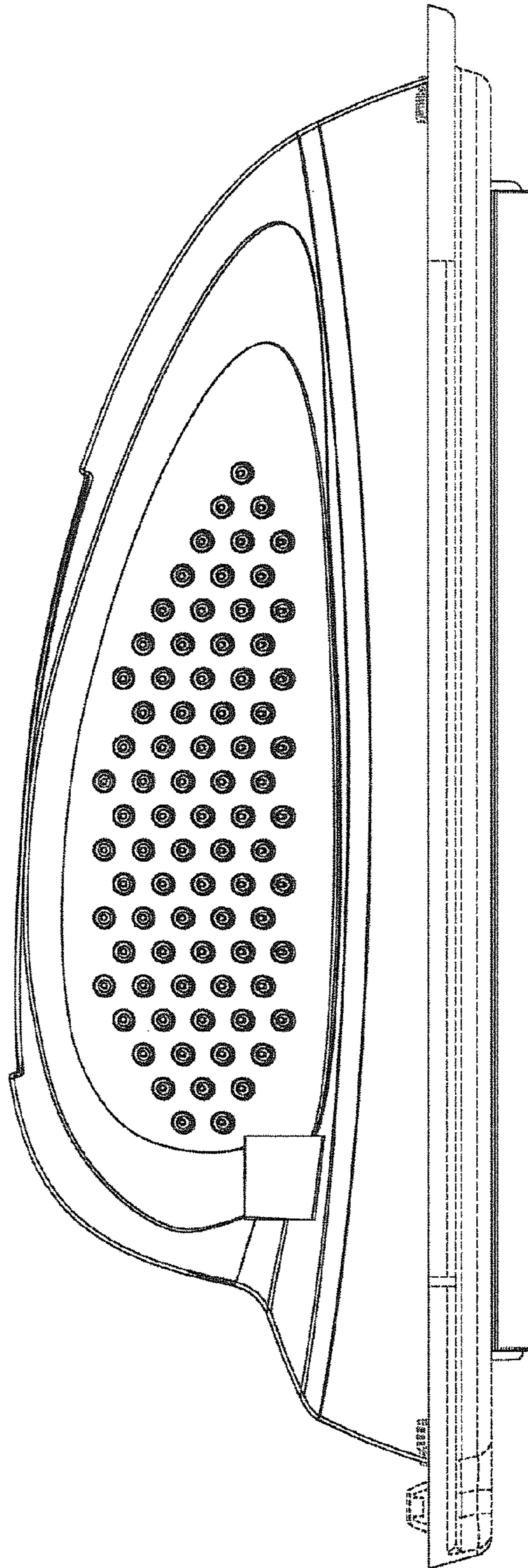


FIG. 4

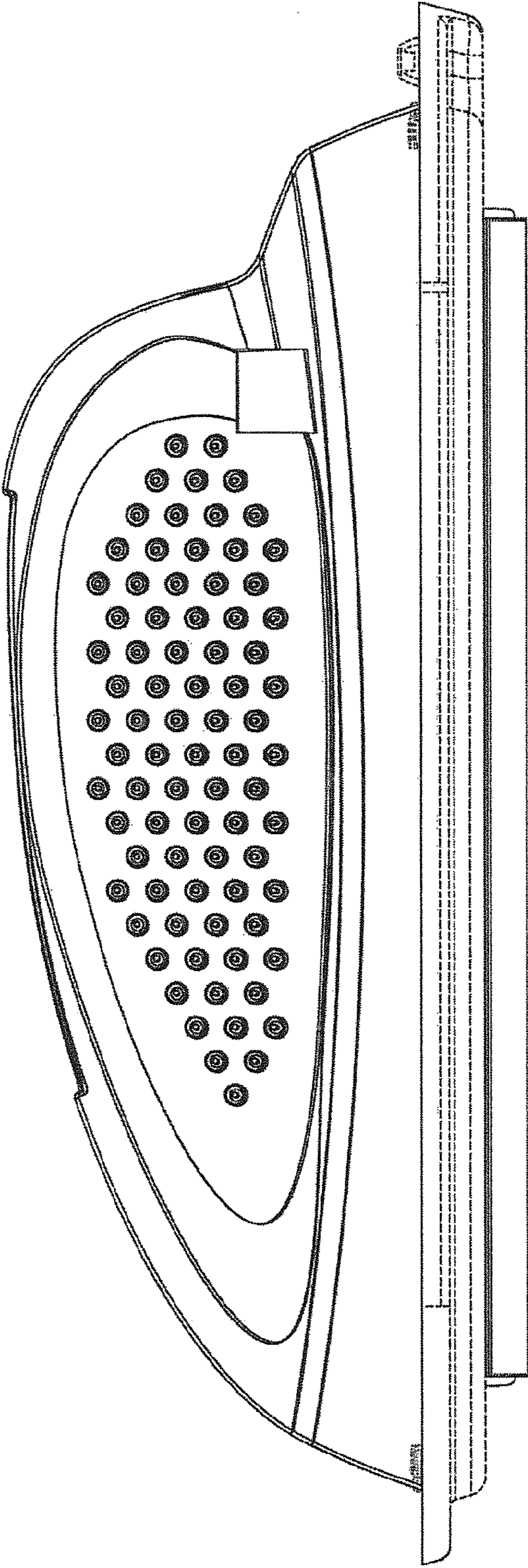


FIG. 5

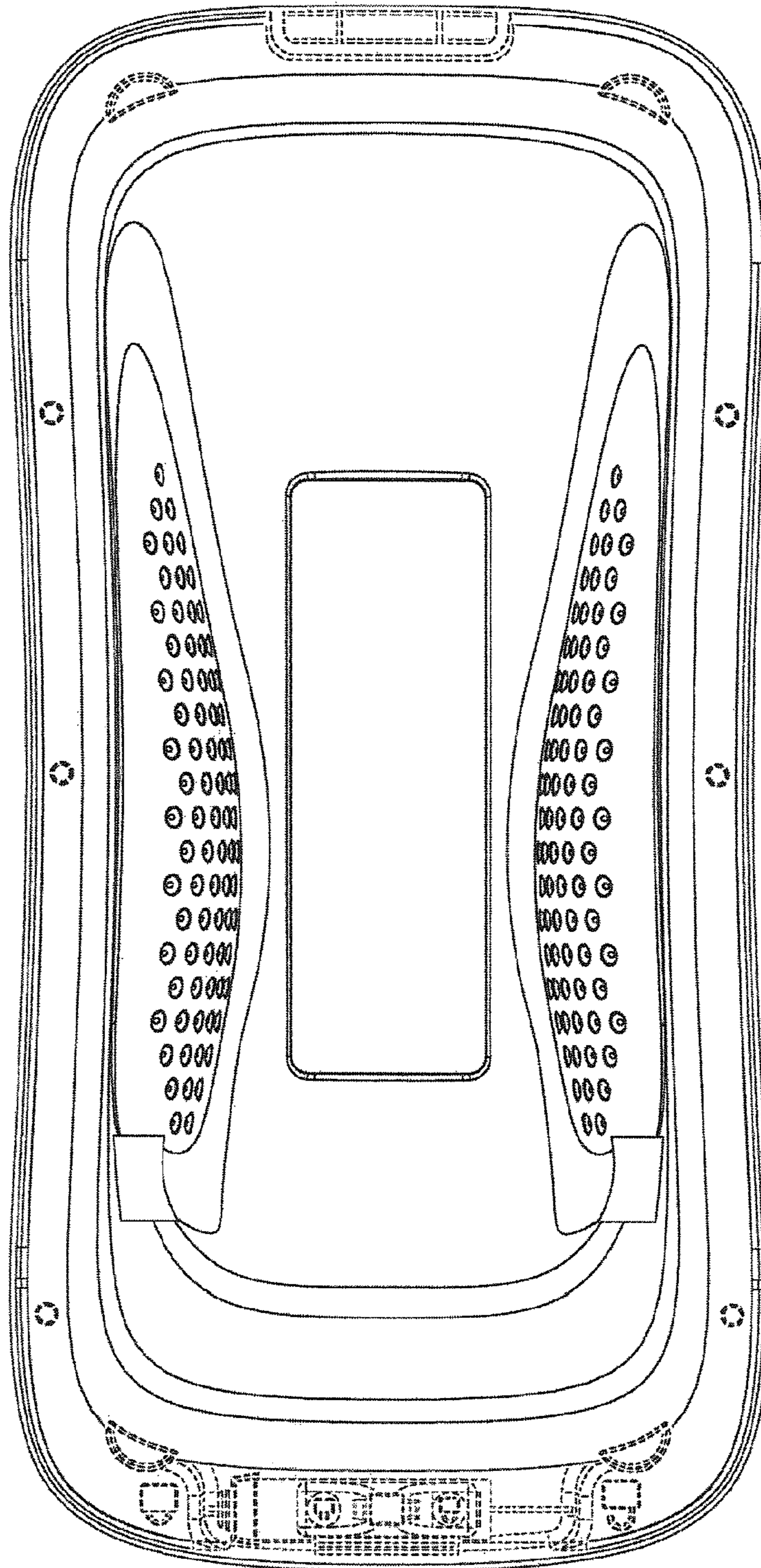


FIG. 6

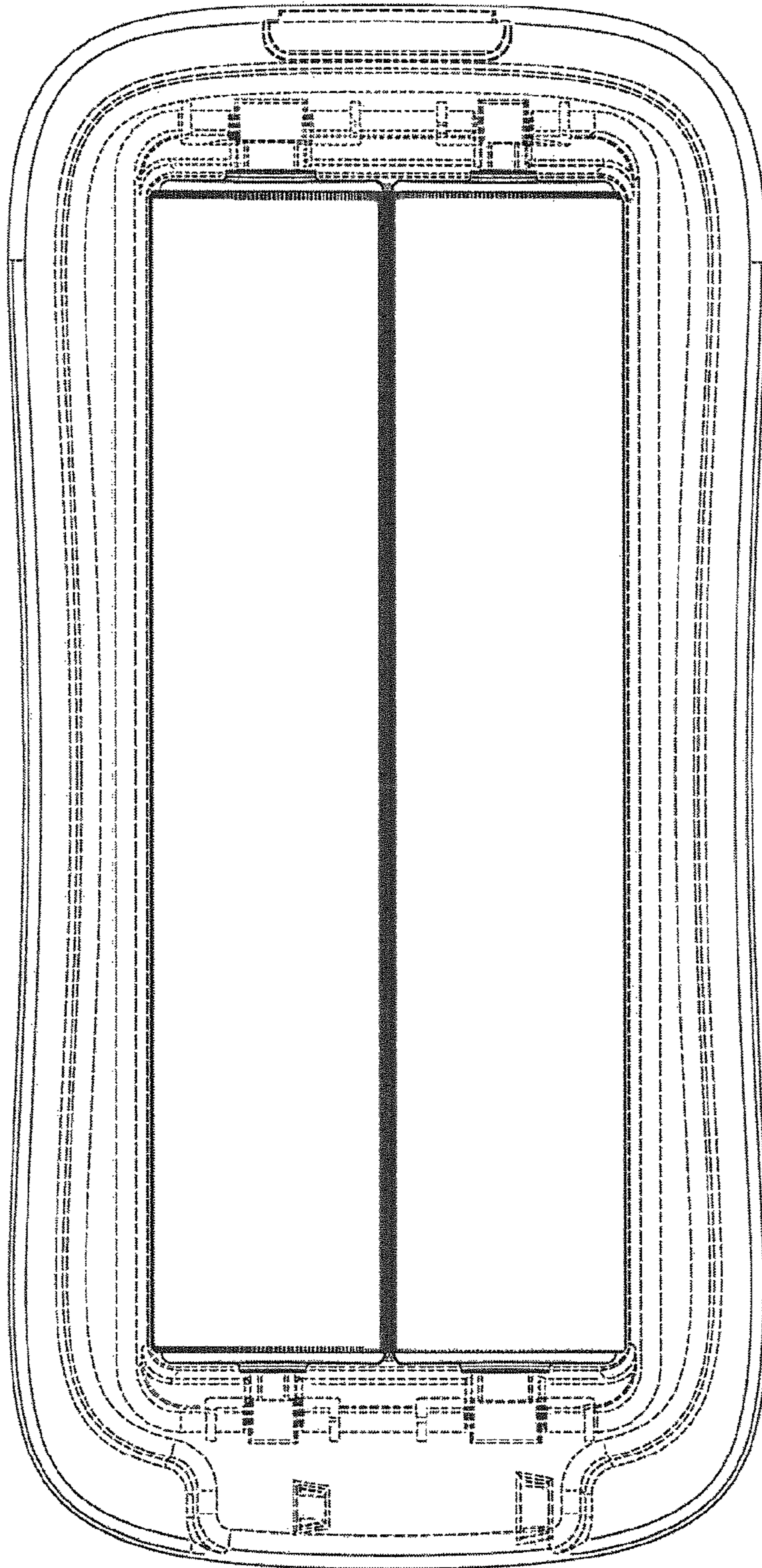


FIG. 7