



US00D655512S

(12) **United States Design Patent**
Pope

(10) **Patent No.:** **US D655,512 S**
(45) **Date of Patent:** **** Mar. 13, 2012**

(54) **BRUSH HEAD**

(75) Inventor: **Gisele Pope**, Boise, ID (US)

(73) Assignee: **Loew-Cornell, LLC**, Erlanger, KY (US)

(**) Term: **14 Years**

(21) Appl. No.: **29/403,486**

(22) Filed: **Oct. 6, 2011**

(51) **LOC (9) Cl.** **04-02**

(52) **U.S. Cl.** **D4/135**

(58) **Field of Classification Search** D4/100,
D4/102, 114, 135, 116, 121, 127; 15/21.1,
15/22.1, 23, 24, 28, 29, 191.1, 192, 193,
15/194, 166, 168, 171, 175, 176.1; 132/218,
132/217; D28/7, 57

See application file for complete search history.

(56) **References Cited**

U.S. PATENT DOCUMENTS

D29,780	S	*	12/1898	Sulzberger	D4/135
D30,616	S	*	4/1899	Bentzinger	D4/135
D258,240	S	*	2/1981	Takada et al.	D4/135
5,195,546	A	*	3/1993	Cansler et al.	132/317
6,026,824	A	*	2/2000	Gueret	132/218
D436,449	S	*	1/2001	Baltierra	D4/135
D450,931	S	*	11/2001	Mink et al.	D4/135
D463,136	S	*	9/2002	Mink	D4/135
D479,918	S	*	9/2003	Mink	D4/135

D480,218	S	*	10/2003	Mink	D4/135
7,159,950	B2	*	1/2007	Young-Chul	300/21
D558,981	S	*	1/2008	Dovellos	D4/135
D558,982	S	*	1/2008	Dovellos	D4/135
D559,548	S	*	1/2008	Dovellos	D4/135
D573,350	S	*	7/2008	Rivas	D4/135
D580,177	S	*	11/2008	Louis-Jeune	D4/121
D591,512	S	*	5/2009	Mongeon et al.	D4/127
D625,522	S	*	10/2010	Riaz	D4/135
D628,392	S	*	12/2010	Genatossio et al.	D4/135
D630,437	S	*	1/2011	Carey	D4/116
D632,083	S	*	2/2011	Vilain et al.	D4/100
D635,774	S	*	4/2011	Butts et al.	D4/100

* cited by examiner

Primary Examiner — Austin Murphy

(74) *Attorney, Agent, or Firm* — Michael J. Corrigan

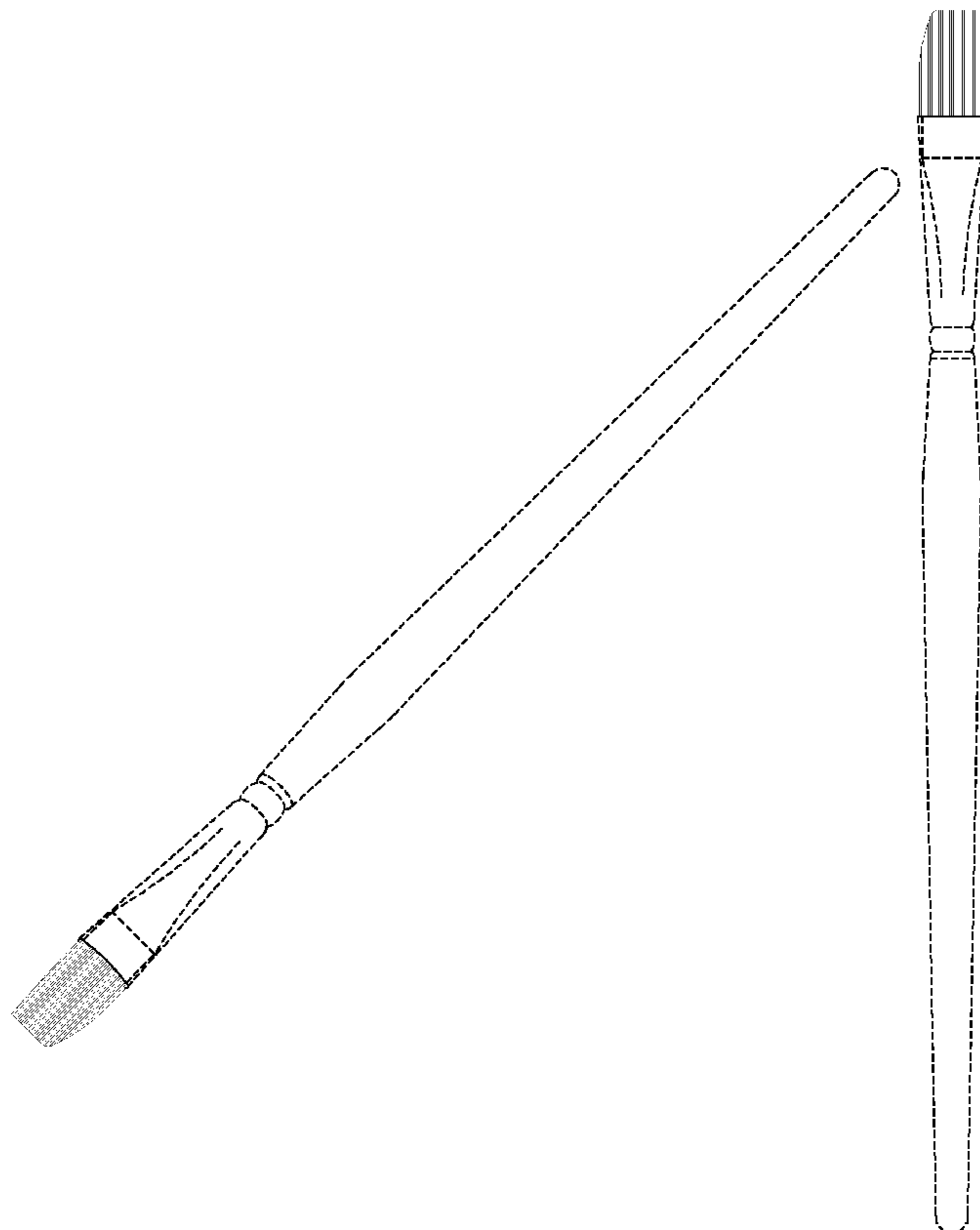
(57) **CLAIM**

The ornamental design for the brush head, as shown and described.

DESCRIPTION

FIG. 1 is a front right perspective view of the brush head;
FIG. 2 is a top view thereof;
FIG. 3 is a left side view thereof;
FIG. 4 is a front view thereof with the rear view being a
reverse mirror image thereof; and,
FIG. 5 is a right side view thereof.
The broken lines in the drawings are for illustrative purposes
only and form no part of the claimed design.

1 Claim, 2 Drawing Sheets



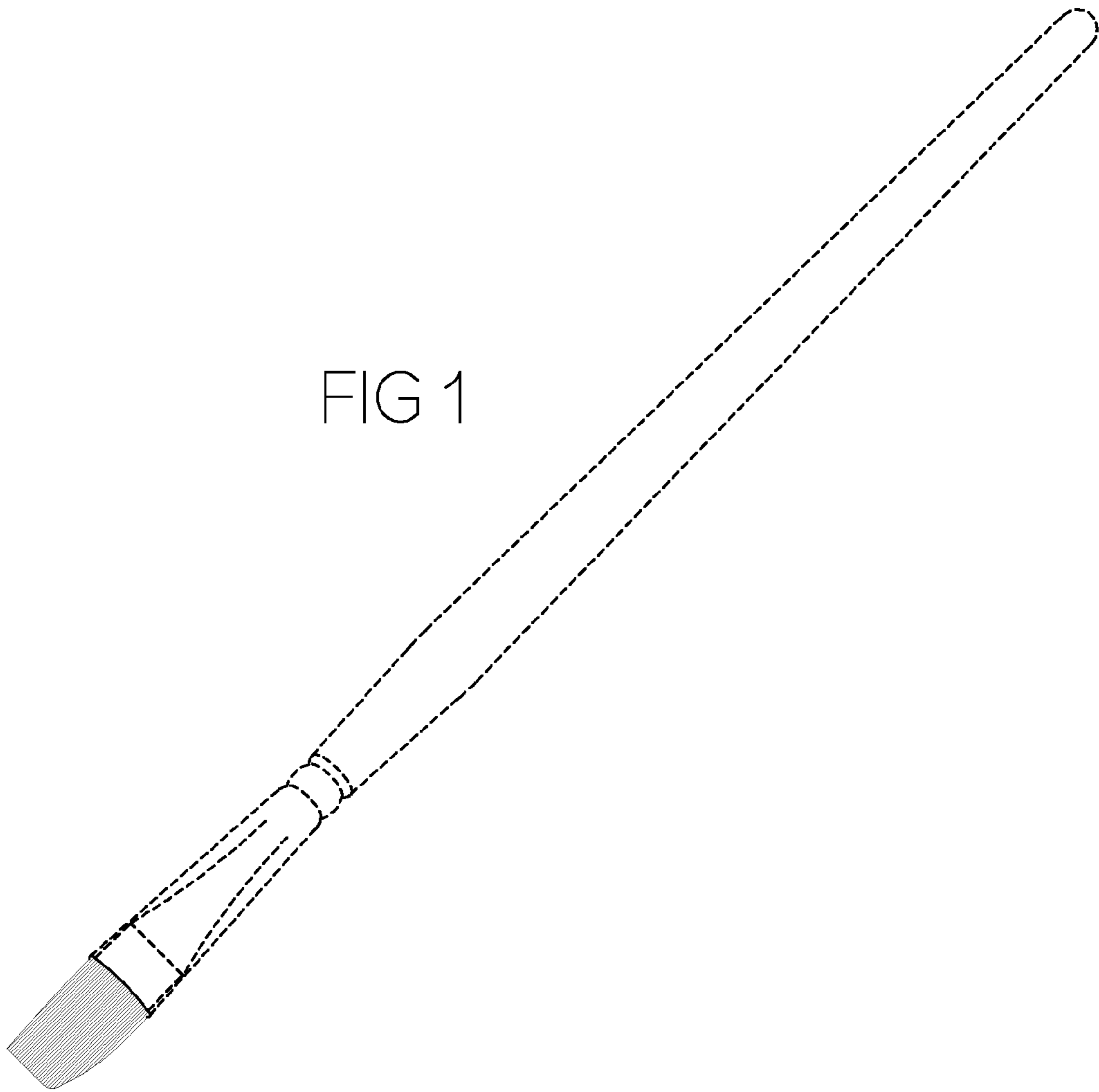


FIG 1



FIG 2

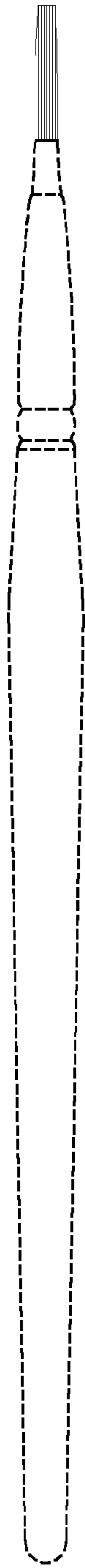


FIG 3

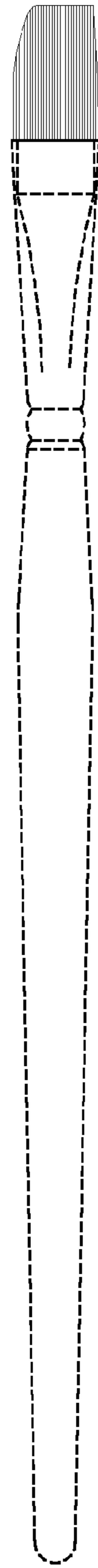


FIG 4

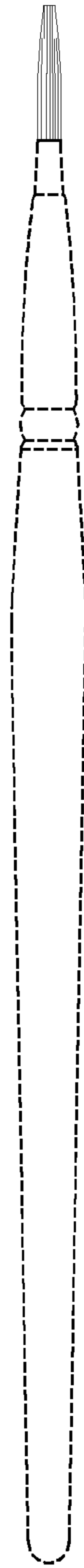


FIG 5