



US00D655507S

(12) **United States Design Patent**  
**Alcorn et al.**

(10) **Patent No.:** **US D655,507 S**  
(45) **Date of Patent:** **\*\* Mar. 13, 2012**

(54) **TRAVELER'S TOTE**

(76) Inventors: **Robert F. Alcorn**, Athens, AL (US);  
**Gary N. James**, Falkville, AL (US)

(\*\*) Term: **14 Years**

(21) Appl. No.: **29/374,179**

(22) Filed: **Jul. 11, 2011**

(51) **LOC (9) Cl.** ..... **03-01**

(52) **U.S. Cl.** ..... **D3/312**

(58) **Field of Classification Search** ..... D3/205,  
D3/233, 304-307, 310-312, 313-315; D34/12-27;  
D6/445-446, 448-449; 190/109-115; 312/350  
See application file for complete search history.

D604,022	S	*	11/2009	Abel et al.	.....	D34/17
D607,172	S	*	12/2009	Catron	.....	D34/14
D621,569	S	*	8/2010	Linnell, Jr.	.....	D34/19
D624,724	S	*	9/2010	Uhl et al.	.....	D34/17
D625,895	S	*	10/2010	Musi	.....	D34/24
D642,764	S	*	8/2011	Elden	.....	D34/24
2002/0005372	A1		1/2002	Cook et al.		
2005/0218033	A1		10/2005	Curtis		

\* cited by examiner

*Primary Examiner* — Elizabeth Albert

*Assistant Examiner* — Kelley Donnelly

(74) *Attorney, Agent, or Firm* — Richard L. Miller

(57) **CLAIM**

The ornamental design for a traveler's tote, as shown and described.

**DESCRIPTION**

FIG. 1 is a left front top perspective view of a traveler's tote showing my new design.

FIG. 2 is a top plan view thereof;

FIG. 3 is a bottom plan view thereof;

FIG. 4 is a rear elevational view thereof;

FIG. 5 is a front elevational view thereof;

FIG. 6 is a left side elevational view thereof;

FIG. 7 is a right side elevational view thereof; and,

FIG. 8 is a cross section view taken on line 8-8 in FIG. 1.

It is to be understood that any portion of any figure shown in broken lines are for environmental purposes only and form no part of the claimed design; and

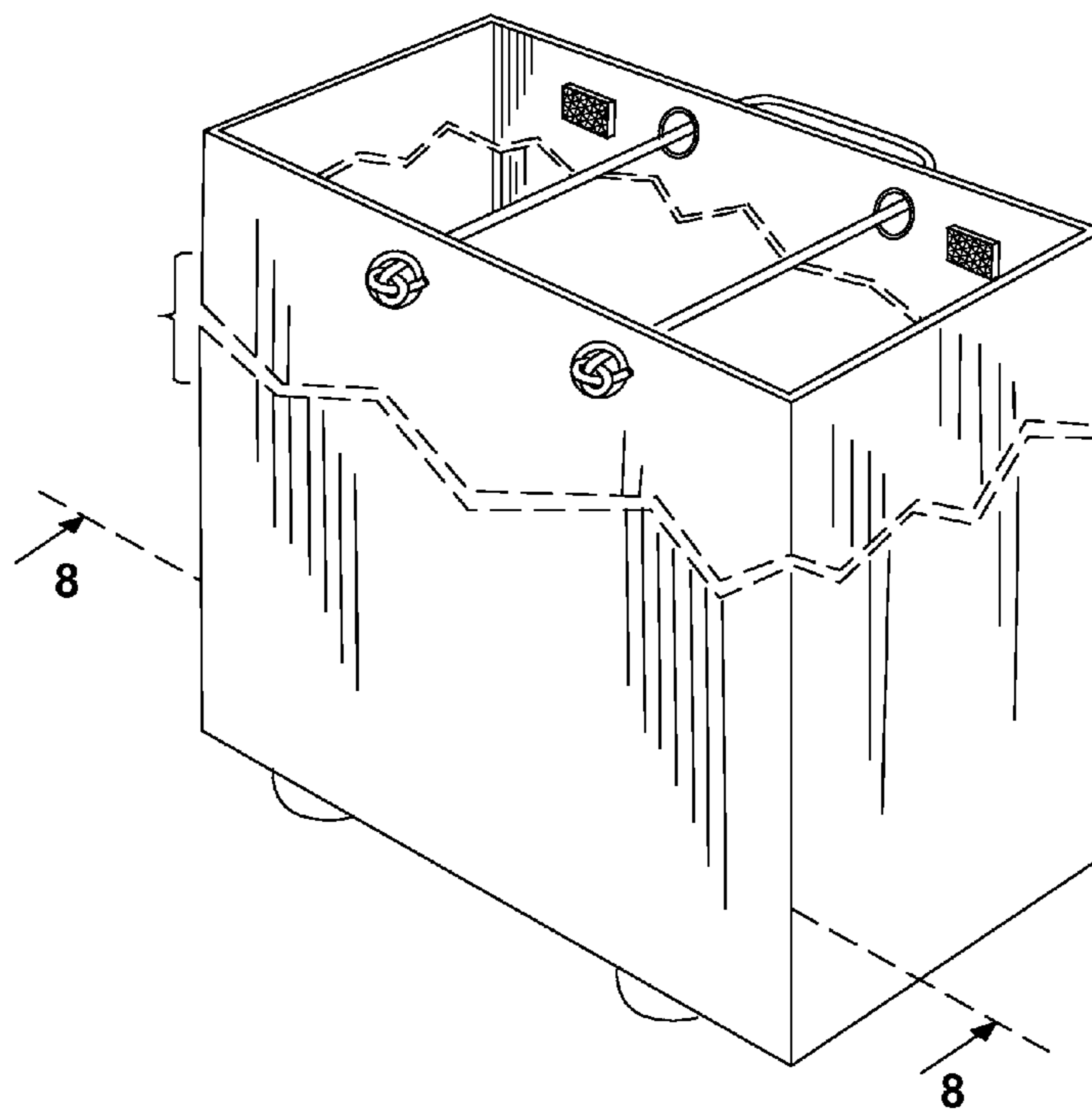
The broken away portion of the design embraced by a bracket indicates that no particular length is claimed.

(56) **References Cited**

**U.S. PATENT DOCUMENTS**

D292,135	S	*	9/1987	Grube et al.	.....	D34/24
4,718,524	A		1/1988	Crumley		
D323,051	S	*	1/1992	Baggott	.....	D34/19
D328,184	S	*	7/1992	Krugman	.....	D3/285
D336,706	S	*	6/1993	Lechman et al.	.....	D34/20
D355,289	S	*	2/1995	Schafer	.....	D34/1
5,465,438	A	*	11/1995	Allman et al.	.....	4/626
D375,835	S	*	11/1996	Christopher et al.	.....	D3/289
D383,581	S	*	9/1997	Ordonez	.....	D34/5
5,881,788	A		3/1999	Hersh et al.		
6,000,509	A		12/1999	Chisholm		
D440,369	S	*	4/2001	LaFollette et al.	.....	D34/19
6,491,074	B1		12/2002	Roegner		
D468,881	S	*	1/2003	Cox	.....	D34/19
6,523,653	B2		2/2003	Roegner		
D548,920	S	*	8/2007	Kinsley et al.	.....	D34/27
D557,870	S	*	12/2007	MacMillan	.....	D34/14

**1 Claim, 6 Drawing Sheets**



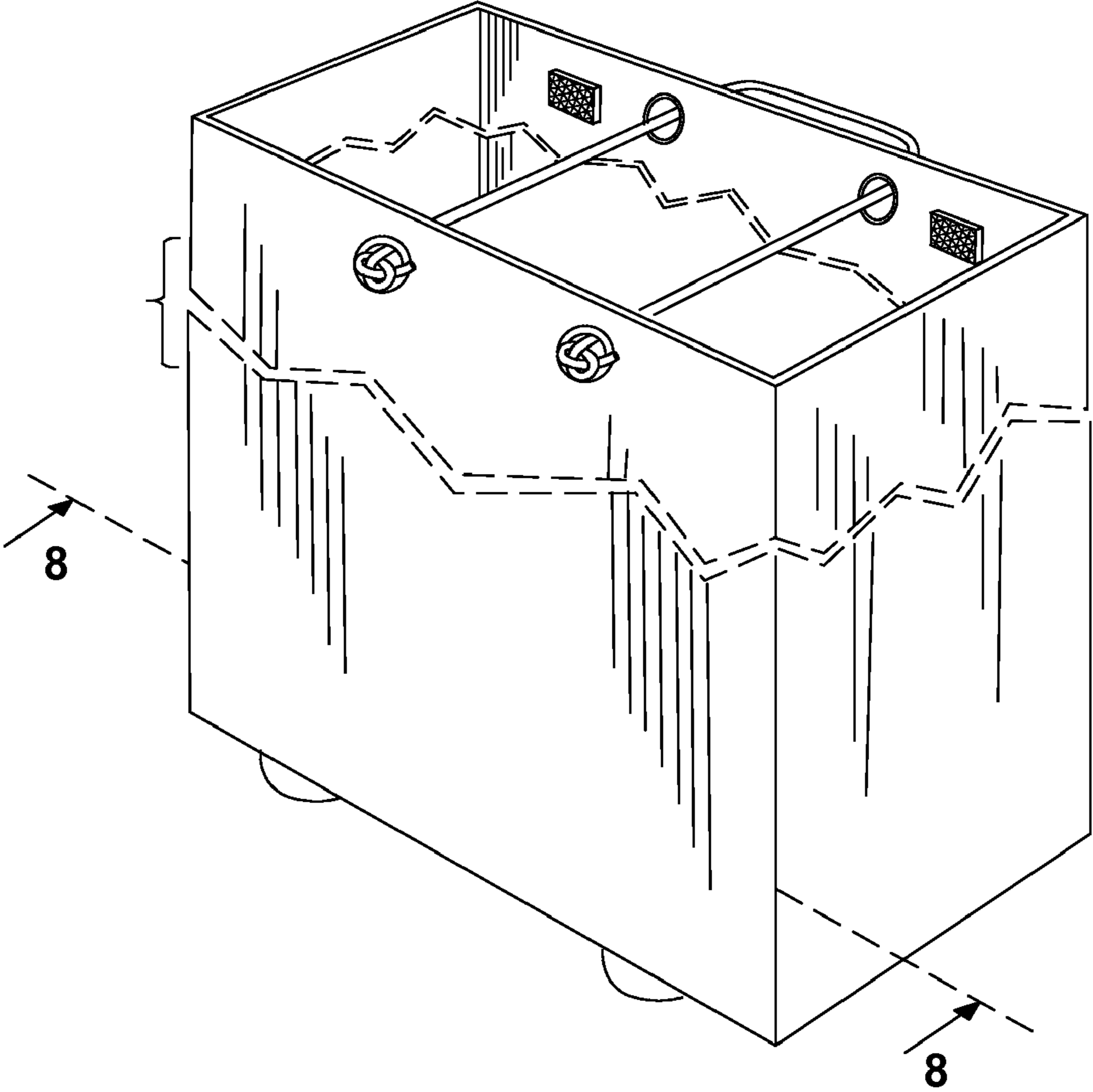
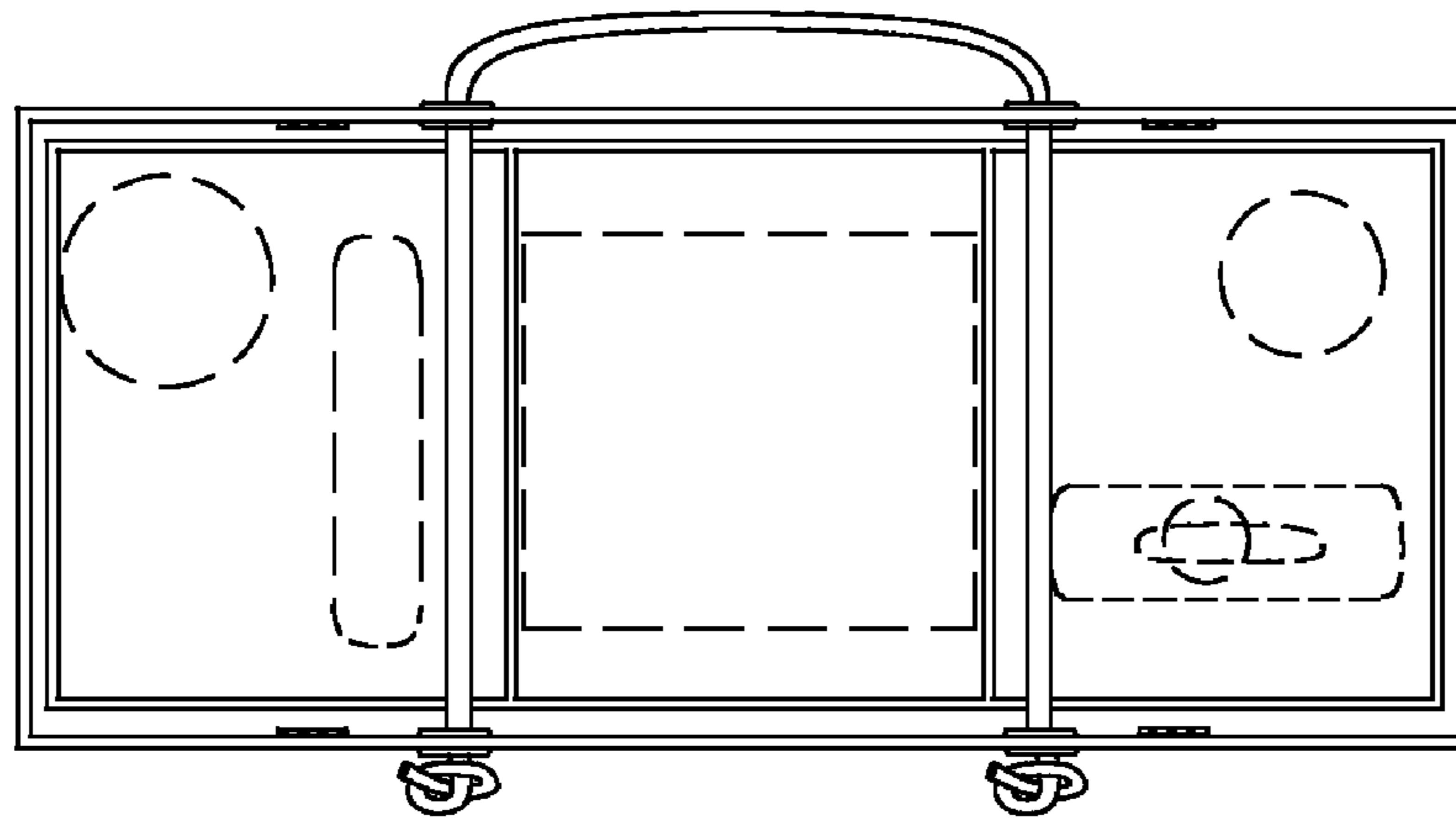
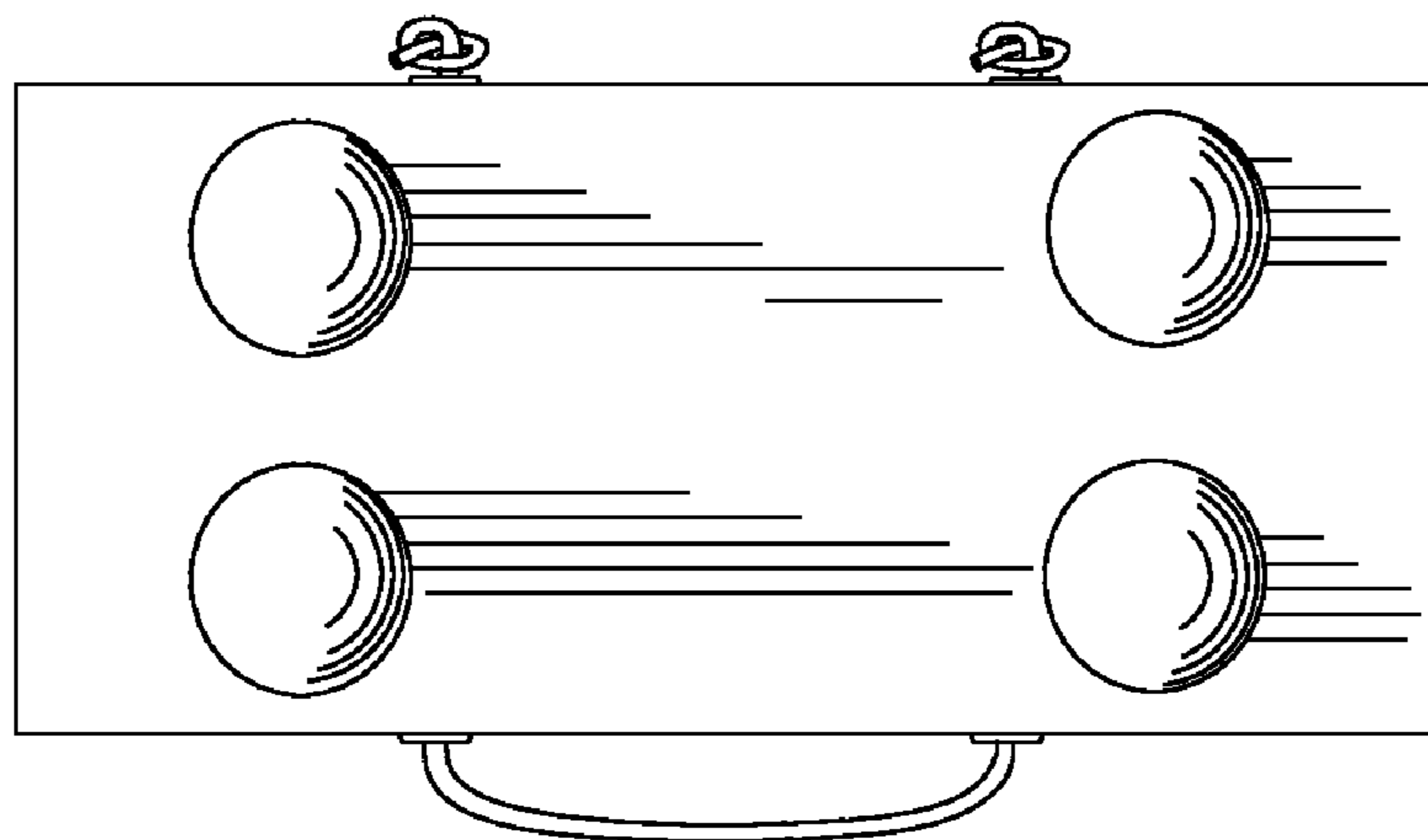


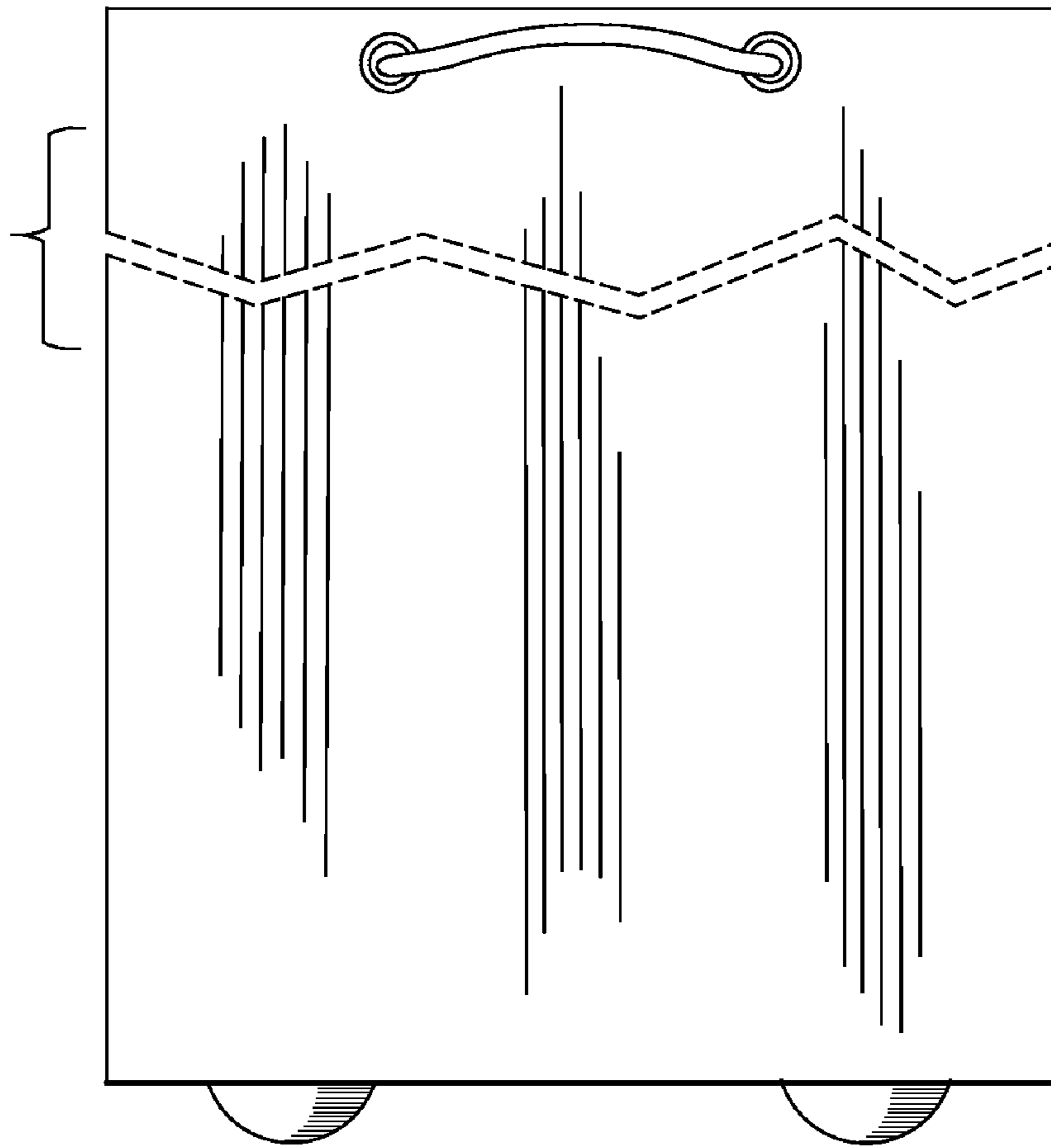
Figure 1



**Figure 2**



**Figure 3**



**Figure 4**

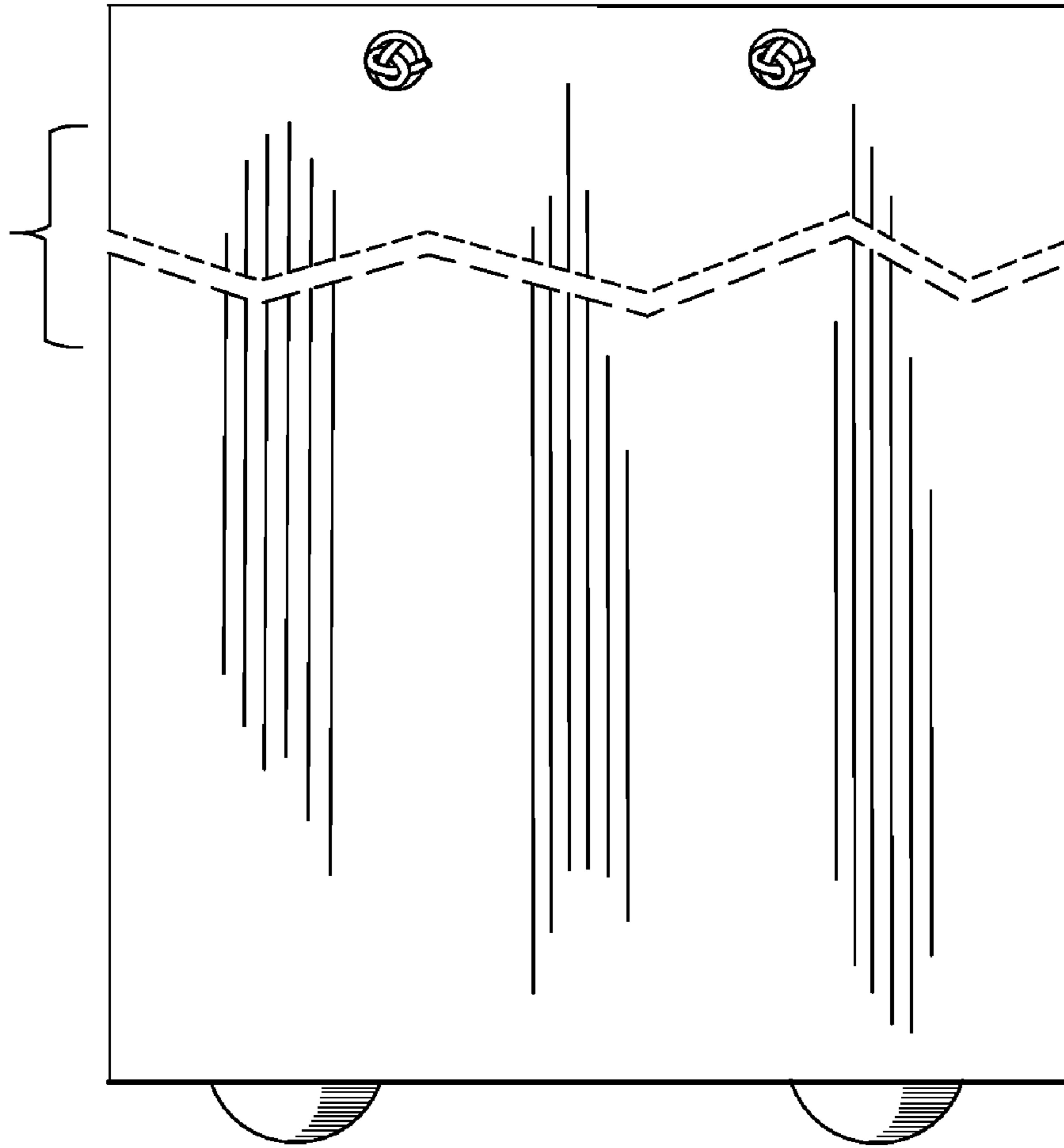


Figure 5

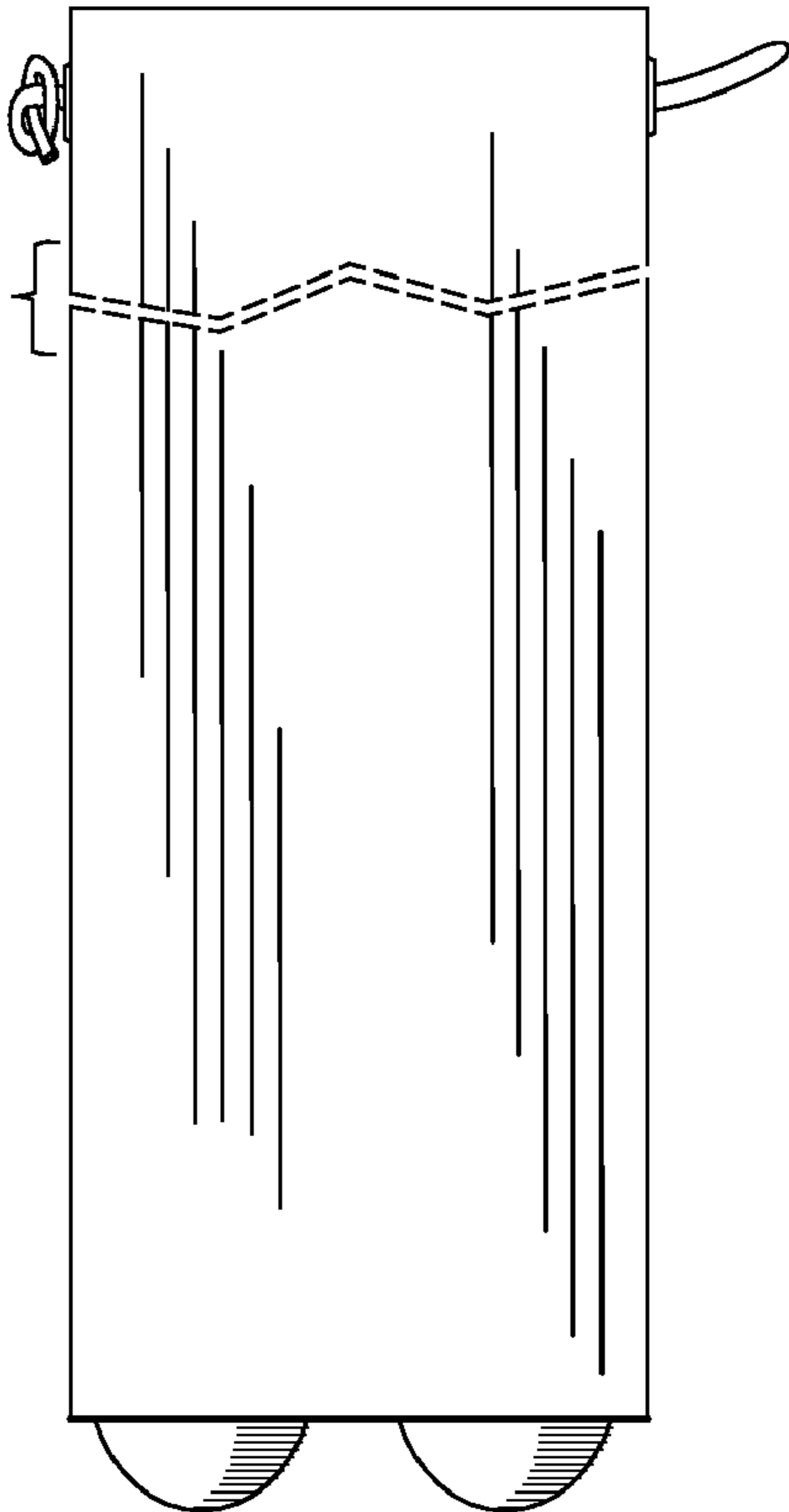


Figure 6

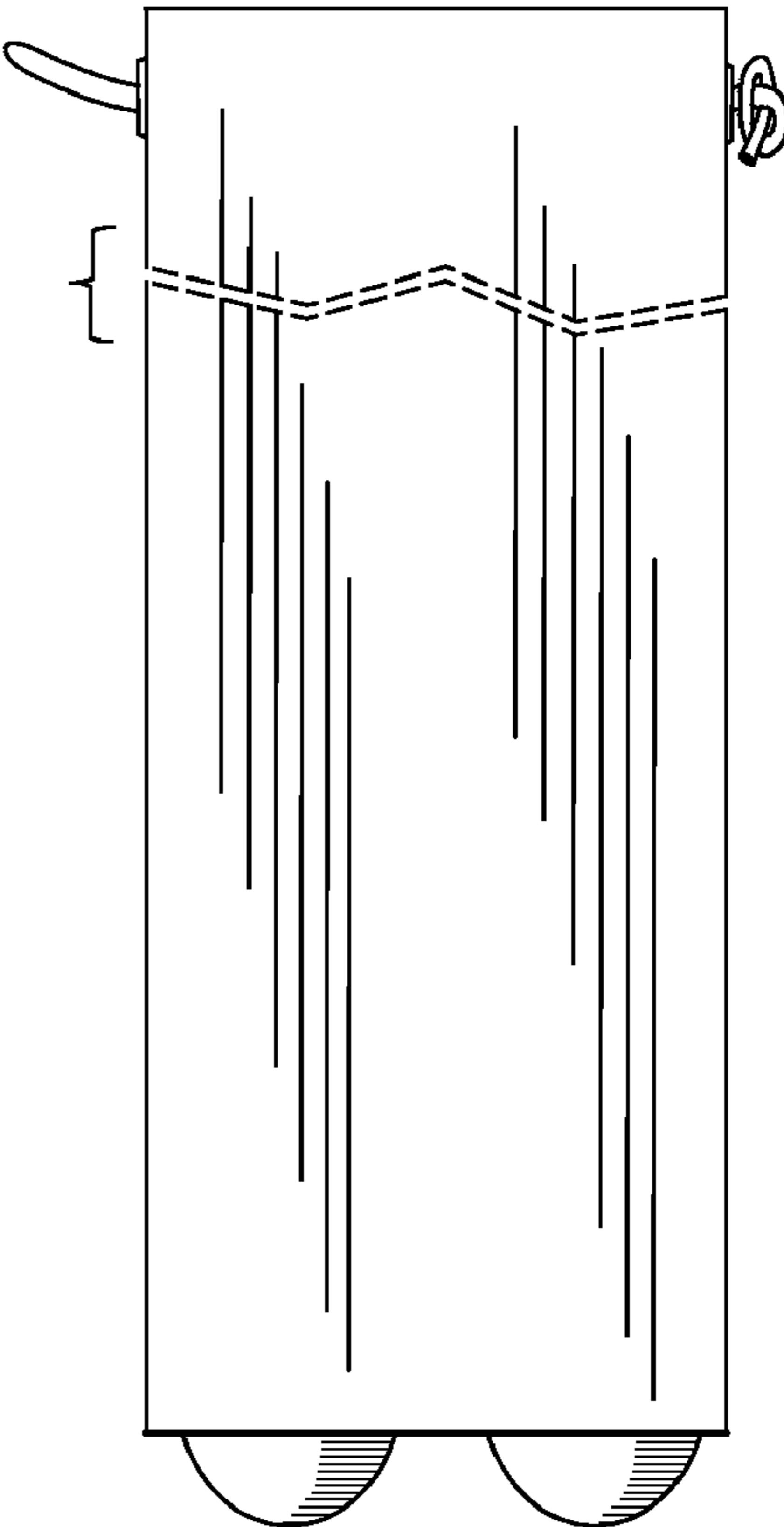


Figure 7

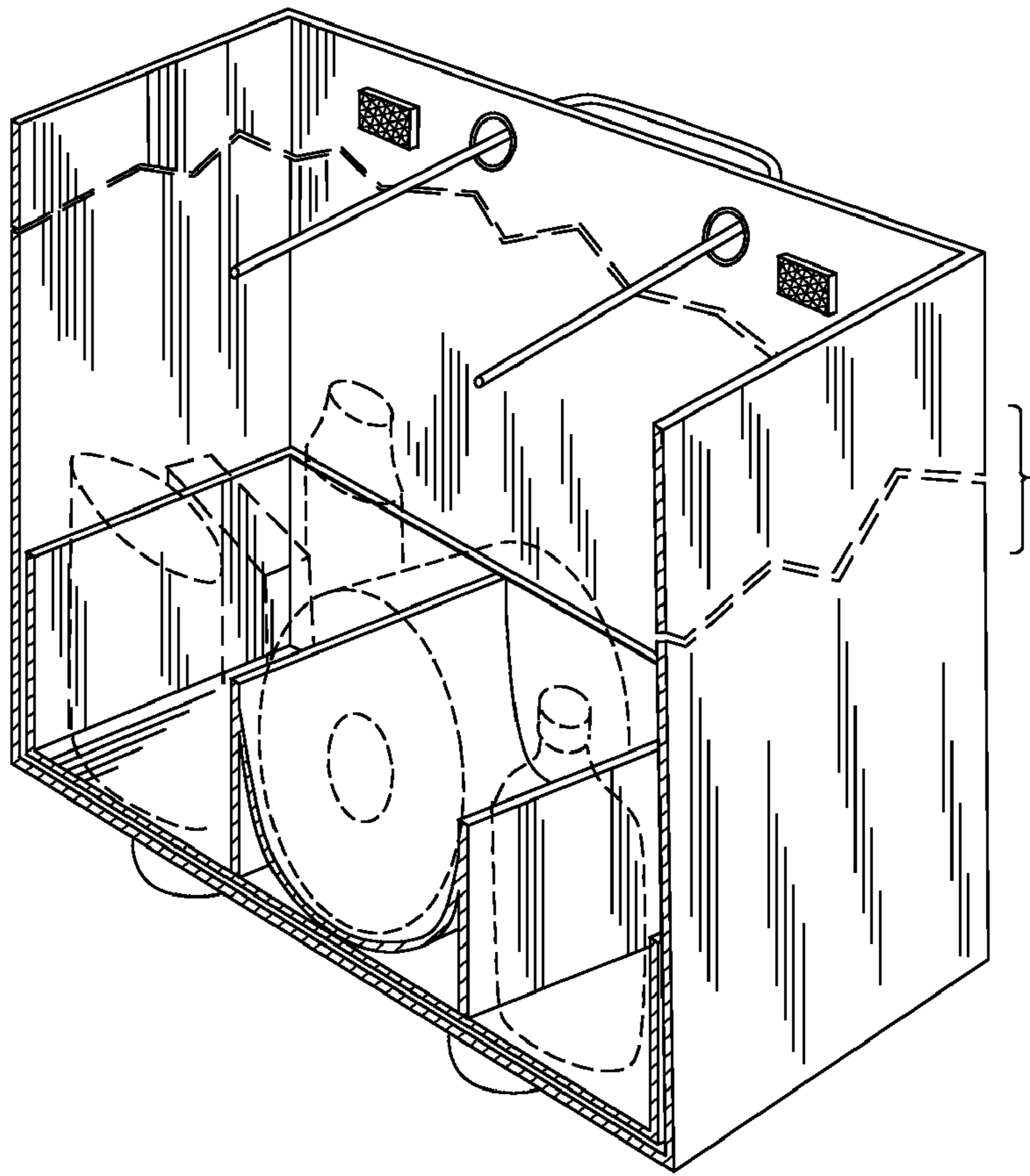


Figure 8