



US00D655506S

(12) **United States Design Patent**  
**Humm et al.**

(10) **Patent No.:** **US D655,506 S**  
(45) **Date of Patent:** **\*\* Mar. 13, 2012**

(54) **STACKABLE STOCK BOX WITH OPENABLE END**

D382,403 S \* 8/1997 Koskinen ..... D3/307  
D387,557 S \* 12/1997 Provot ..... D3/307  
D415,866 S \* 10/1999 Huang ..... D34/19

(75) Inventors: **Siegfried Humm**, Schoental  
Westernhausen (DE); **Guenther Blesch**,  
Assamstadt (DE)

\* cited by examiner

(73) Assignee: **BB Stanz -und Umformtechnik GmbH**, Berga (DE)

*Primary Examiner* — Robert M Spear

*Assistant Examiner* — Rashida C McCoy

(74) *Attorney, Agent, or Firm* — Andrew Wilford

(\*\*) Term: **14 Years**

(57) **CLAIM**

The ornamental design for a stackable stock box with openable end, as shown and described.

(21) Appl. No.: **29/341,684**

(22) Filed: **Aug. 11, 2009**

**DESCRIPTION**

(51) **LOC (9) Cl.** ..... **03-01**

(52) **U.S. Cl.** ..... **D3/307**

(58) **Field of Classification Search** ..... D3/304–315,  
D3/319; D9/424, 425, 432, 456, 457, 756,  
D9/755; 206/503–505, 509, 510, 511, 501,  
206/499; 220/500, 1.5, 6, 7, 509, 516, 675

See application file for complete search history.

FIG. 1 is a right-side elevational view of a stackable stock box with openable end showing my new design, the left-side view being a mirror image thereof;

FIG. 2 is a front view thereof;

FIG. 3 rear elevational view thereof;

FIG. 4 is a top view thereof;

FIG. 5 is a bottom view thereof;

FIG. 6 is a top perspective view of a stackable stock box with openable end with the front end open;

FIG. 7 is a bottom front perspective view of a stackable stock box with openable end with the front end closed;

FIG. 8 is another top front perspective view thereof;

FIG. 9 is a top rear perspective view thereof; and,

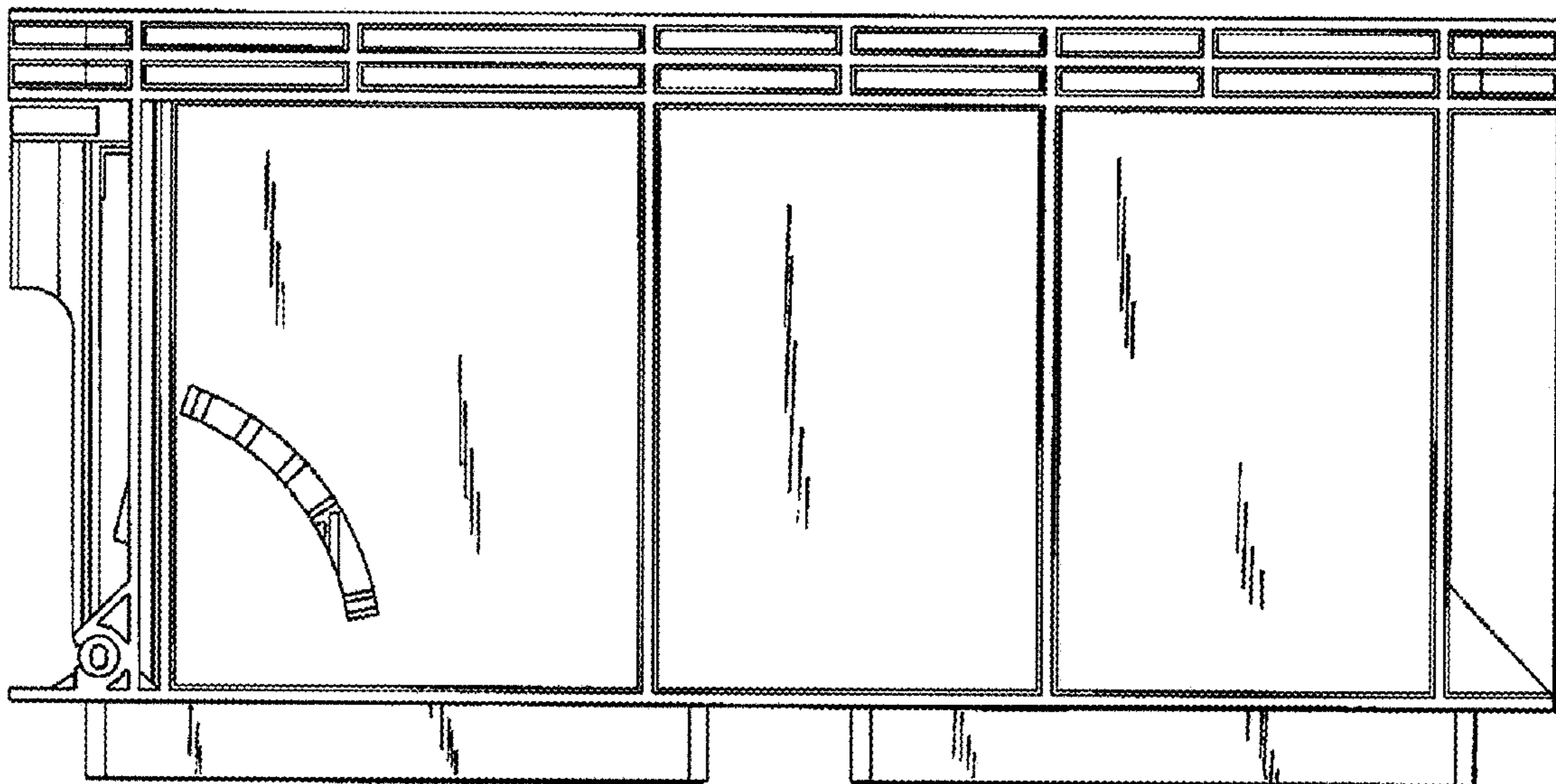
FIG. 10 is a large scale partial perspective view of stackable stock box with openable end with the front end open.

(56) **References Cited**

U.S. PATENT DOCUMENTS

3,568,879 A \* 3/1971 Box ..... 206/504  
D235,054 S \* 5/1975 Herman ..... D3/304  
D242,600 S \* 12/1976 Box ..... D3/311  
D248,280 S \* 6/1978 Martin ..... D3/304  
4,819,822 A \* 4/1989 Box ..... 220/675  
D381,202 S \* 7/1997 Provot ..... D3/304  
D382,401 S \* 8/1997 Provot ..... D3/304

**1 Claim, 10 Drawing Sheets**



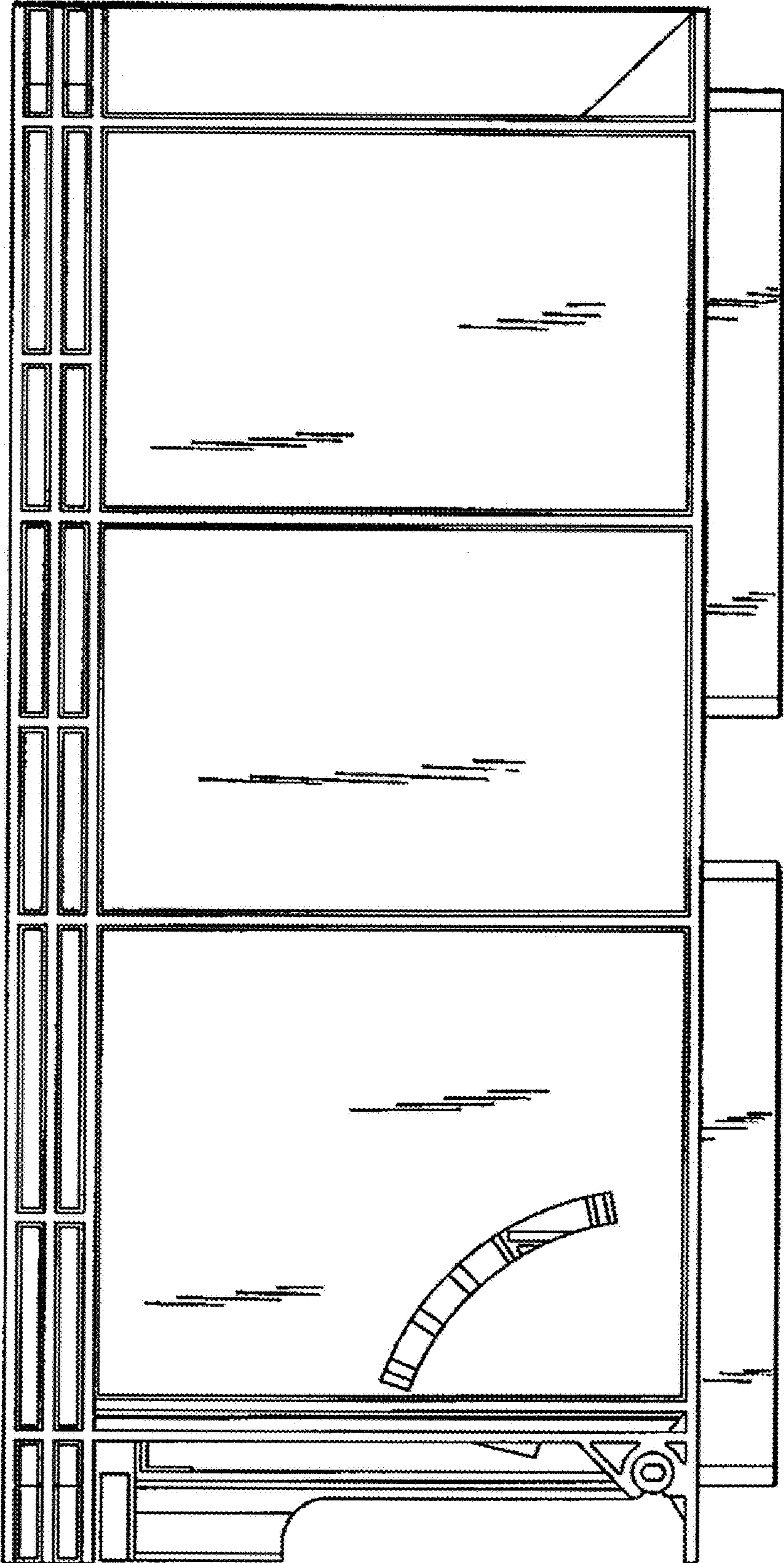
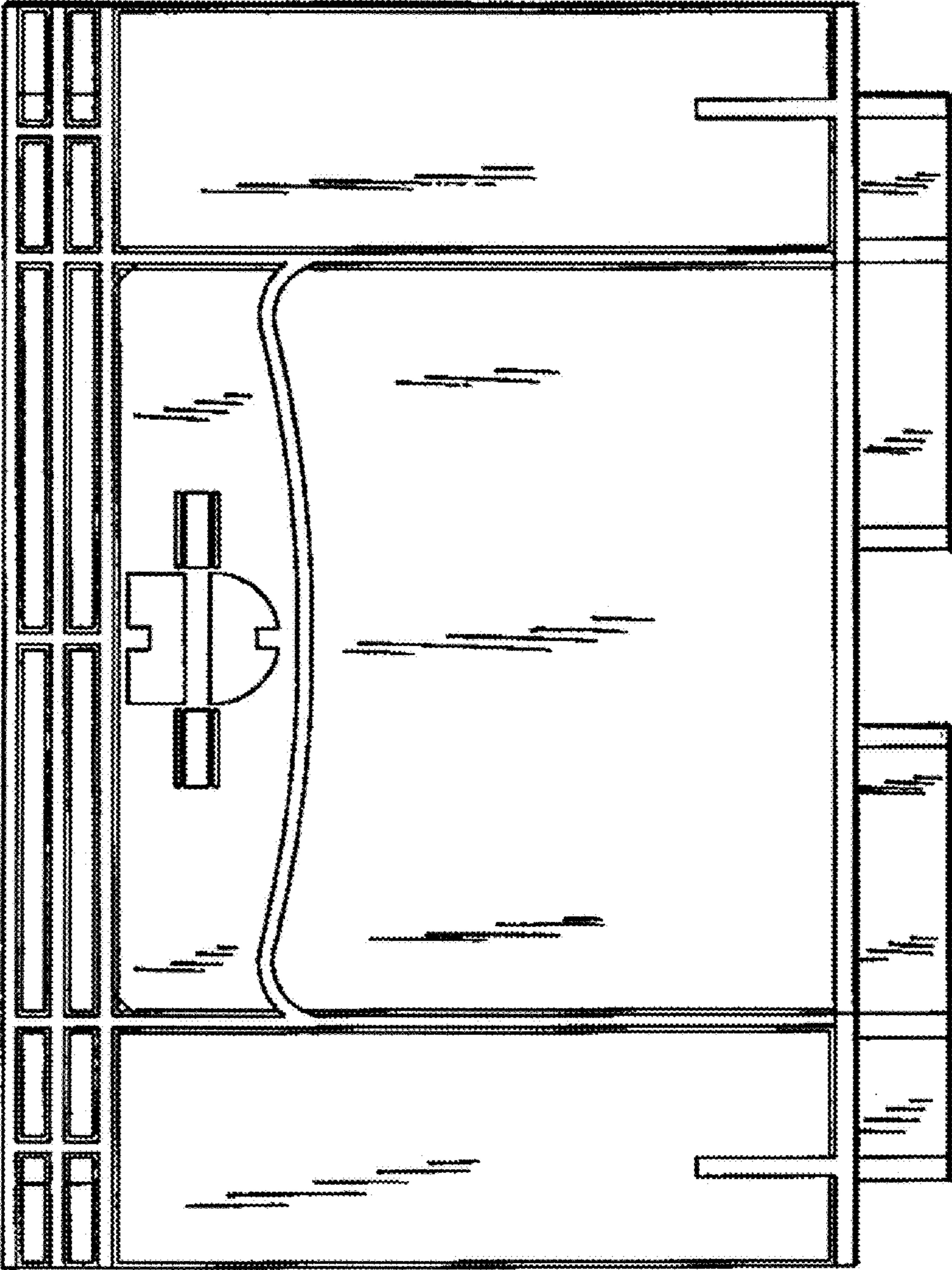
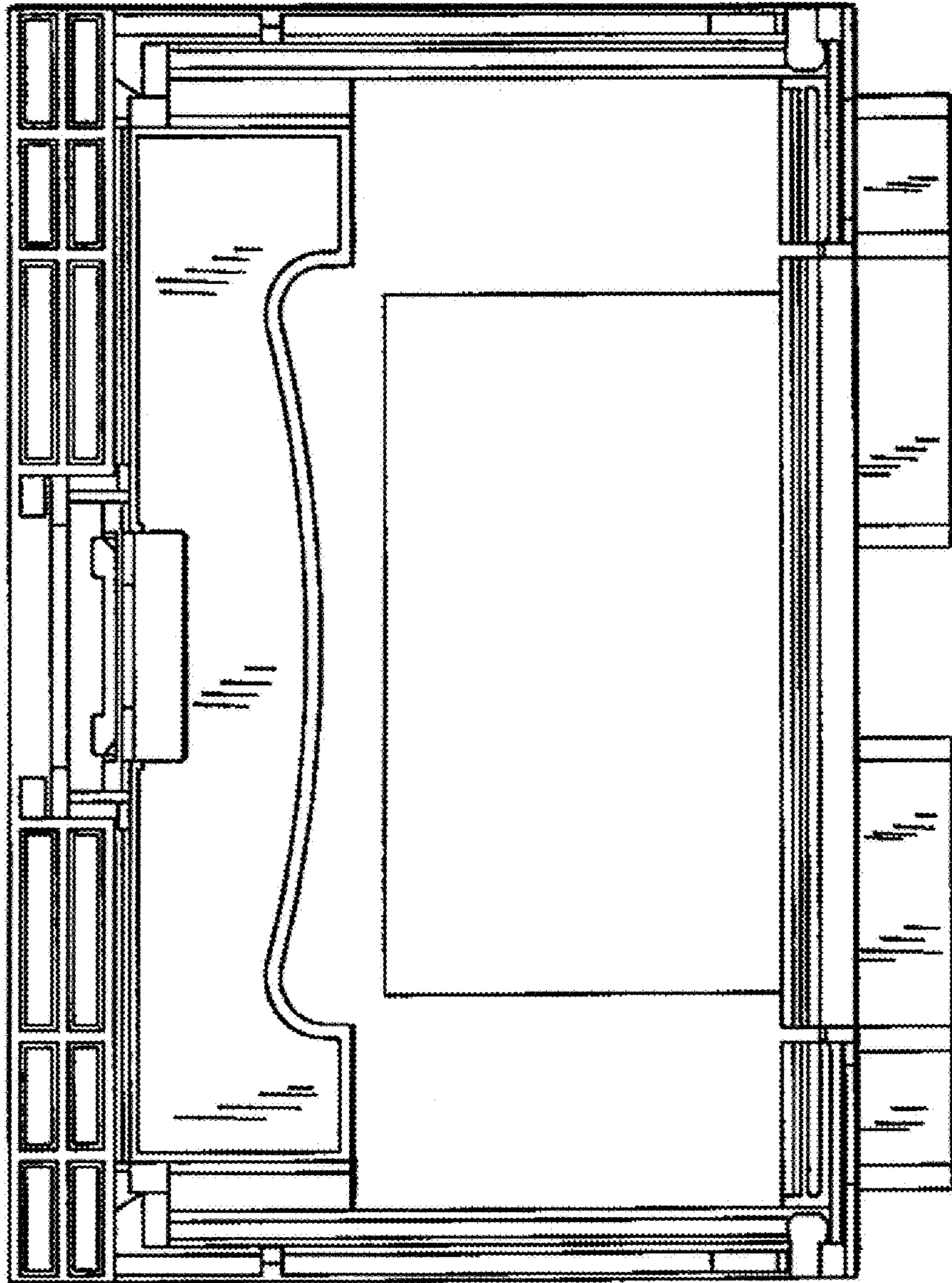


Fig. 1





*Fig. 2*



**Fig. 3**

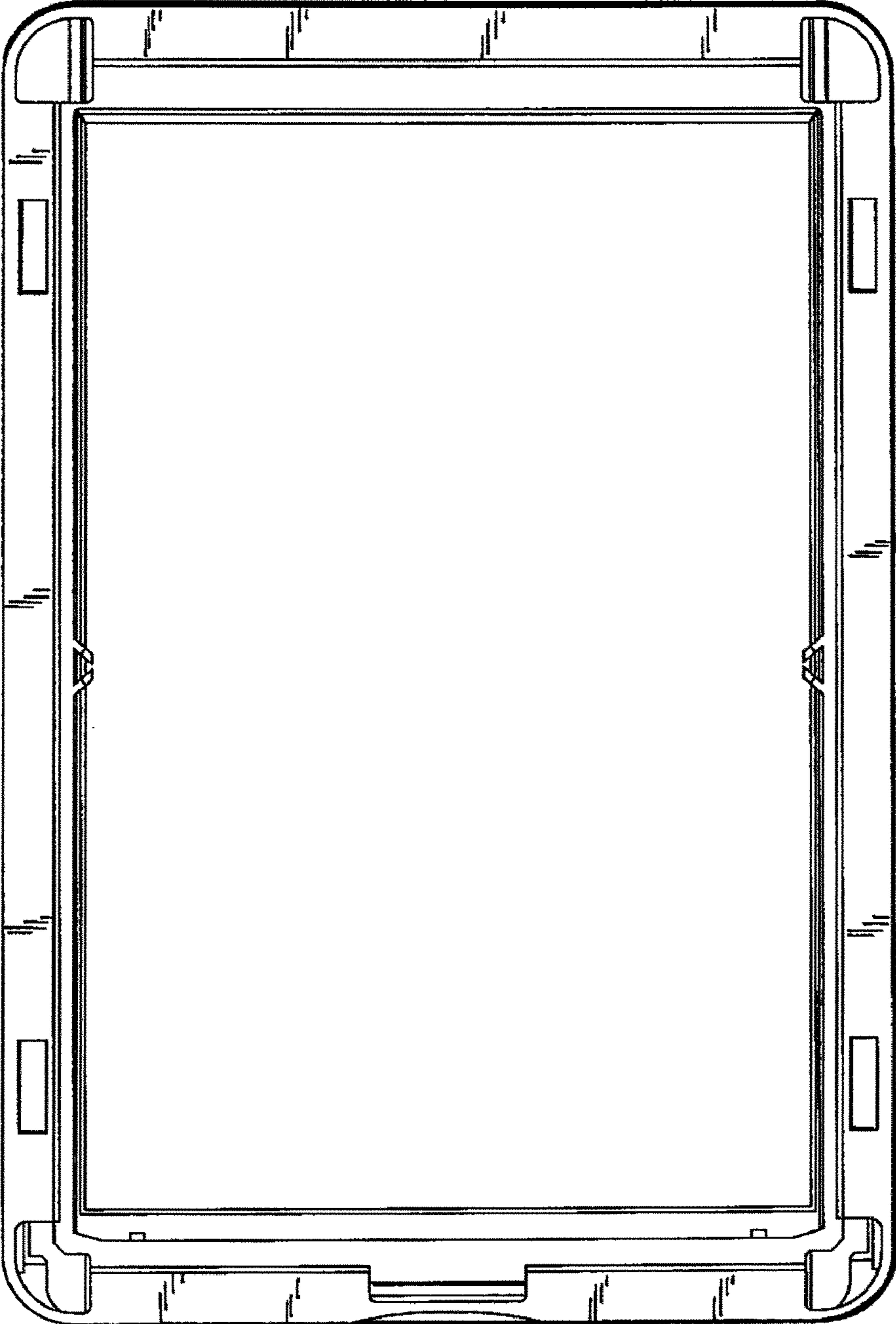


Fig. 4



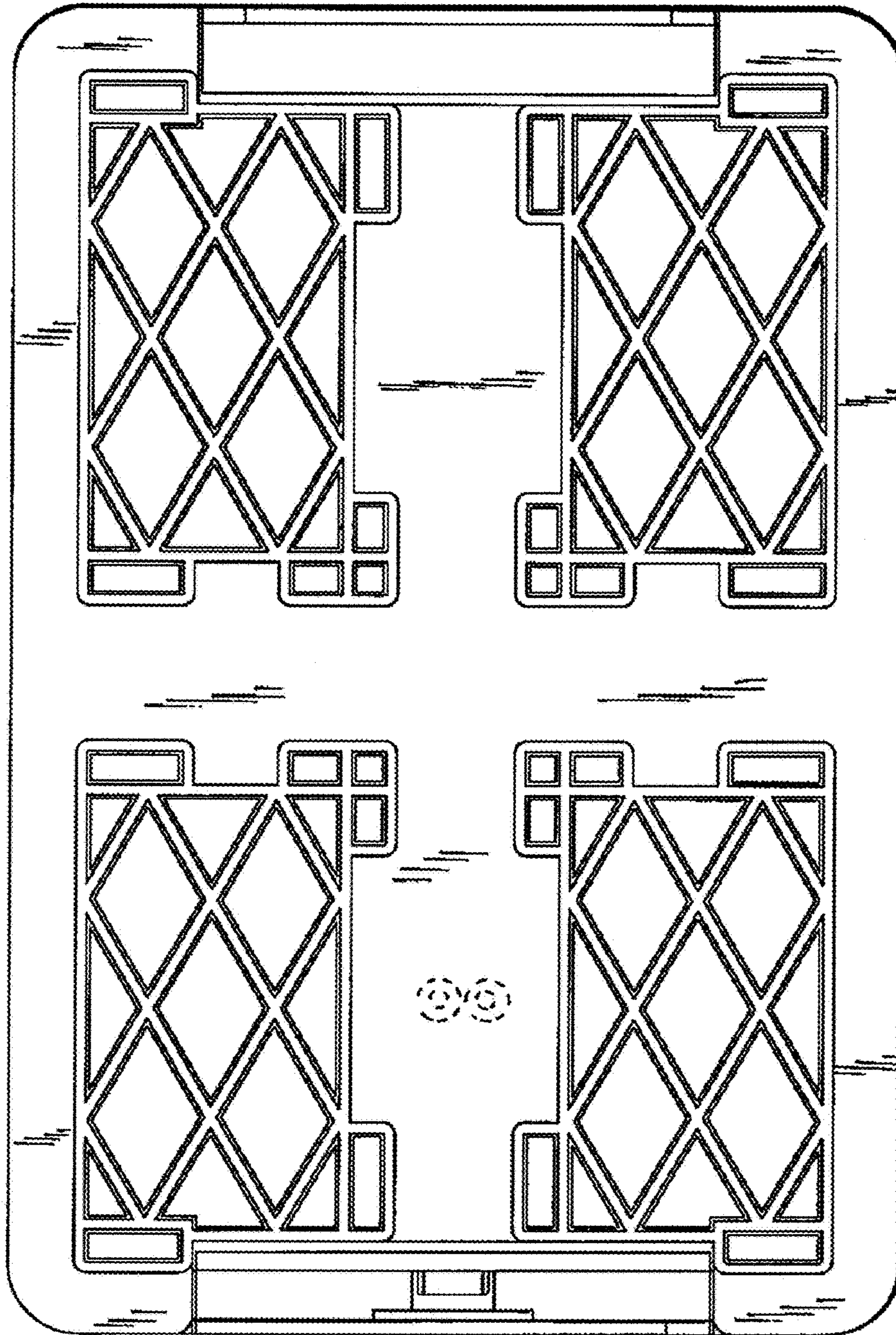


Fig. 5

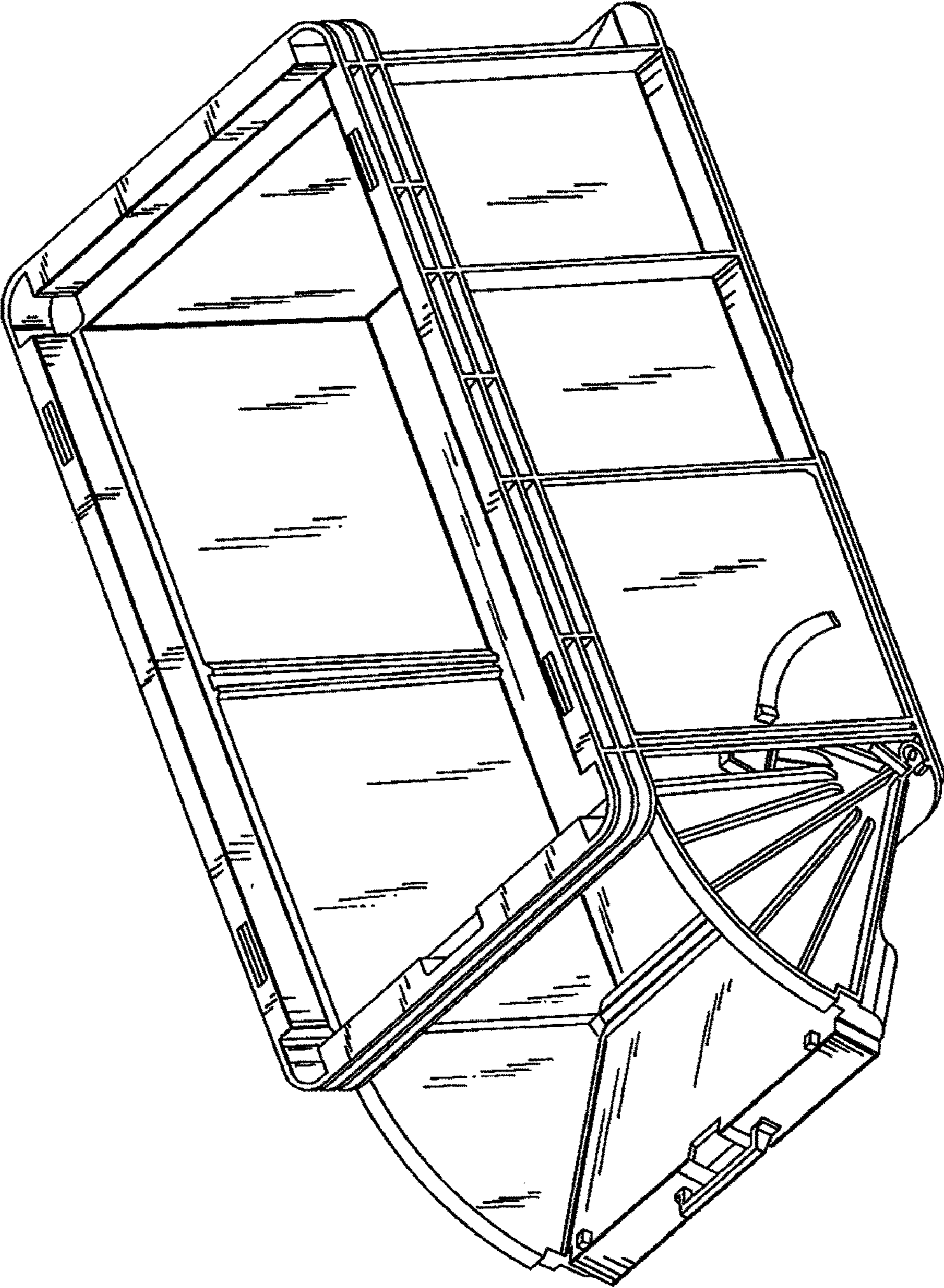


Fig. 6



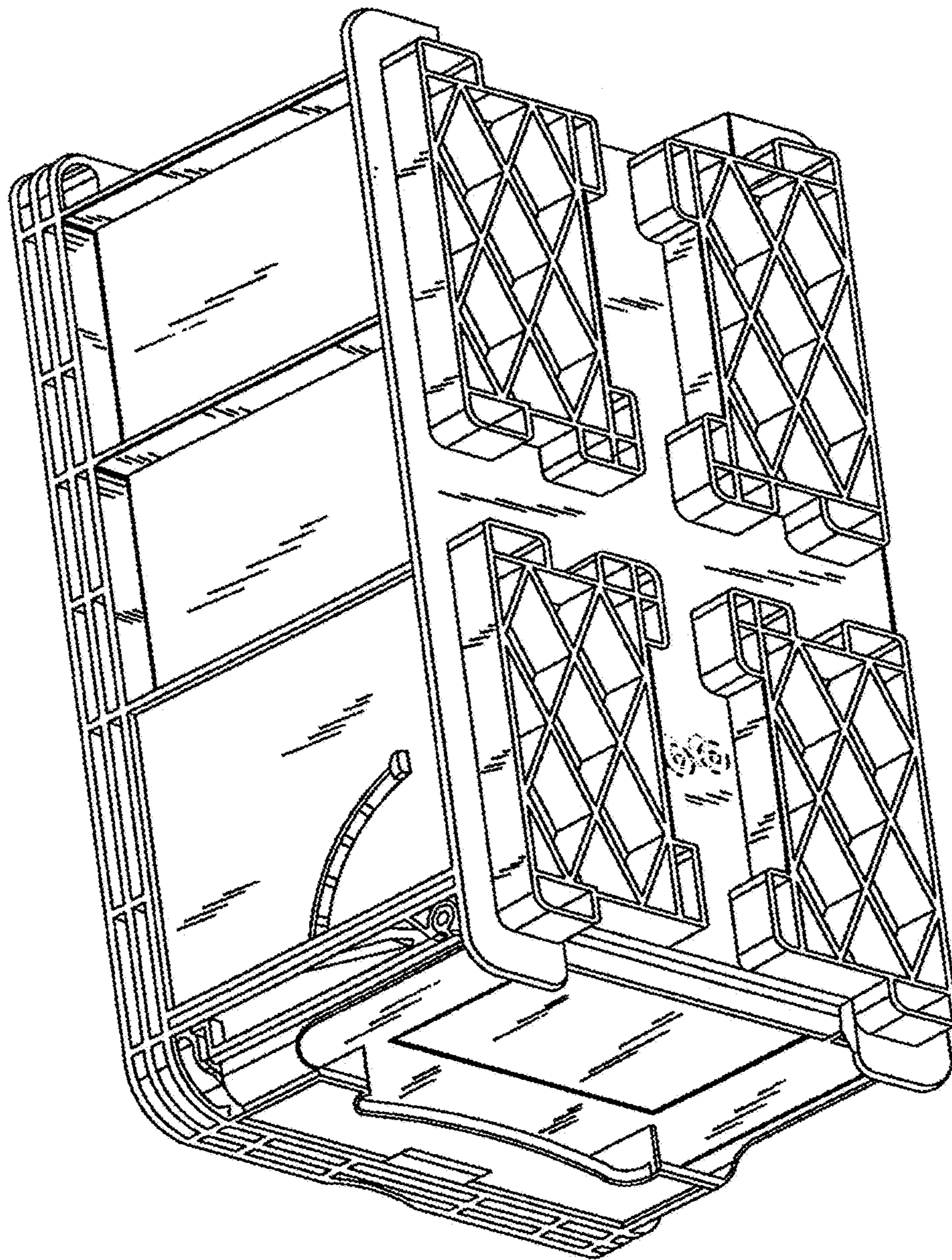


Fig. 7



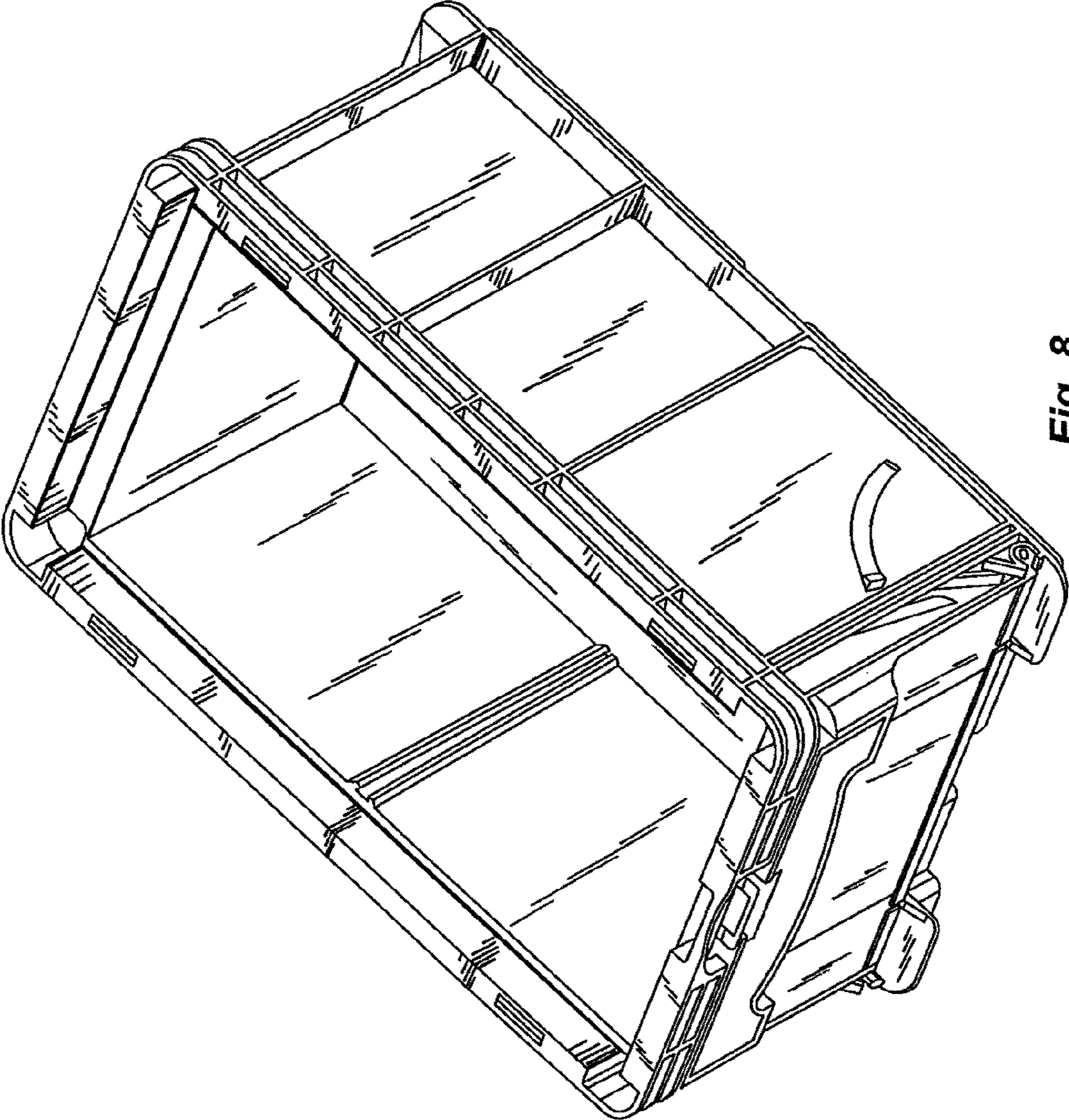


Fig. 8

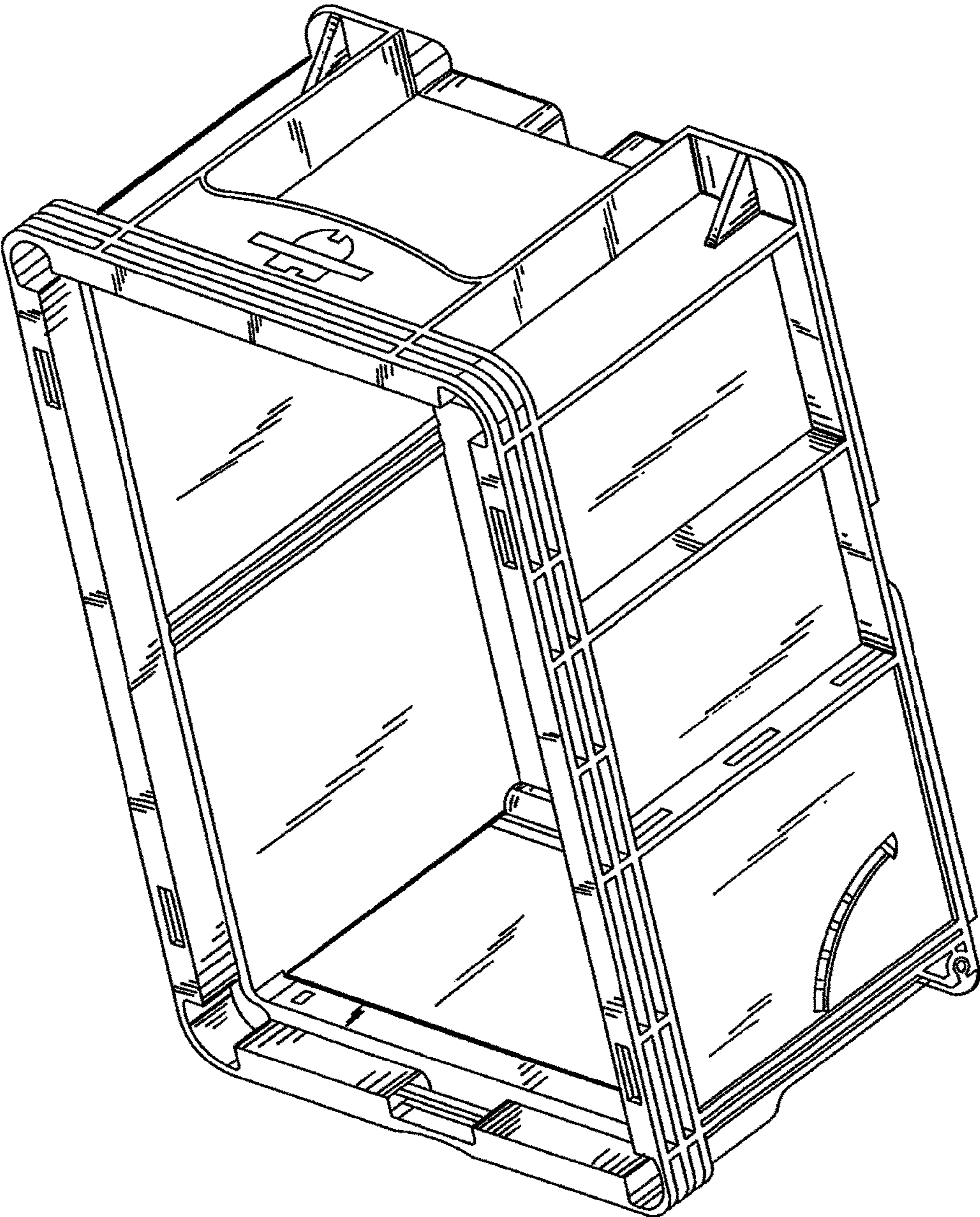


Fig. 9



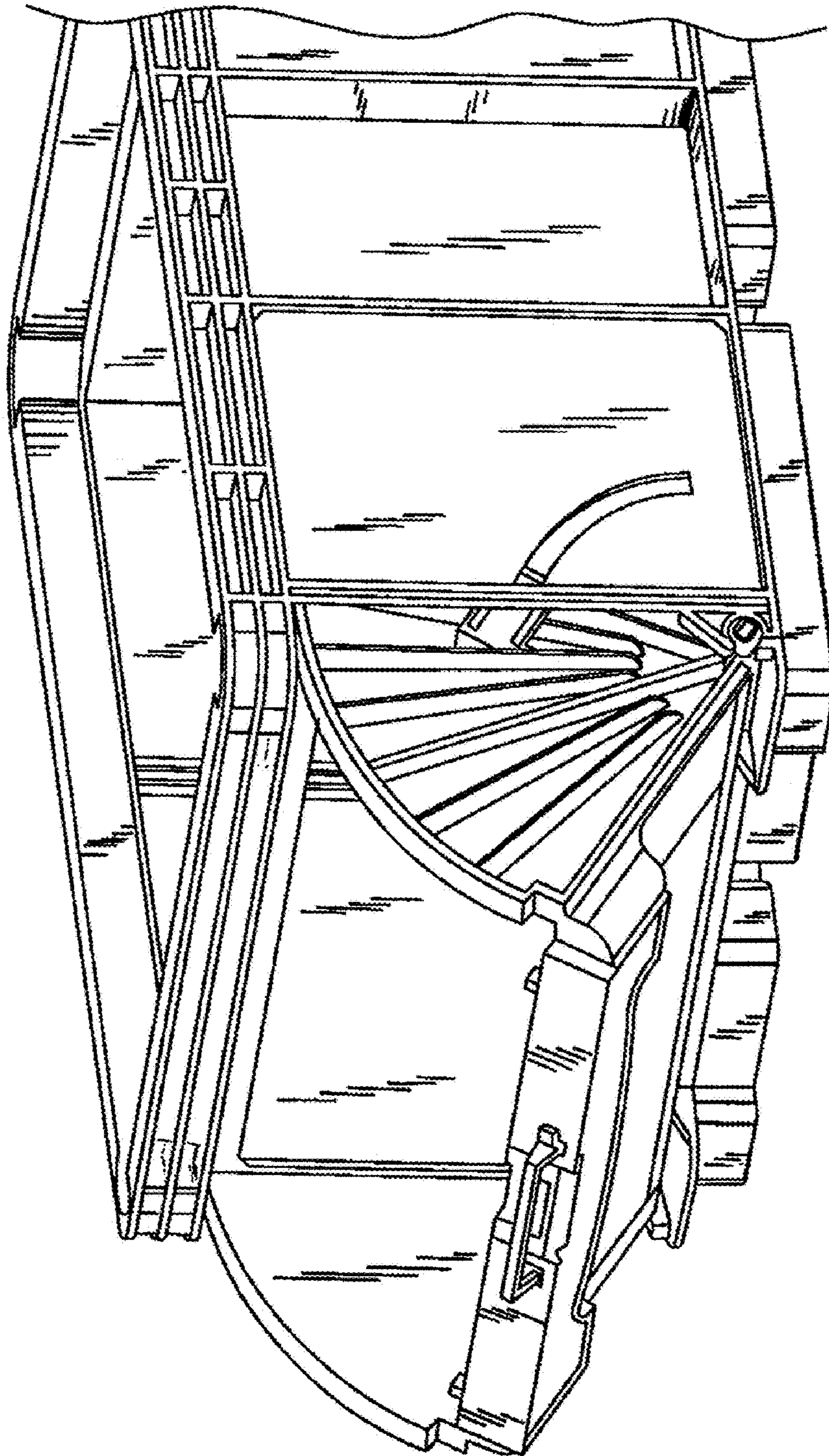


Fig. 10