



US00D655497S

(12) **United States Design Patent**
Stanley

(10) **Patent No.:** **US D655,497 S**

(45) **Date of Patent:** **** Mar. 13, 2012**

(54) **WRIST MOUNTED CELL PHONE HOLDER**

(76) Inventor: **Eugene L. Stanley**, Hampton, VA (US)

(**) Term: **14 Years**

(21) Appl. No.: **29/396,817**

(22) Filed: **Jul. 7, 2011**

(51) **LOC (9) Cl.** **03-01**

(52) **U.S. Cl.** **D3/218**

(58) **Field of Classification Search** D3/218,
D3/215, 219, 224, 226; 224/219, 222, 267,
224/269, 240-241, 646, 666, 678, 165, 930;
D11/1-5; D10/31-32; D14/138, 250-251,
D14/253, 144; 206/305, 320; 455/575.1-575.8
See application file for complete search history.

(56) **References Cited**

U.S. PATENT DOCUMENTS

D317,730	S	*	6/1991	Mo	D11/5
D335,263	S	*	5/1993	Willis	D11/3
6,078,803	A		6/2000	Fernandez Martinez		
D482,671	S	*	11/2003	DiDonato	D14/144
D519,731	S	*	5/2006	Andre et al.	D3/218
D526,479	S	*	8/2006	Brandenburg	D3/218
D538,035	S		3/2007	Chen		
D545,564	S		7/2007	Davis		

D555,353	S		11/2007	Kennedy		
D596,610	S	*	7/2009	Hou	D14/144
D616,197	S	*	5/2010	Fuccella	D3/218
D623,404	S	*	9/2010	Andre et al.	D3/218
D645,360	S	*	9/2011	Kiser et al.	D10/32
2004/0251285	A1		12/2004	O'Neill		
2005/0277452	A1		12/2005	Pasamba		
2006/0166720	A1		7/2006	Dixon		
2007/0095871	A1		5/2007	Chen		
2007/0270199	A1	*	11/2007	Kim et al.	455/575.6

* cited by examiner

Primary Examiner — Catheri Oliver

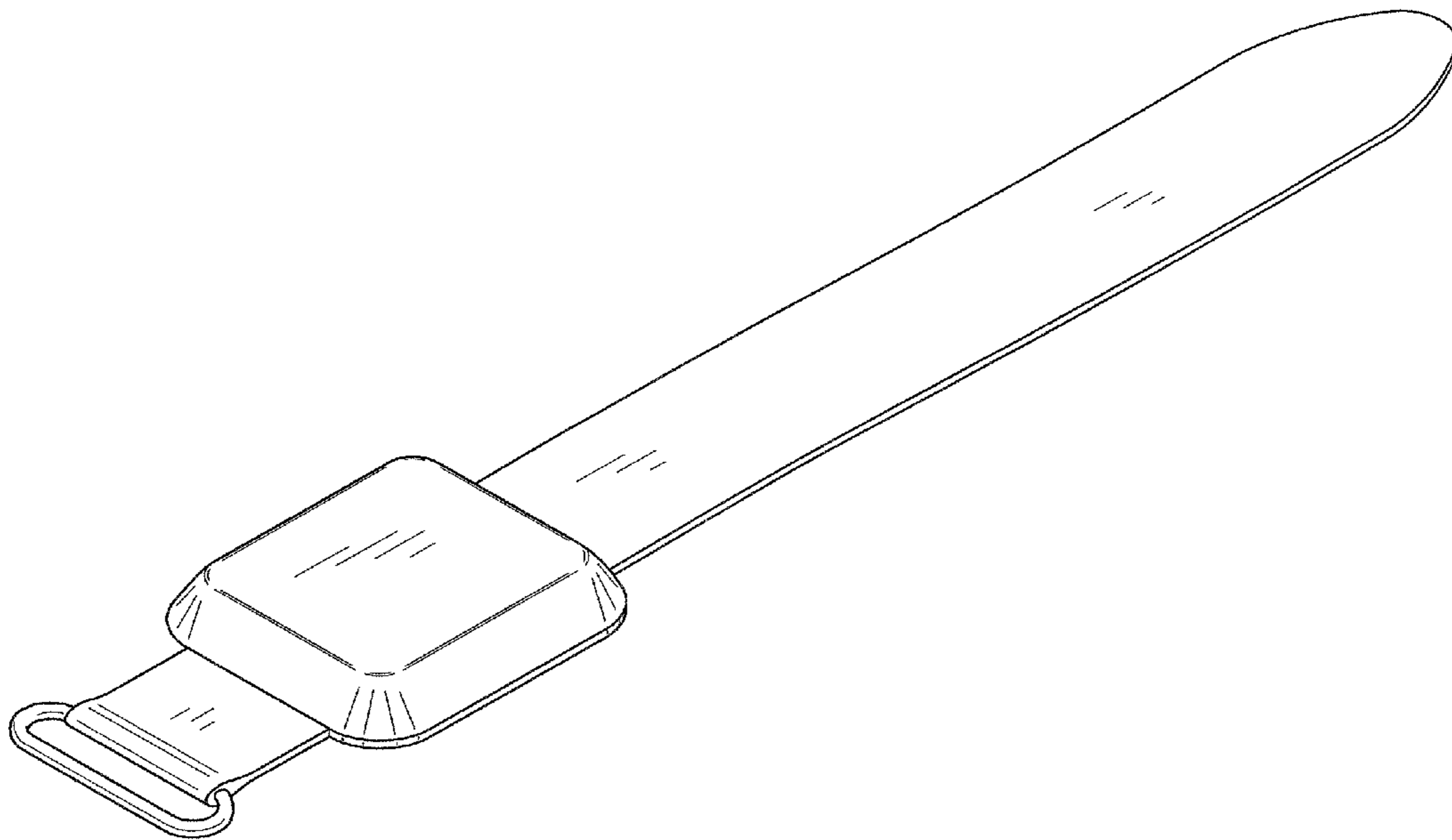
(57) **CLAIM**

The ornamental design for a wrist mounted cell phone holder, as shown and described.

DESCRIPTION

FIG. 1 is a perspective view of a wrist mounted cell phone holder showing my new design; FIG. 2 is a top view thereof; FIG. 3 is a bottom view thereof; FIG. 4 is a front view thereof; FIG. 5 is a rear view thereof; and, FIG. 6 is a side view (opposite side view is mirror image) thereof.

1 Claim, 3 Drawing Sheets



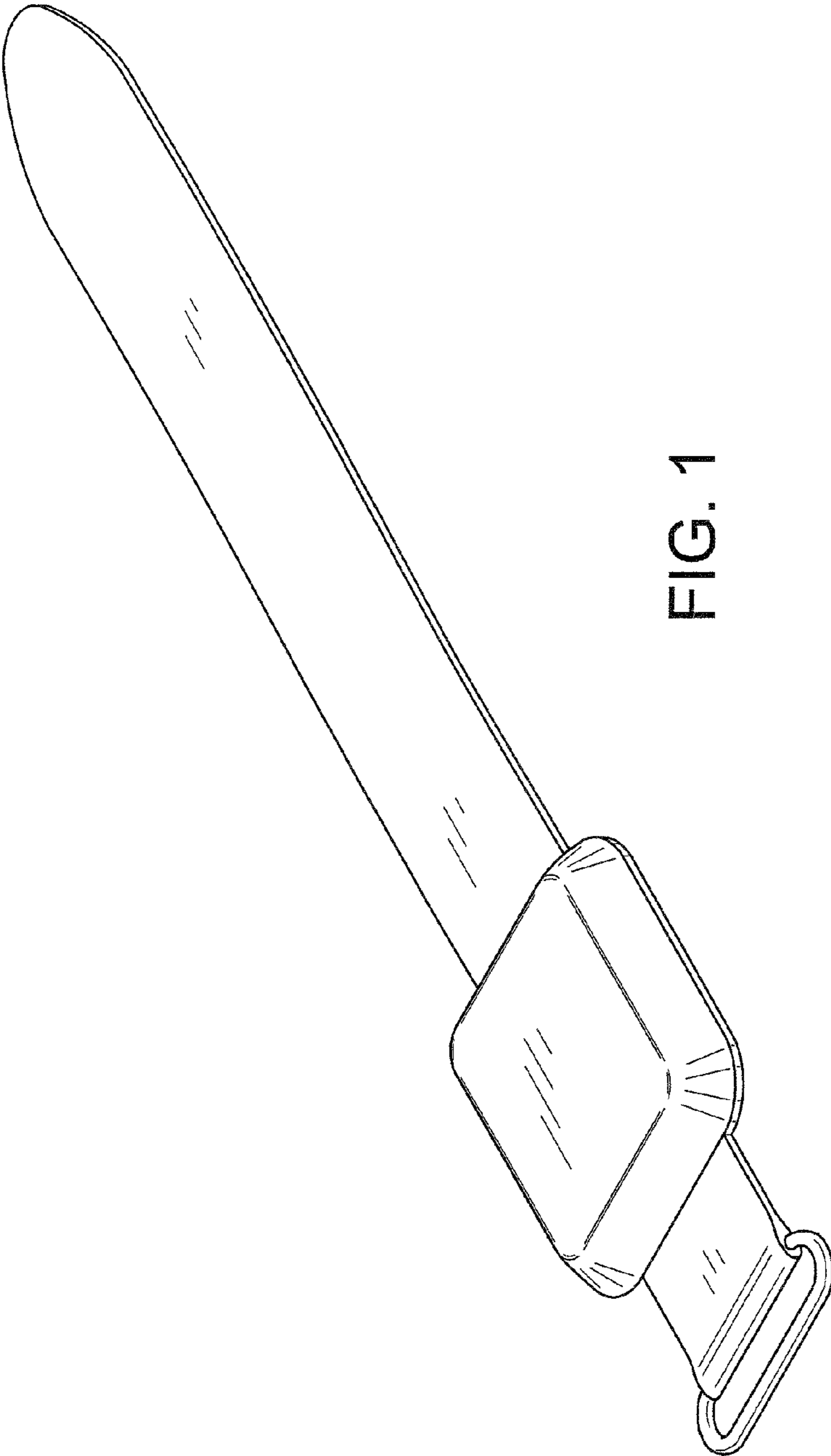


FIG. 1

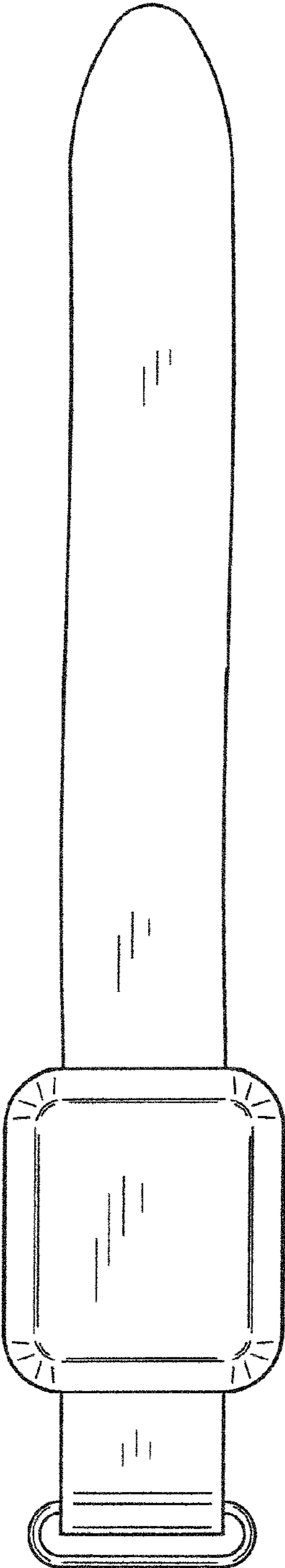


FIG. 2

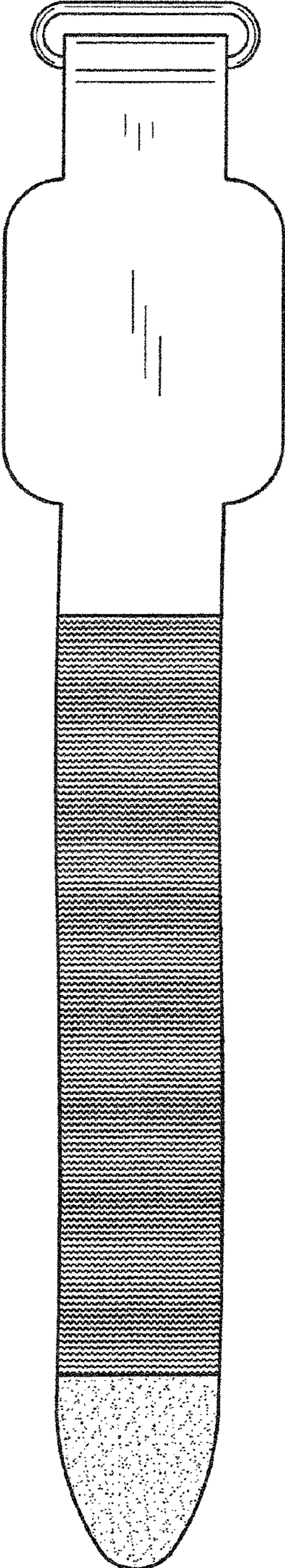


FIG. 3



FIG. 4

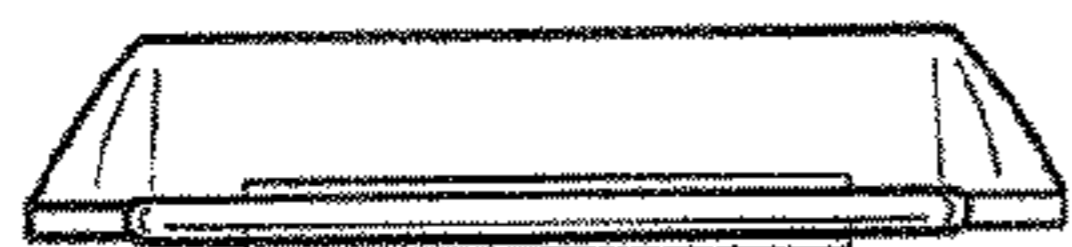


FIG. 5



FIG. 6