



US00D655474S

(12) **United States Design Patent**
Goldszer

(10) **Patent No.:** **US D655,474 S**

(45) **Date of Patent:** **** Mar. 6, 2012**

(54) **LIGHT DUTY CART**

(76) **Inventor:** **Jacob Goldszer**, Weston, FL (US)

(**) **Term:** **14 Years**

(21) **Appl. No.:** **29/399,695**

(22) **Filed:** **Aug. 17, 2011**

Related U.S. Application Data

(63) Continuation of application No. 29/379,657, filed on Nov. 23, 2010, now Pat. No. Des. 643,989.

(51) **LOC (9) Cl.** **12-02**

(52) **U.S. Cl.** **D34/26**

(58) **Field of Classification Search** D34/12-27;
280/655, 654, 47.18, 79.11, 652, 47.27, 47.28,
280/47.29

See application file for complete search history.

(56) **References Cited**

U.S. PATENT DOCUMENTS

D160,659 S *	10/1950	Reece	D34/24
D165,191 S *	11/1951	Reece	D34/24
D342,363 S *	12/1993	Stein	D34/26
D365,187 S *	12/1995	Tsai	D34/26
D401,729 S *	11/1998	Wu	D34/26
5,863,055 A *	1/1999	Kasravi et al.	280/47.29
D448,907 S *	10/2001	Tsai	D34/26

D479,761 S *	9/2003	Tsai	D34/24
D553,325 S *	10/2007	Miller et al.	D34/24
D633,679 S *	3/2011	DeLuca	D34/23
D643,989 S *	8/2011	Goldszer	D34/26
2002/0101065 A1 *	8/2002	McCollum et al.	280/655
2003/0234515 A1 *	12/2003	Han	280/655

* cited by examiner

Primary Examiner — Cynthia Ramirez

(74) *Attorney, Agent, or Firm* — Knobbe, Martens, Olson & Bear, LLP

(57) **CLAIM**

The ornamental design for the light duty cart, as shown and described.

DESCRIPTION

FIG. 1 is a left side view of the light duty cart, the right side view being a mirror image of the left side view.

FIG. 2 is a front elevational view of the light duty cart shown in FIG. 1.

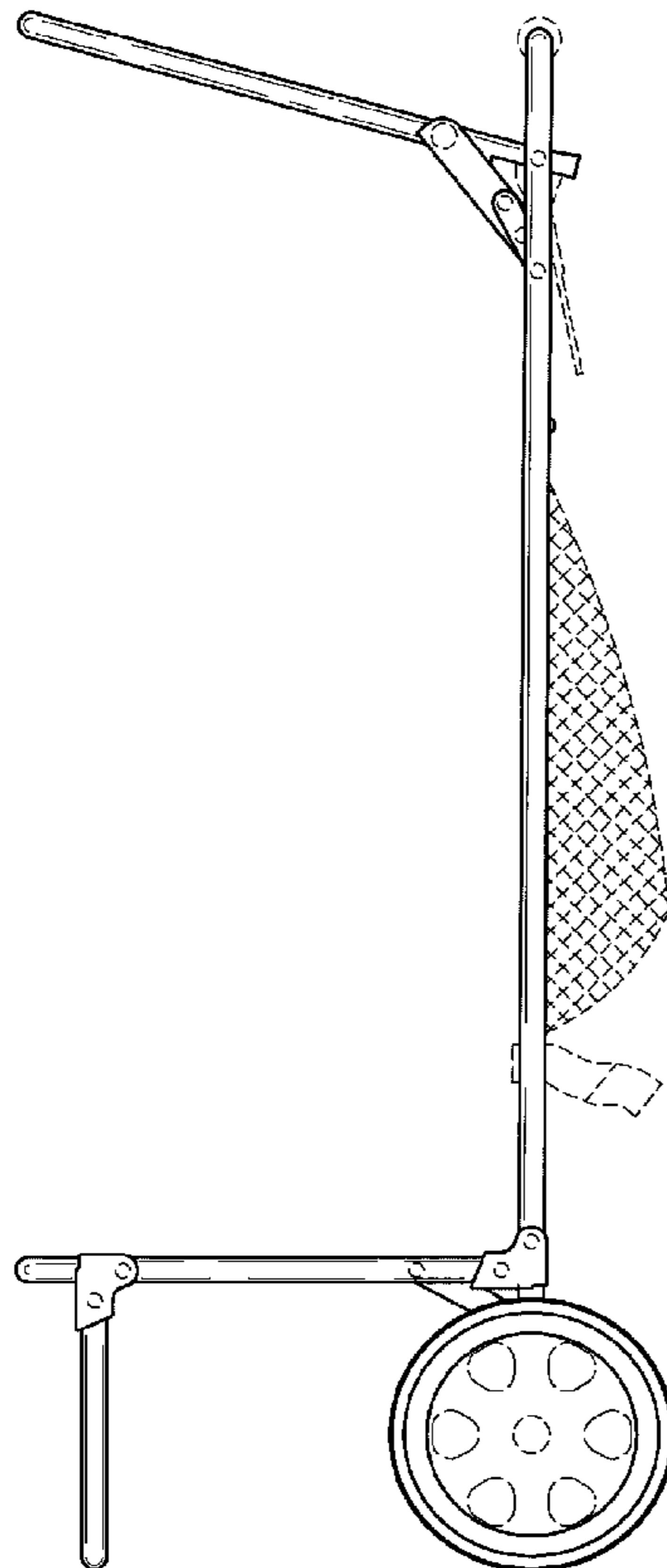
FIG. 3 is a rear view of the light duty cart shown in FIG. 1.

FIG. 4 is a top view of the light duty cart shown in FIG. 1; and,

FIG. 5 is a bottom view of the light duty cart shown in FIG. 1.

The portion of the cart shown in broken lines in FIGS. 1-5 is for the purpose of illustration and forms no part of the claimed design.

1 Claim, 4 Drawing Sheets



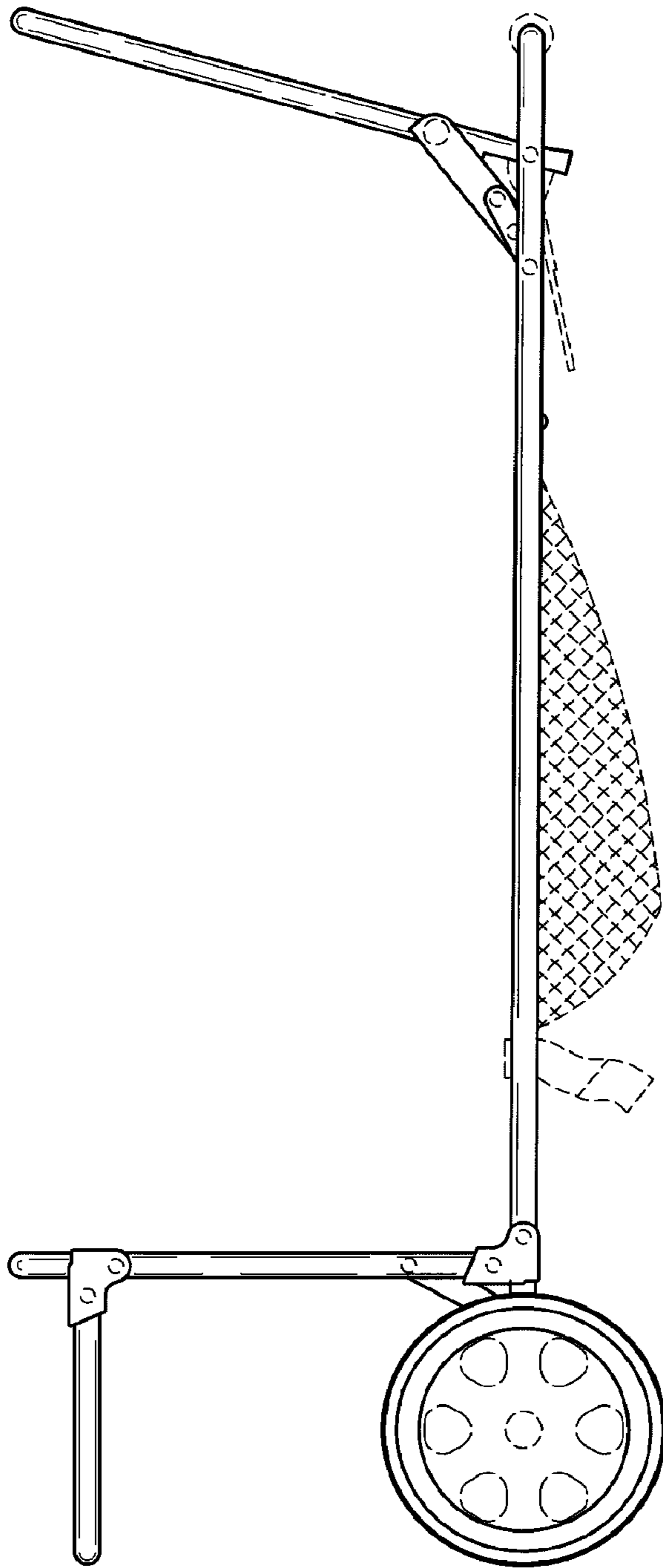


FIG. 1

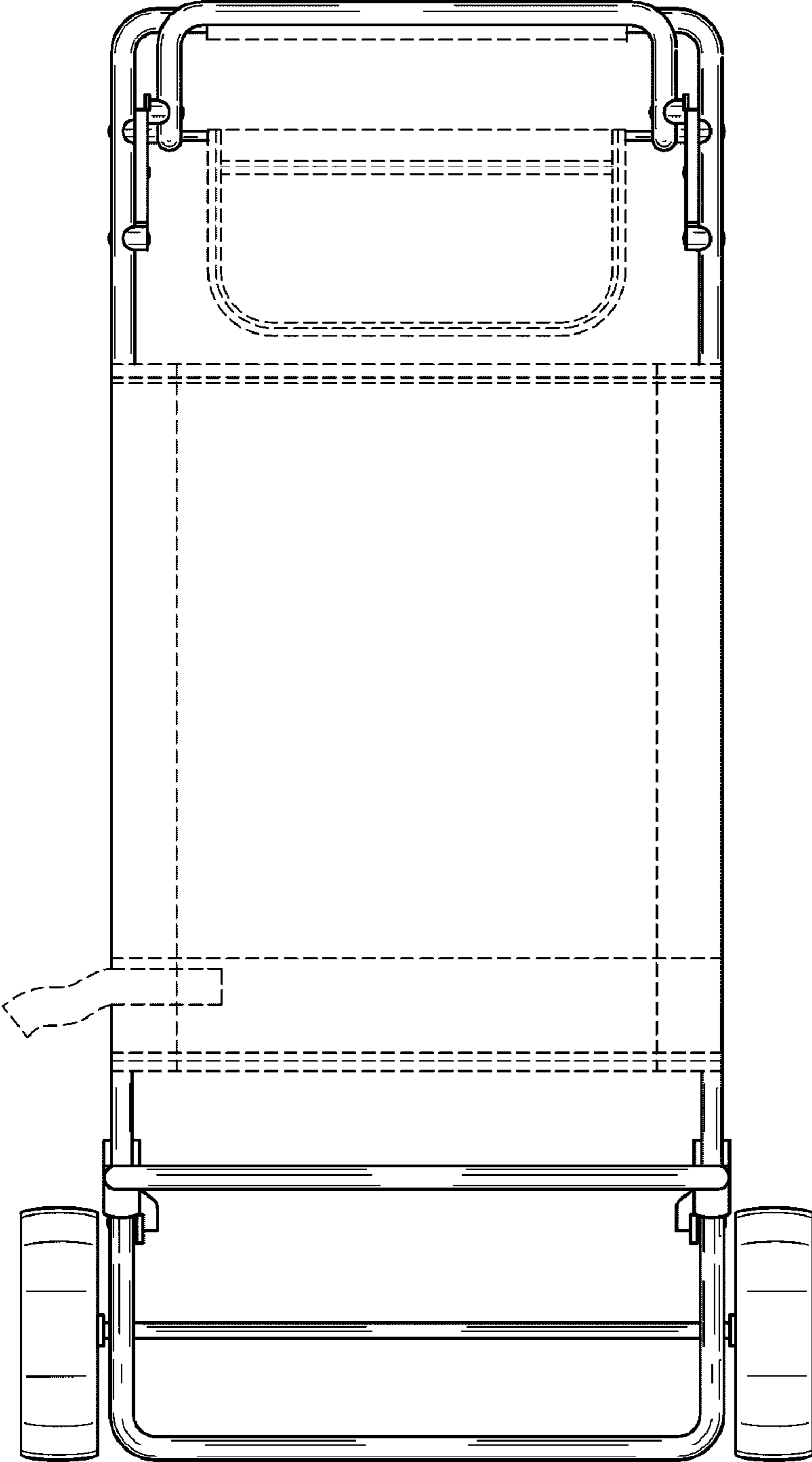


FIG. 2

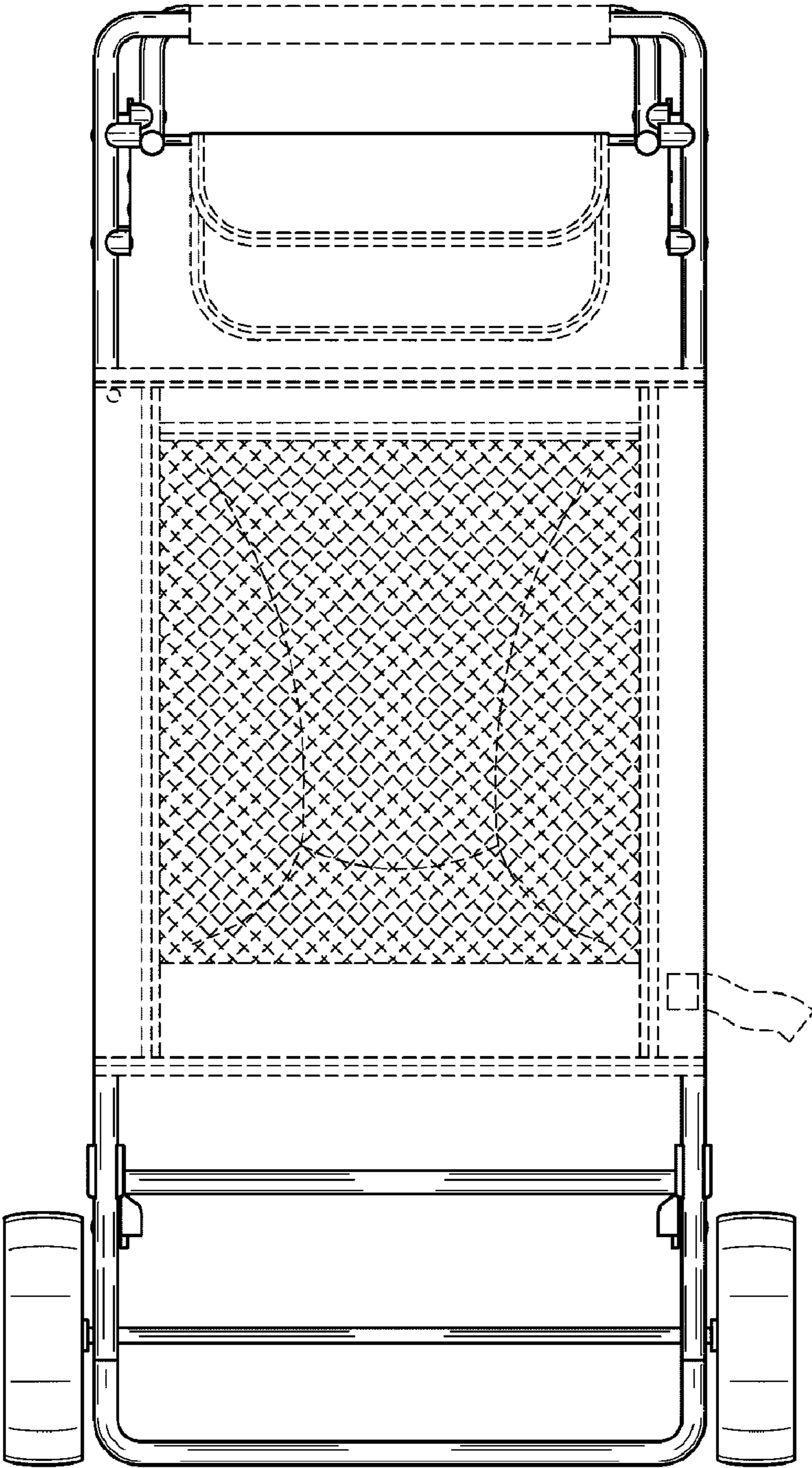


FIG. 3

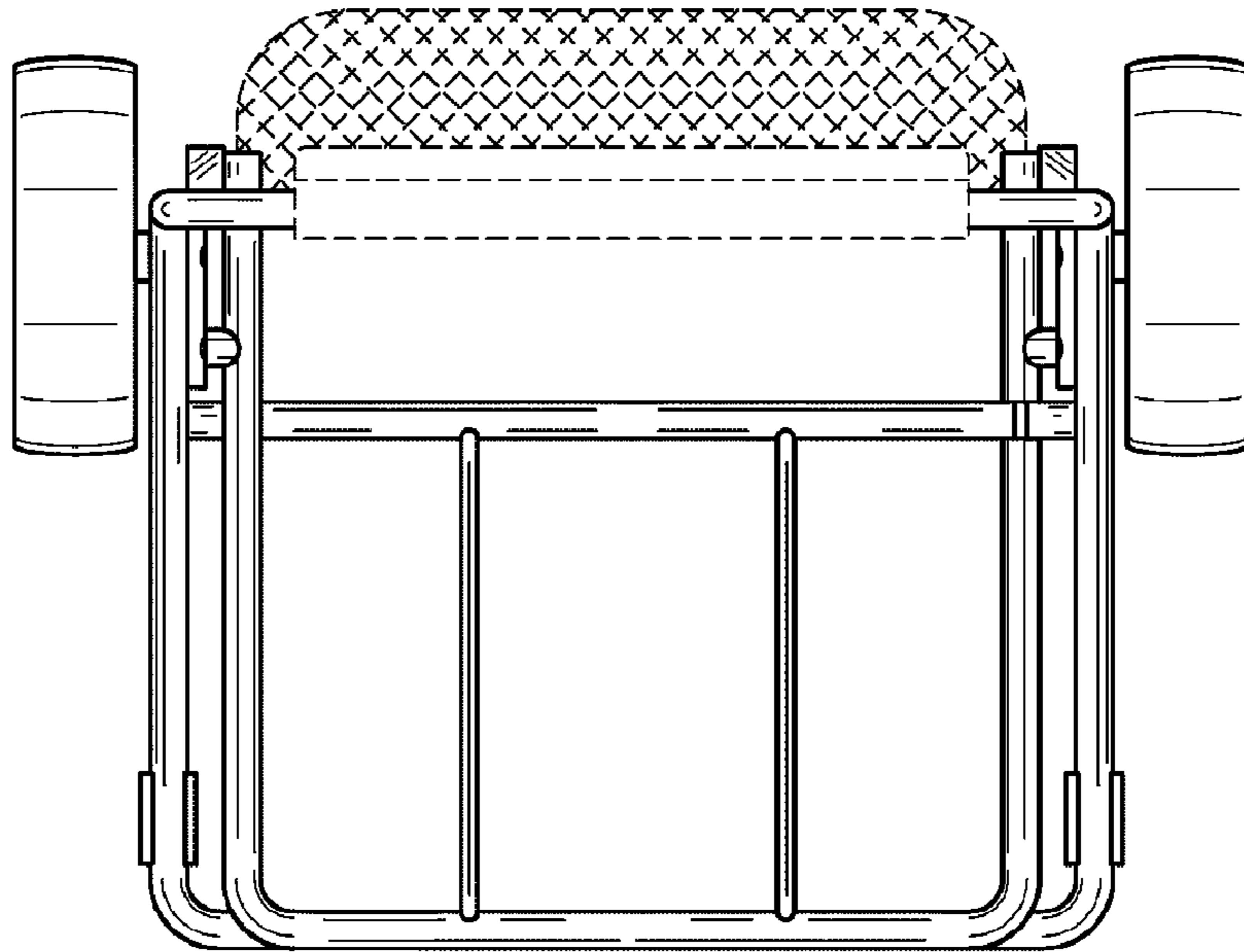


FIG. 4

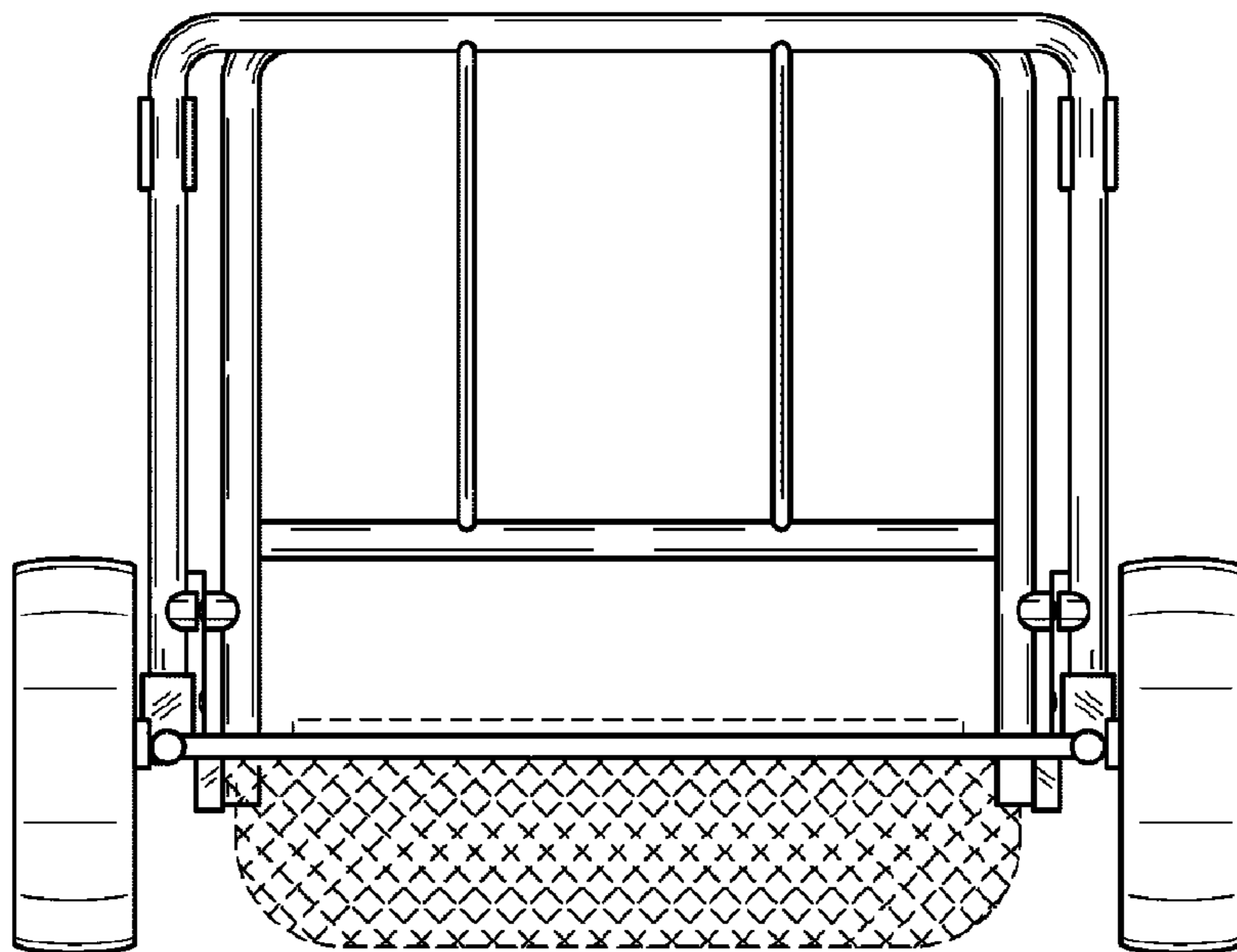


FIG. 5