



US00D655473S

(12) **United States Design Patent**
Moore

(10) **Patent No.:** **US D655,473 S**
(45) **Date of Patent:** **** Mar. 6, 2012**

(54) **COMBINED TRASH AND RECYCLING
RECEPTACLE**

(75) Inventor: **David E. Moore**, Temecula, CA (US)

(73) Assignee: **Compumetric Engineering, Inc.**,
Ontario, CA (US)

(**) Term: **14 Years**

(21) Appl. No.: **29/394,342**

(22) Filed: **Jun. 15, 2011**

(51) **LOC (9) Cl.** **09-09**

(52) **U.S. Cl.** **D34/11**

(58) **Field of Classification Search** D34/1,
D34/5, 6, 7, 8, 9, 10, 11; 220/908, 908.1,
220/911, 909, 912, 913; 40/554, 611.01,
40/611.03, 611.02, 611.06, 605.05, 606.18;
D20/19, 27, 99

See application file for complete search history.

(56) **References Cited**

U.S. PATENT DOCUMENTS

135,396 A 2/1873 Bishop
140,307 A 6/1873 Rand
416,433 A 12/1889 Wilson

(Continued)

FOREIGN PATENT DOCUMENTS

JP 02016275 A 1/1990

(Continued)

OTHER PUBLICATIONS

“Bear Resistant Recycling Enclosures”, Bear Saver, <http://web.archive.org/web/20080318222229/www.bearsaver.com/RecyclingEnclosures.htm>; downloaded from web.archive Feb. 16, 2008.

(Continued)

Primary Examiner — Cynthia Ramirez

(74) *Attorney, Agent, or Firm* — Knobbe, Martens, Olson & Bear, LLP

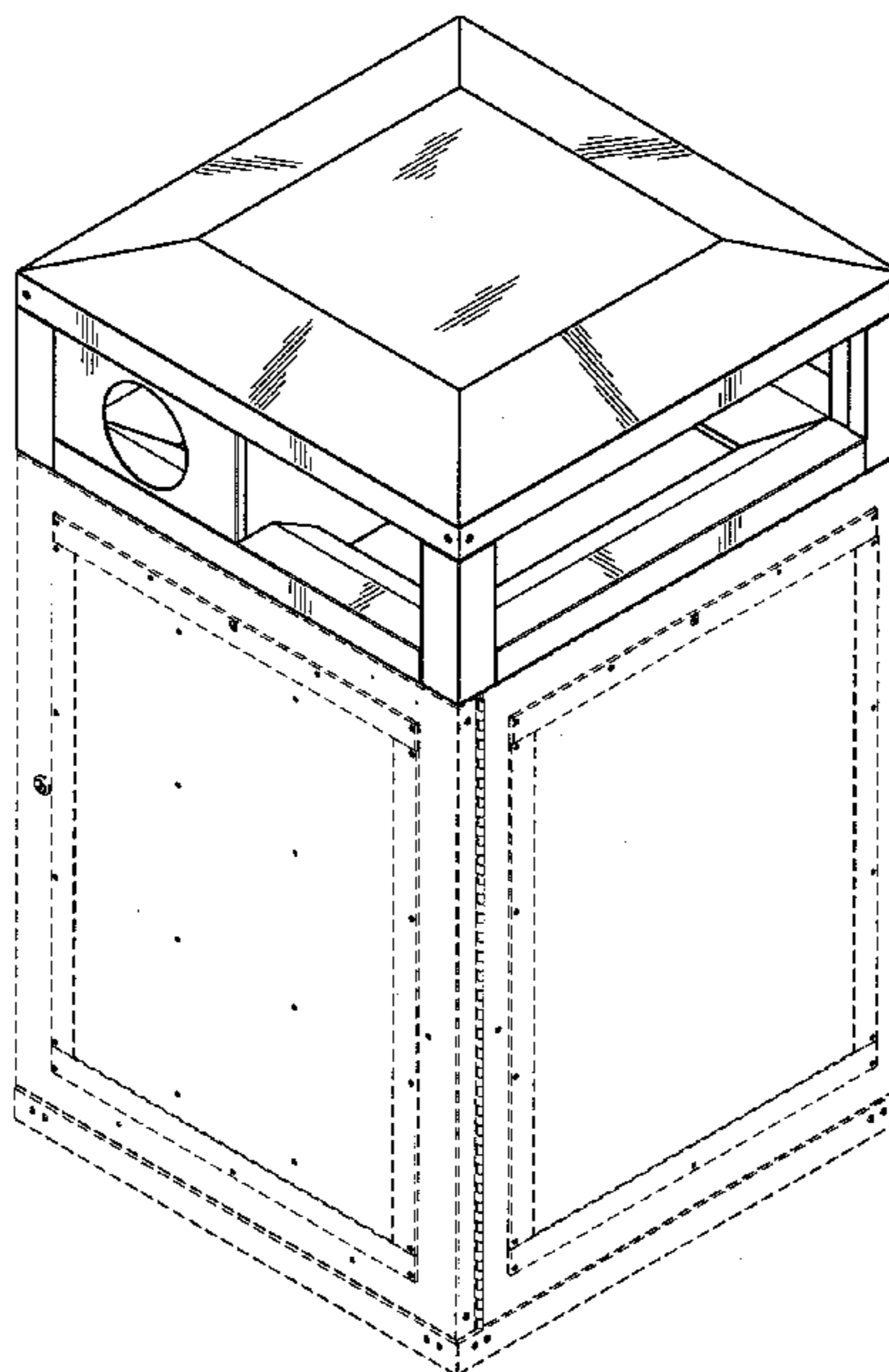
(57) **CLAIM**

The ornamental design for a combined trash and recycling receptacle, as shown and described.

DESCRIPTION

FIG. 1 is a perspective view of a receptacle having a first bottom section of the present invention; FIG. 2 is a first side view of the receptacle of FIG. 1; FIG. 3 is a second side view of the receptacle of FIG. 1; FIG. 4 is a third side view of the receptacle of FIG. 1; FIG. 5 is a fourth side view of the receptacle of FIG. 1; FIG. 6 is top view of the receptacle of FIG. 1; FIG. 7 is a bottom view of the receptacle of FIG. 1; FIG. 8 is a perspective view of the receptacle having a second bottom section of the present invention; FIG. 9 is a first side view of the receptacle of FIG. 8; FIG. 10 is a second side view of the receptacle of FIG. 8; FIG. 11 is a third side view of the receptacle of FIG. 8; FIG. 12 is a fourth side view of the receptacle of FIG. 8; FIG. 13 is top view of the receptacle of FIG. 8; and, FIG. 14 is a bottom view of the receptacle of FIG. 8. The broken lines showing additional features of the receptacle are for illustrative purposes only and form no part of the claimed design.

1 Claim, 14 Drawing Sheets



US D655,473 S

Page 2

U.S. PATENT DOCUMENTS

1,044,047 A 11/1912 Hess
 D54,676 S * 3/1920 Richardson D34/8
 D54,677 S * 3/1920 Richardson D34/8
 1,364,209 A * 1/1921 Richardson 232/1 R
 D57,379 S * 3/1921 Richardson D34/8
 D57,380 S * 3/1921 Richardson et al. D34/8
 D57,593 S * 4/1921 Dickerman D34/8
 1,424,519 A * 8/1922 Richardson 40/306
 1,424,520 A * 8/1922 Richardson et al. 220/254.2
 1,447,462 A 3/1923 Butscher et al.
 1,460,166 A 6/1923 McArthur
 1,515,612 A 11/1924 O'Connor
 1,865,205 A 6/1932 Palmquist
 1,870,746 A 8/1932 Pyle
 1,922,062 A 8/1933 Sullivan
 2,075,495 A 3/1937 Aten
 2,169,692 A 8/1939 Hansen
 2,194,408 A 3/1940 Sluss
 D120,270 S * 4/1940 Martinez D34/7
 2,594,253 A 4/1952 Vander Veer
 2,946,640 A 7/1960 Sitler
 3,084,965 A 4/1963 Carosello
 3,222,517 A * 12/1965 Peter 362/350
 3,586,360 A 6/1971 Perrotta
 3,793,756 A * 2/1974 Kay et al. 40/306
 3,803,738 A * 4/1974 Weiss 40/306
 D234,288 S * 2/1975 Kay et al. D34/1
 3,953,061 A 4/1976 Hansel et al.
 3,999,792 A 12/1976 Smith
 4,046,412 A 9/1977 Lee
 4,319,762 A 3/1982 Streit et al.
 4,854,448 A 8/1989 Hair, II
 5,029,909 A 7/1991 Bunger
 5,092,143 A 3/1992 Rumbles
 D327,152 S 6/1992 Rose et al.
 5,118,037 A 6/1992 Ekegren
 D328,659 S 8/1992 Brenner et al.
 D332,332 S 1/1993 Markey
 D333,541 S 2/1993 Kropf
 D338,758 S * 8/1993 Sexton et al. D34/7
 D345,239 S 3/1994 Cooper
 5,341,752 A 8/1994 Hambleton
 5,385,258 A 1/1995 Sutherlin
 D356,419 S 3/1995 Kamm
 5,470,115 A 11/1995 Berg et al.
 5,509,700 A 4/1996 Kennedy, Jr.
 5,601,206 A 2/1997 Haas et al.
 D381,156 S 7/1997 Kent
 D389,631 S 1/1998 Peters
 6,065,314 A 5/2000 Nicholson
 D446,373 S 8/2001 Weiss et al.
 6,454,320 B1 9/2002 Weinerman et al.
 6,508,087 B2 1/2003 Lamley et al.

D480,854 S 10/2003 Hardy et al.
 6,688,656 B1 2/2004 Becken
 6,771,183 B2 8/2004 Hunter
 6,783,162 B1 8/2004 Harper
 D507,687 S 7/2005 Moon et al.
 7,062,945 B2 6/2006 Saitoh et al.
 D536,853 S 2/2007 Presnell
 D537,223 S 2/2007 Lin
 D537,596 S 2/2007 Marshall
 D538,995 S 3/2007 Lin
 D545,374 S 6/2007 Gollob
 7,237,812 B2 7/2007 Tweedy
 D549,418 S * 8/2007 Boydston et al. D34/1
 D551,414 S * 9/2007 Weiss D34/1
 D558,421 S 12/2007 DesLaurier
 D558,947 S 1/2008 Gardner et al.
 D566,921 S 4/2008 Skalka
 D577,171 S 9/2008 Moore
 D587,874 S 3/2009 Lin
 D606,721 S 12/2009 Moore
 D612,560 S 3/2010 Moore
 D613,019 S 3/2010 Moore
 7,681,752 B2 3/2010 Moore
 7,775,564 B2 8/2010 Moore
 2004/0069787 A1 * 4/2004 Gruennert et al. 220/503
 2007/0046032 A1 3/2007 Moore
 2007/0084865 A1 4/2007 Moore
 2010/0181316 A1 7/2010 Moore
 2010/0307062 A1 12/2010 Moore
 2011/0000011 A1 * 1/2011 Gebka 4/321

FOREIGN PATENT DOCUMENTS

JP 06101378 A 4/1994

OTHER PUBLICATIONS

“Bear Resistant Trash Enclosures”, Bear Saver, <http://web.archive.org/web/20080402133700.www.bearsaver.com/TrashEnclosures.htm>; downloaded from web.archive Feb. 16, 2008.
 “Non Bear Resistant Trash and Recycling Enclosures”, Bear Saver, <http://web.archive.org/web/20080219235907/www.bearsaver.com/TrashAndRecycling.htm>; downloaded from web.archive Feb. 16, 2008.
 U.S. Appl. No. 12/857,484, filed Aug. 16, 2010, Moore, 2010-0307062, Feb. 17, 2011.
 U.S. Appl. No. 12/728,155, filed Mar. 19, 2010, Moore, 2010-0181316.
 U.S. Appl. No. 29/364,355, filed Jun. 22, 2010, Moore.
 U.S. Appl. No. 29/394,340, filed Jun. 15, 2011, Moore.
 U.S. Appl. No. 29/394,341, filed Jun. 15, 2011, Moore.
 U.S. Appl. No. 29/394,336, filed Jun. 15, 2011, Moore.
 U.S. Appl. No. 29/394,339, filed Jun. 15, 2011, Moore.

* cited by examiner

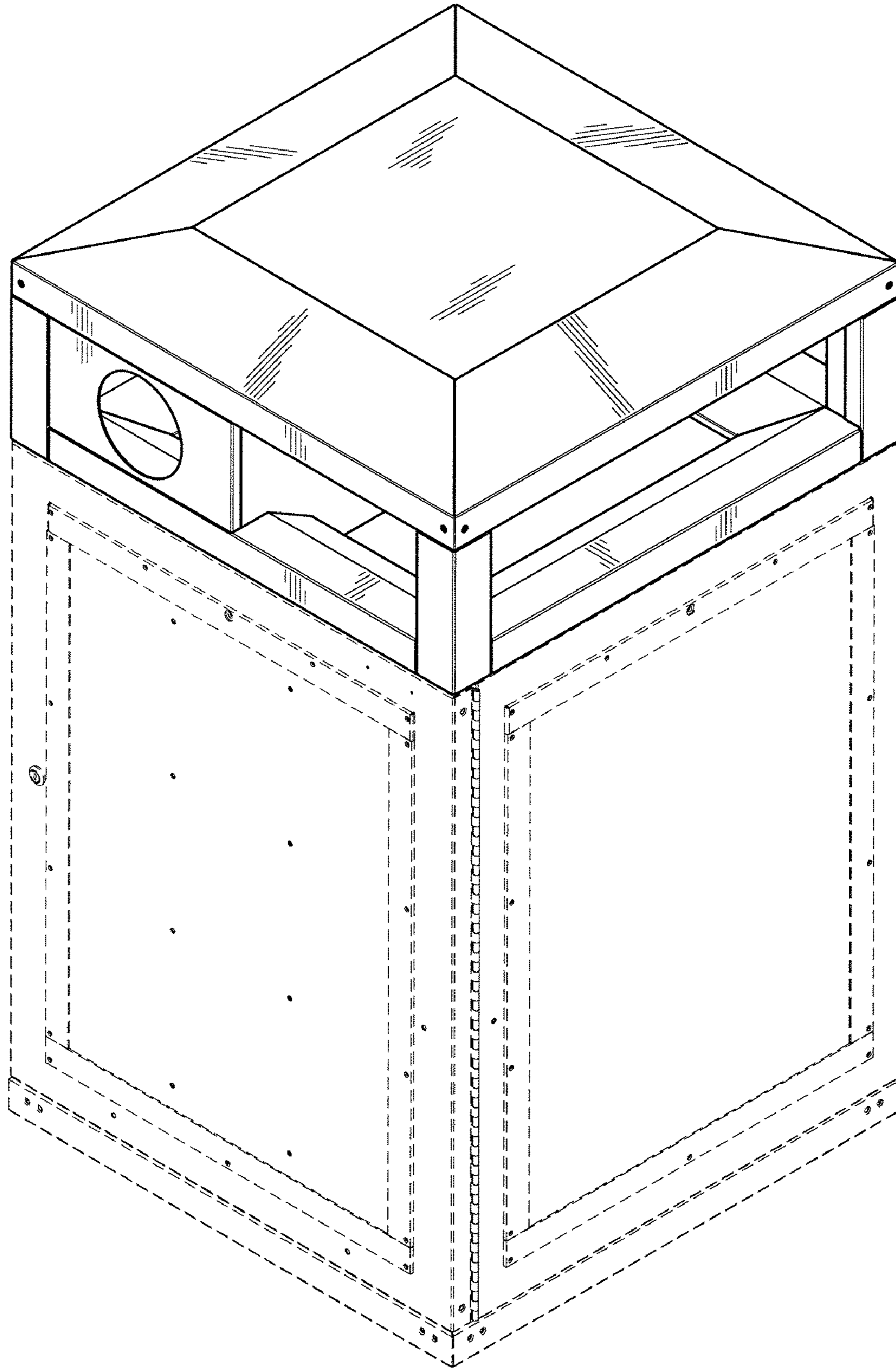


FIG. 1

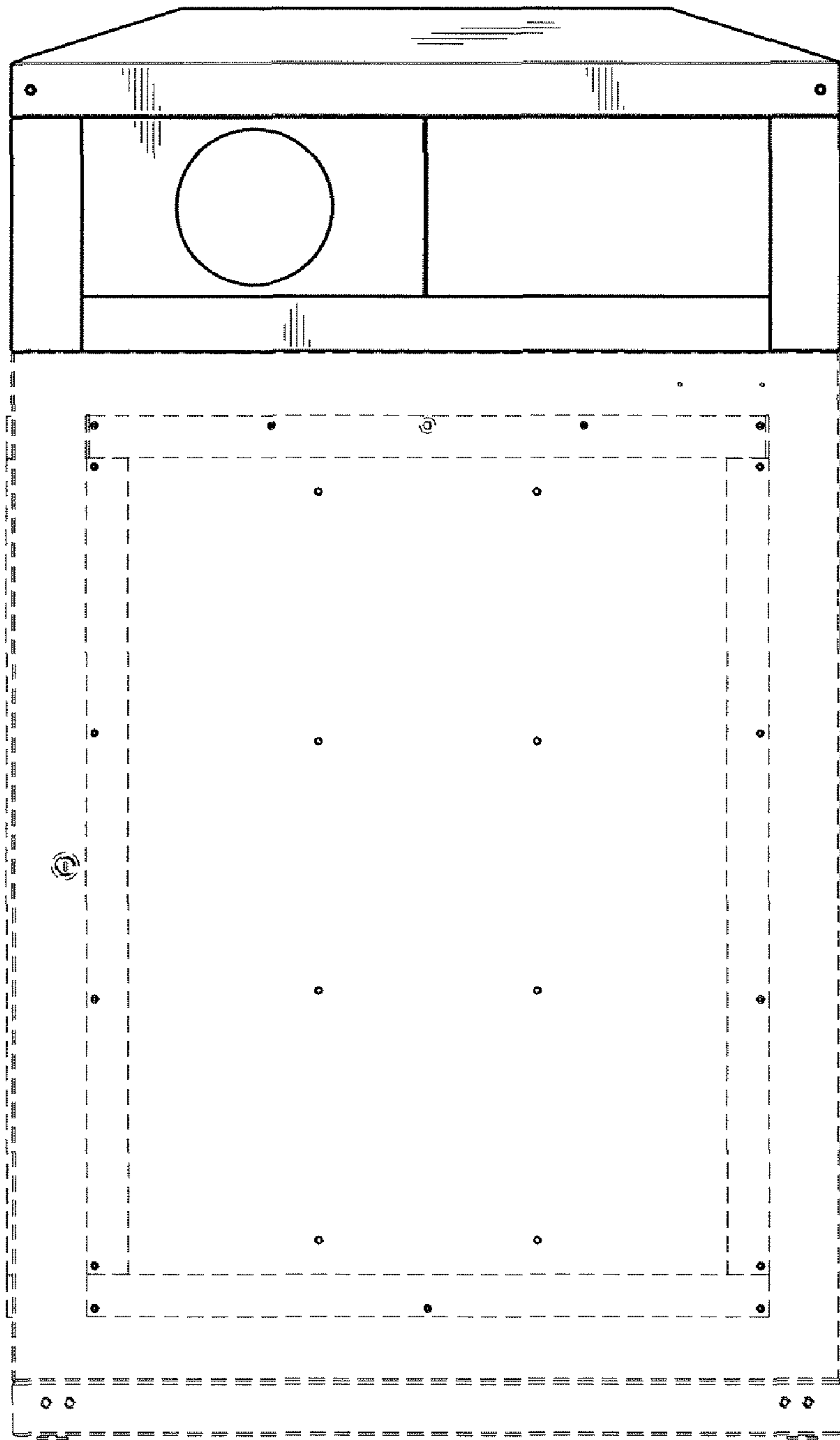


FIG. 2

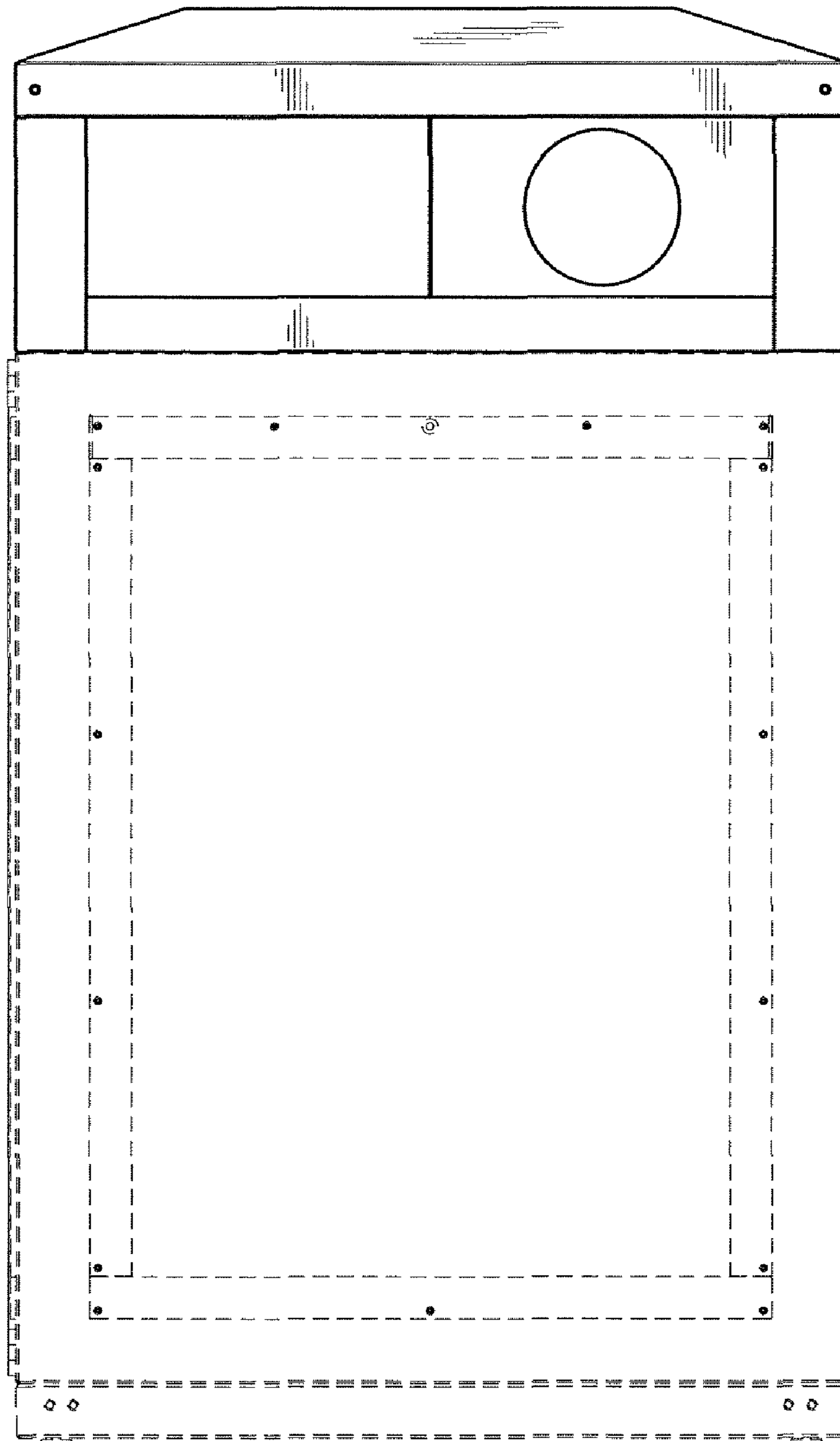


FIG. 3

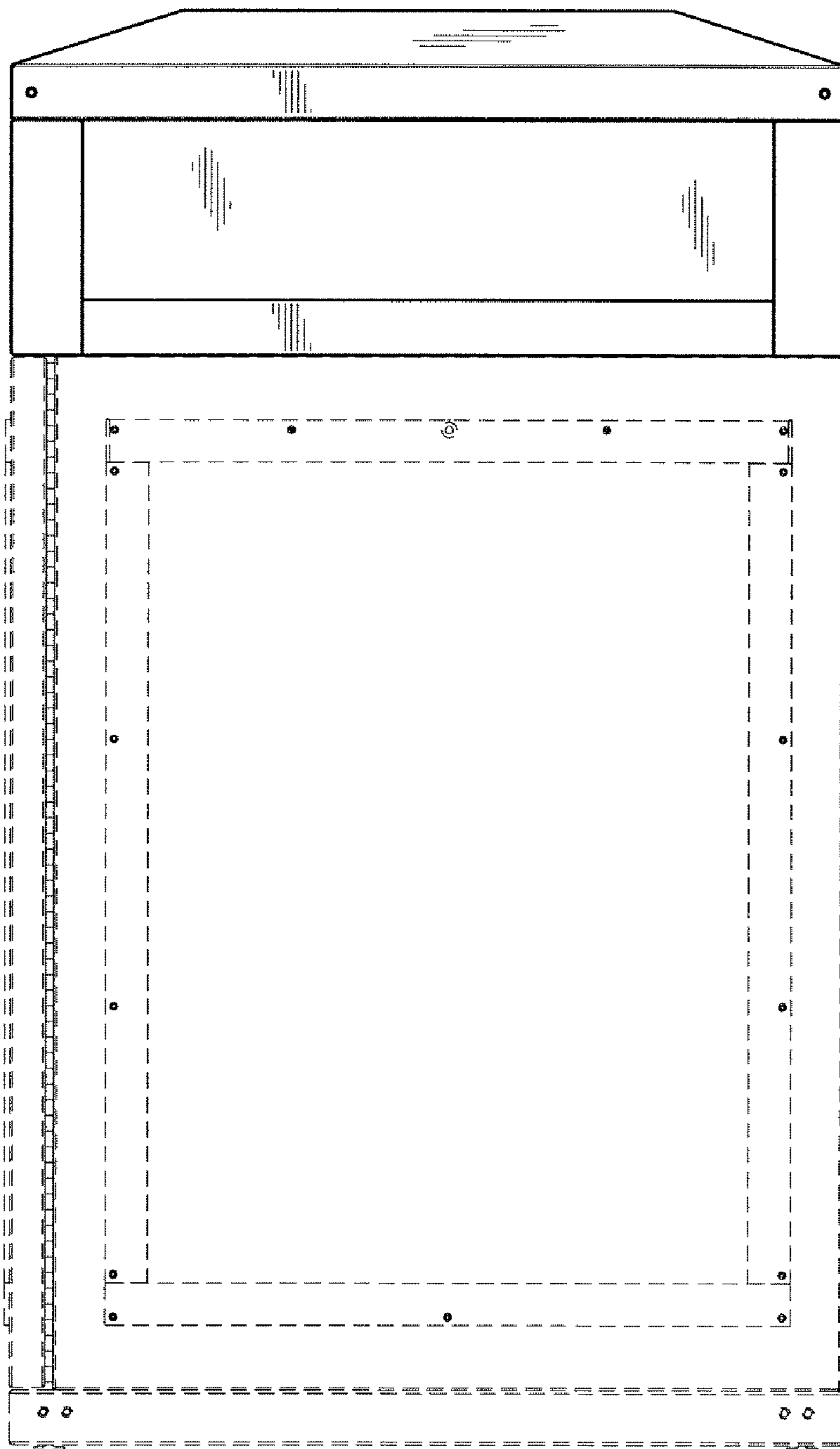


FIG. 4

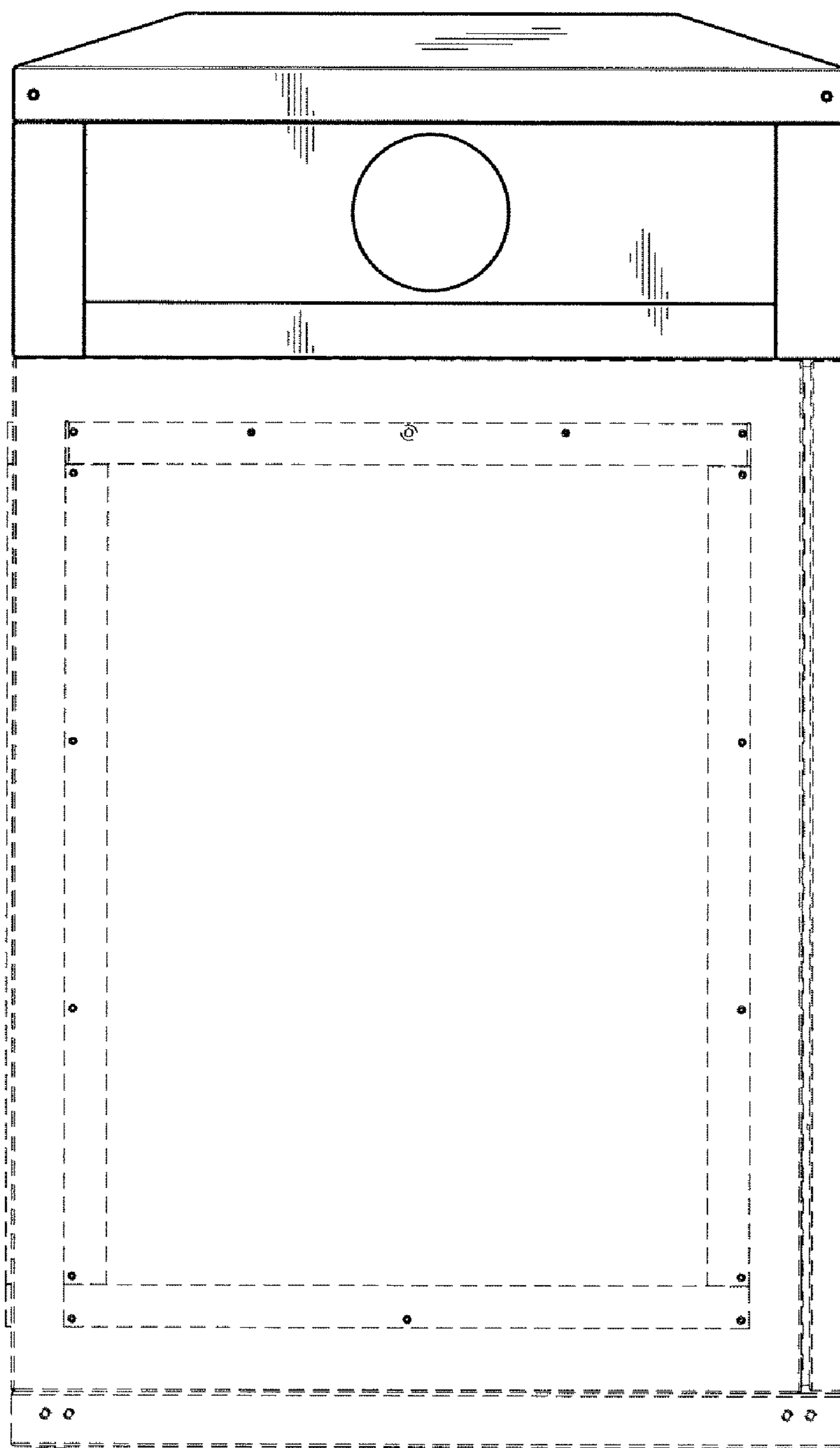


FIG. 5

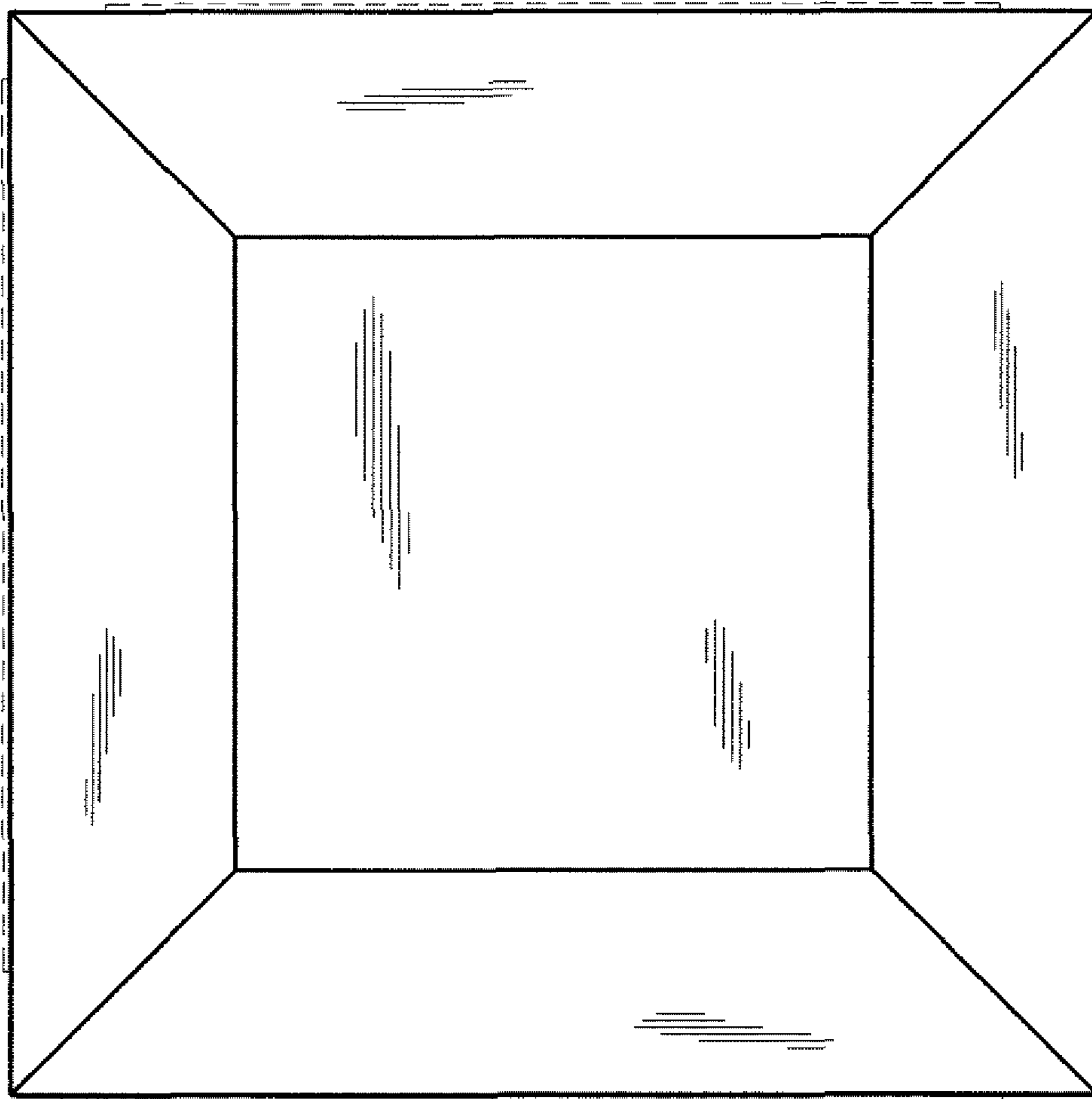


FIG. 6

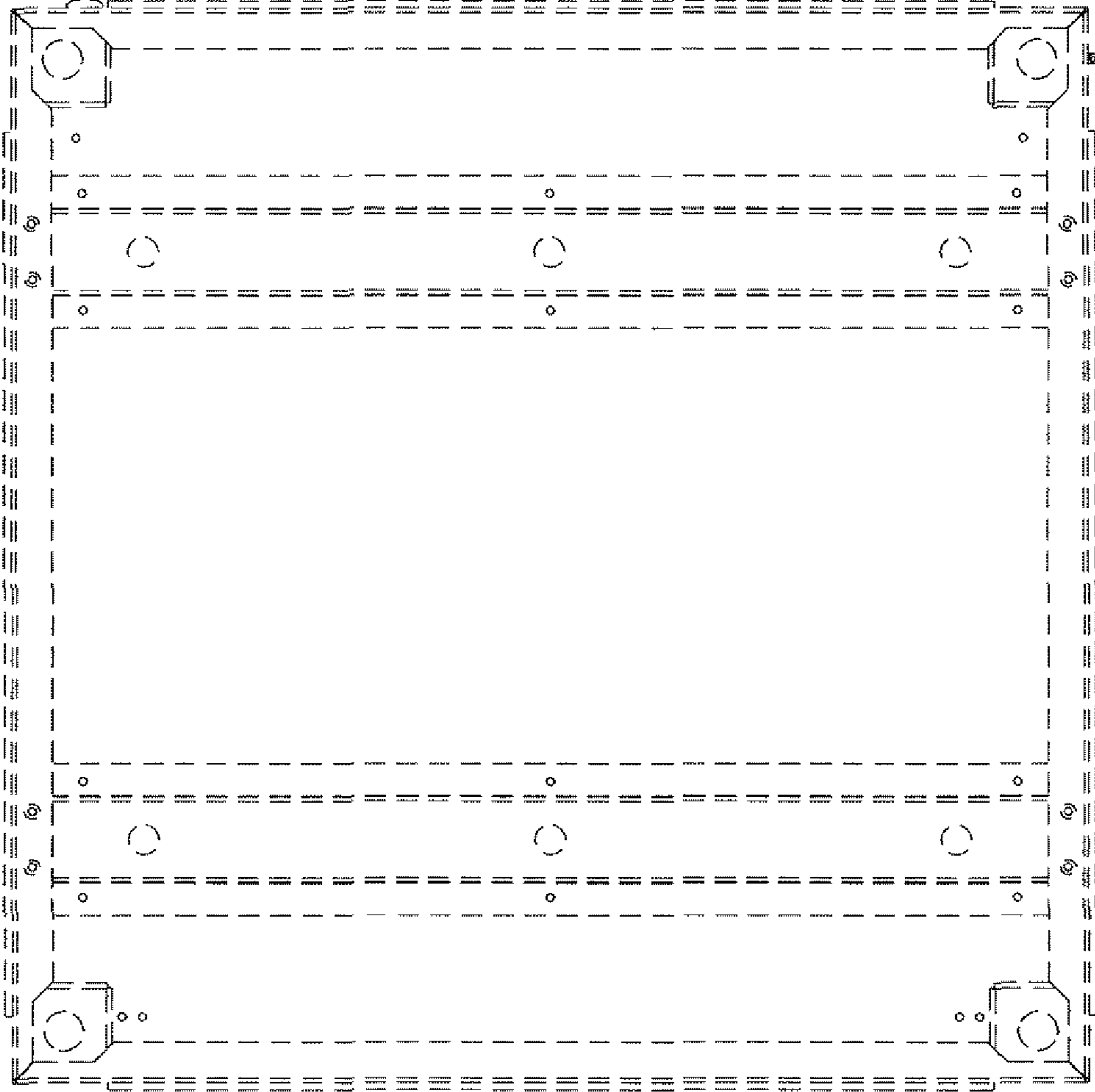


FIG. 7

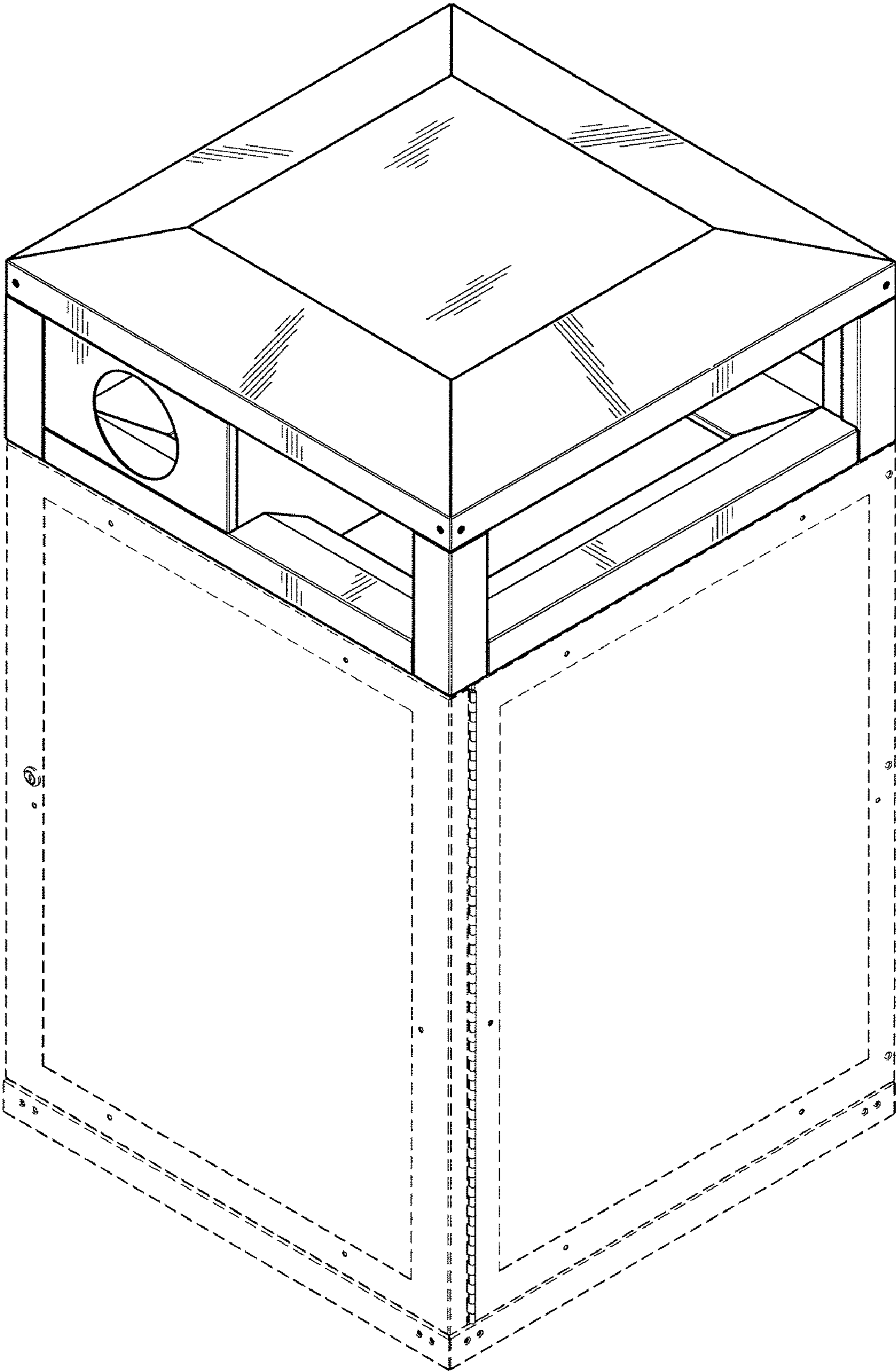


FIG. 8

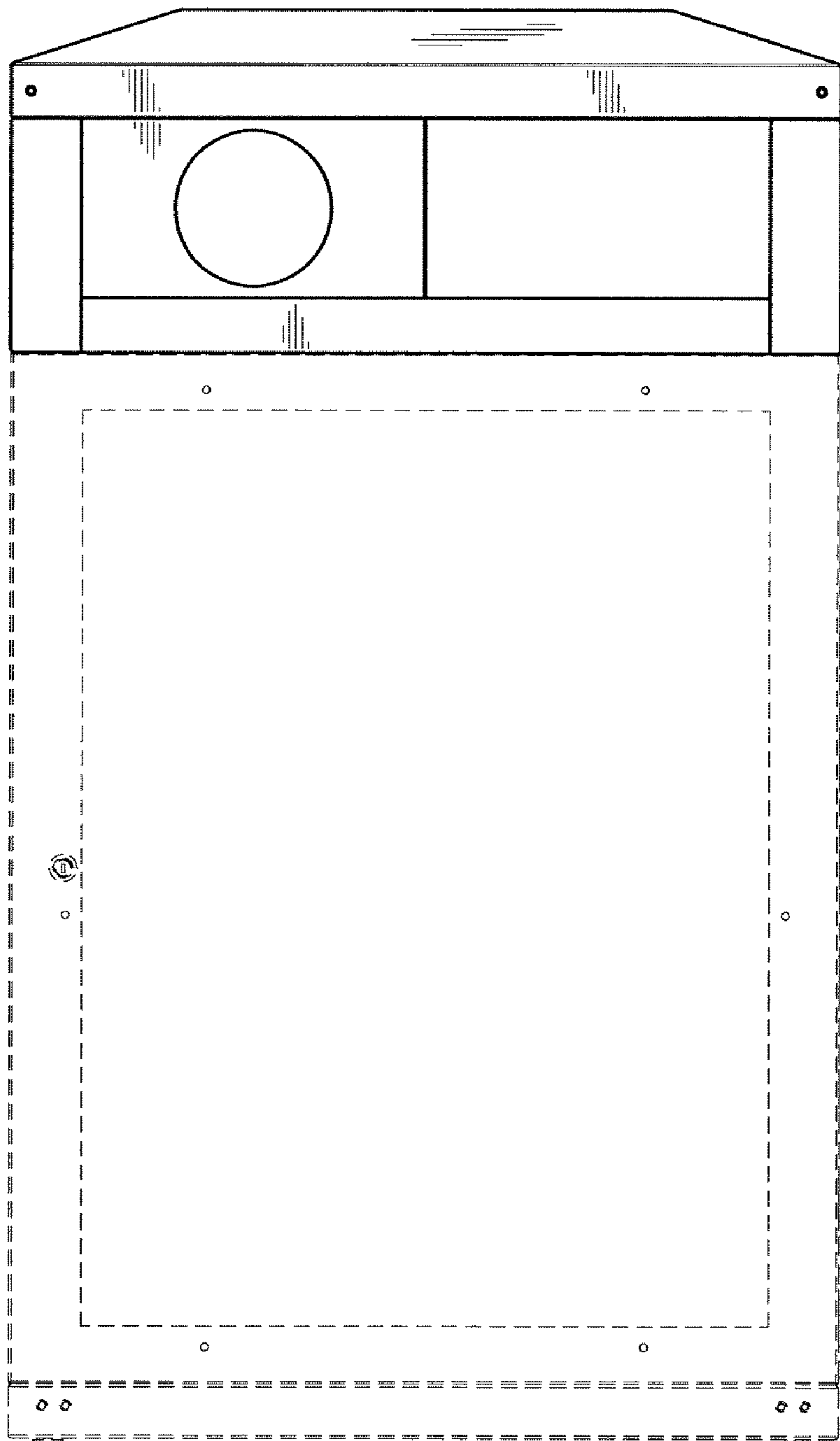


FIG. 9

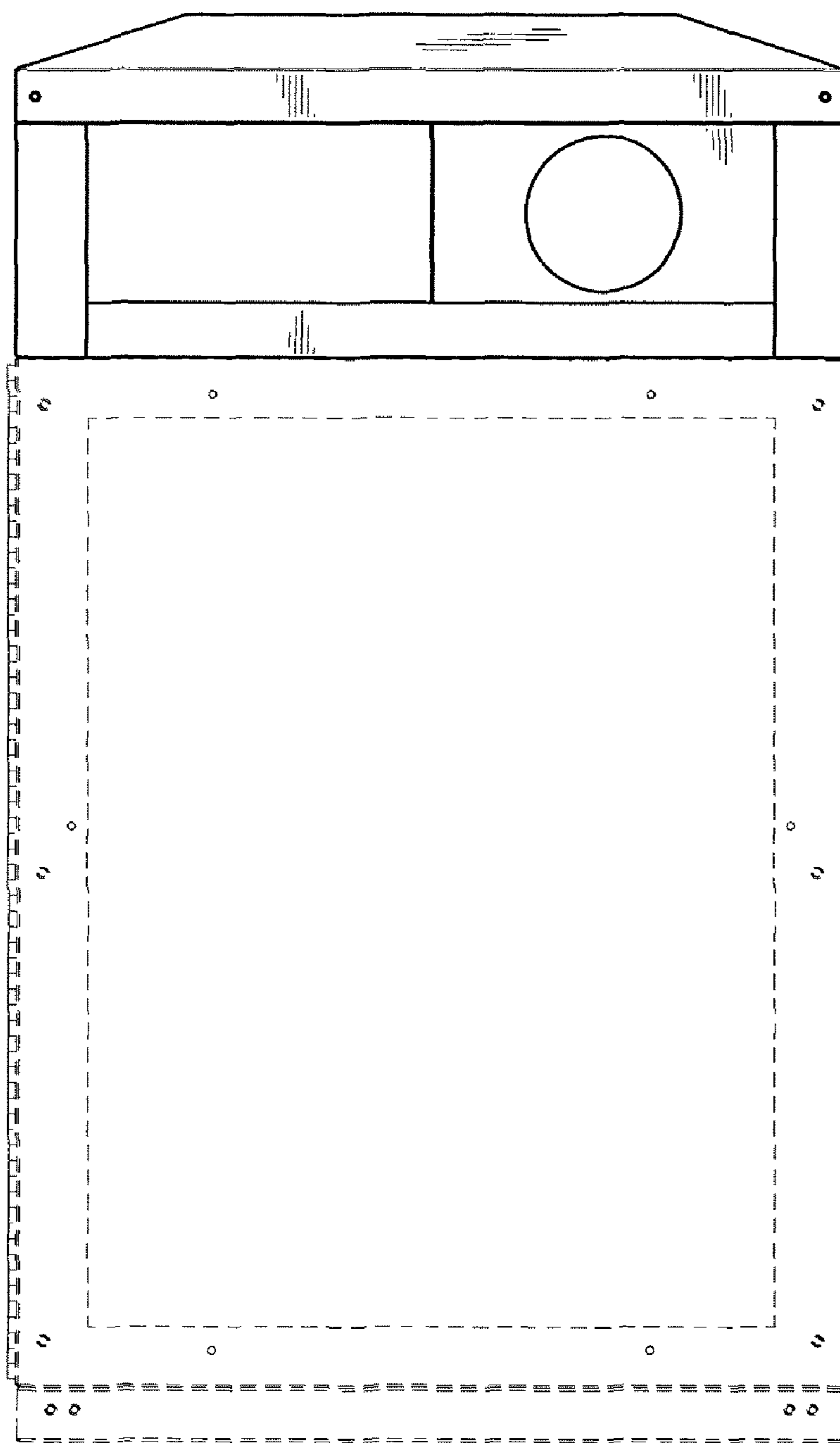


FIG. 10

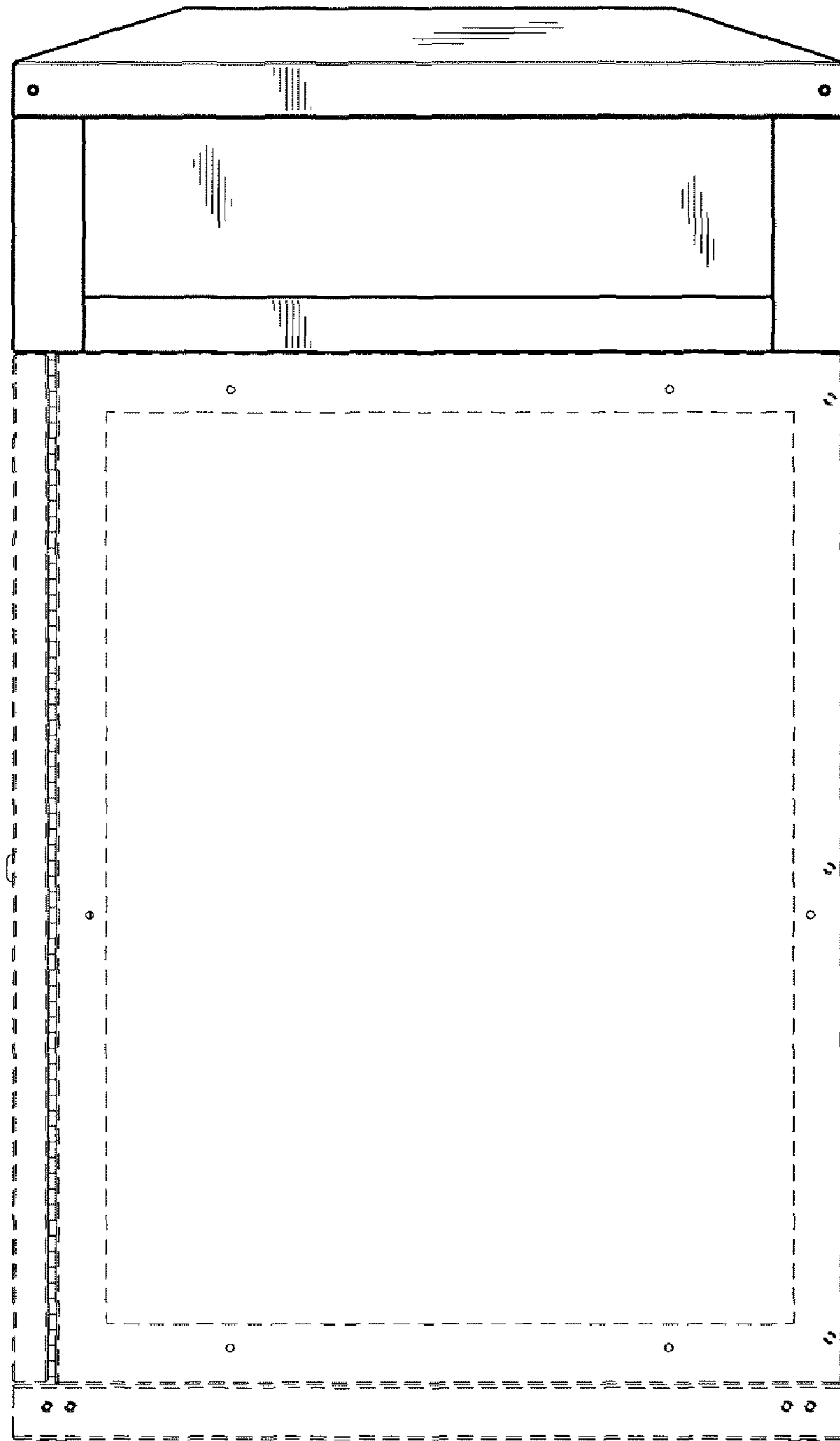


FIG. 11

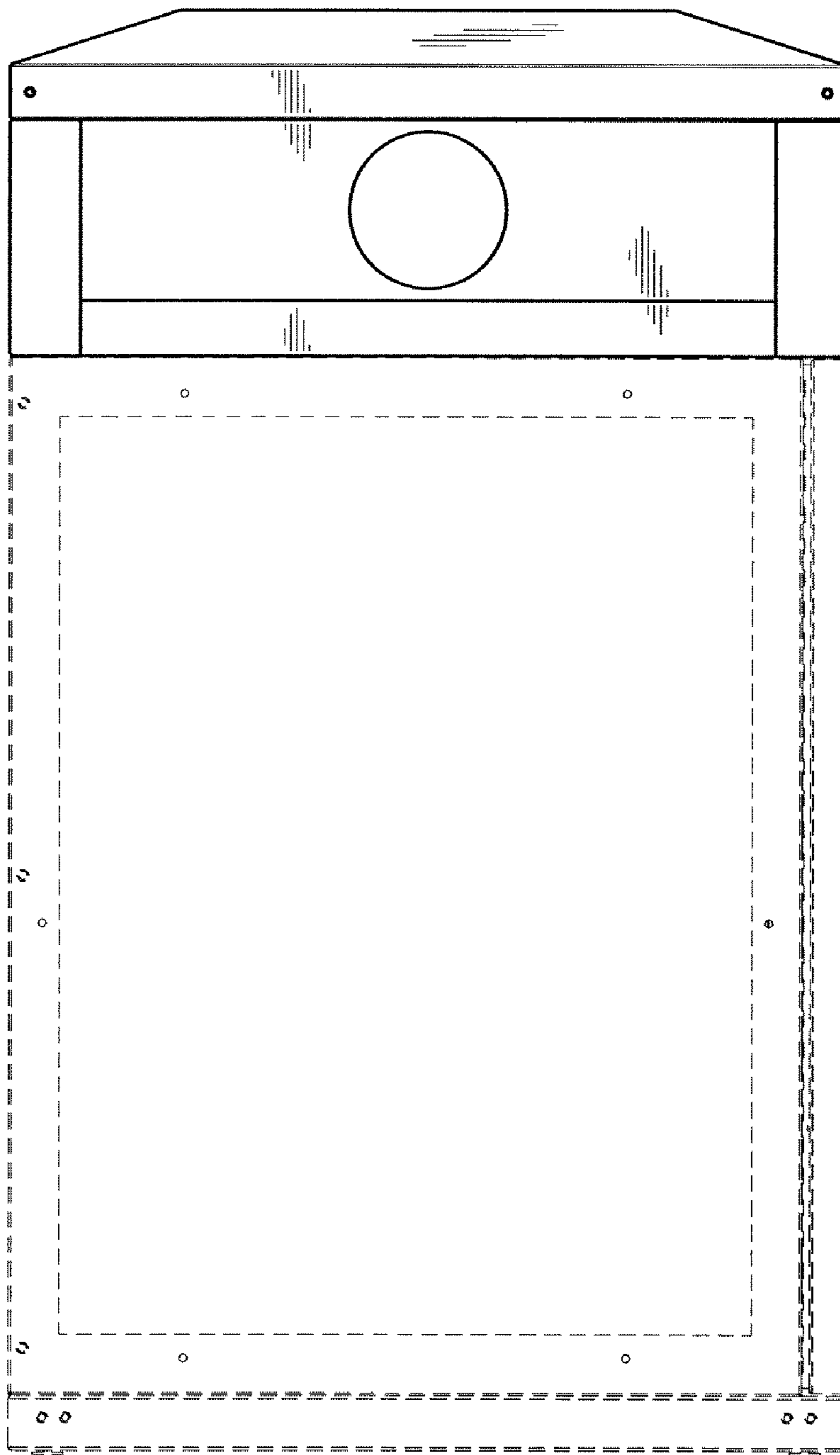


FIG. 12

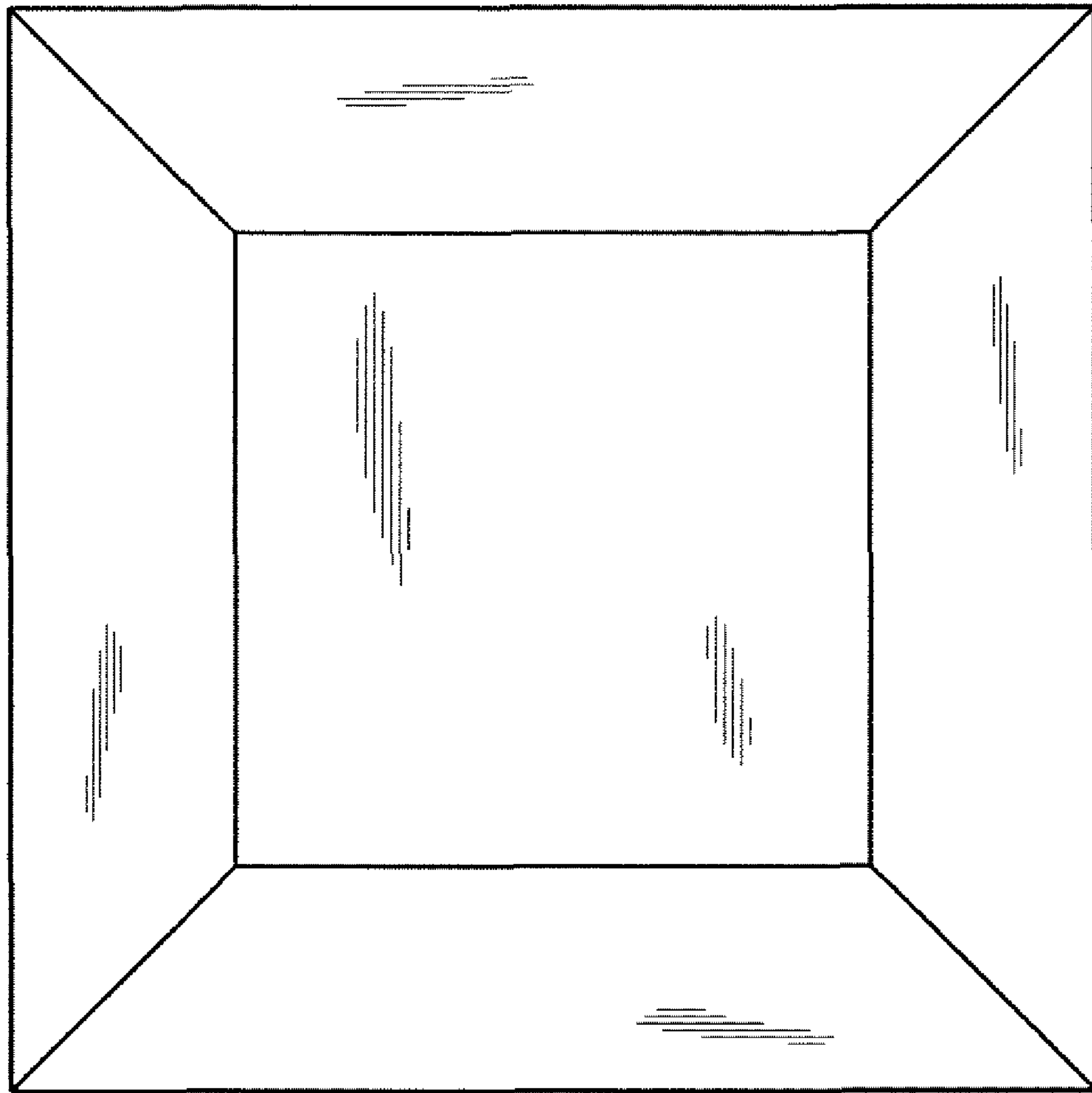


FIG. 13

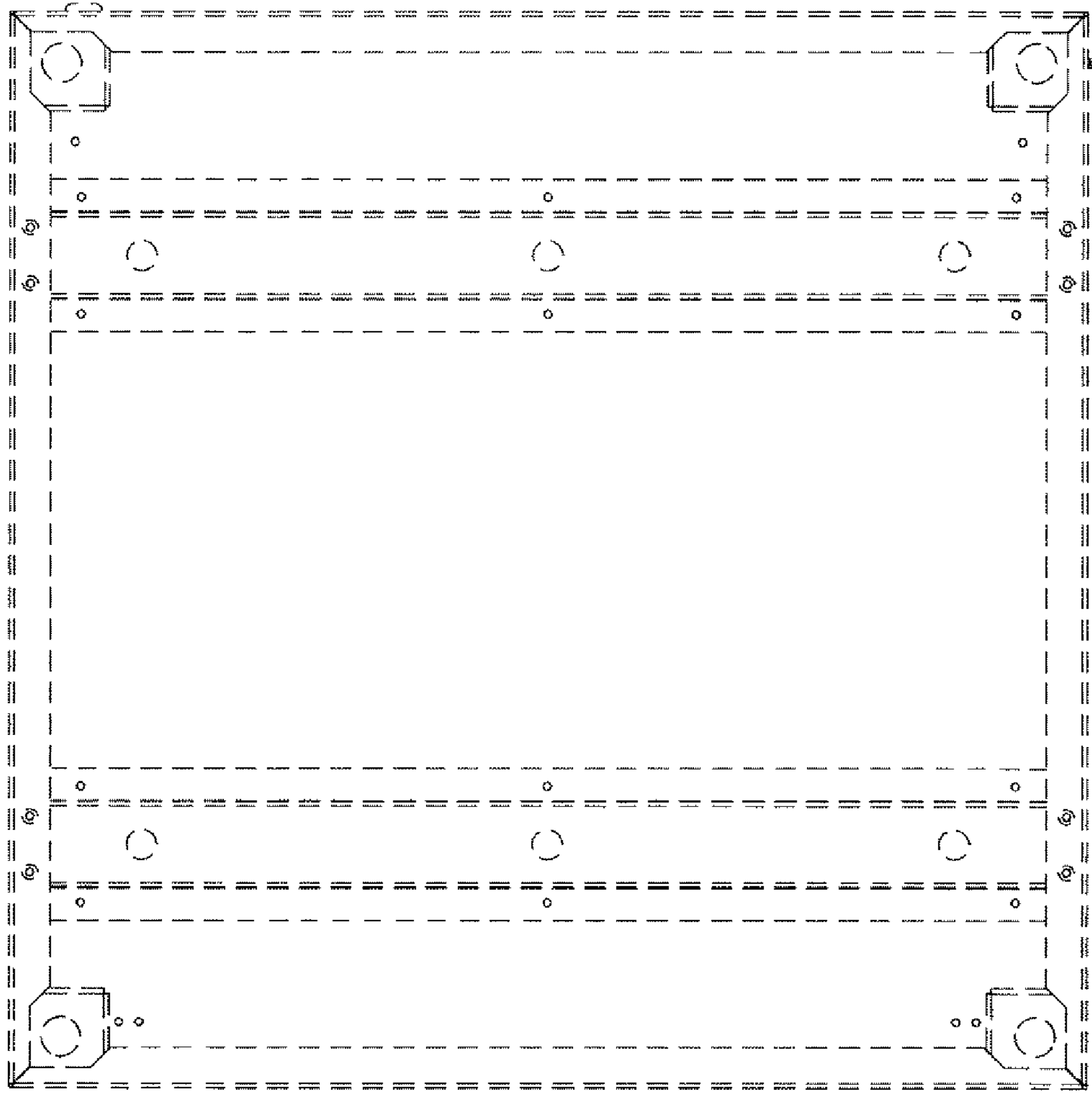


FIG. 14