



US00D655471S

(12) **United States Design Patent**  
**Schnatter**

(10) **Patent No.:** **US D655,471 S**  
(45) **Date of Patent:** **\*\* Mar. 6, 2012**

- (54) **SAUCE LEVELER DEVICE**
- (75) Inventor: **John H. Schnatter**, Anchorage, KY (US)
- (73) Assignee: **Papa John's International, Inc.**, Louisville, KY (US)
- (\*\*) Term: **14 Years**
- (21) Appl. No.: **29/369,431**
- (22) Filed: **Sep. 8, 2010**
- (51) **LOC (9) Cl.** ..... **07-07**
- (52) **U.S. Cl.** ..... **D32/53**
- (58) **Field of Classification Search** ..... D32/53,  
D32/53.1, 54; 220/755, 760, 764, 699; 16/425,  
16/444  
See application file for complete search history.

- 6,494,341 B2 \* 12/2002 Perkins et al. .... 220/764
- 6,536,078 B2 \* 3/2003 Tsai ..... 16/114.1
- D498,339 S 11/2004 Doelling
- 6,820,848 B1 11/2004 Adam
- D530,052 S \* 10/2006 Berti ..... D32/53
- D631,630 S \* 1/2011 Berti ..... D32/53
- 2005/0133518 A1 6/2005 Chornenky
- \* cited by examiner

*Primary Examiner* — Robin V Webster  
(74) *Attorney, Agent, or Firm* — Chad D. Bruggeman; John F. Salazar; Middleton Reutlinger

(57) **CLAIM**  
The ornamental design for a sauce leveler device, as shown and described.

**DESCRIPTION**

FIG. 1 is a top perspective view of the sauce leveler device; FIG. 2 is a top view of the sauce leveler device according to FIG. 1; FIG. 3 is a bottom view of the sauce leveler device according to FIG. 1; FIG. 4 is a bottom view of the sauce leveler device according to FIG. 3 with the broken lines directed to the environment removed; FIG. 5 is a back view of the sauce leveler device according to FIG. 1; FIG. 6 is a front view of the sauce leveler device according to FIG. 1; FIG. 7 is a right side view of the sauce leveler device according to FIG. 1; and, FIG. 8 is a left side view of the sauce leveler device according to FIG. 1.

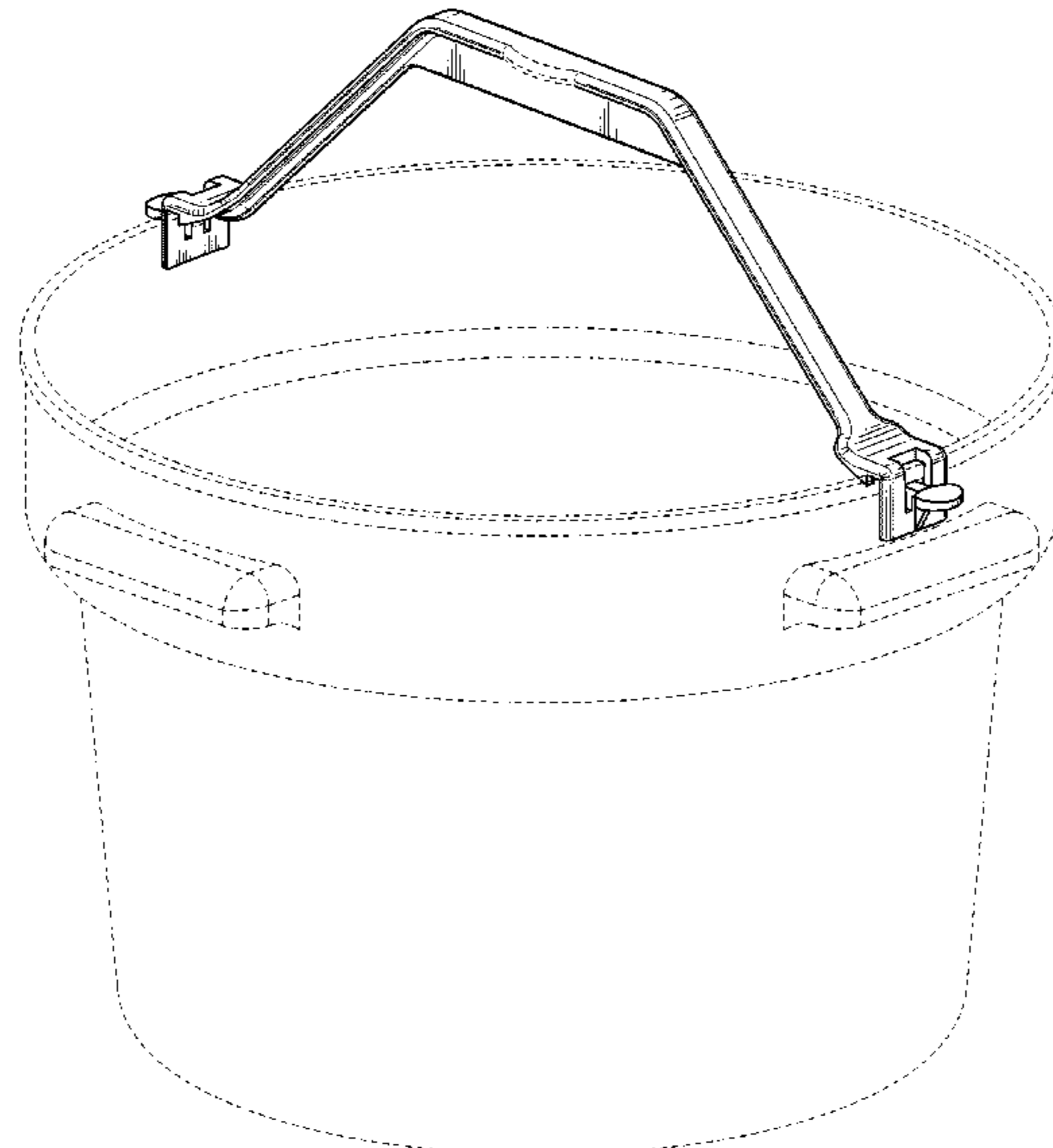
The broken lines immediately adjacent the shaded areas represent the bounds of the claimed design while all other broken lines are directed to environment and are for illustrative purposes only; the broken lines form no part of the claimed design.

(56) **References Cited**

U.S. PATENT DOCUMENTS

375,517	A	12/1887	Vogel	
D32,443	S	* 4/1900	Zimmerman	..... D32/54
853,493	A	5/1907	Bradbury	
1,700,585	A	1/1929	Grismer	
1,994,335	A	3/1935	Churan	
2,026,536	A	* 1/1936	Hothersall	..... 220/755
2,156,274	A	* 5/1939	Brown	..... 217/125
2,329,507	A	9/1943	Andersen	
2,355,549	A	8/1944	Myers	
2,452,025	A	10/1948	Dunn	
RE23,911	E	12/1954	Tatter	
2,812,103	A	11/1957	Walker et al.	
2,943,761	A	7/1960	Monier	
3,019,939	A	2/1962	Brown	
3,061,140	A	10/1962	Barnes	
3,291,337	A	* 12/1966	Jenkins	..... 220/697
3,586,200	A	* 6/1971	Kramer et al.	..... 220/755
5,626,319	A	5/1997	Fusillo	
5,924,593	A	* 7/1999	Rutledge et al.	..... 220/695
D415,597	S	10/1999	Neff	
D446,618	S	8/2001	Clark	

**1 Claim, 7 Drawing Sheets**



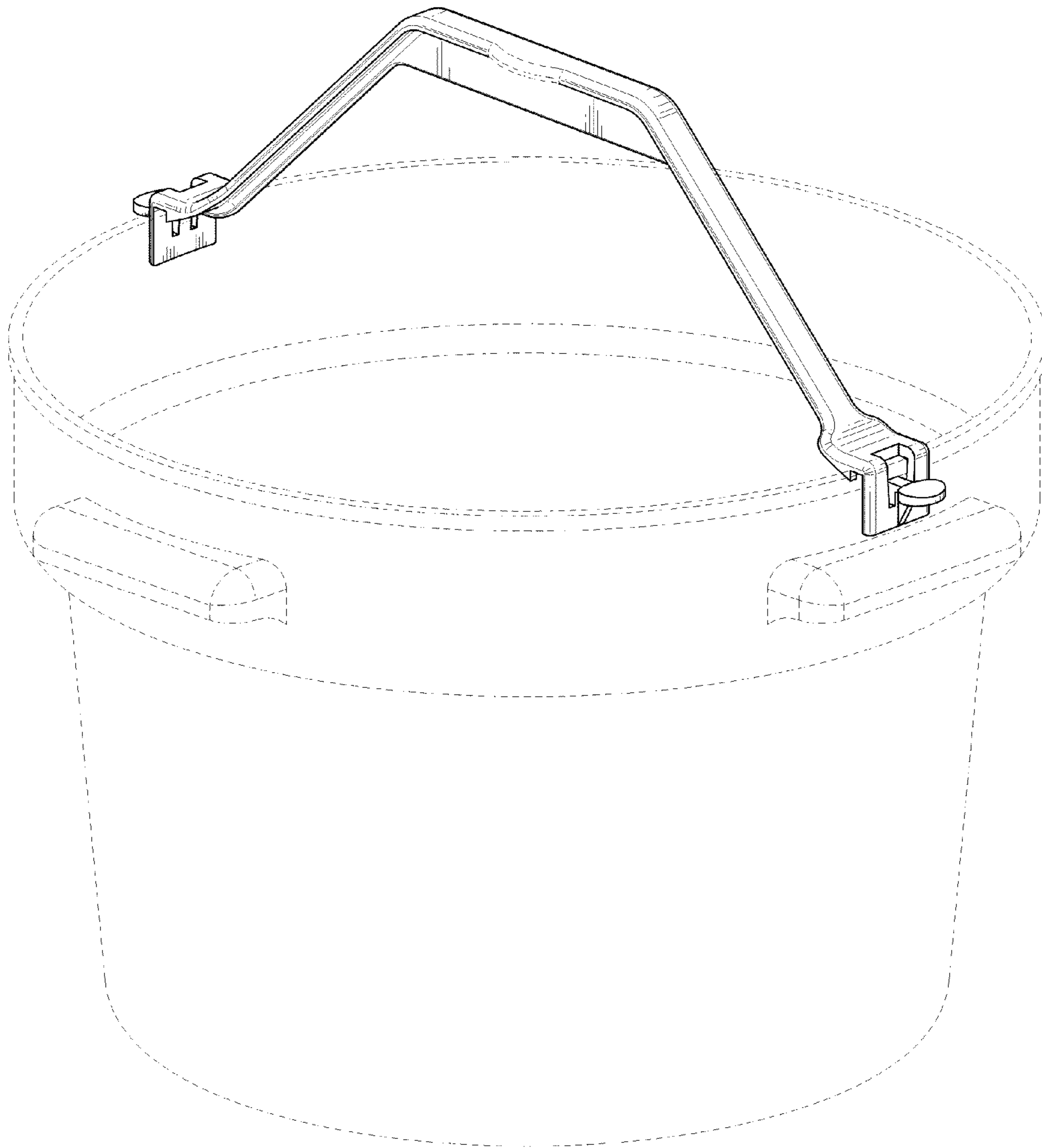


FIG. 1

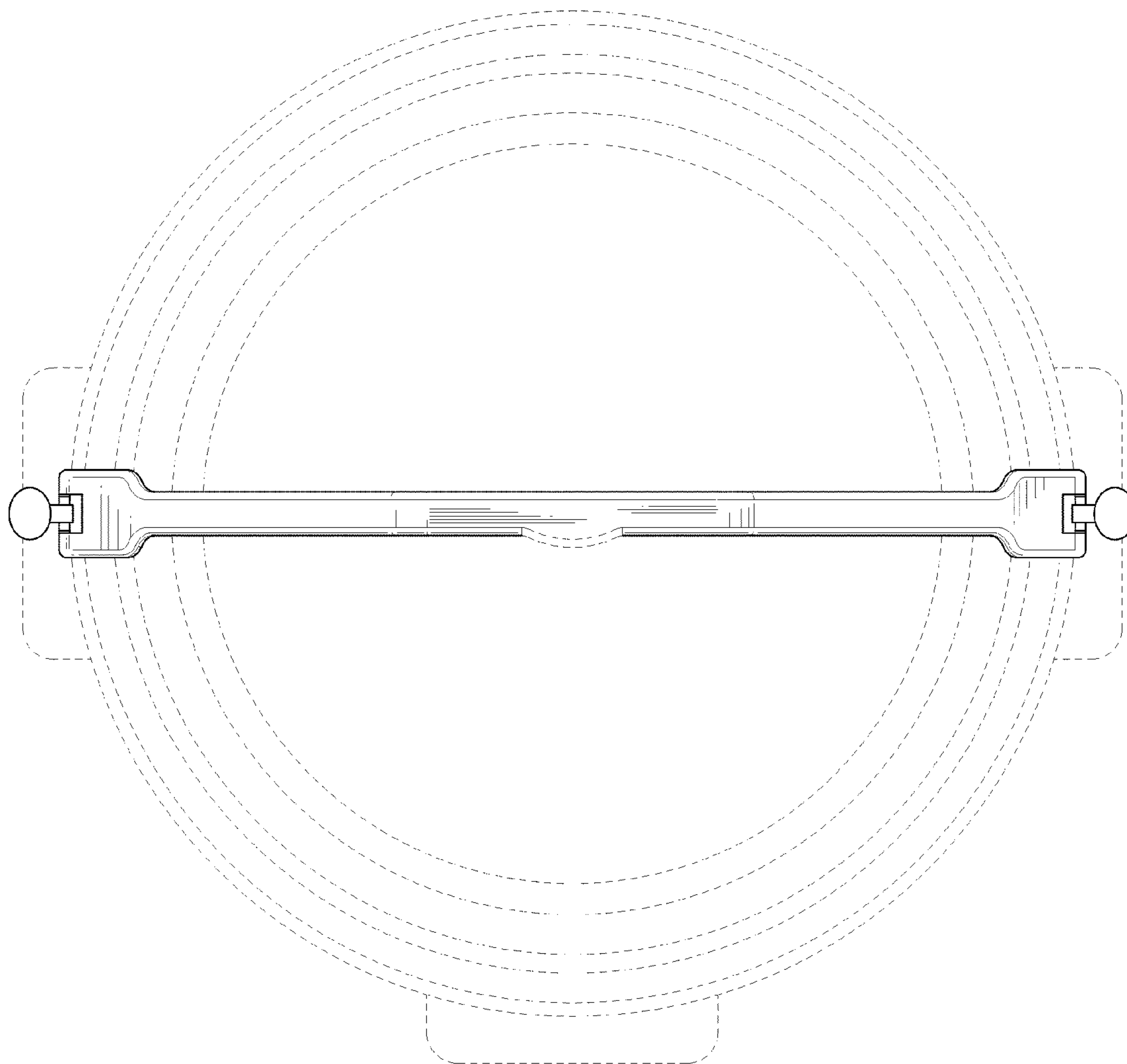


FIG. 2

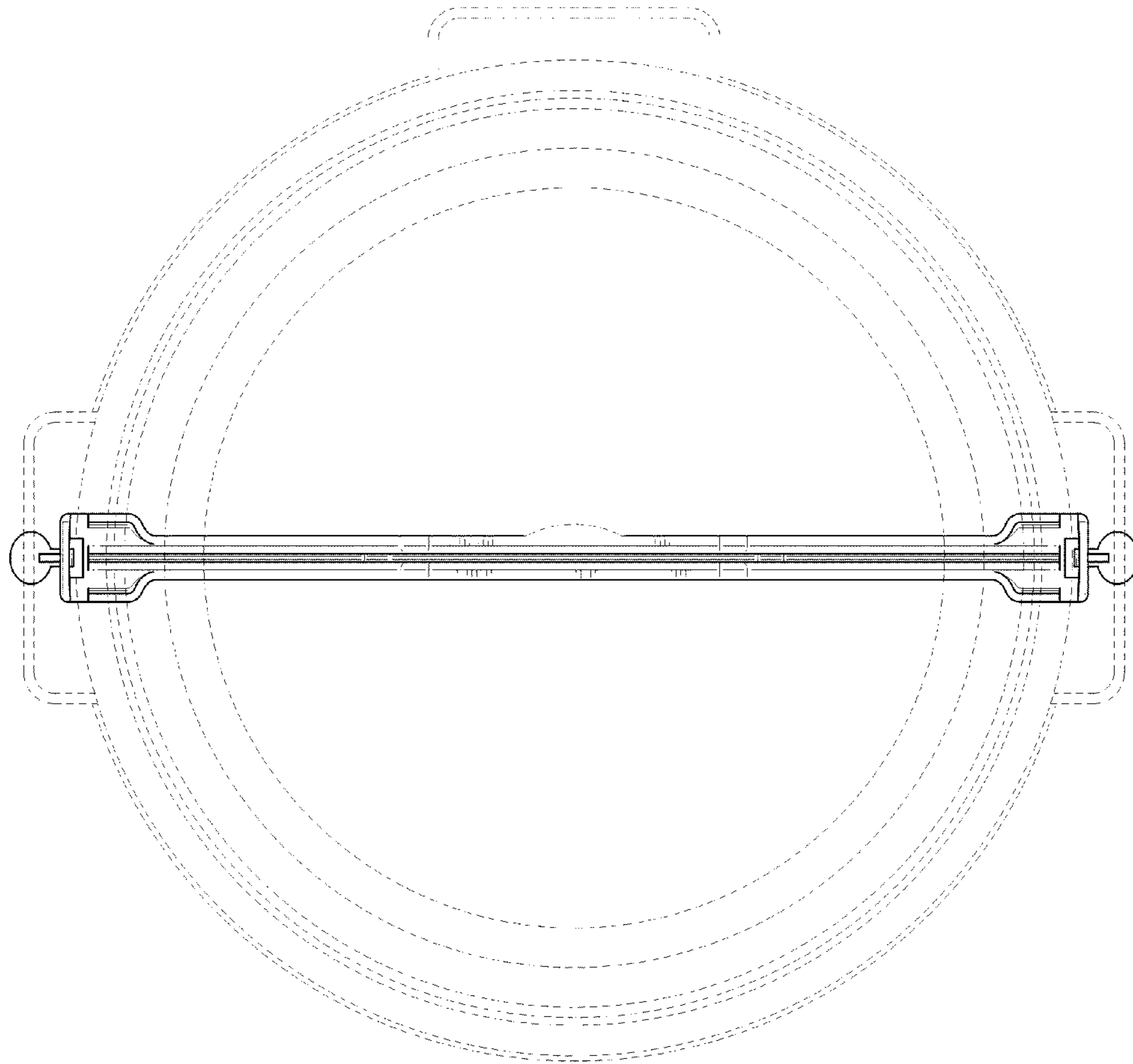


FIG. 3

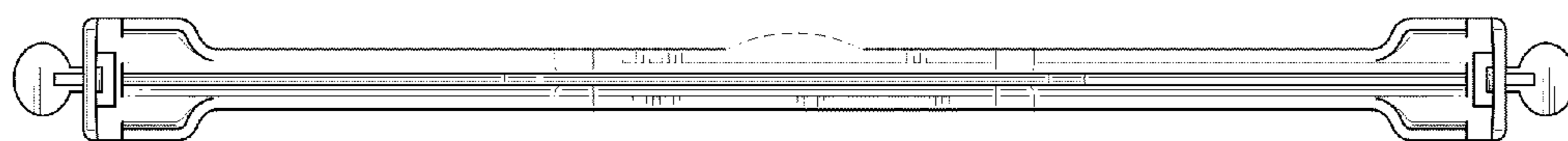


FIG. 4

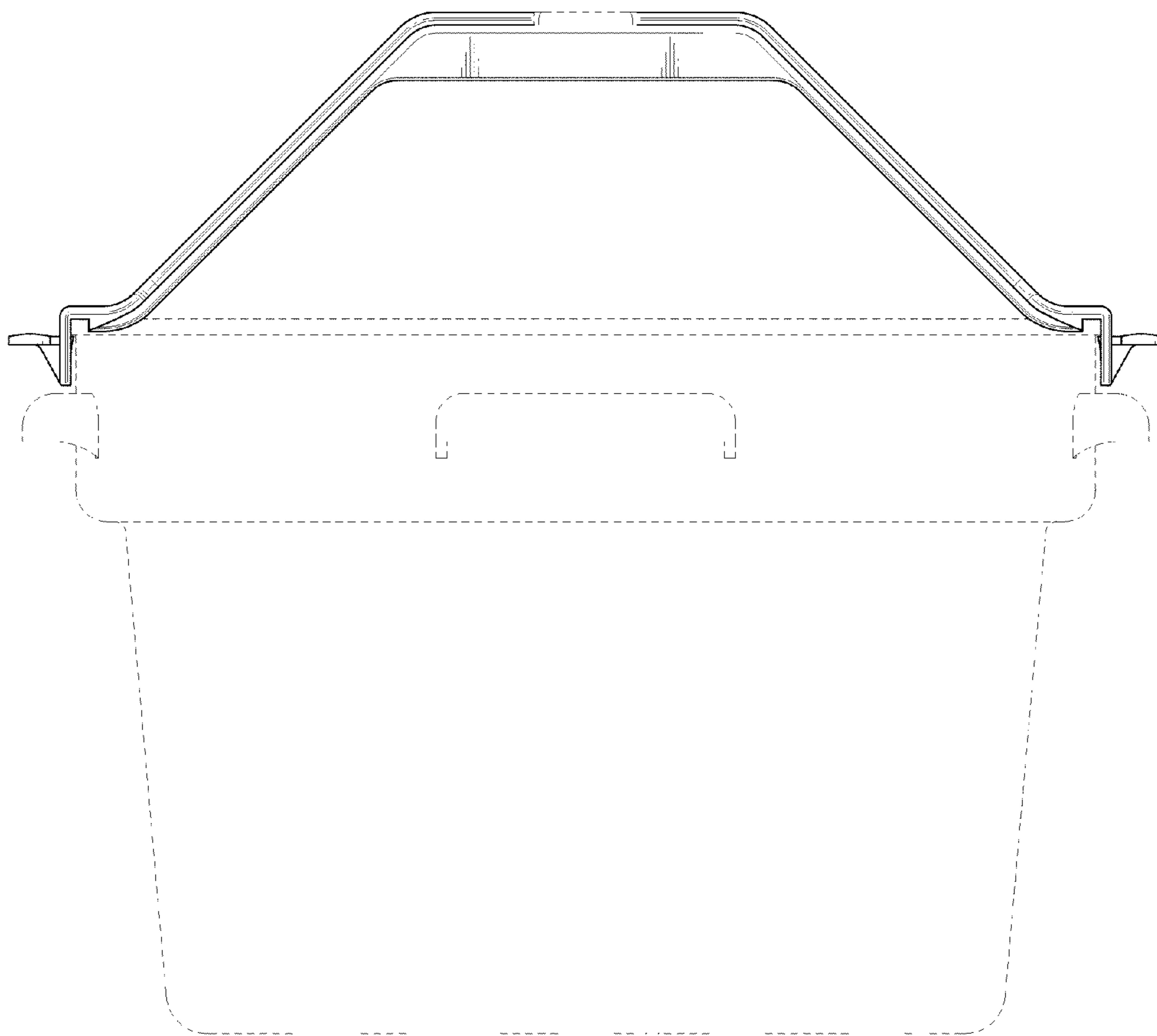


FIG. 5

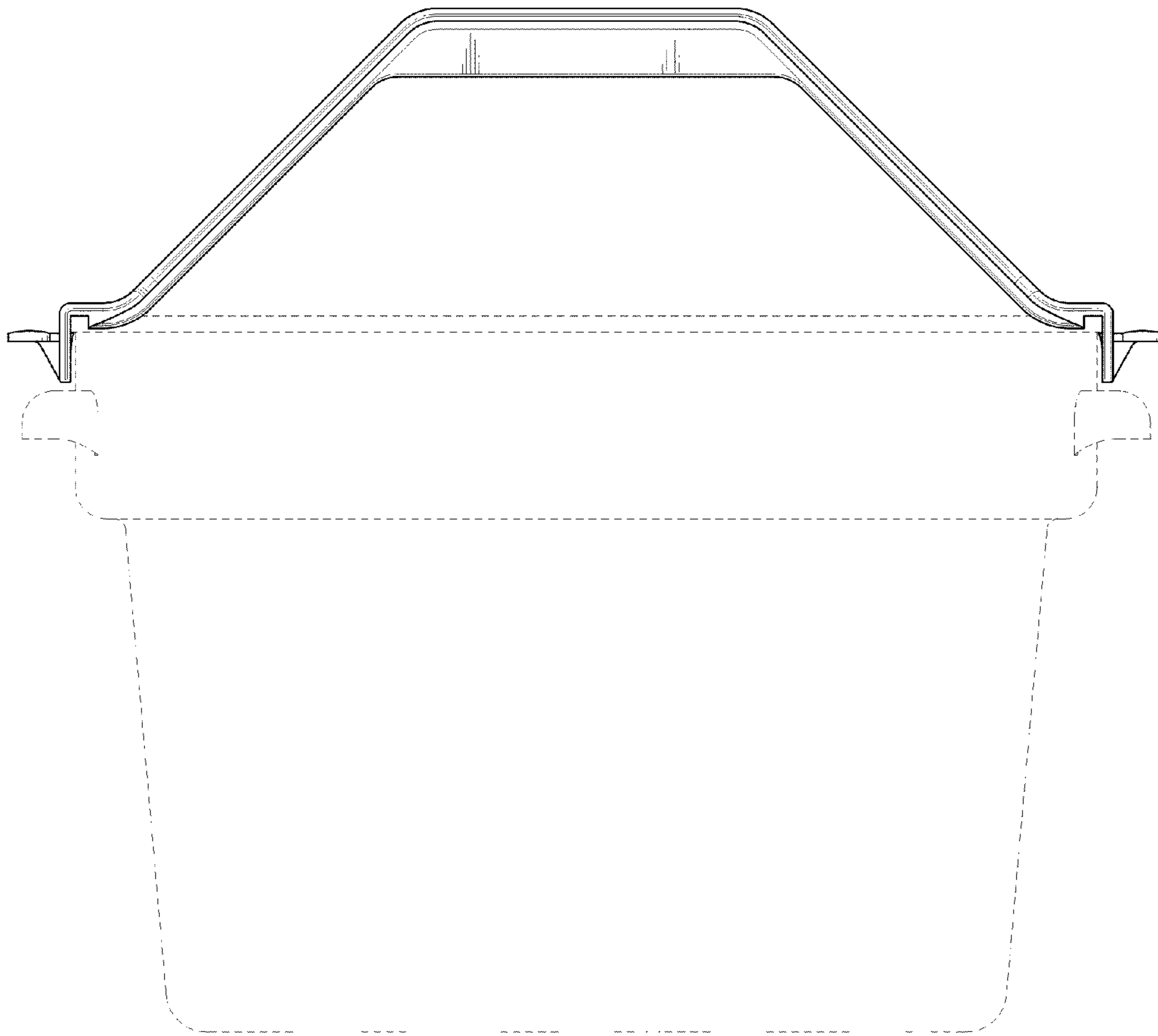


FIG. 6

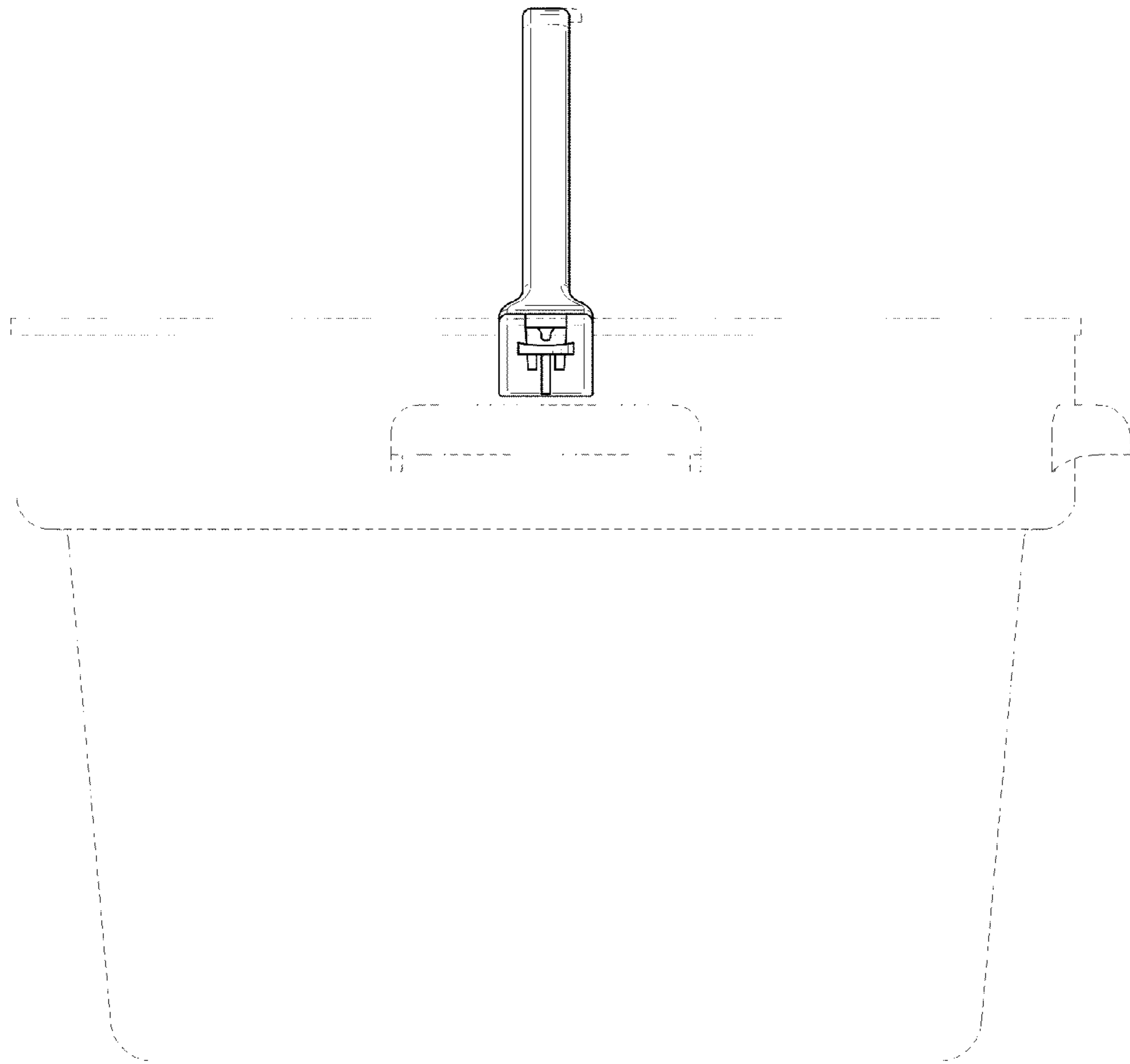


FIG. 7

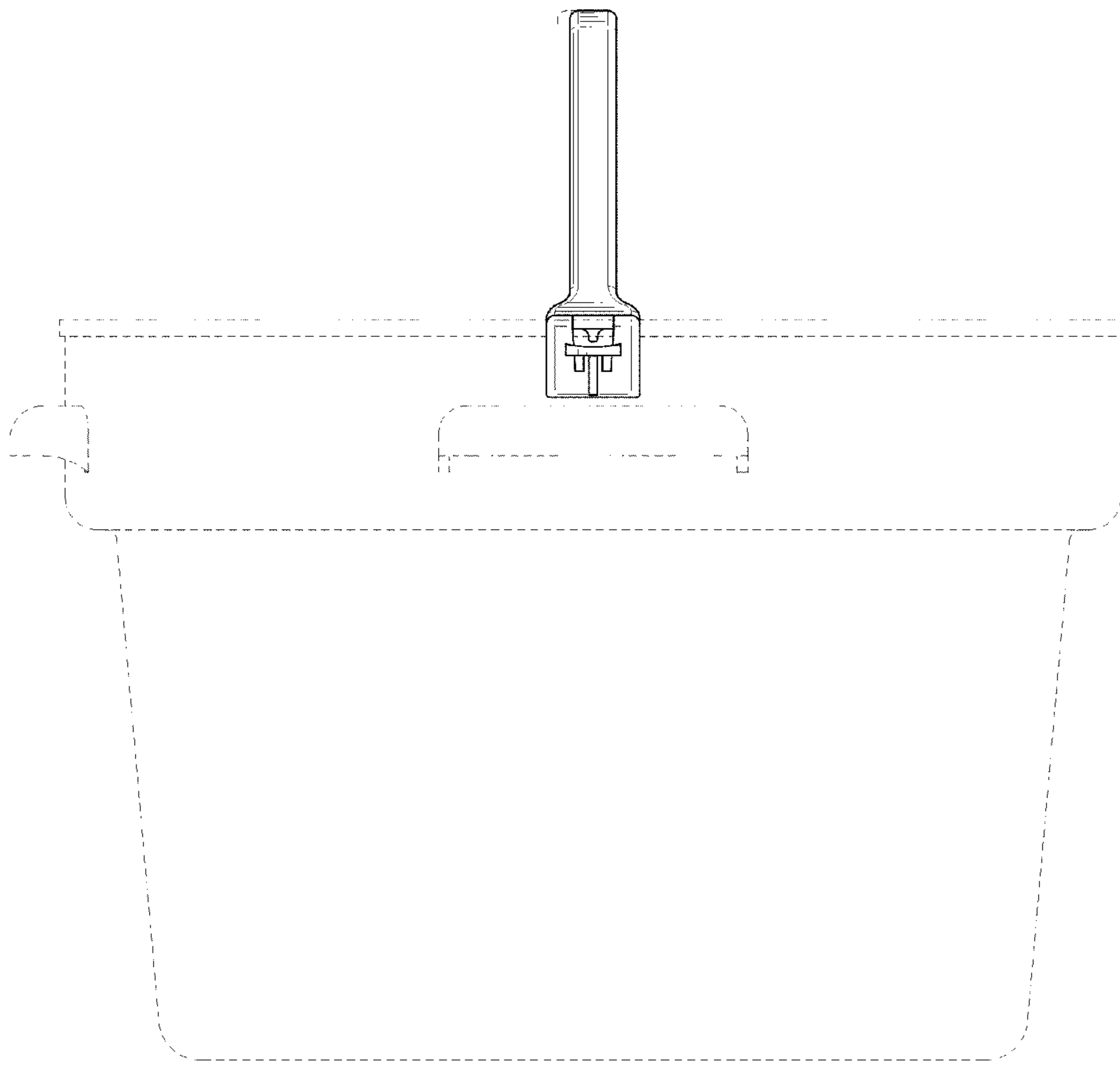


FIG. 8