



US00D655470S

(12) **United States Design Patent**
Best et al.

(10) **Patent No.:** **US D655,470 S**
(45) **Date of Patent:** **** Mar. 6, 2012**

(54) **APPLICATOR WITH INDIVIDUALLY FLEXIBLE PAD AND HANDLE**

(75) Inventors: **Jim Joseph Best**, Hewitt, NJ (US); **Marco Carroll Perry**, Brooklyn, NY (US); **Mark David Prommel**, Brooklyn, NY (US); **Kevin Min O’Leary**, Brooklyn, NY (US); **William Lauchlin Gulledge, Jr.**, Leawood, KS (US); **William Daniel Richardson**, Greenwood, MO (US); **Chad Edward Brott**, Greenwood, MO (US); **B. Deré Newman**, Lone Jack, MO (US); **Melodie Lea Wendleton**, Lee’s Summit, MO (US); **Benjamin A. Shobert**, Indianapolis, IN (US); **Richard S. Dale**, Honeoye Falls, NY (US); **Todd Brunner**, Brooklyn, NY (US)

(73) Assignee: **Specialty Products of Greenwood, Missouri, Inc.**, Greenwood, MO (US)

(**) Term: **14 Years**

(21) Appl. No.: **29/359,631**

(22) Filed: **Apr. 13, 2010**

(51) **LOC (9) Cl.** **32-01**

(52) **U.S. Cl.** **D32/52**

(58) **Field of Classification Search** D32/40–45, D32/50–52; 15/118, 244.1, 244.2, 244.3, 15/244.4, 116.1, 116.2, 119.1, 119.2, 104.9, 15/228, 229.2, 229.4; 401/135–140
See application file for complete search history.

(56) **References Cited**

U.S. PATENT DOCUMENTS

D297,872	S	*	9/1988	Silver	D32/52
5,267,369	A		12/1993	O’Neil et al.		
5,432,972	A		7/1995	Polzin et al.		
D383,578	S	*	9/1997	Ho	D32/51
D387,910	S	*	12/1997	Berti	D4/199
5,822,823	A		10/1998	Polzin et al.		
D411,672	S	*	6/1999	McCoy et al.	D32/46

6,272,715	B1		8/2001	Polzin et al.		
D475,054	S	*	5/2003	Blackwood et al.	D14/434
D493,588	S	*	7/2004	DeFelice	D32/35
D500,182	S	*	12/2004	DeFelice	D32/35
D530,273	S	*	10/2006	Solland	D13/108
D547,954	S	*	8/2007	Thurin et al.	D4/137
D549,707	S	*	8/2007	Depay	D14/434
D554,311	S	*	10/2007	Lee et al.	D28/63
D571,788	S	*	6/2008	King et al.	D14/217
D575,018	S	*	8/2008	Knopow	D32/52
D578,720	S	*	10/2008	Norcorn et al.	D32/52
D585,612	S	*	1/2009	Soller et al.	D32/50
D611,462	S	*	3/2010	McGuire	D14/240
D623,641	S	*	9/2010	Harden et al.	D14/253
D626,559	S	*	11/2010	Green	D14/447
D640,249	S	*	6/2011	Choi	D14/253
2004/0158949	A1		8/2004	Booth et al.		
2007/0241929	A1	*	10/2007	Marchetto	340/825.72

* cited by examiner

Primary Examiner — John Windmuller

(74) *Attorney, Agent, or Firm* — Hovey Williams LLP

(57) **CLAIM**

The ornamental design for an applicator with individually flexible pad and handle, as shown and described.

DESCRIPTION

FIG. 1 is a top perspective view of an applicator with individually flexible pad and handle embodying our design; FIG. 2 is a bottom perspective view of the applicator shown in FIG. 1; FIG. 3 is a side elevation view of the applicator depicted in FIGS. 1 and 2, with the opposite side elevation view being a mirror image thereof; FIG. 4 is an end elevation view of the applicator depicted in FIGS. 1-3, with the opposite end elevation view being a mirror image thereof; FIG. 5 is a top elevation view of the applicator depicted in FIGS. 1-4; FIG. 6 is a bottom elevation view of the applicator shown in FIGS. 1-5; FIG. 7 is a top perspective view of the applicator similar to FIG. 1, but depicting the handle in a relatively greater flexed condition and the pad in a flexed concave shape;

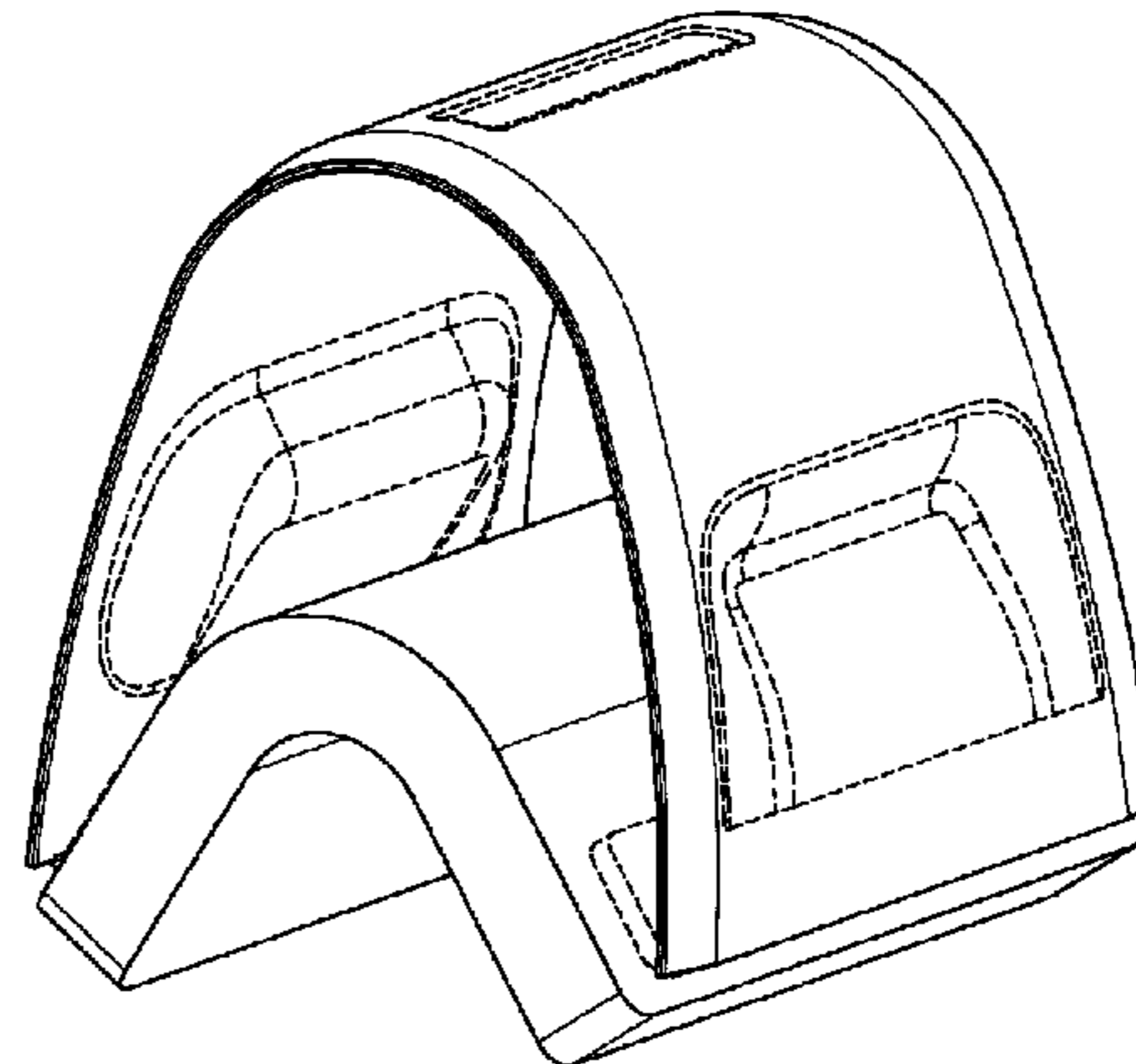
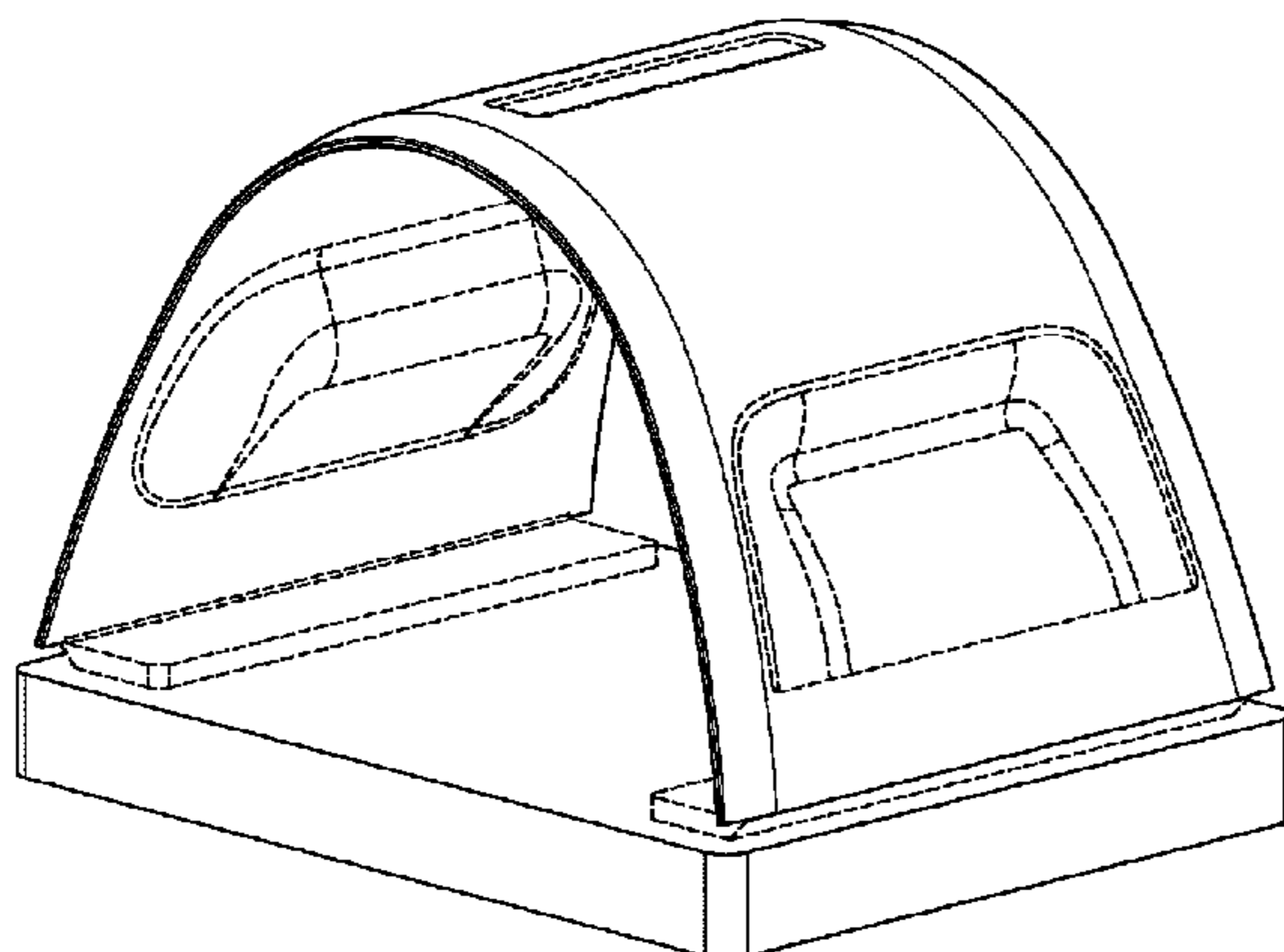


FIG. 8 is a bottom perspective view of the applicator as shown in FIG. 7;

FIG. 9 is a side elevation view of the applicator as depicted in FIGS. 7 and 8, with the opposite side elevation view being a mirror image thereof;

FIG. 10 is an end elevation view of the applicator as depicted in FIGS. 7-9, with the opposite end elevation view being a mirror image thereof;

FIG. 11 is a top elevation view of the applicator as depicted in FIGS. 7-10;

FIG. 12 is a bottom elevation view of the applicator as shown in FIGS. 7-11;

FIG. 13 is a top perspective view of the applicator similar to FIG. 1, but depicting the handle in a relatively greater flexed condition and the pad in a flexed convex shape;

FIG. 14 is a bottom perspective view of the applicator as shown in FIG. 13;

FIG. 15 is a side elevation view of the applicator as depicted in FIGS. 13 and 14, with the opposite side elevation view being a mirror image thereof;

FIG. 16 is an end elevation view of the applicator as depicted in FIGS. 13-15, with the opposite end elevation view being a mirror image thereof;

FIG. 17 is a top elevation view of the applicator as depicted in FIGS. 13-16;

FIG. 18 is a bottom elevation view of the applicator as shown in FIGS. 13-17;

FIG. 19 is a top perspective view of the applicator similar to FIG. 1, but with the material application pad being removed so as to depict the handle in an unflexed condition;

FIG. 20 is a bottom perspective view of the applicator as shown in FIG. 19;

FIG. 21 is a side elevation view of the applicator as depicted in FIGS. 19 and 20, with the opposite side elevation view being a mirror image thereof;

FIG. 22 is a top elevation view of the applicator as depicted in FIGS. 19-21;

FIG. 23 is an end elevation view of the applicator as depicted in FIGS. 19-22, with the opposite end elevation view being a mirror image thereof; and,

FIG. 24 is a bottom elevation view of the applicator as shown in FIGS. 19-23.

The broken lines in the figures depict portions of the applicator that form no part of the claimed design. The outermost broken line showing the recessed area extending across the center of the body in FIGS. 1, 5, 7, 10, 13, 16, 17, 19, & 22 defines the boundary of the article, with the broken lines themselves and the area within forming no part of the claim.

1 Claim, 12 Drawing Sheets

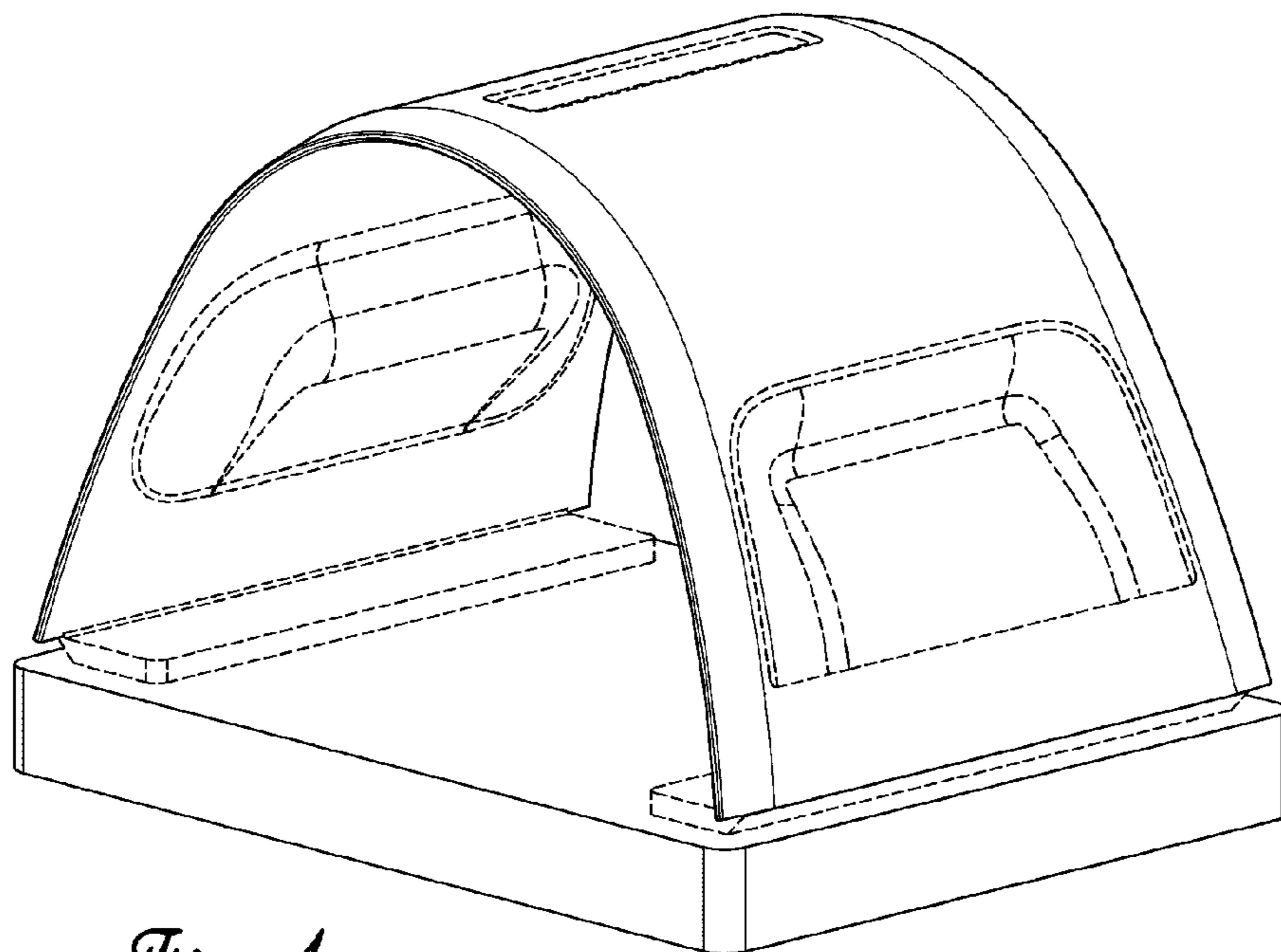


Fig. 1.

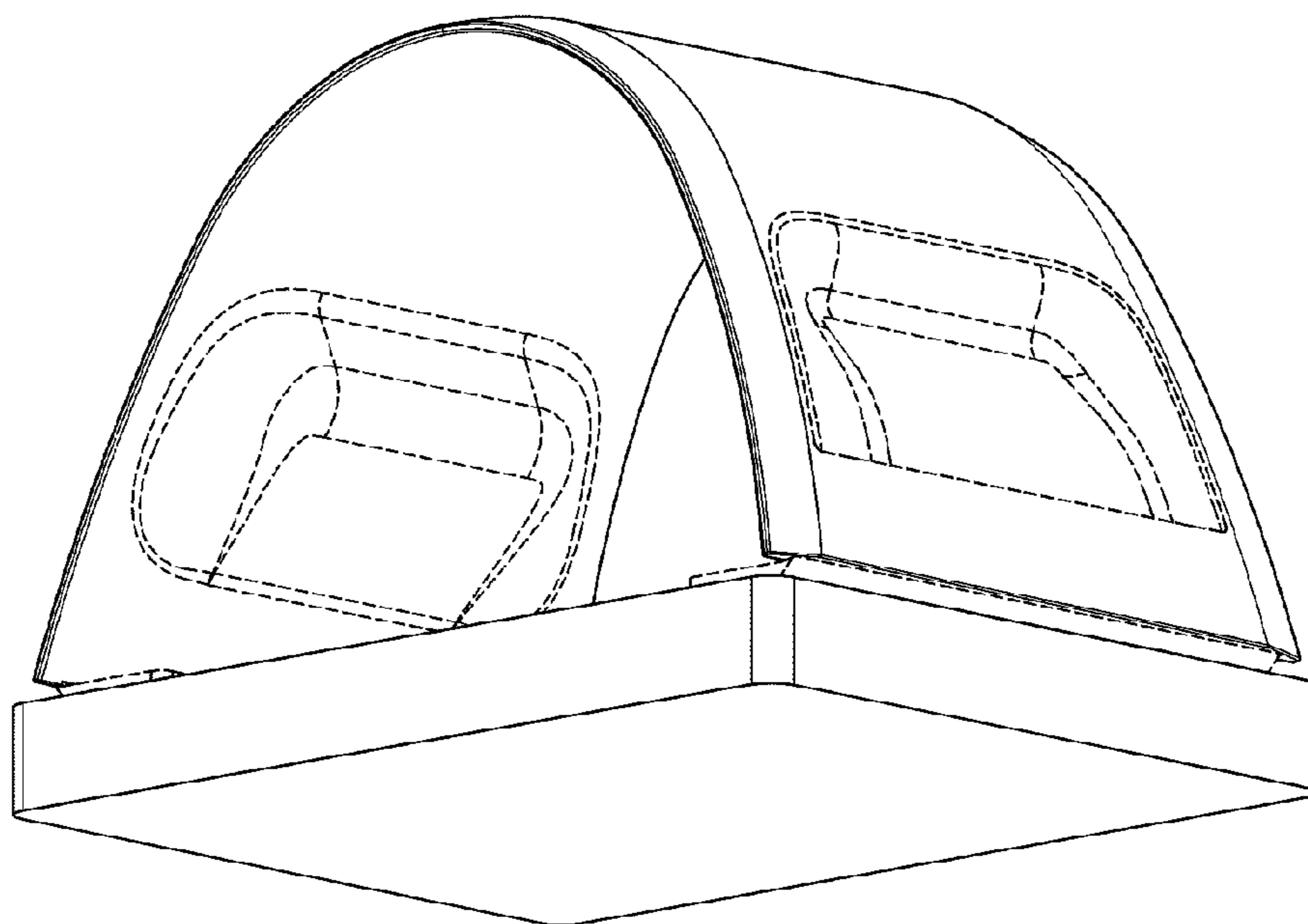


Fig. 2.

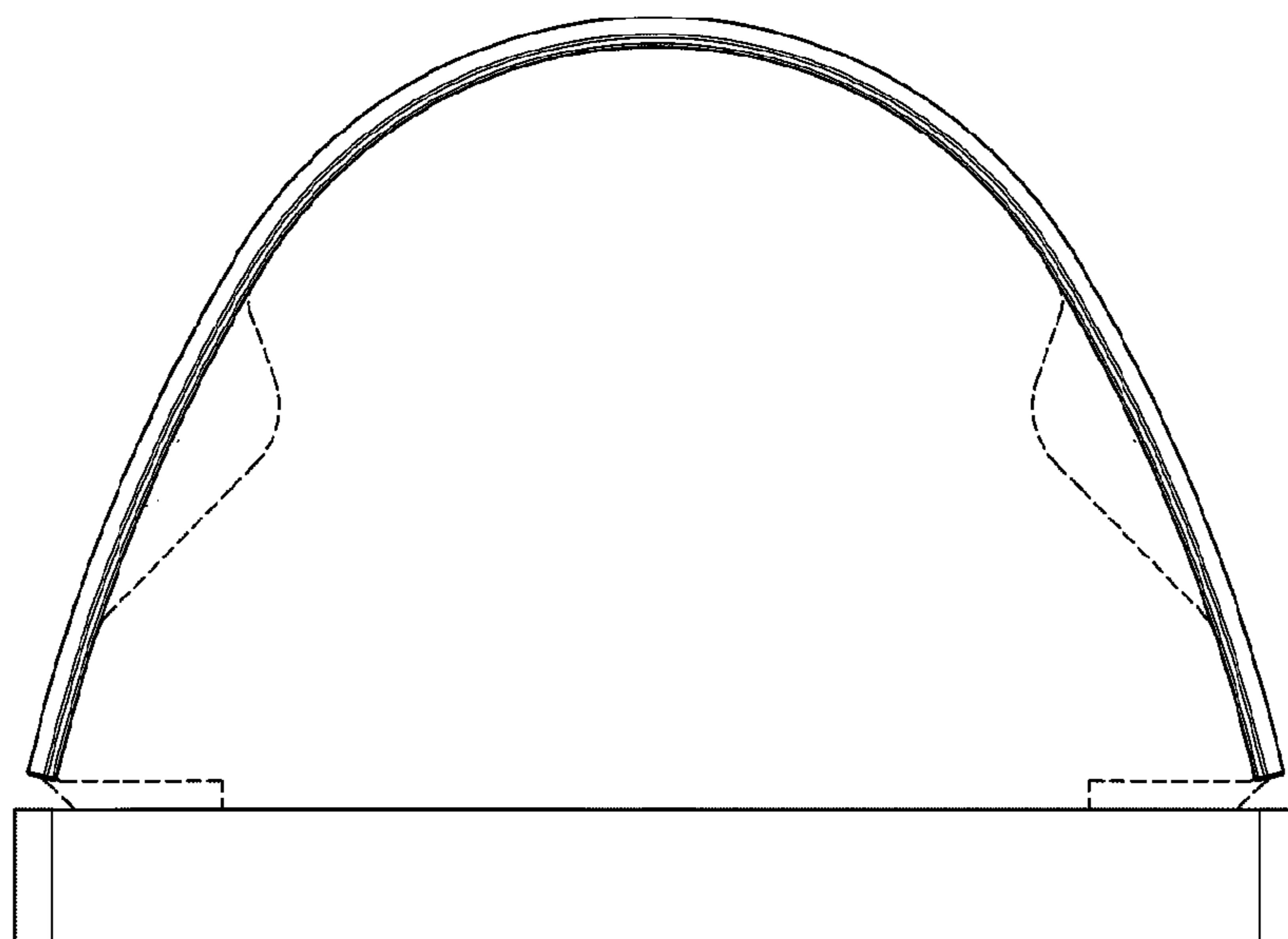


Fig. 3.

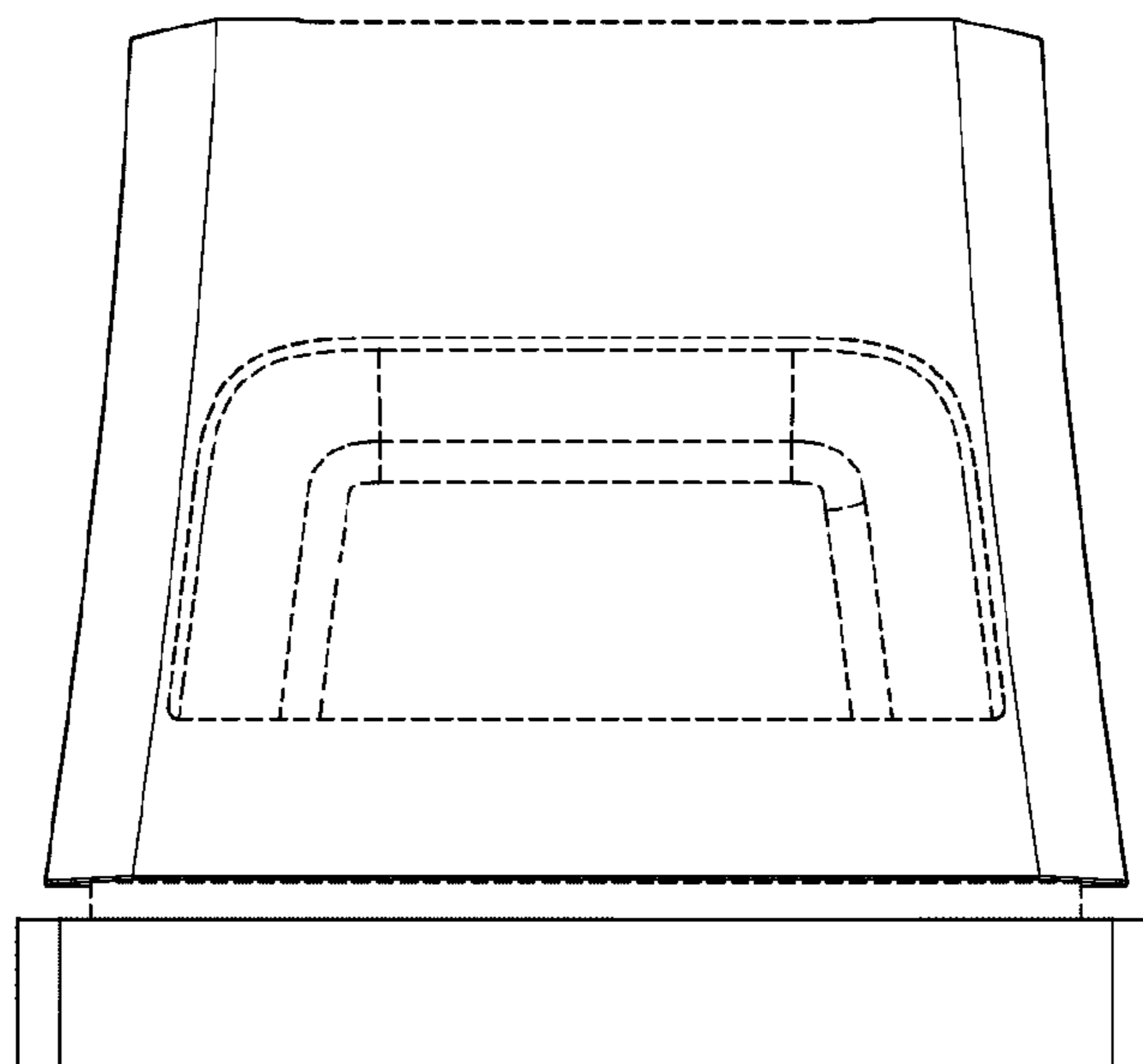


Fig. 4.

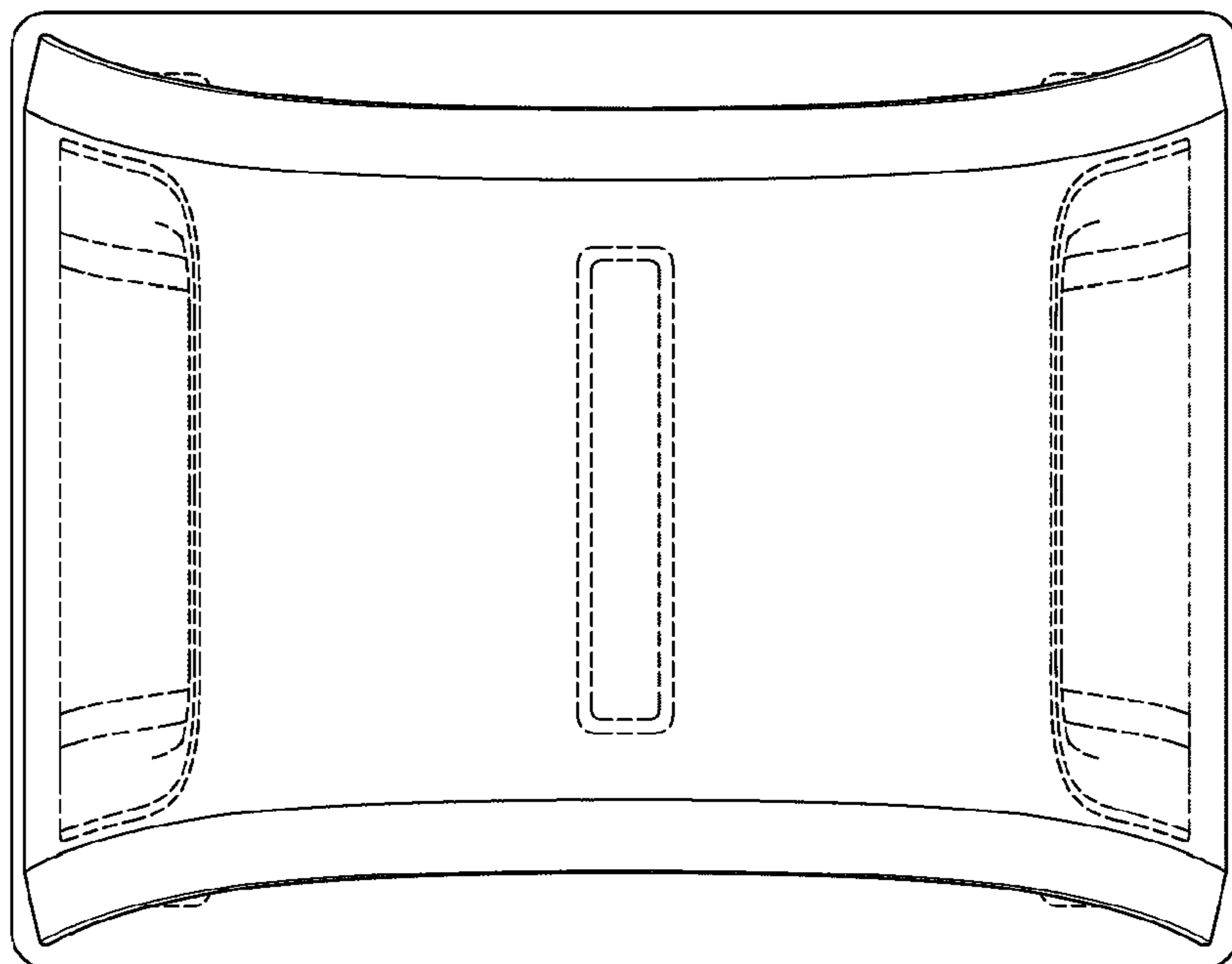


Fig. 5.



Fig. 6.

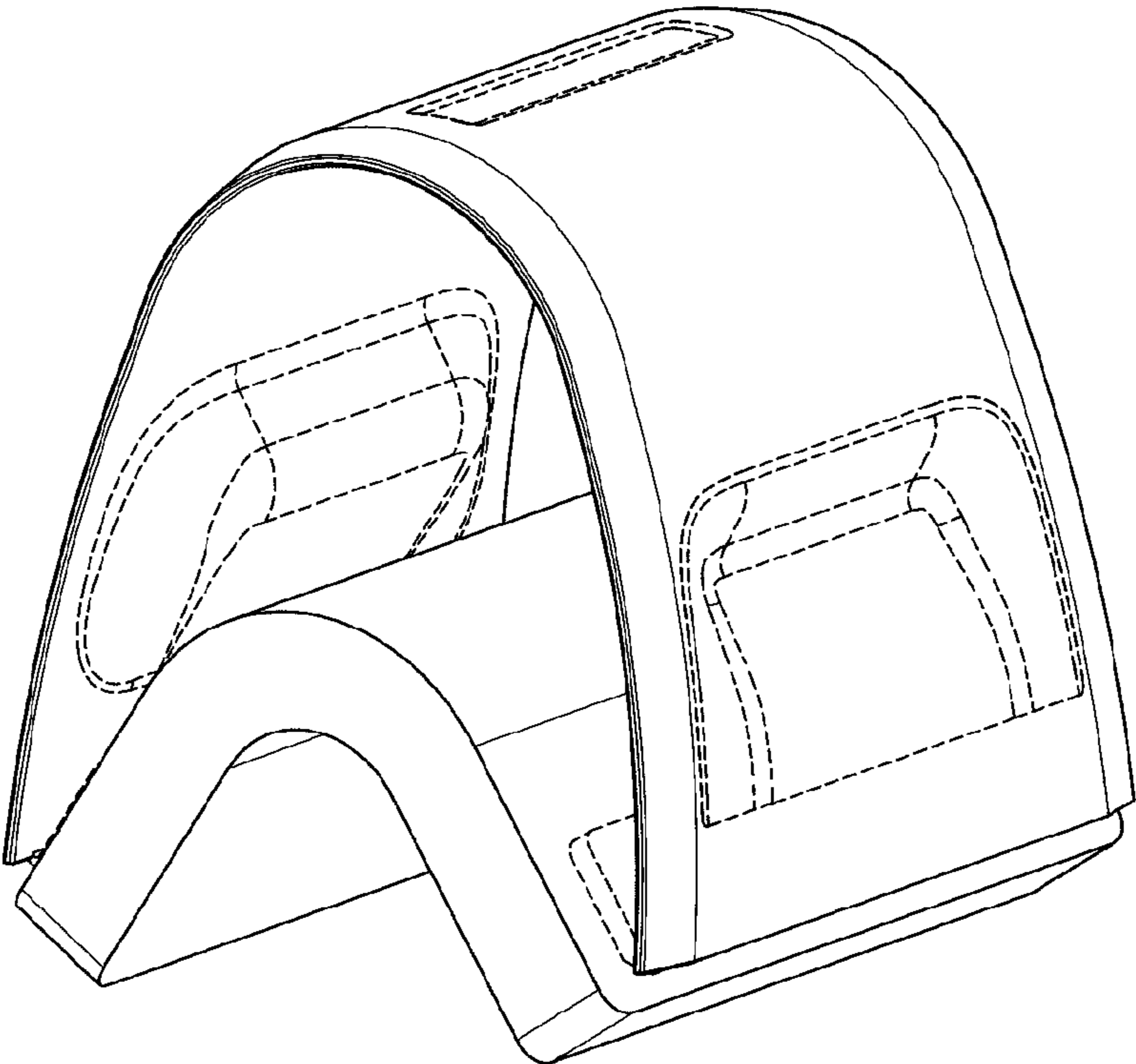


Fig. 7.

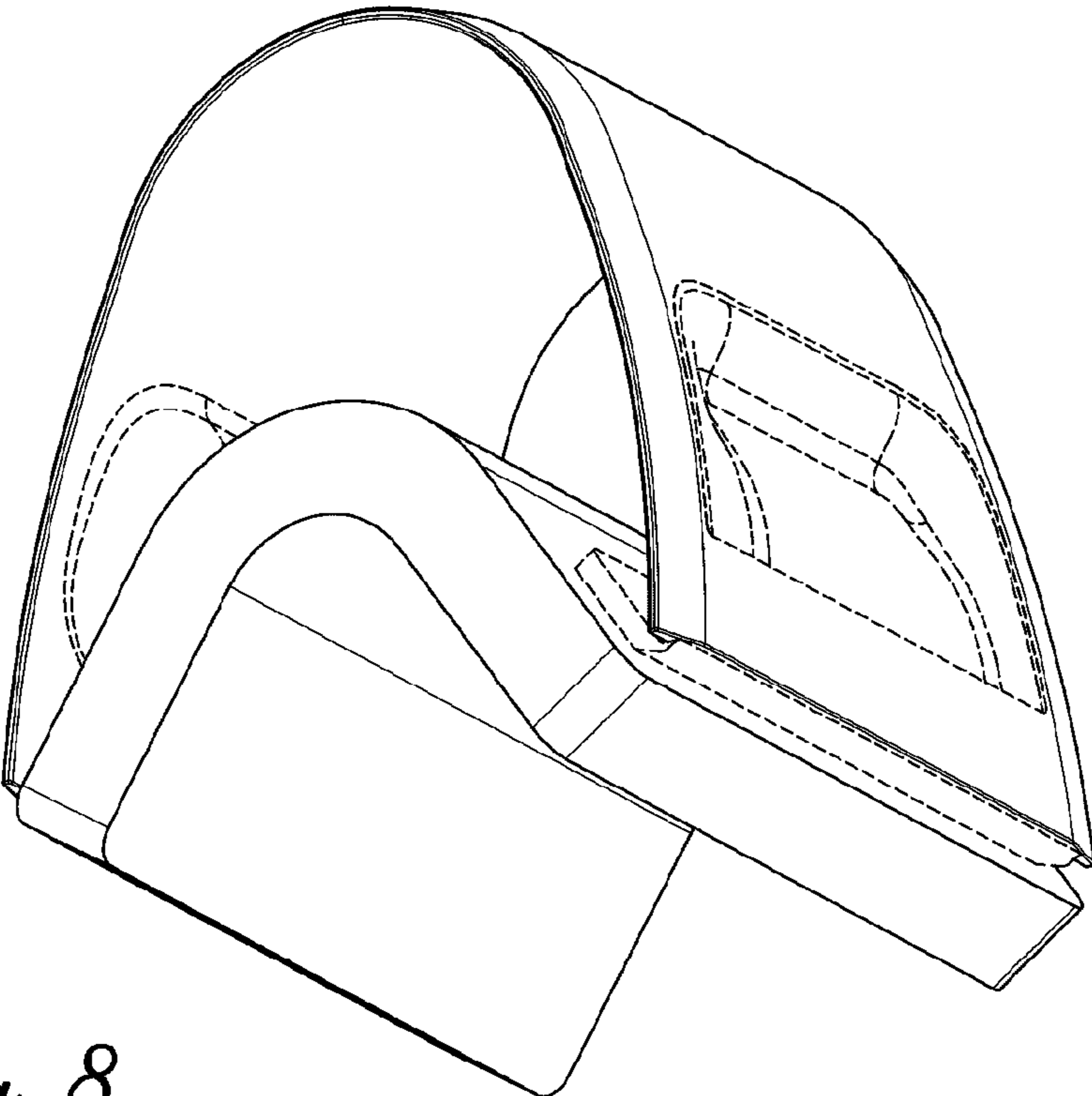


Fig. 8.

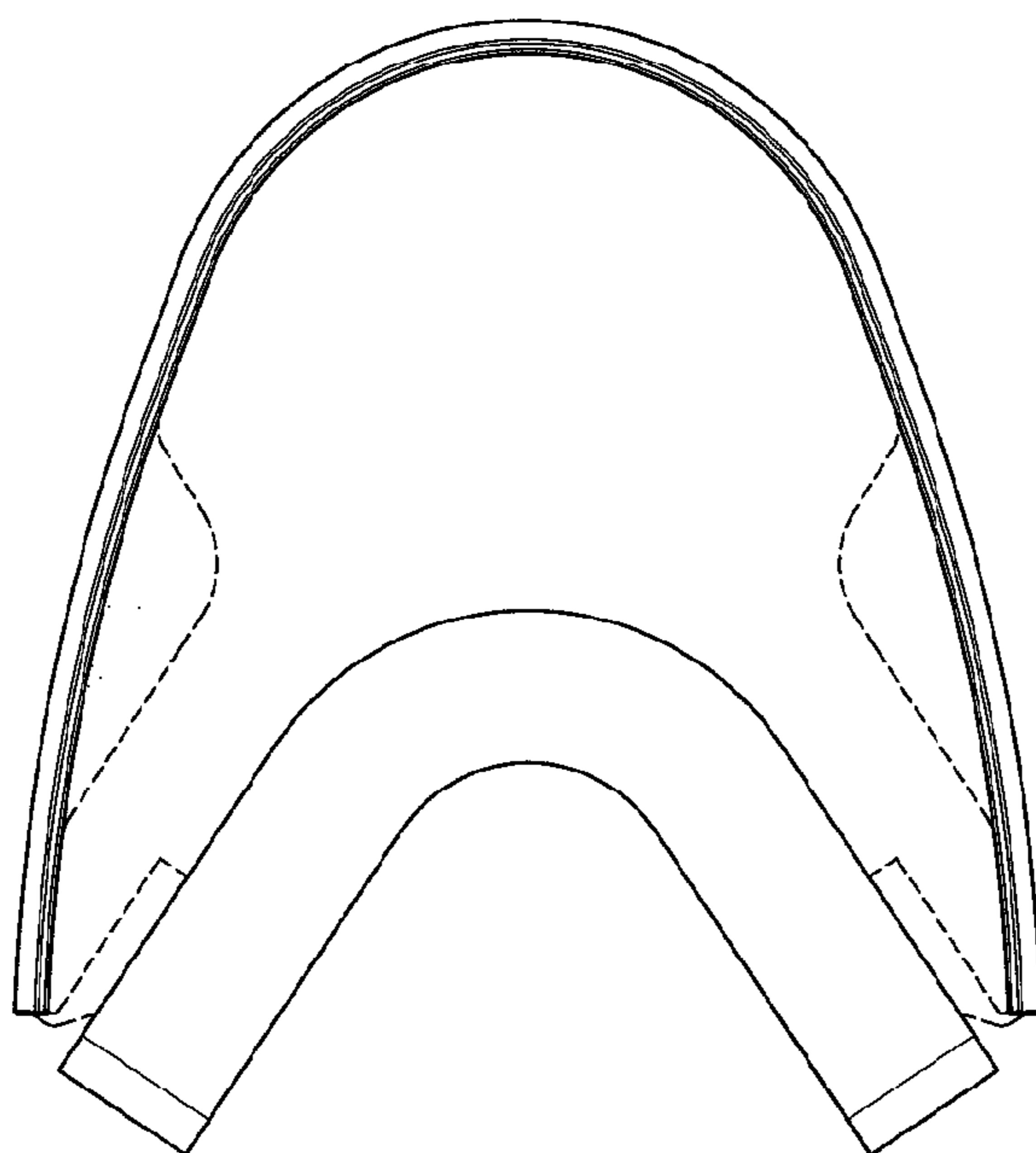


Fig. 9.

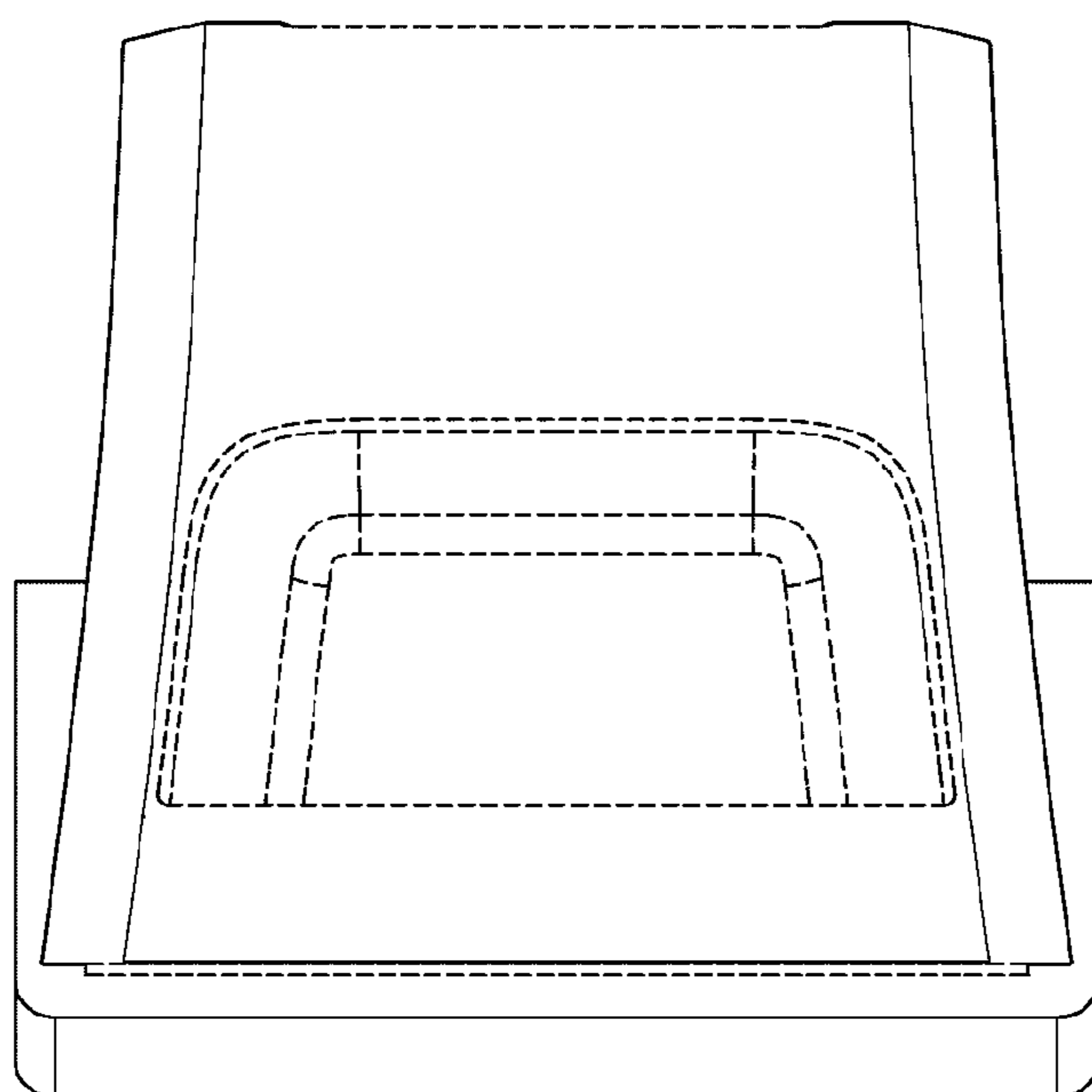


Fig. 10.

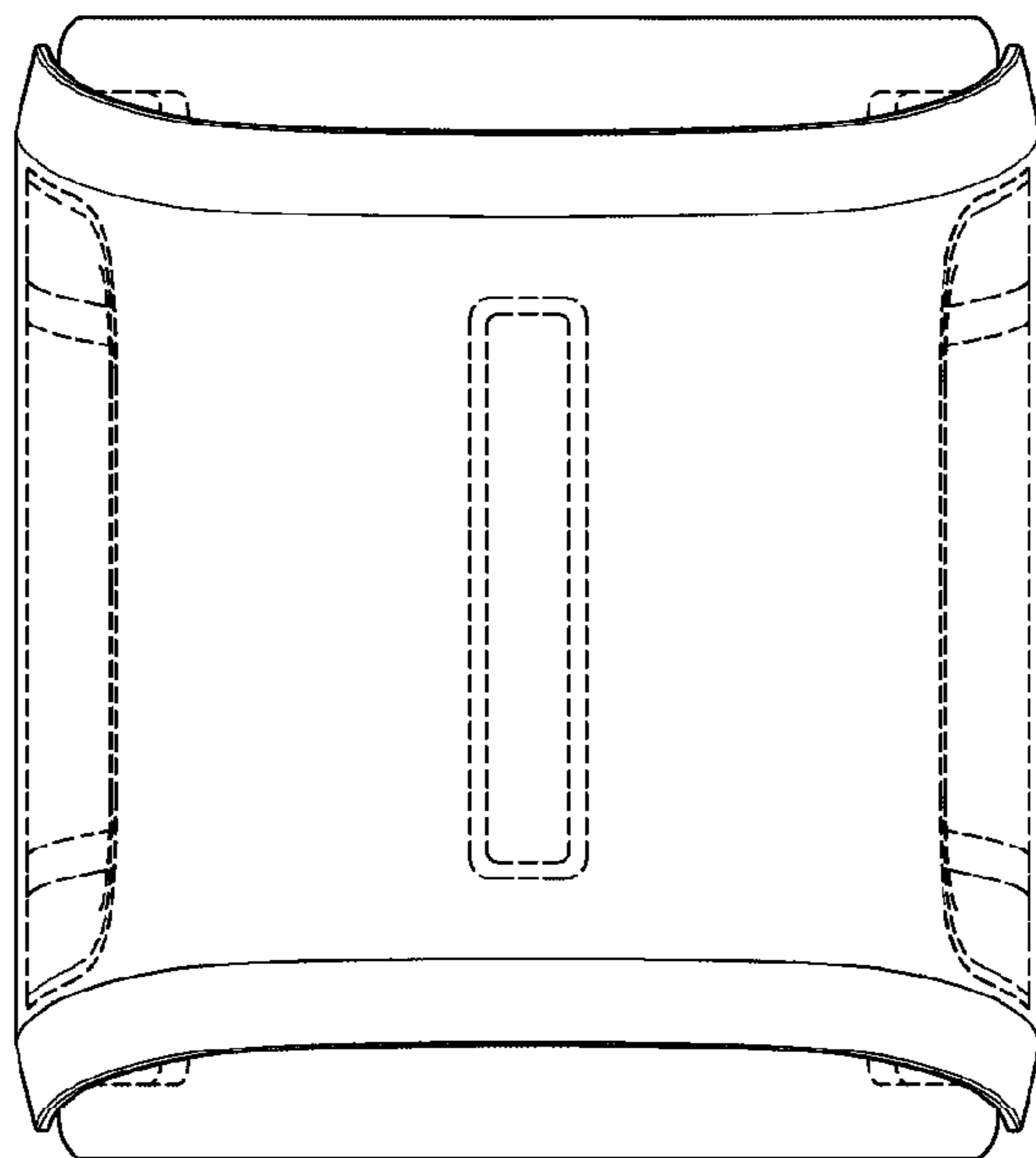


Fig. 11.

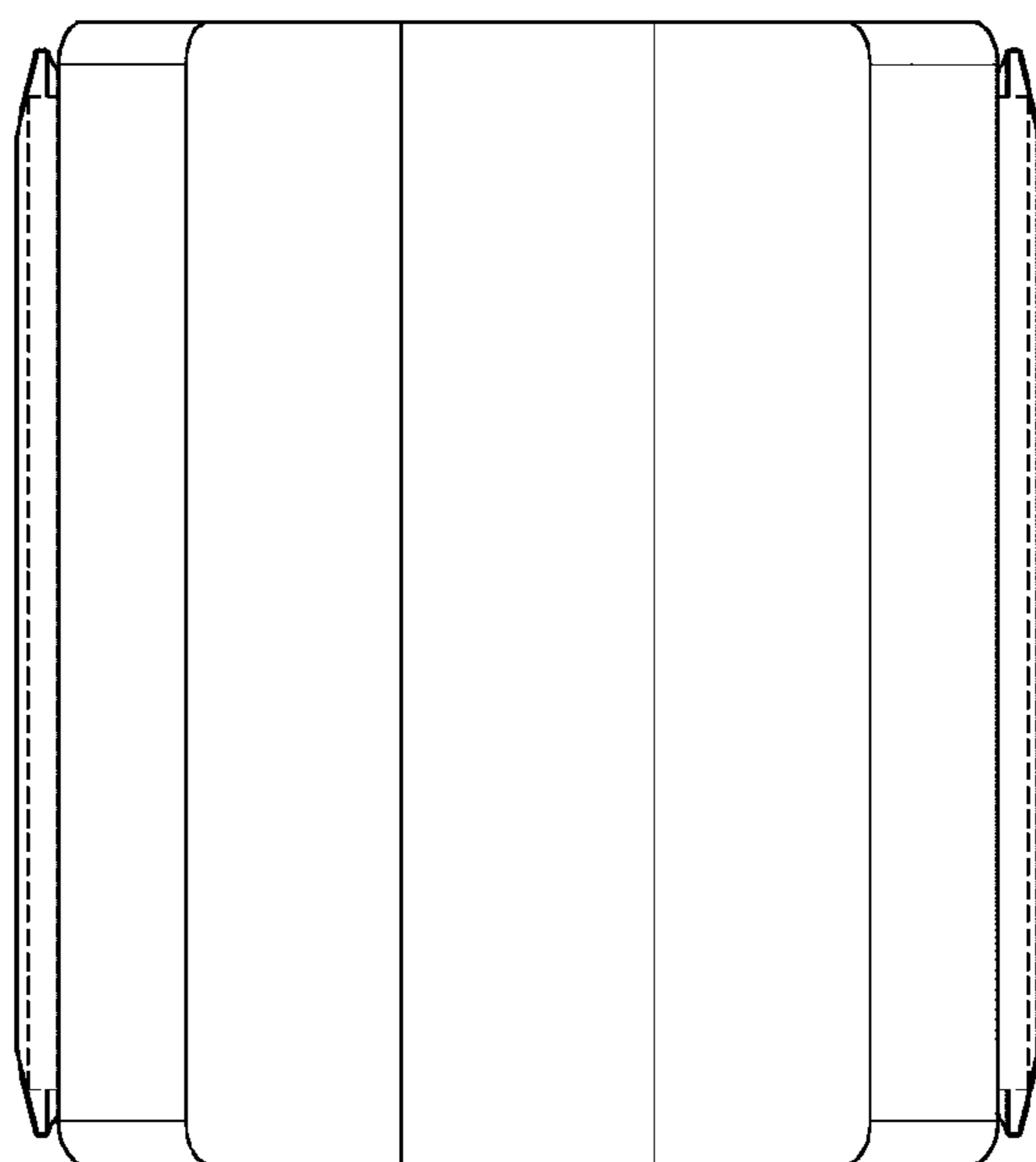


Fig. 12.

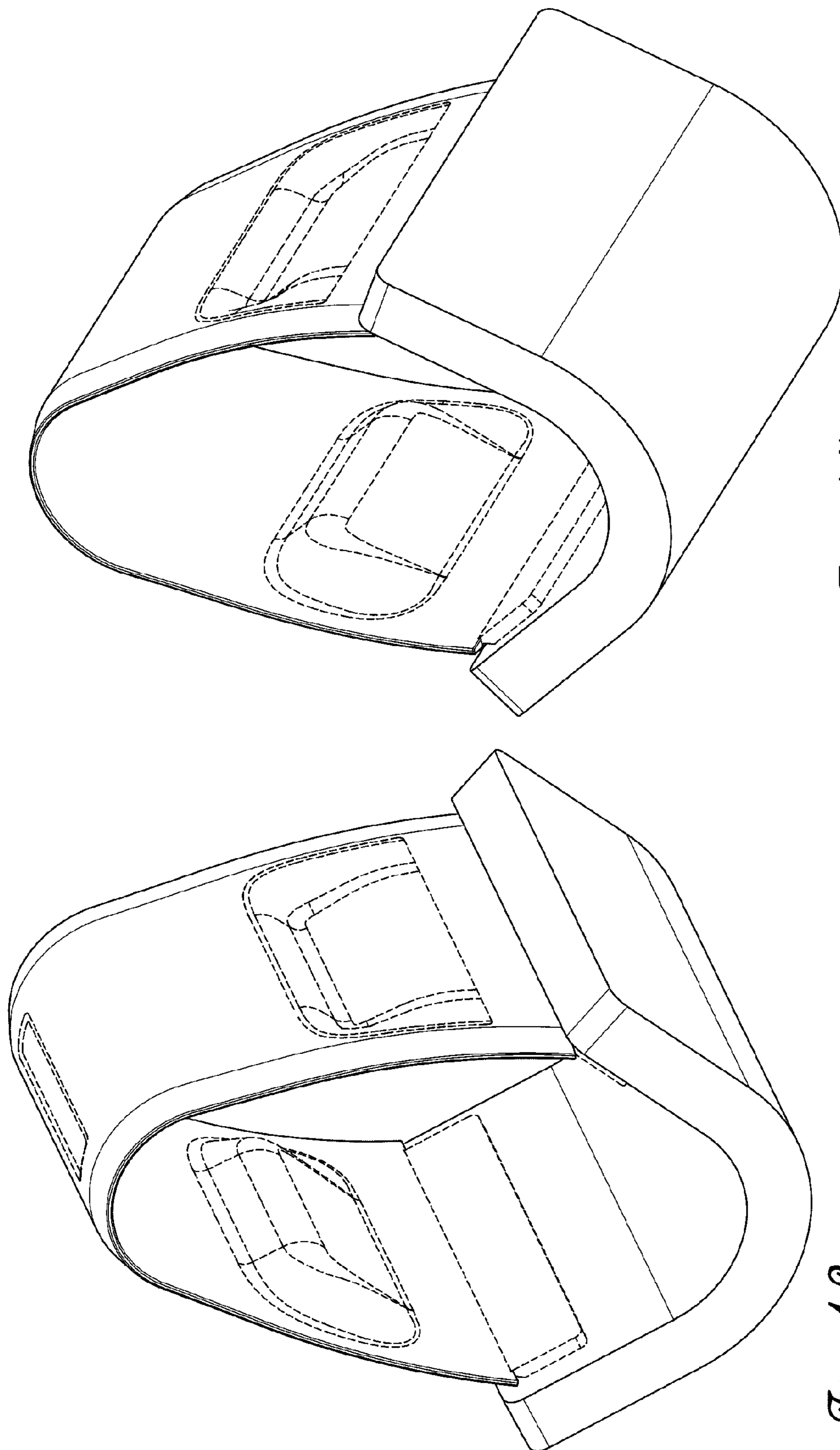


Fig. 14.

Fig. 13.

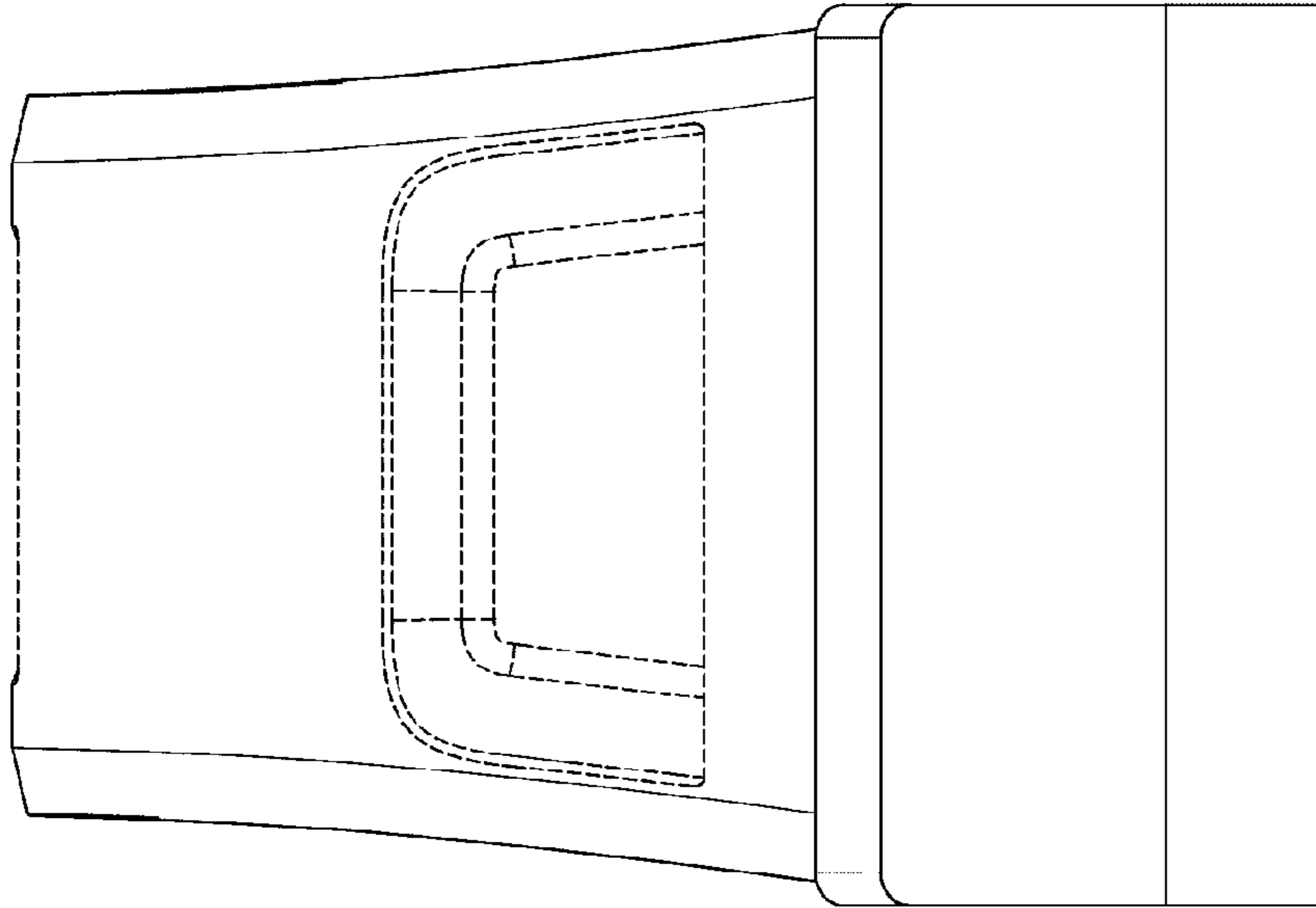


Fig. 16.

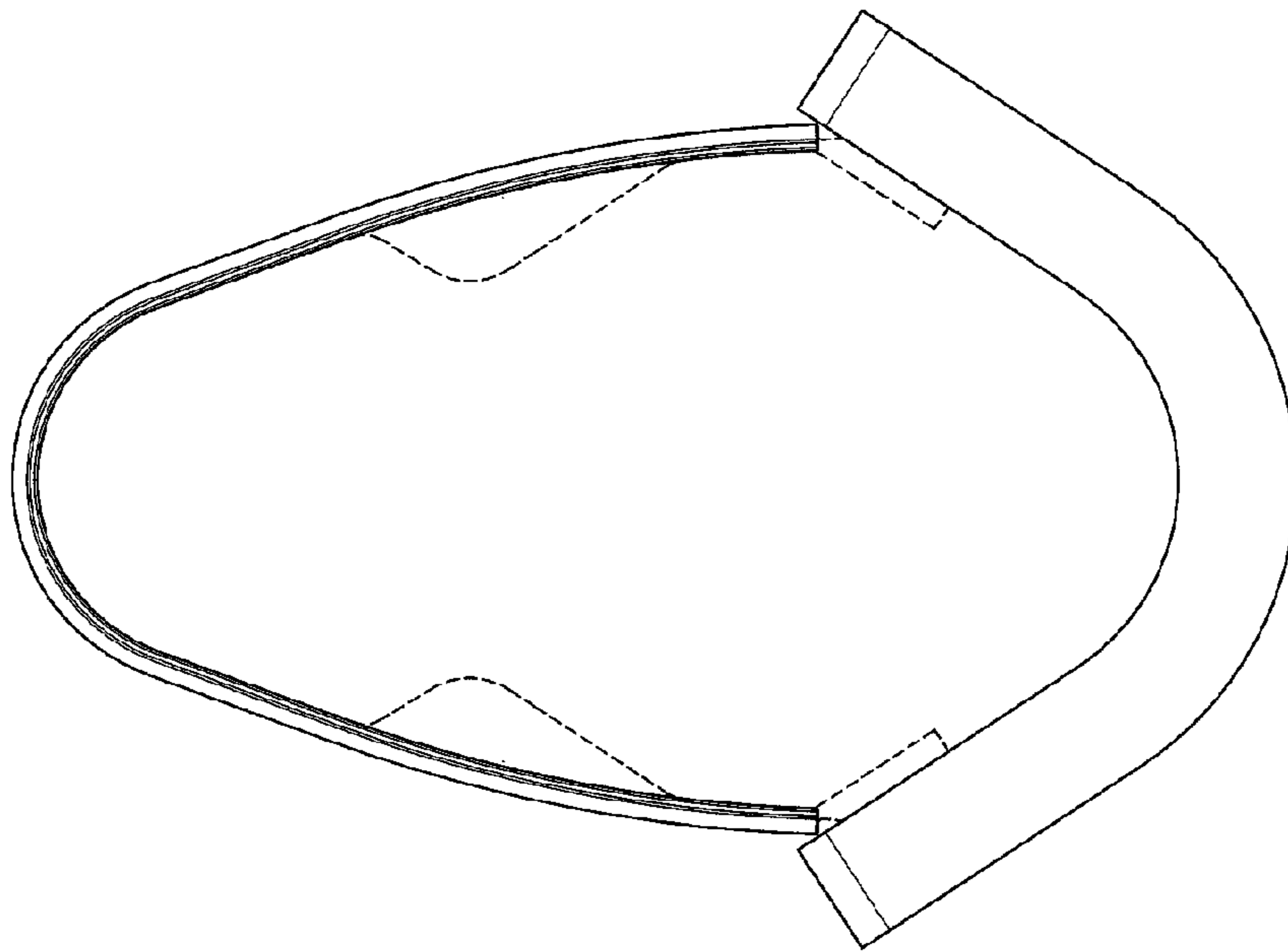


Fig. 15.

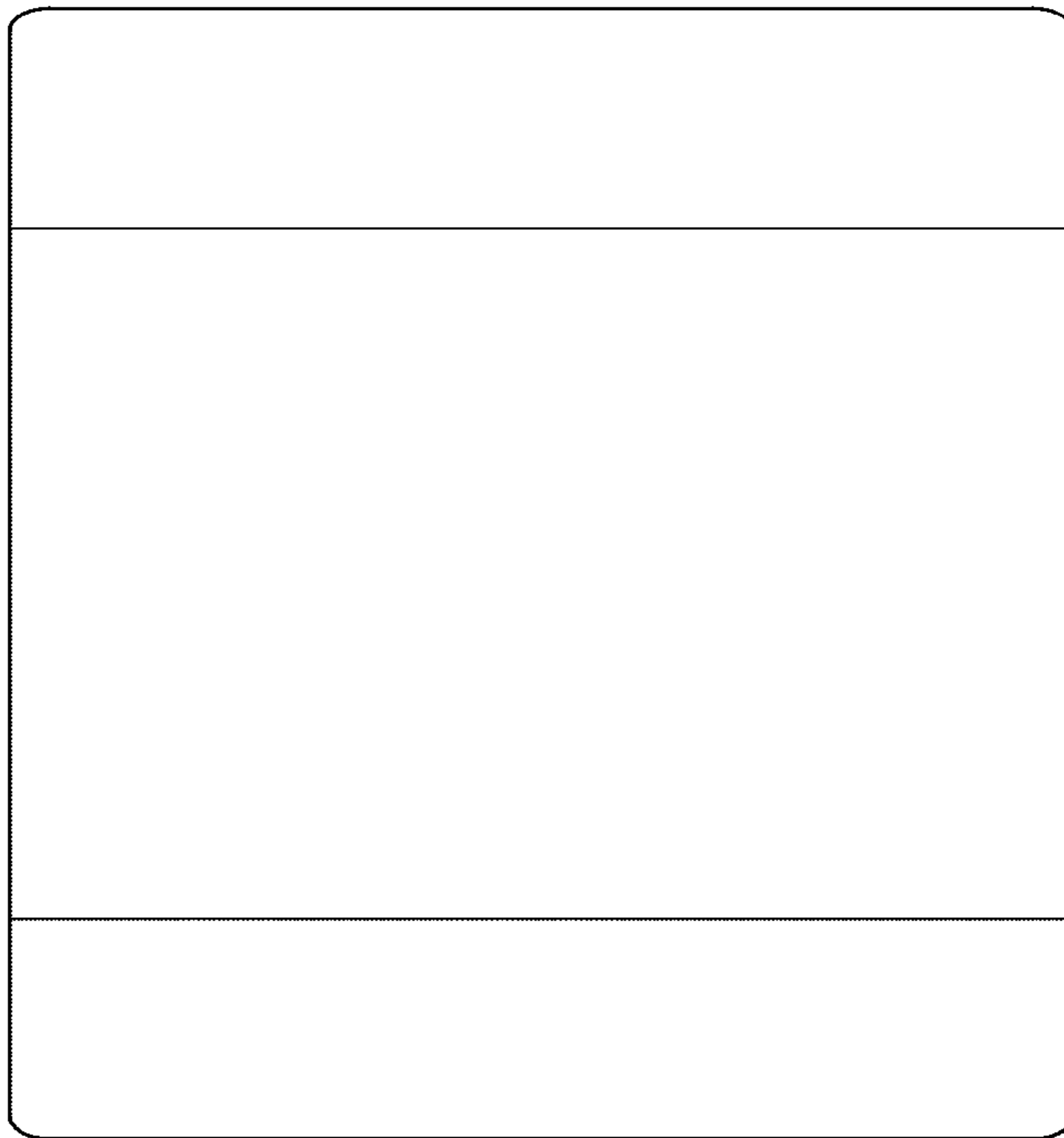


Fig. 18.

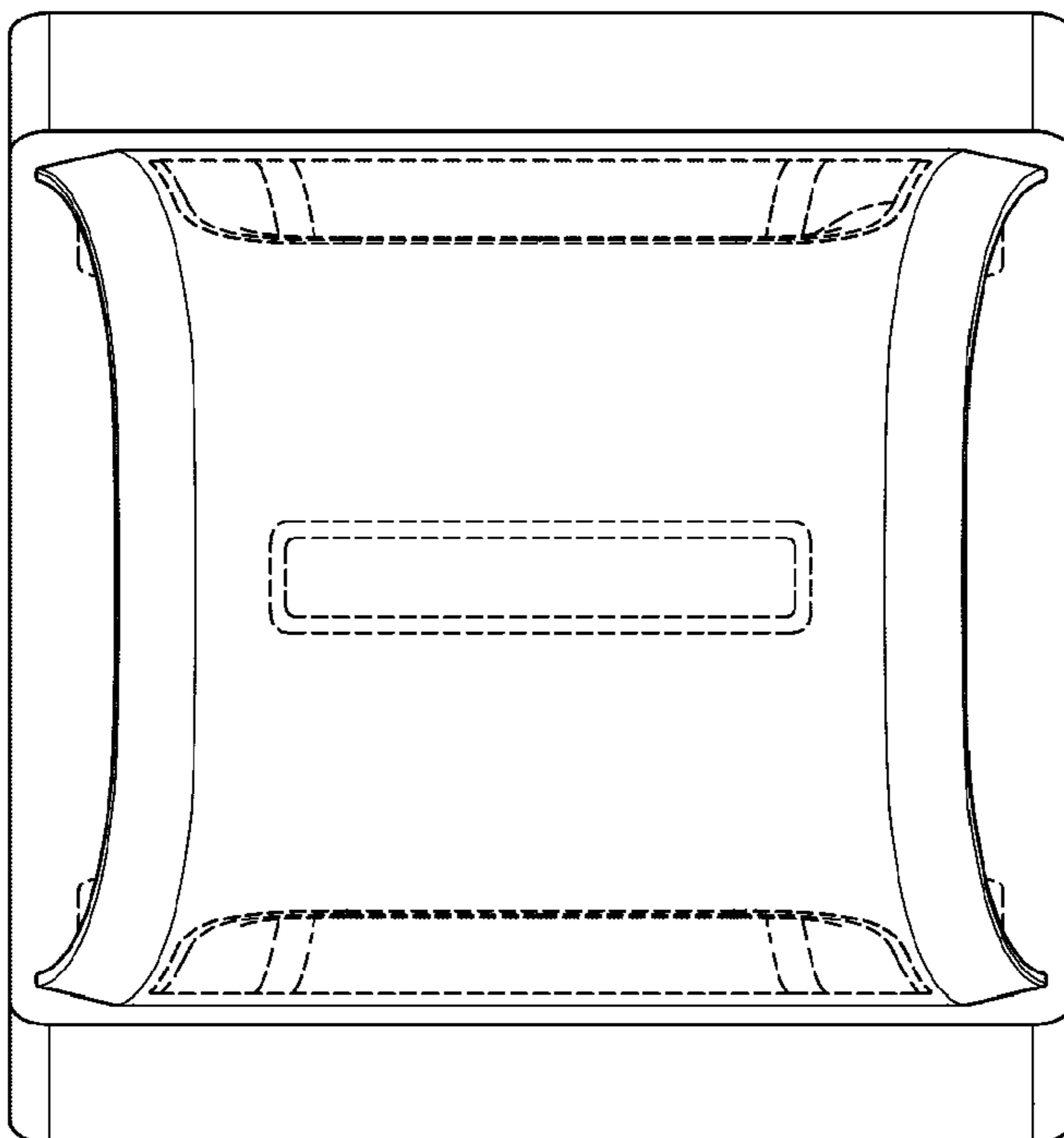


Fig. 17.

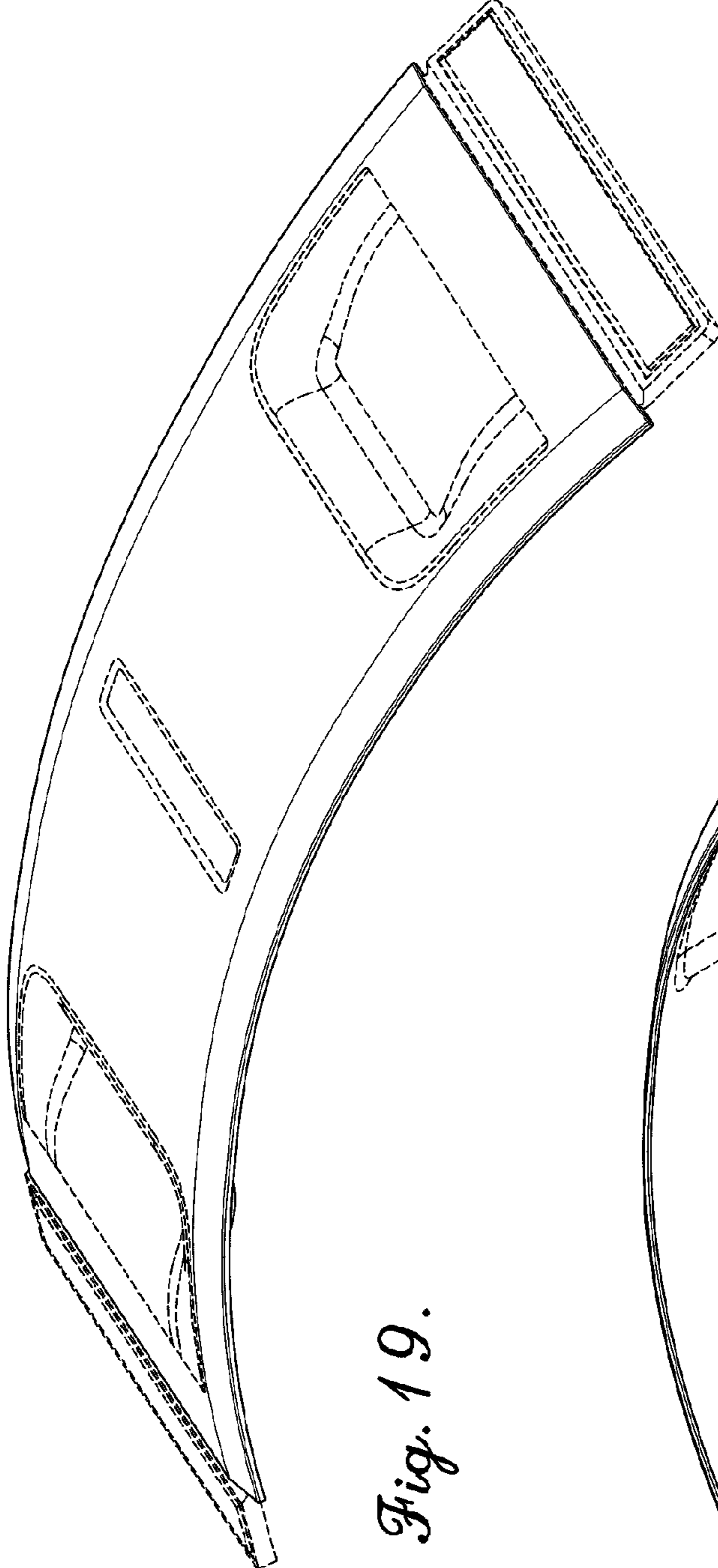


Fig. 19.

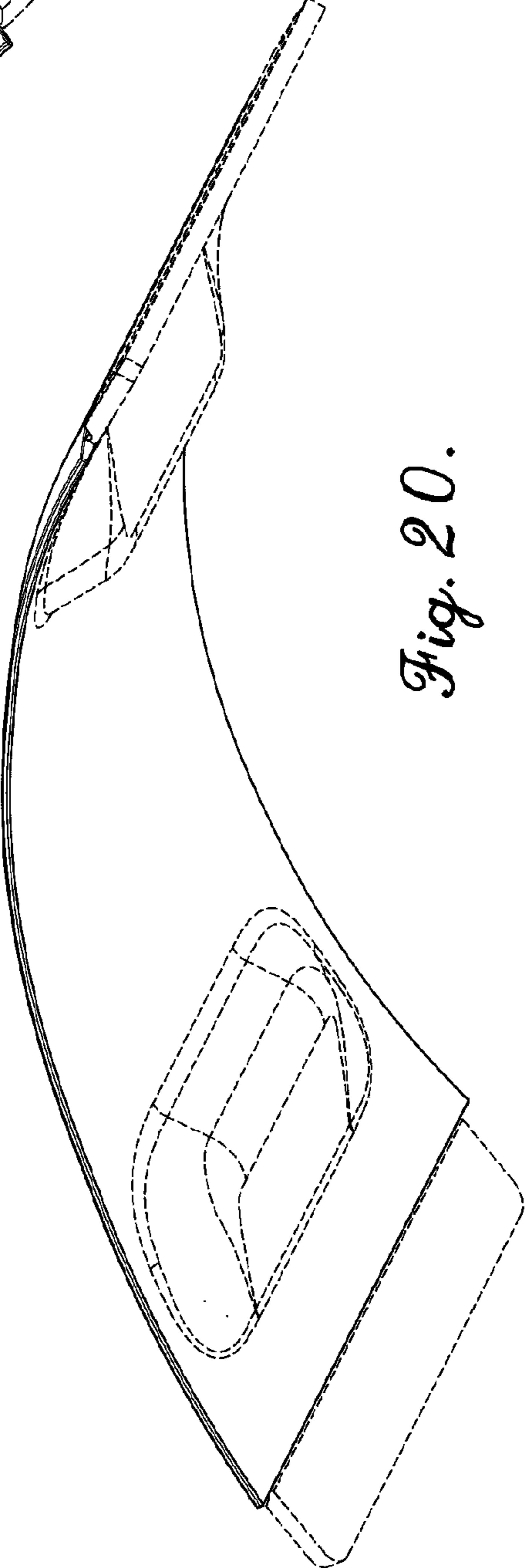


Fig. 20.

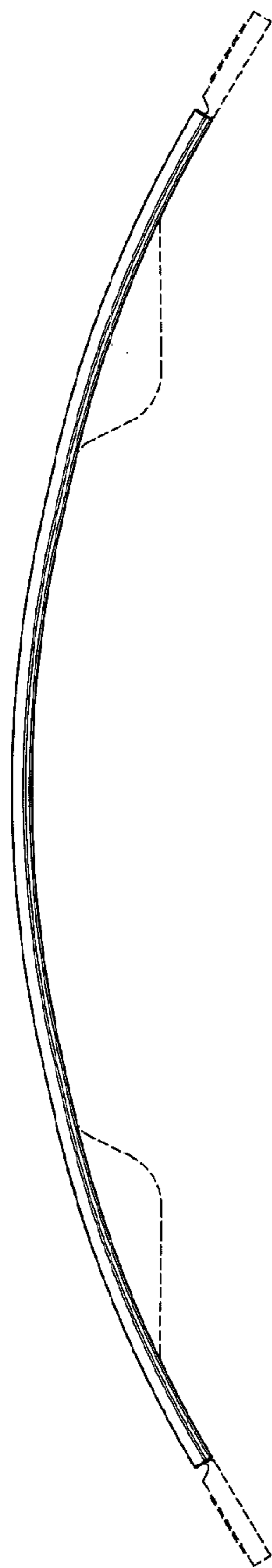


Fig. 21.

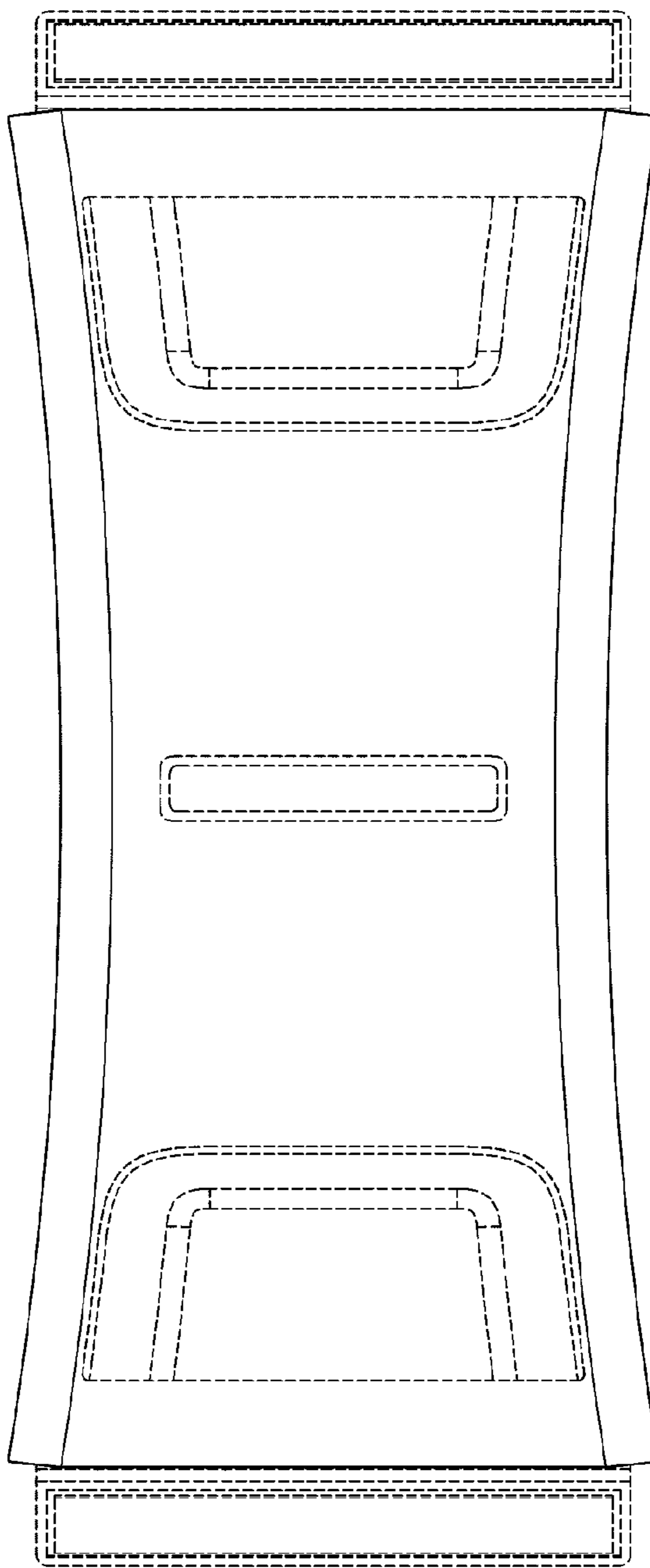


Fig. 22.

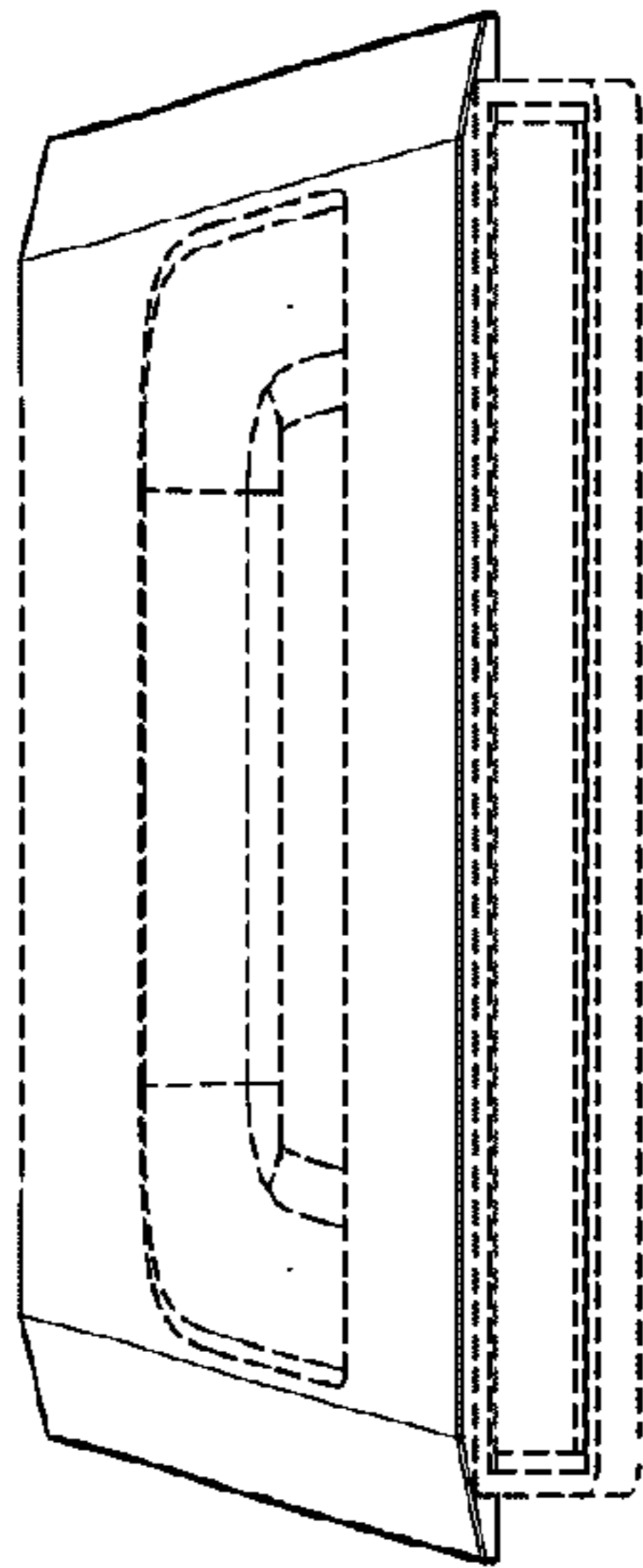


Fig. 23.

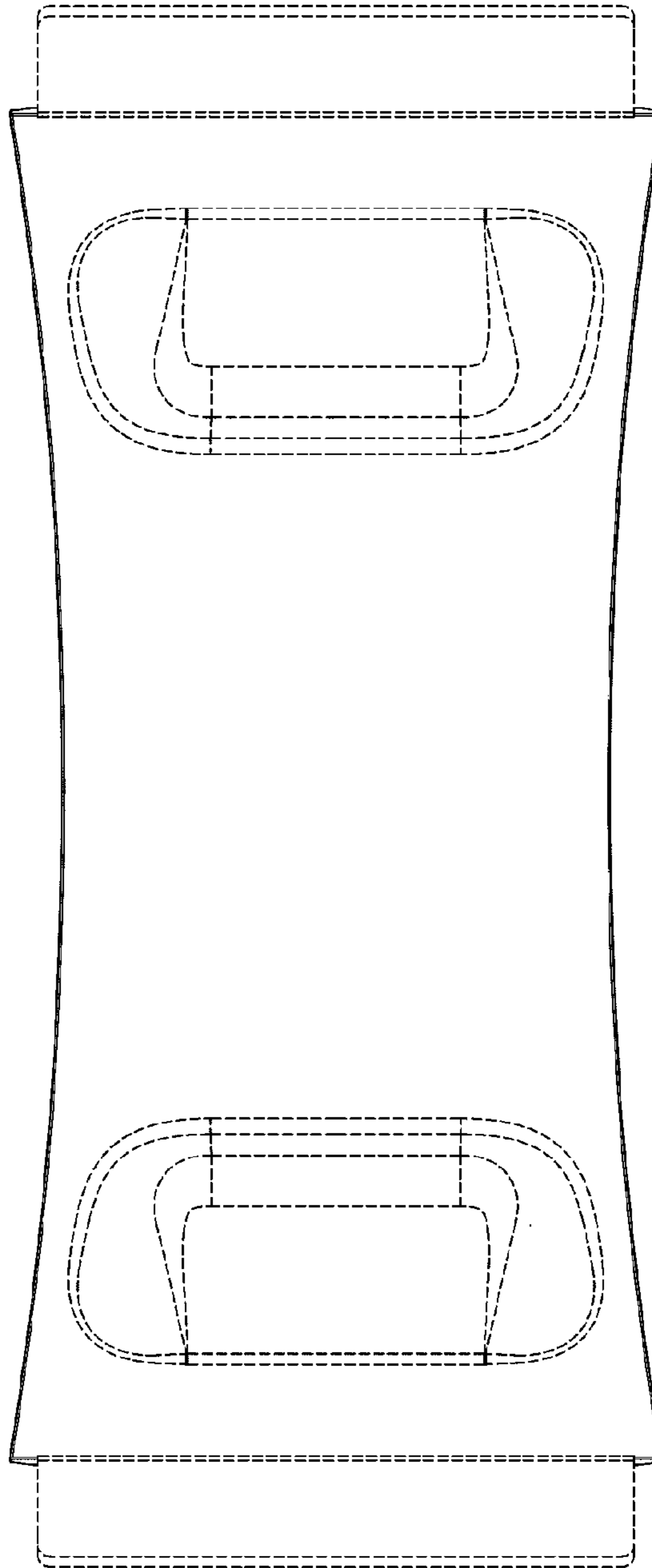


Fig. 24.