



US00D655468S

(12) **United States Design Patent**
Karsan

(10) **Patent No.:** **US D655,468 S**

(45) **Date of Patent:** **** Mar. 6, 2012**

(54) **BRUSH HEAD FOR A VACUUM CLEANER**

(75) Inventor: **Mehmet Karsan**, Offenbach am Main (DE)

(73) Assignee: **Aqua Lotus Marketing GmbH** (DE)

(**) Term: **14 Years**

(21) Appl. No.: **29/377,344**

(22) Filed: **Oct. 20, 2010**

(30) **Foreign Application Priority Data**

Apr. 26, 2010 (DE) 001700162

(51) **LOC (9) Cl.** **15-05**

(52) **U.S. Cl.** **D32/33**

(58) **Field of Classification Search** D32/50,
D32/17, 31-33, 22, 51, 38-40, 45, 25, 49;
15/182, 179, 168, 228, 319, 403, 209.1, 52,
15/1, 246.3, 320-322, 415.1-422.1, 414,
15/412, 354, 362, 366, 374, 400, 327.1, 329,
15/41.1, 42, 48, 171, 176.1, 159.1, 339, 208,
15/372, 385, 115, 106; 401/138-139; 68/222;
134/198, 105

See application file for complete search history.

(56) **References Cited**

U.S. PATENT DOCUMENTS

D298,876	S	*	12/1988	Yamamoto et al.	D32/33
D352,809	S	*	11/1994	Reath	D32/31
D381,780	S	*	7/1997	Summers et al.	D32/33
D418,267	S	*	12/1999	Lin	D32/32
D440,019	S	*	4/2001	Mehaffey et al.	D32/32
D473,687	S	*	4/2003	Kaffenberger	D32/33
D495,106	S	*	8/2004	Leyden et al.	D32/32
D594,612	S	*	6/2009	Umeda	D32/32
2008/0289141	A1	*	11/2008	Oh et al.	15/354

* cited by examiner

Primary Examiner — Ruth McInroy

(74) *Attorney, Agent, or Firm* — Wilmer Cutler Pickering Hale & Dorr LLP.

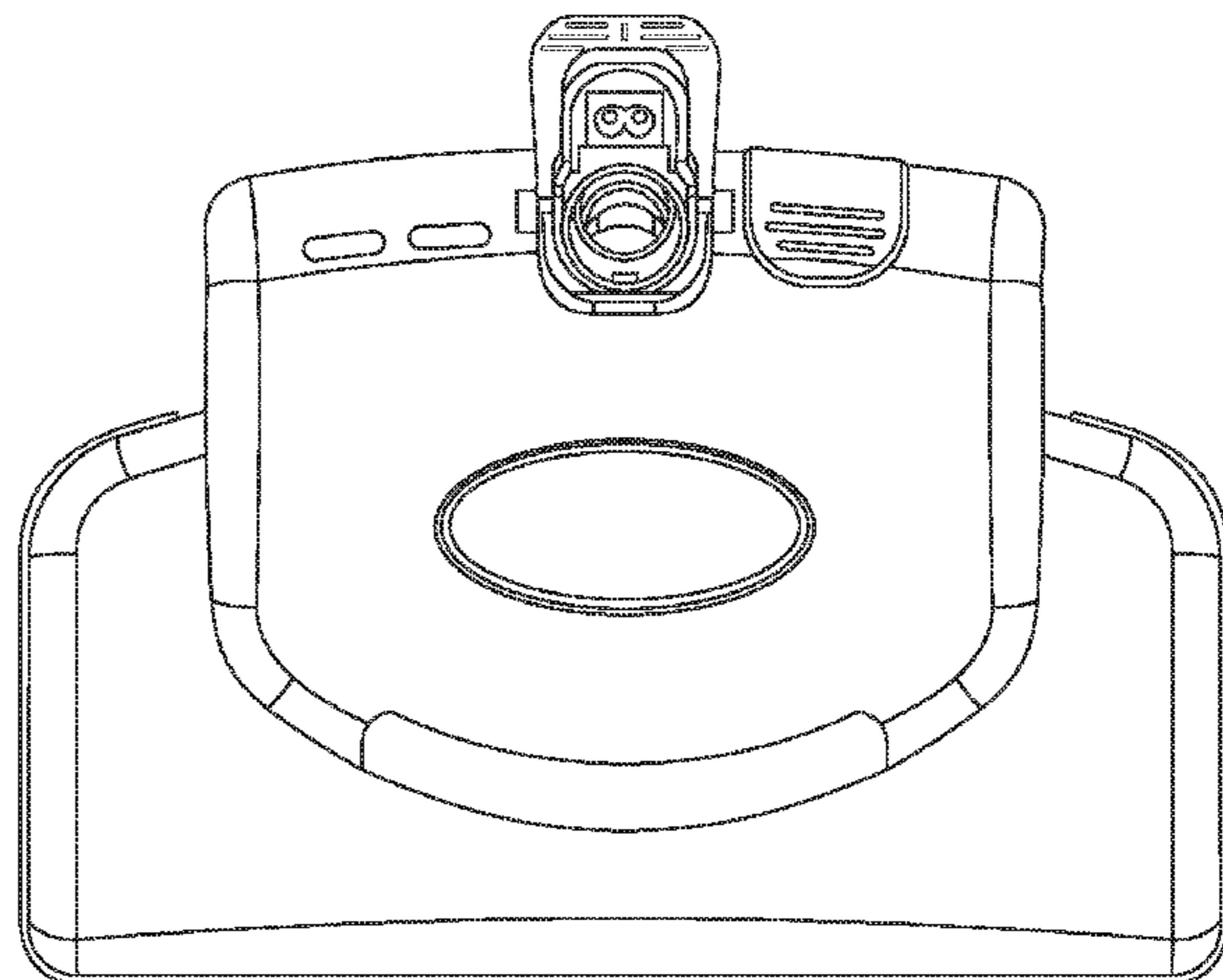
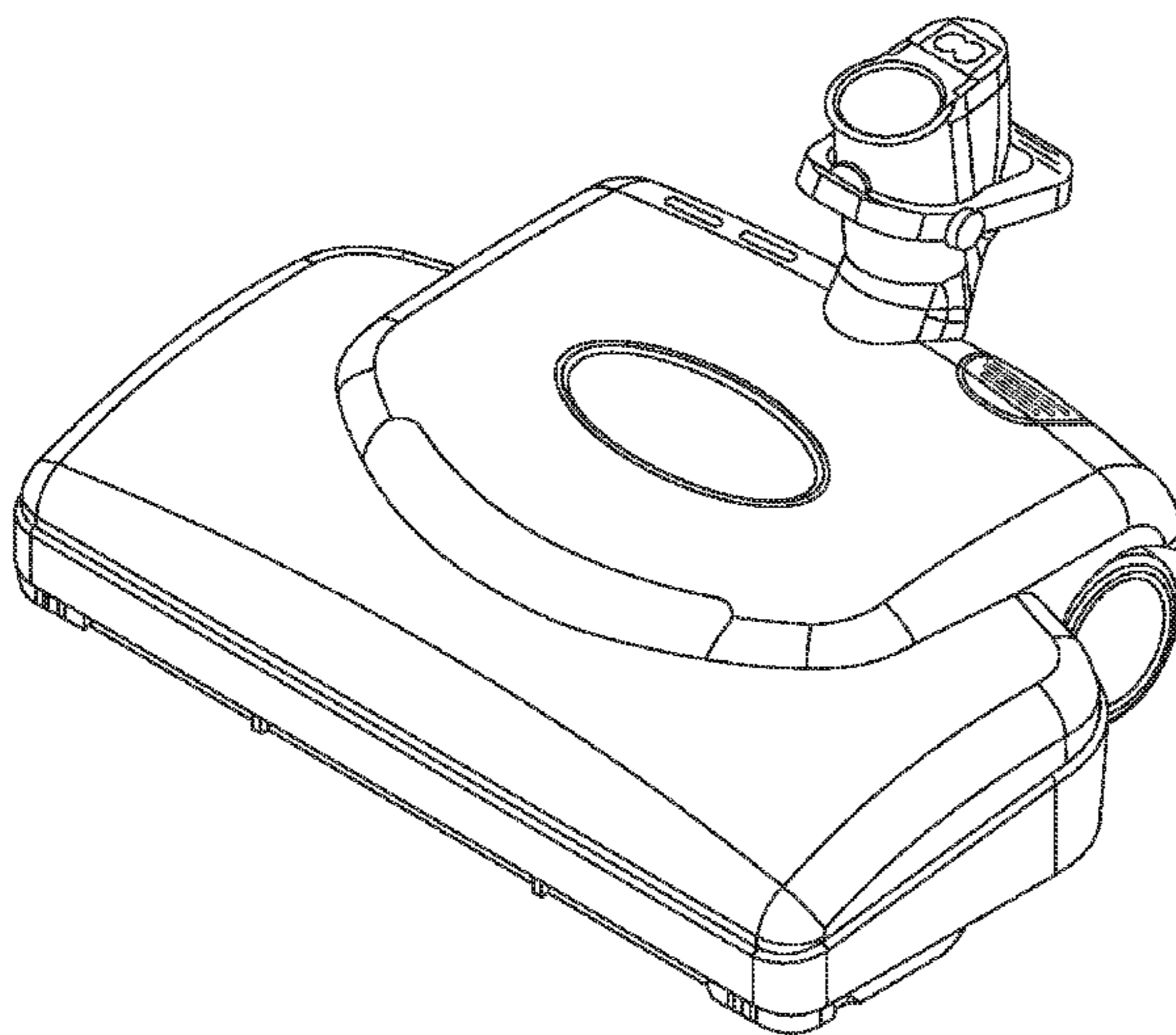
(57) **CLAIM**

I claim the ornamental design for a brush head for a vacuum cleaner, as shown and described.

DESCRIPTION

FIG. 1 is a perspective view of a brush head for a vacuum cleaner showing my new design.
FIG. 2 is a top view thereof.
FIG. 3 is a left side view thereof.
FIG. 4 is a front view thereof.
FIG. 5 is a right side view thereof.
FIG. 6 is a bottom view thereof; and,
FIG. 7 is a rear view thereof.
The details shown in broken lines form no part of the claimed design.

1 Claim, 3 Drawing Sheets



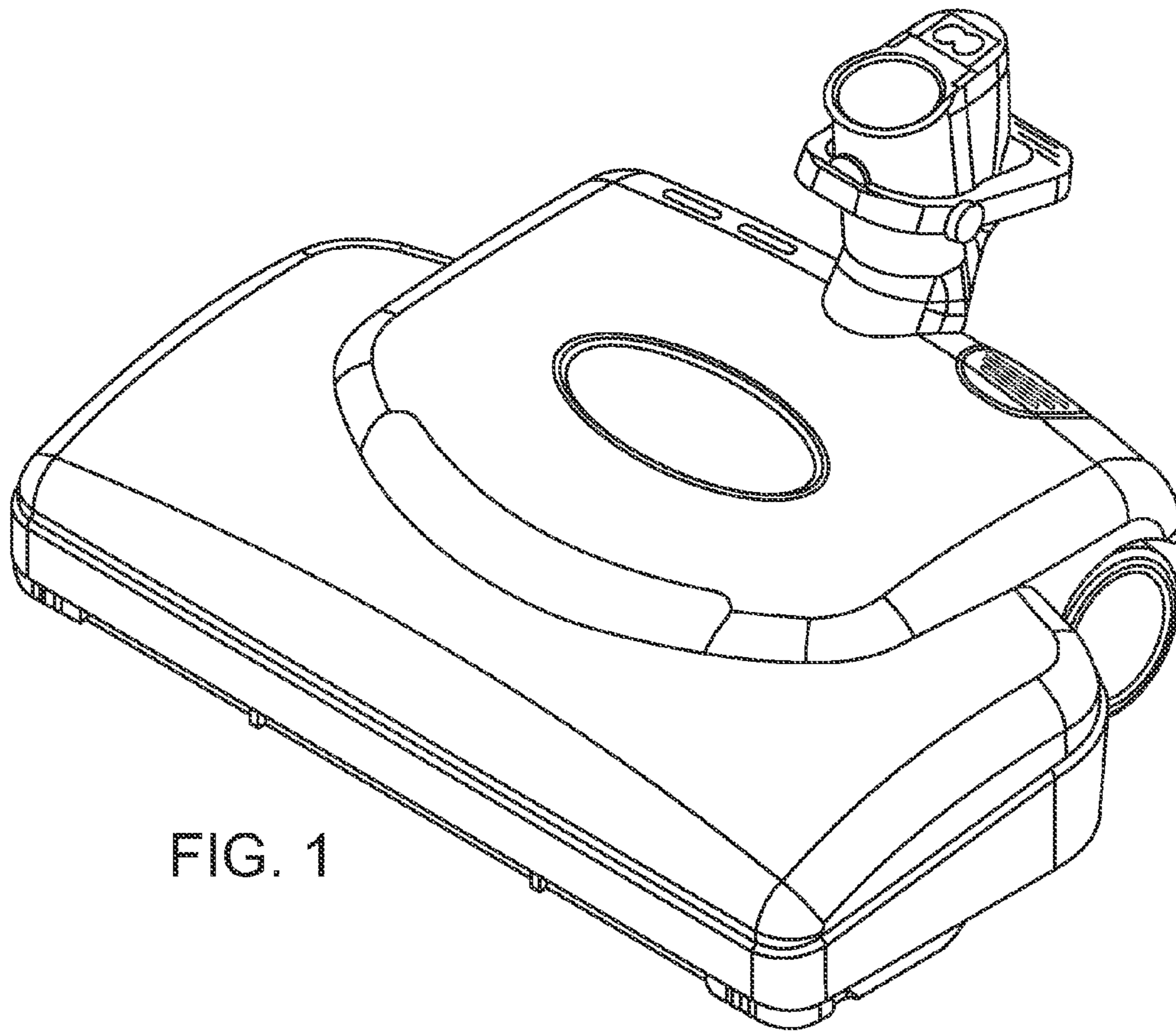


FIG. 1

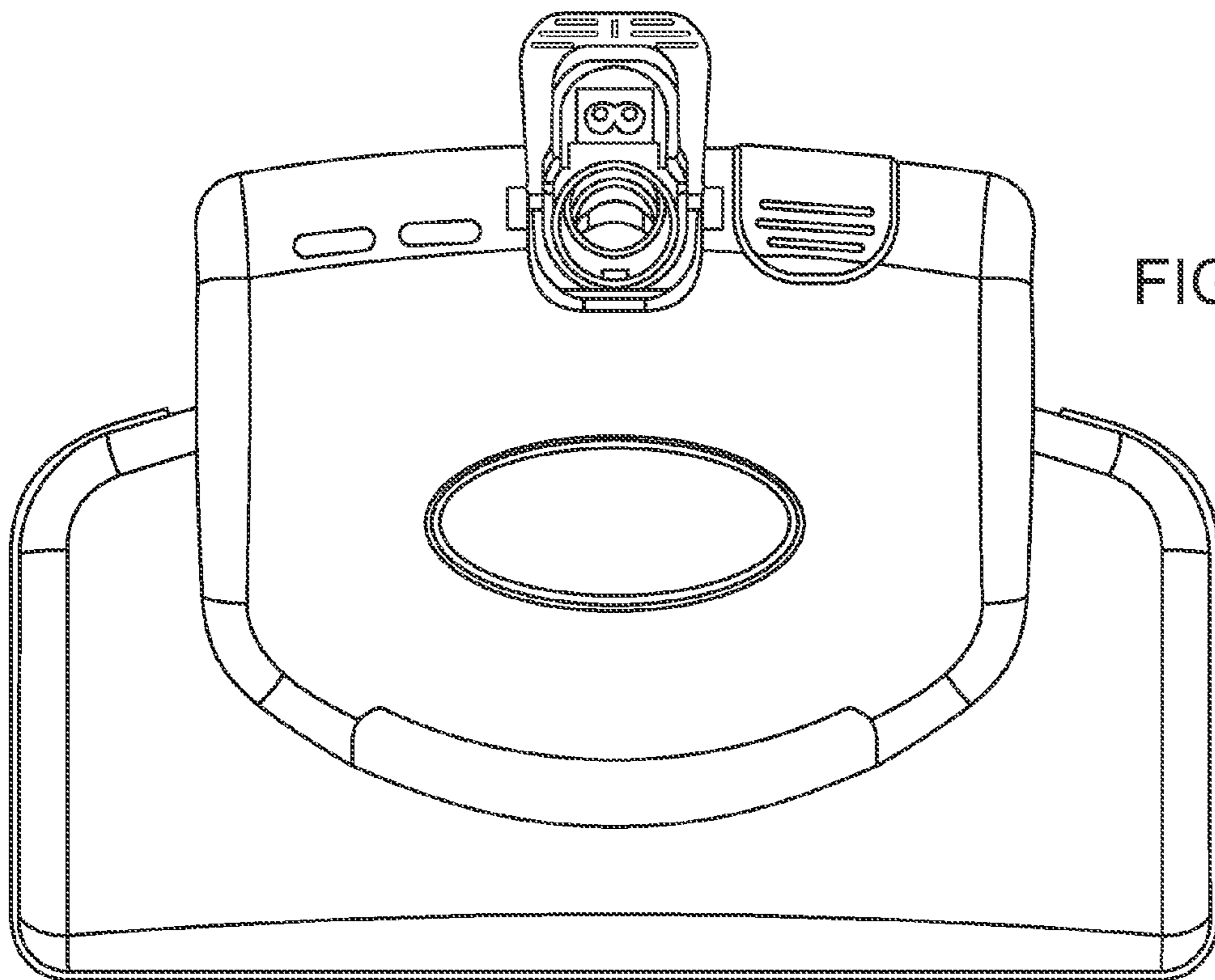


FIG. 2

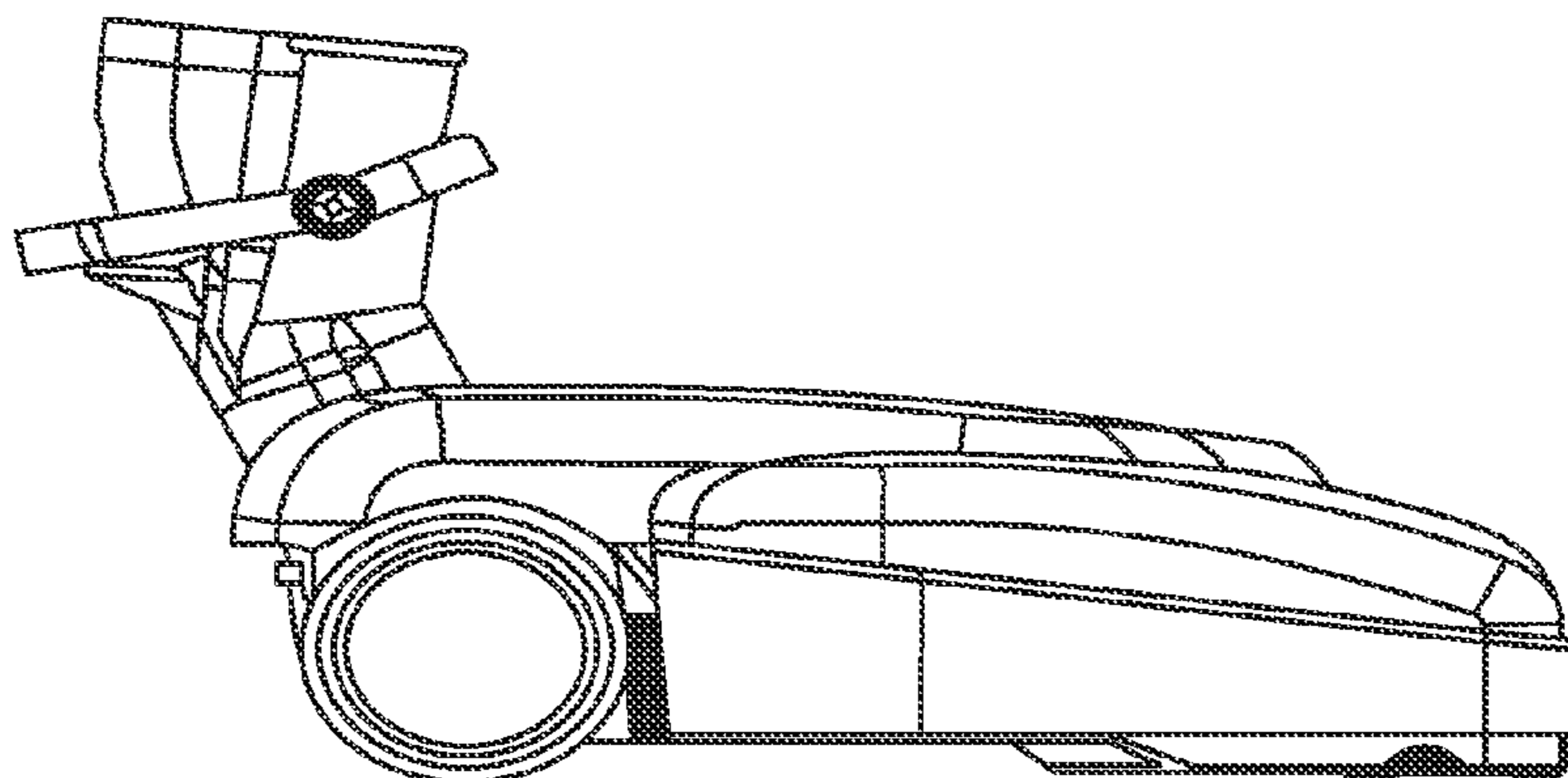


FIG. 3

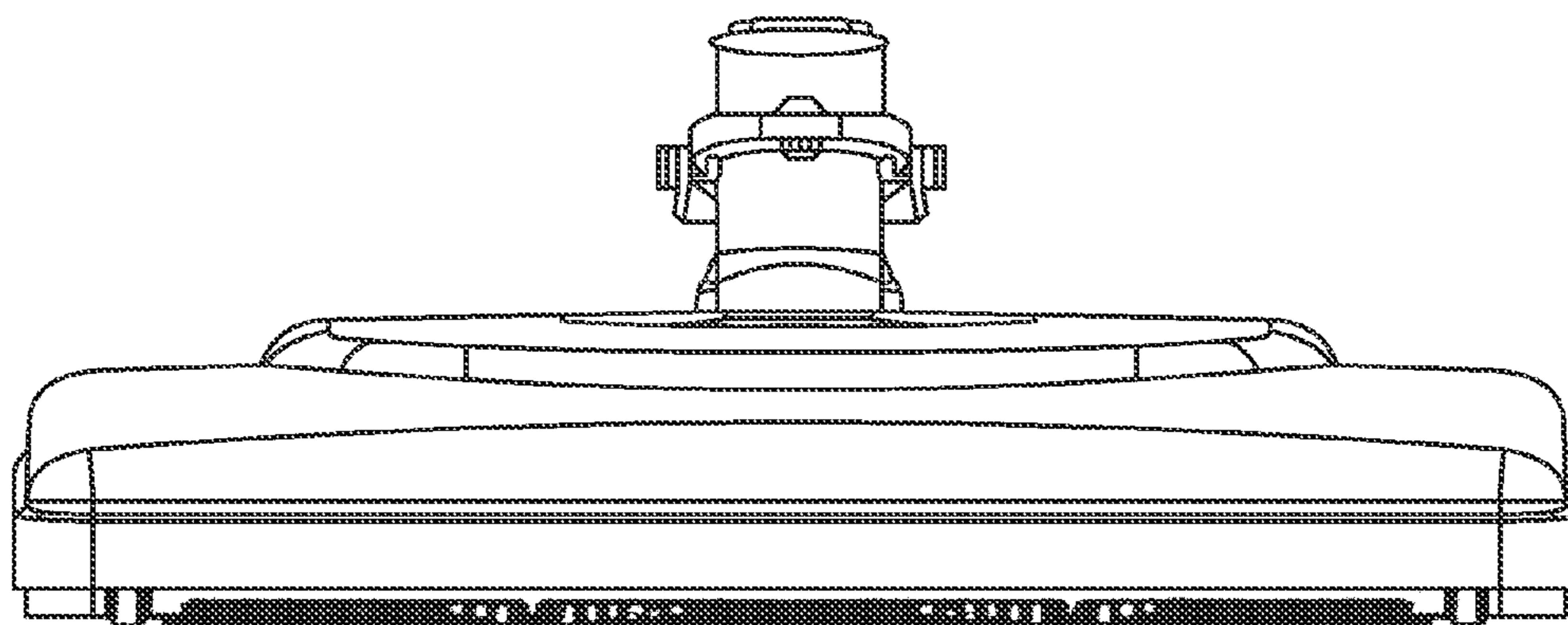


FIG. 4

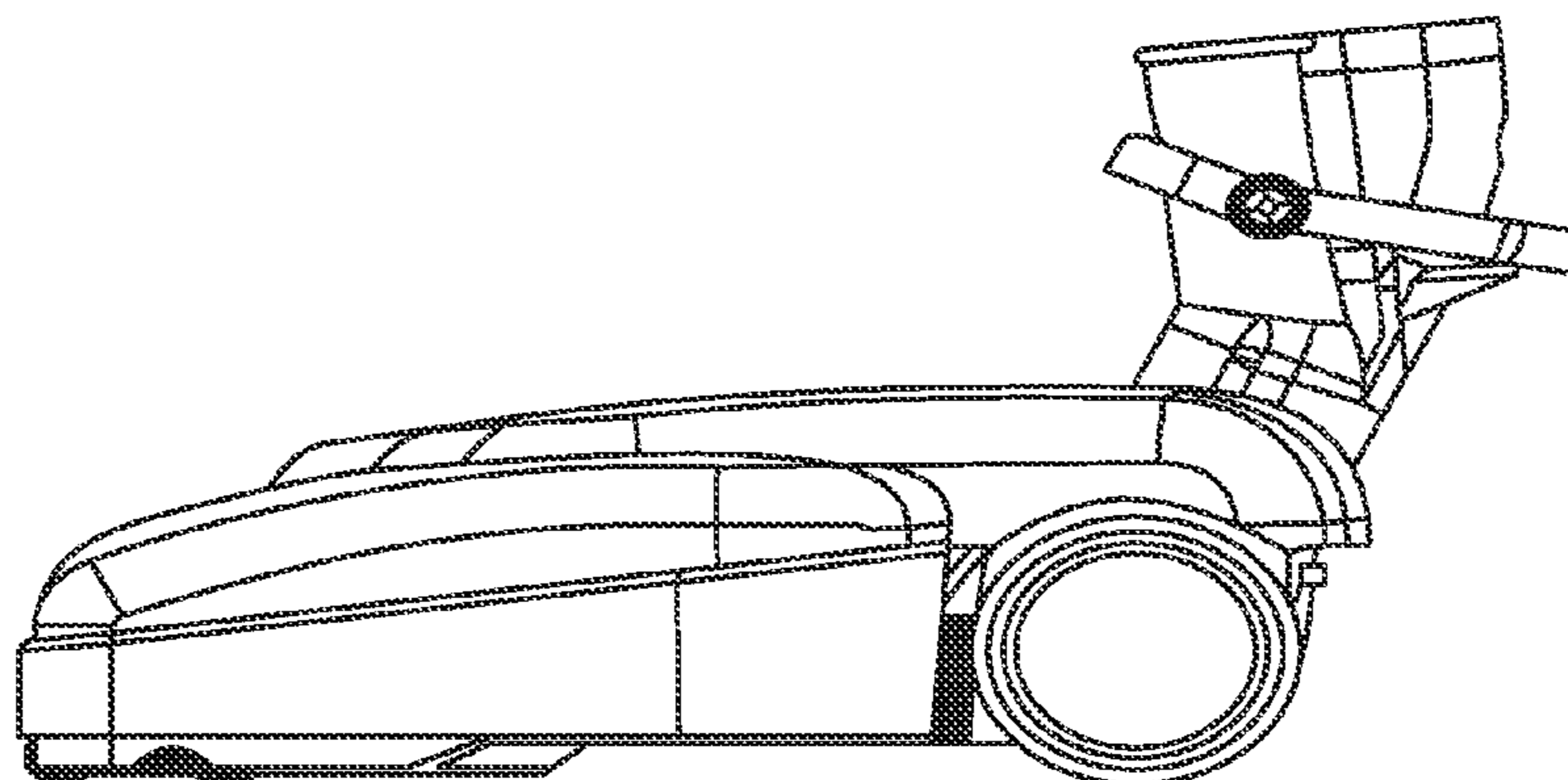


FIG. 5

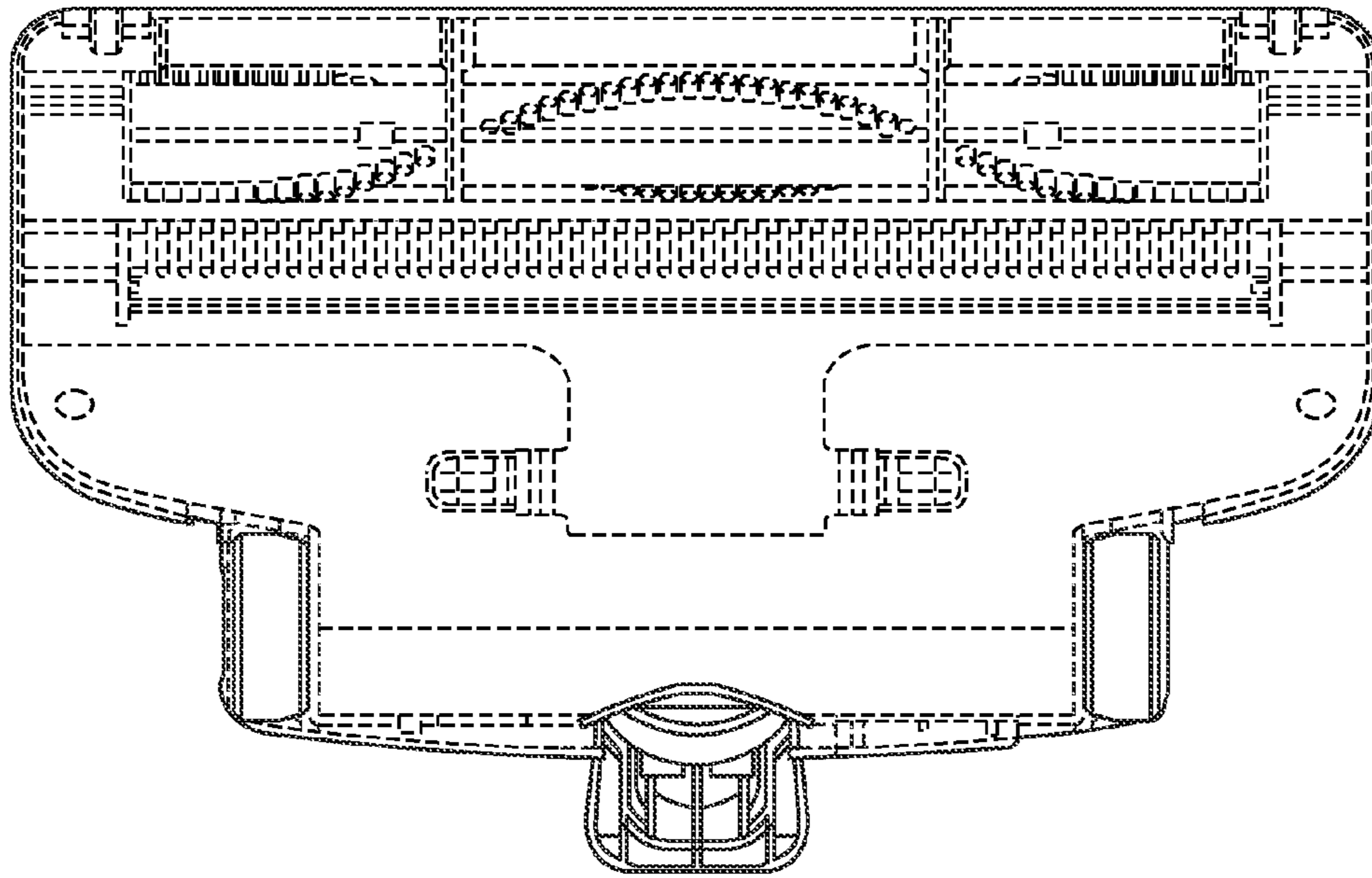


FIG. 6

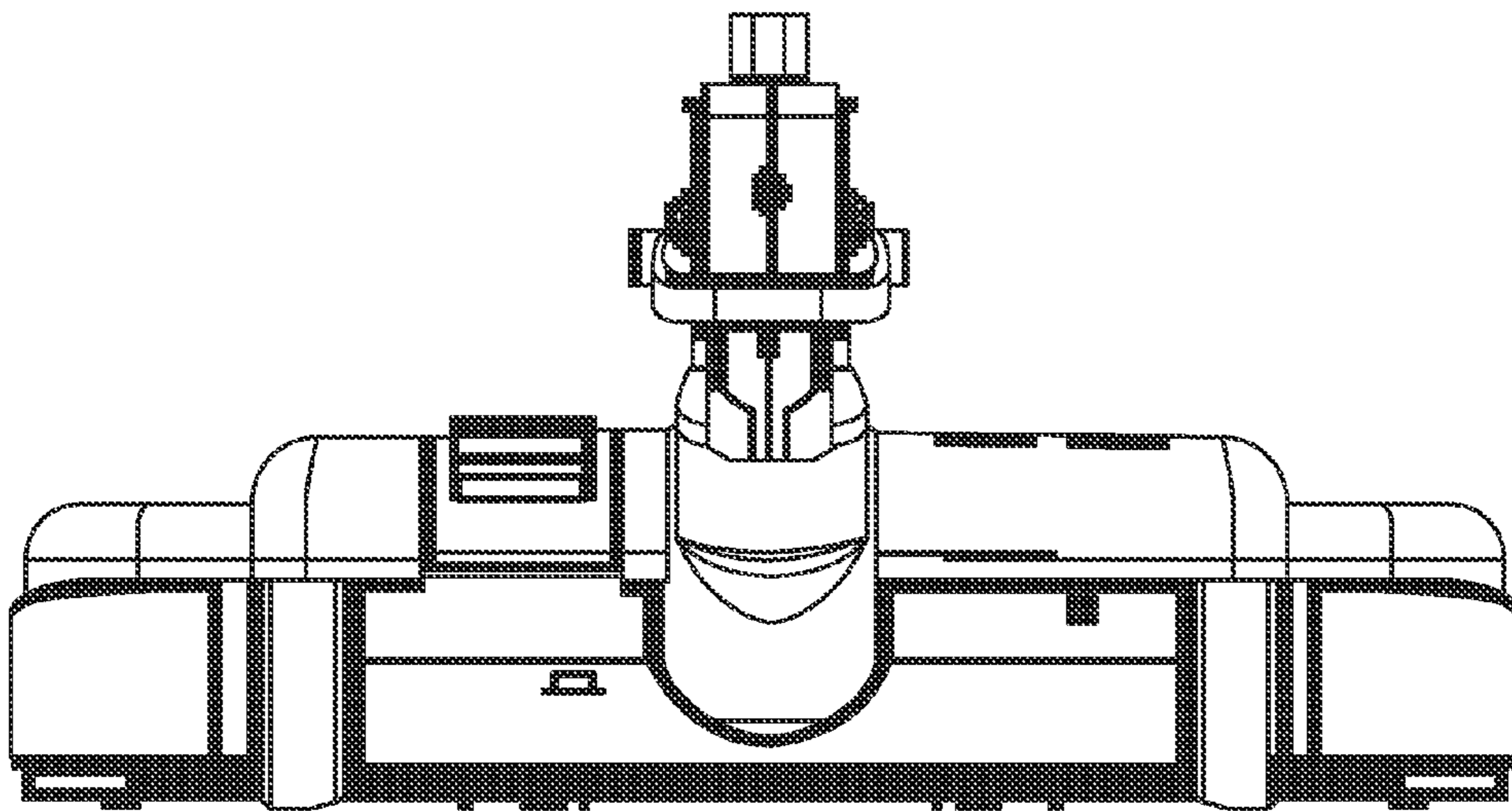


FIG. 7