

US00D655467S

(12) **United States Design Patent**
Hawkins

(10) **Patent No.:** **US D655,467 S**
(45) **Date of Patent:** **** Mar. 6, 2012**

(54) **FRAME FOR WHEELED, MANUALLY MOVEABLE PRESSURE WASHER**

(76) Inventor: **Bobby L. Hawkins**, Travelers Rest, SC (US)

(**) Term: **14 Years**

(21) Appl. No.: **29/379,217**

(22) Filed: **Nov. 16, 2010**

(51) **LOC (9) Cl.** **15-05**

(52) **U.S. Cl.** **D32/25**

(58) **Field of Classification Search** D32/1, D32/15, 17, 25; D4/102; D34/5, 24, 27; 417/630, 634; 15/320-321; 239/146-147, 239/149, 155-158

See application file for complete search history.

(56) **References Cited**

U.S. PATENT DOCUMENTS

3,827,707	A *	8/1974	Bierman	280/654
3,894,748	A *	7/1975	Ratcliff	280/641
4,790,559	A *	12/1988	Edmonds	280/655
4,923,202	A *	5/1990	Breveglieri et al.	280/47.35
4,974,862	A *	12/1990	Maupin	280/47.27
5,002,304	A *	3/1991	Carrigan, Jr.	280/655
5,230,471	A	7/1993	Berfield		
D345,842	S *	4/1994	Sloan et al.	D34/26
D349,711	S *	8/1994	Torntore et al.	D15/13
5,533,671	A	7/1996	Baer		
5,964,409	A	10/1999	Alexander et al.		
5,967,544	A *	10/1999	Kanta	280/652
D441,935	S *	5/2001	Cook	D34/24
D451,257	S *	11/2001	Moritsch	D34/24
6,360,964	B1	3/2002	Occhiogrosso		
D467,692	S *	12/2002	Morgan et al.	D32/15
6,892,957	B2	5/2005	Bennett et al.		
6,935,642	B1 *	8/2005	Craig et al.	280/47.24

7,125,228	B2	10/2006	Dexter et al.		
7,198,204	B2	4/2007	Bennett et al.		
7,316,286	B2	1/2008	Hillary		
D579,612	S *	10/2008	Rutkowski et al.	D32/25
D580,610	S *	11/2008	Hawkins	D32/25
D588,948	S *	3/2009	Elie	D10/64
2006/0102212	A1	5/2006	Leasure et al.		
2006/0130884	A1	6/2006	Liao		
2008/0245425	A1	10/2008	Alexander		
2008/0245899	A1	10/2008	Parris et al.		
2009/0065607	A1	3/2009	Gardner et al.		

OTHER PUBLICATIONS

Owner's Manual, Model TPW-2200, Commercial Pressure Washer, Titan Industries, Revision #030321A, Mar. 21, 2003.

* cited by examiner

Primary Examiner — T. Chase Nelson

Assistant Examiner — Kathleen M Sims

(74) *Attorney, Agent, or Firm* — Dority & Manning, P.A.

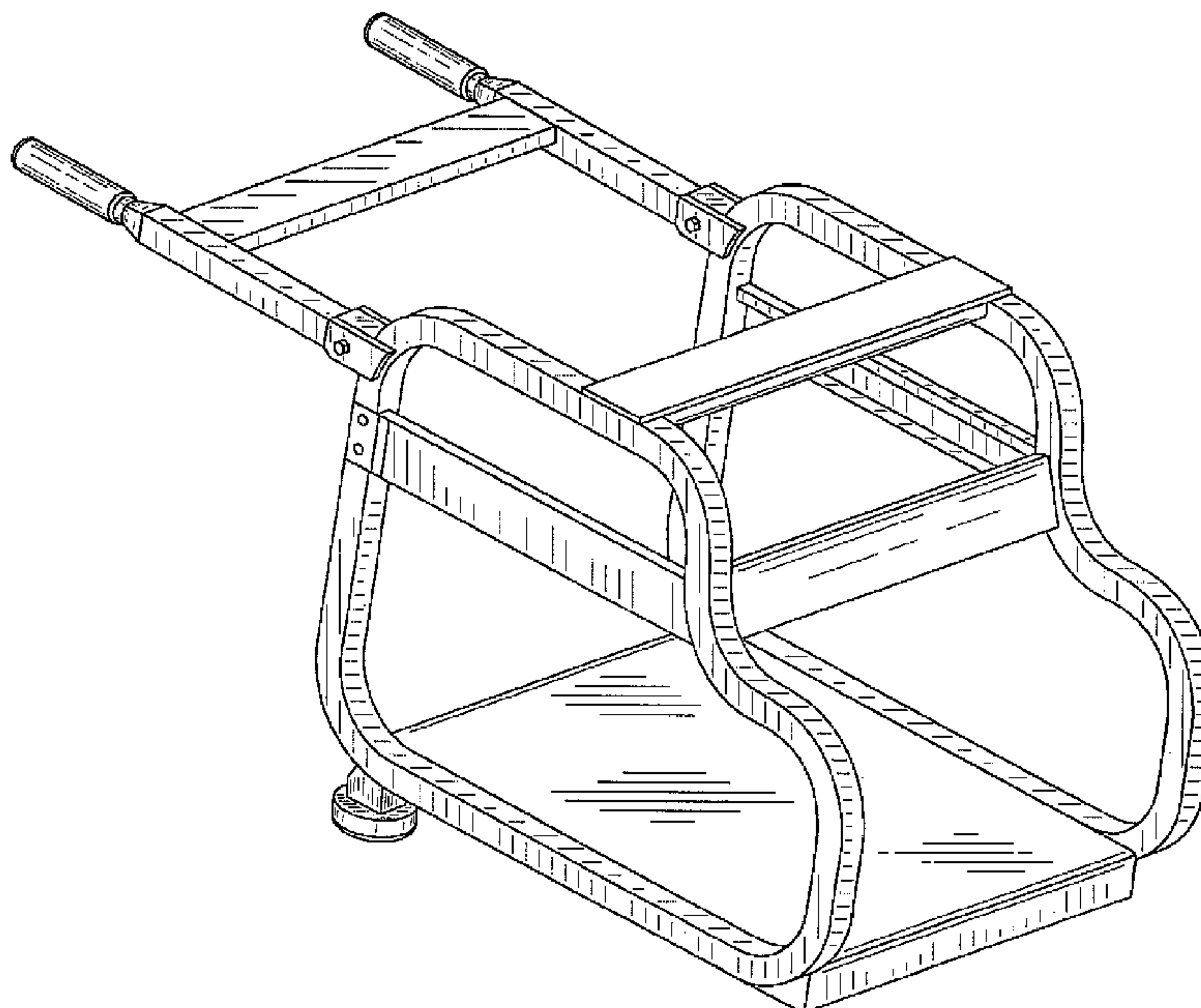
(57) **CLAIM**

The ornamental design for a frame for wheeled, manually moveable pressure washer, as shown and described.

DESCRIPTION

FIG. 1 is an elevated perspective view of a frame for wheeled, manually moveable pressure washer showing my new design; FIG. 2 is a right side elevational view thereof, the left side elevational view being a mirror image thereof; FIG. 3 is a front elevational view thereof; FIG. 4 is a rear elevational view thereof; FIG. 5 is a top plan view thereof; and, FIG. 6 is a bottom plan view thereof. Environmental structures forming no part of the claimed subject matter are depicted in dashed line.

1 Claim, 6 Drawing Sheets



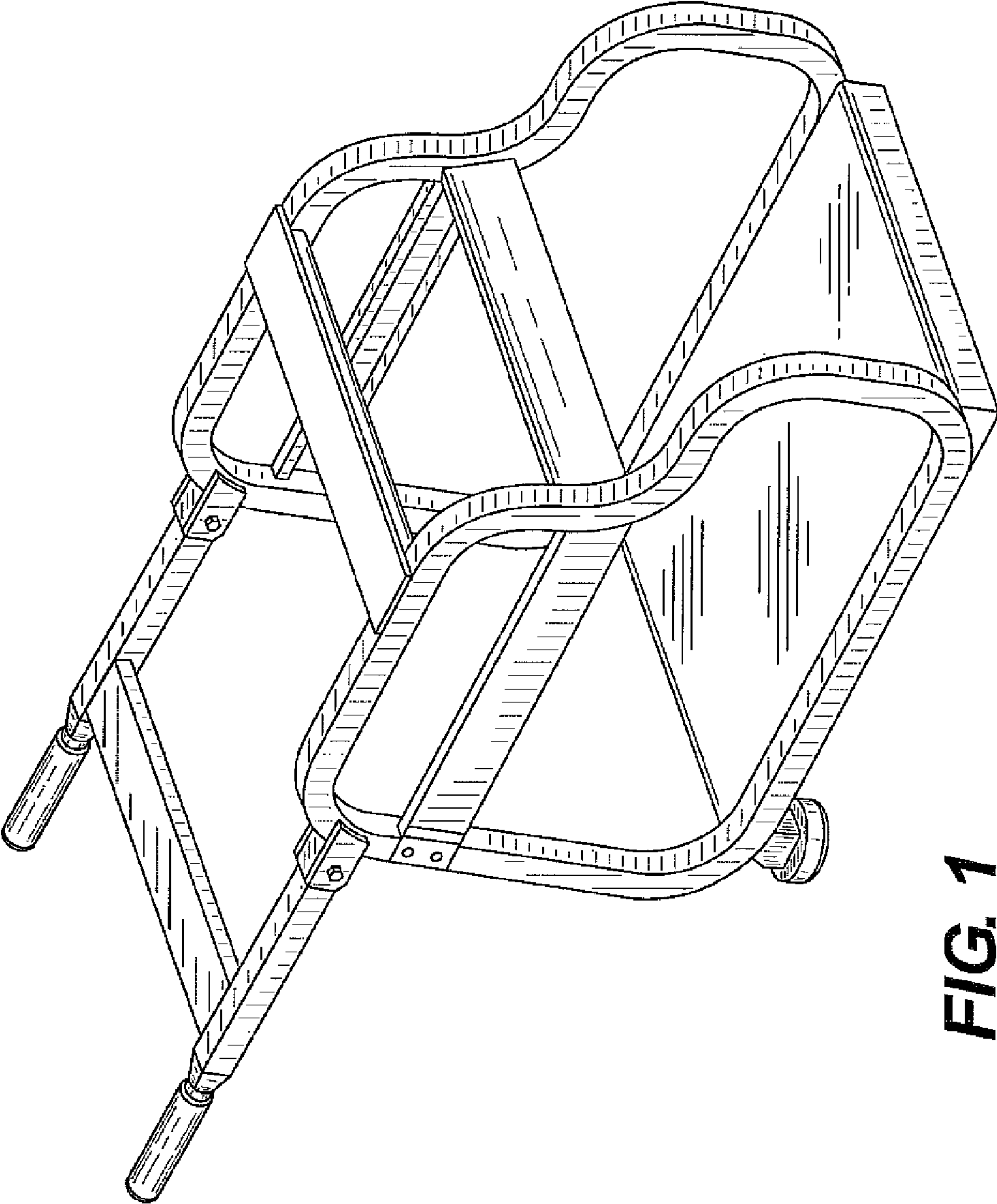


FIG. 1

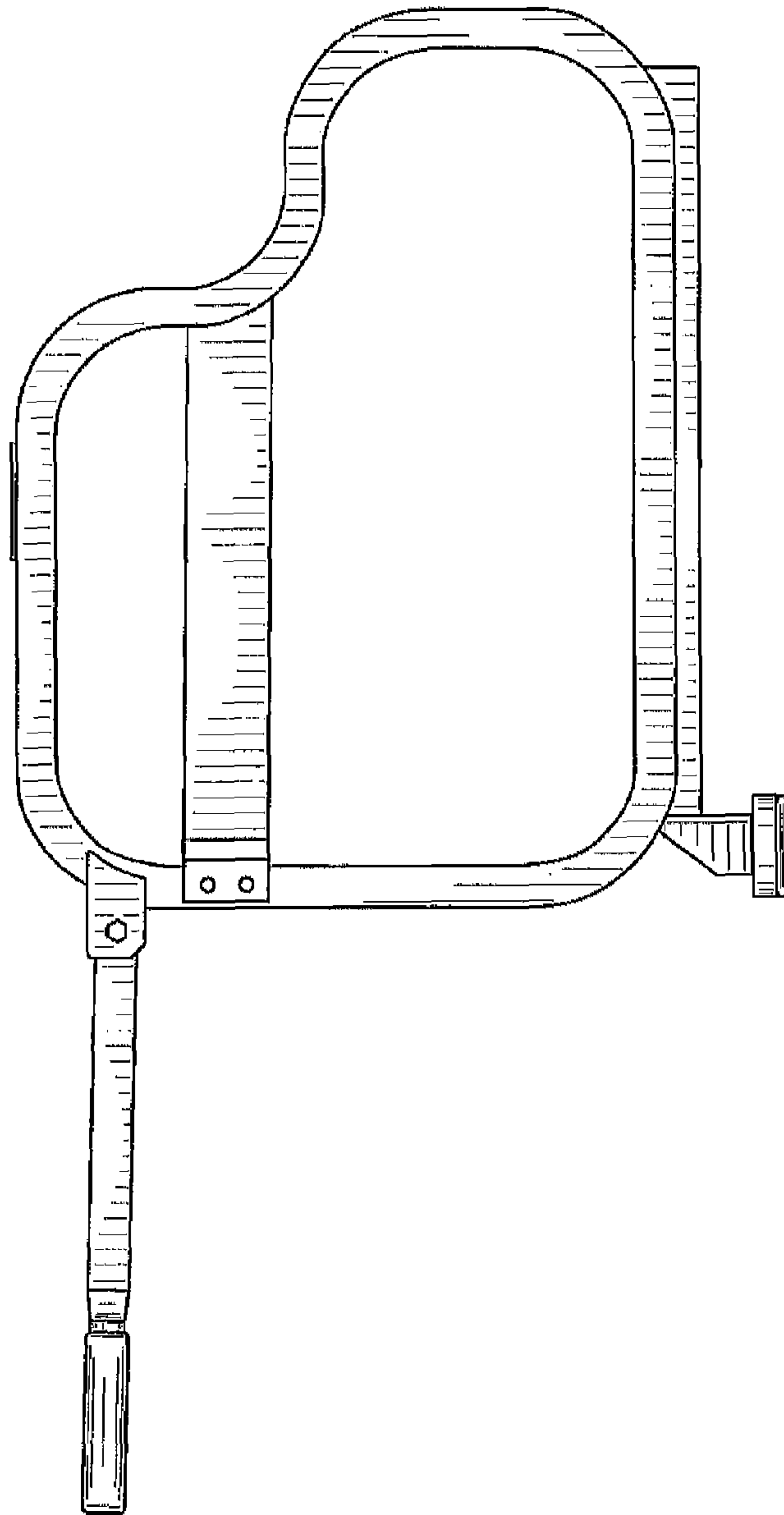


FIG. 2

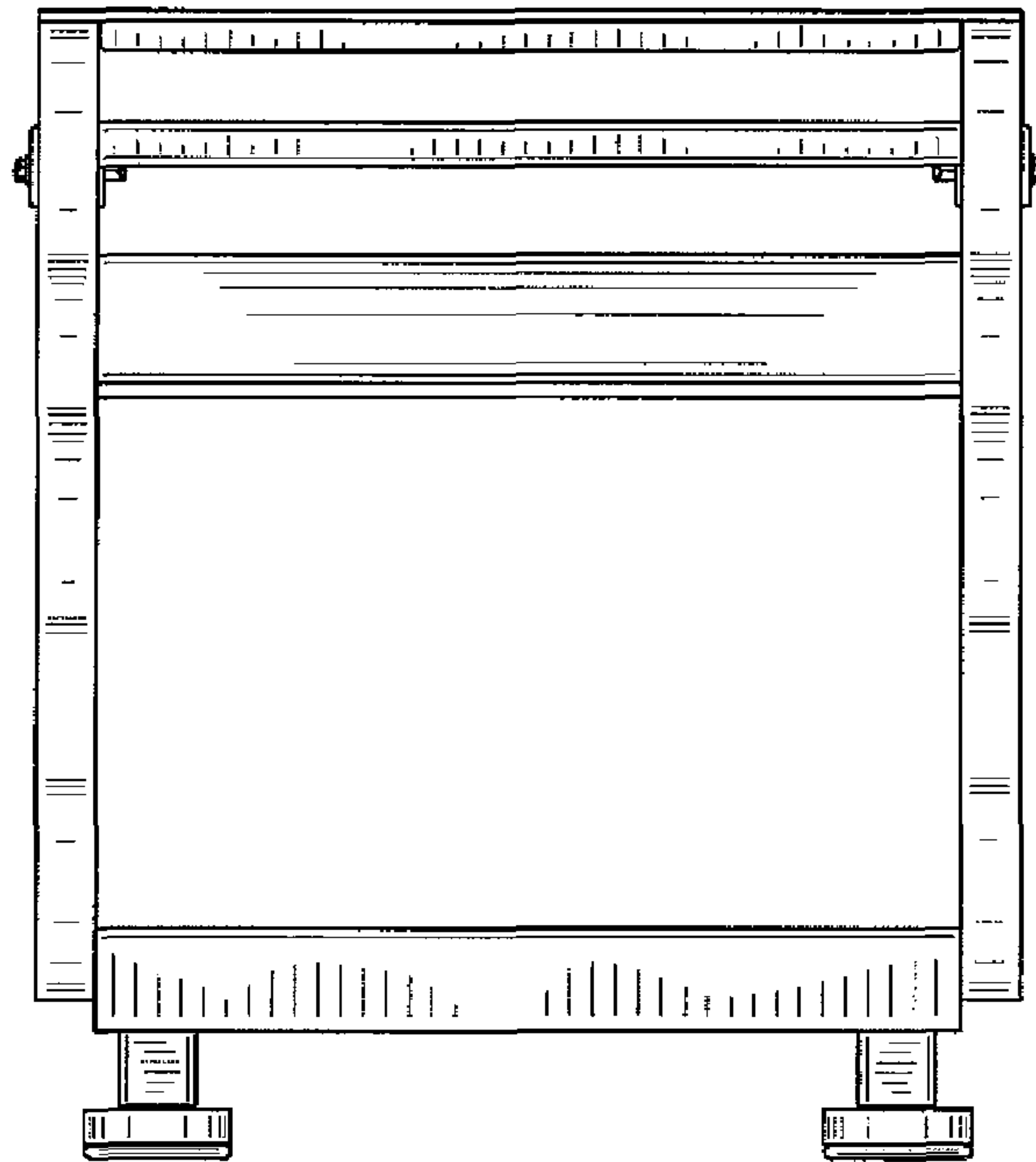


FIG. 3

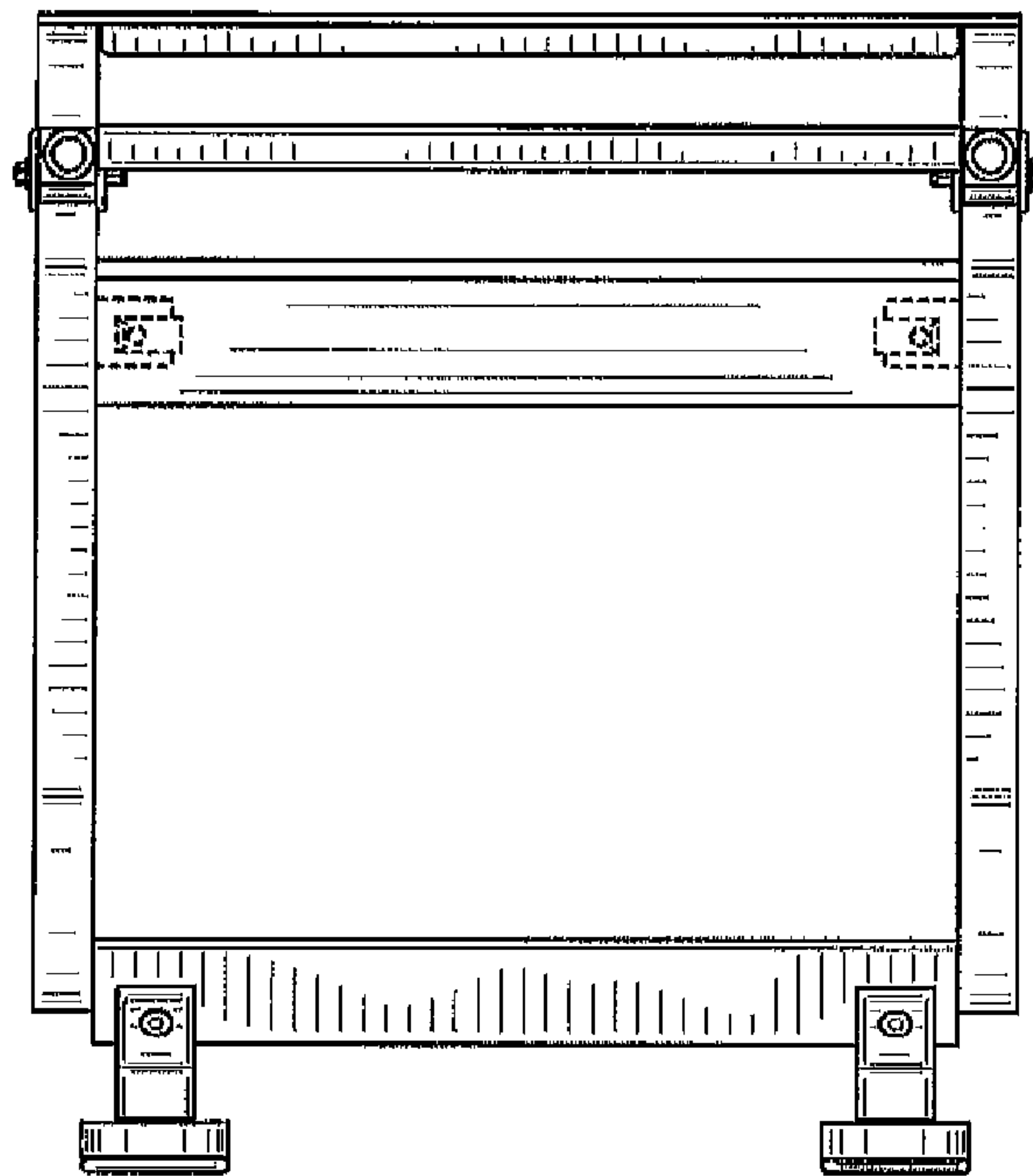


FIG. 4

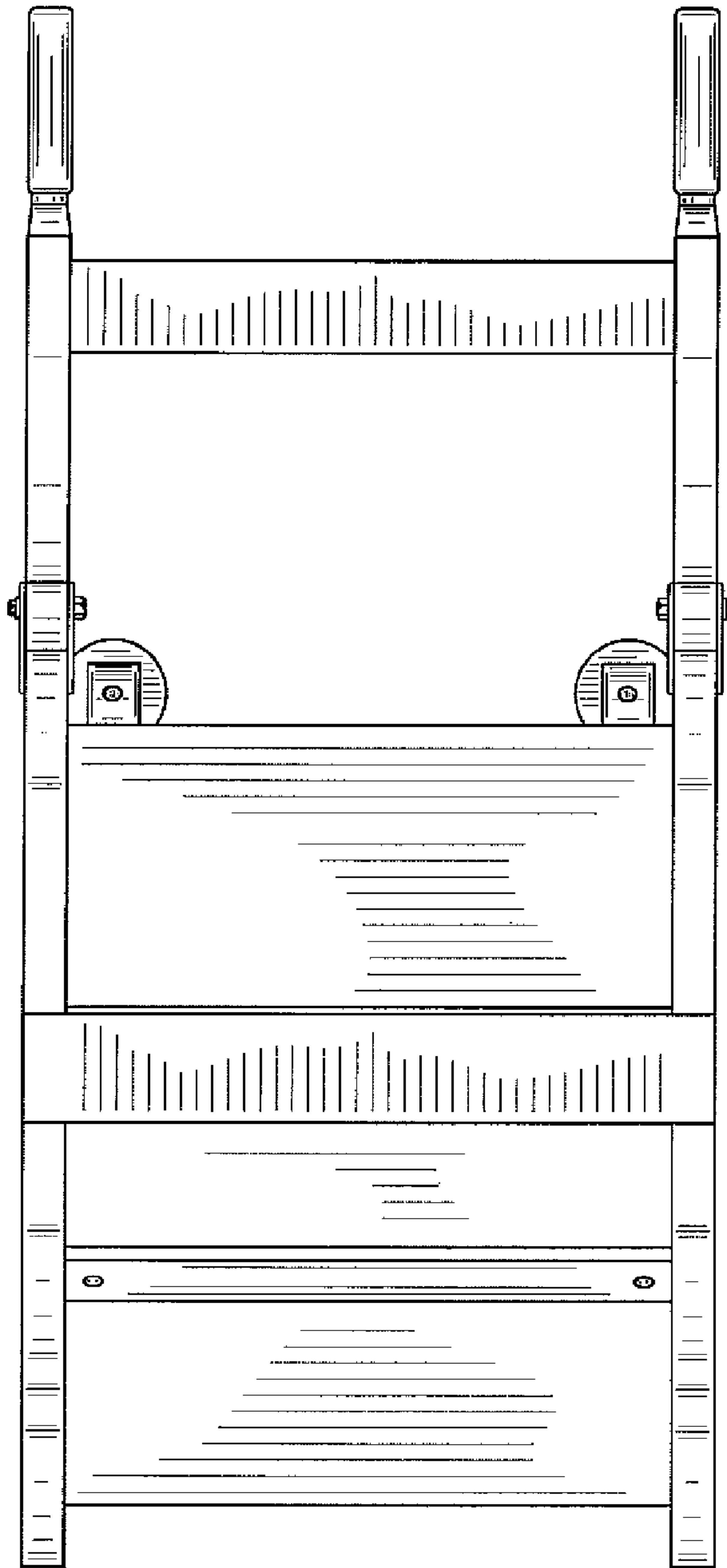


FIG. 5

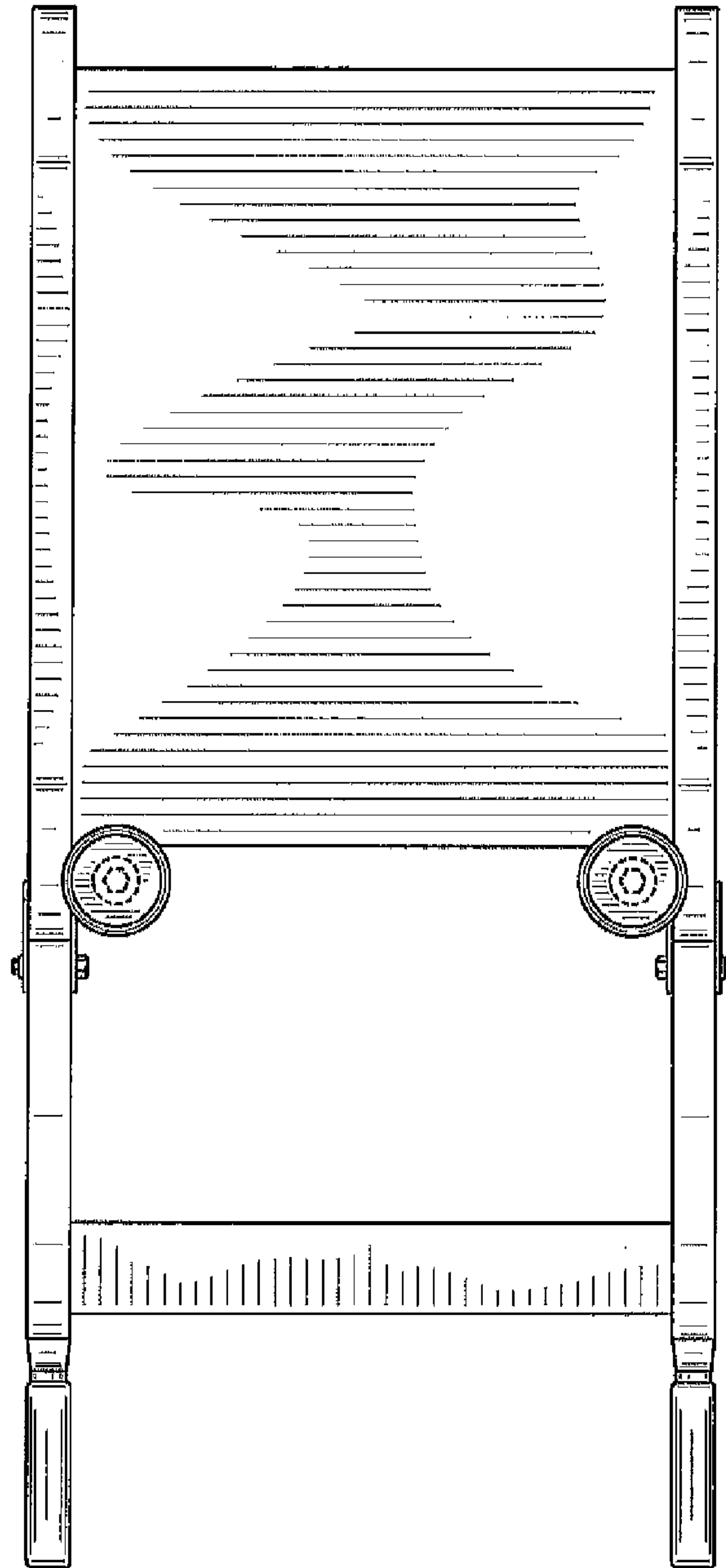


FIG. 6