



US00D655462S

(12) **United States Design Patent**
Carpenter

(10) **Patent No.:** **US D655,462 S**
(45) **Date of Patent:** **** Mar. 6, 2012**

- (54) **ANIMAL FEEDER TRAY**
 - (75) Inventor: **James R. Carpenter**, Zionsville, IN
(US)
 - (73) Assignee: **Wild Birds Unlimited, Inc**, Carmel, IN
(US)
 - (**) Term: **14 Years**
 - (21) Appl. No.: **29/370,400**
 - (22) Filed: **Jul. 12, 2010**
 - (51) **LOC (9) Cl.** **30-03**
 - (52) **U.S. Cl.** **D30/124; D30/121**
 - (58) **Field of Classification Search** D30/133,
D30/121, 122, 124, 127, 128, 132, 126, 199,
D30/125; 119/51.01, 61, 51.04, 53, 57.91,
119/54, 53.5, 52.4, 51.11, 63, 61.2, 52.1,
119/57.5, 57.6, 51.13, 62, 75, 500, 501; 239/7,
239/687, 379, 397.5; 222/199, 181.1, 181.2,
222/185.1, 557, 156, 485, 486, 548, 555;
220/200, 227, 247, 262; 221/174, 185.1,
221/289, 295, 296, 559; 454/35; 209/270,
209/283, 244; 52/194, 192; 49/279, 344,
49/357; D34/28
- See application file for complete search history.

D252,046 S	6/1979	Beller	
D278,166 S	3/1985	Kilham	
4,838,205 A *	6/1989	Larson	119/52.2
4,867,104 A *	9/1989	Vandiver	119/57.9
D311,611 S *	10/1990	Letarte et al.	D30/131
D329,723 S	9/1992	Carpenter	
D358,563 S *	5/1995	Opheim	D11/143
D363,368 S *	10/1995	Tostige	D30/124
5,471,951 A *	12/1995	Collins	119/57.9
D385,066 S	10/1997	Doombos	
D396,334 S	7/1998	Gutierrez	
D399,781 S *	10/1998	Ray	D11/143
D414,902 S *	10/1999	Carpenter	D30/124
D426,682 S *	6/2000	Kreger et al.	D30/121
6,349,673 B1 *	2/2002	Schumann	119/52.2
D474,564 S	5/2003	Reed	
6,595,158 B1 *	7/2003	Van Allen	119/52.2
D489,847 S *	5/2004	Tsengas	D30/130
D490,191 S *	5/2004	Mollohan et al.	D30/121
D490,192 S	5/2004	Markusen et al.	
D514,748 S *	2/2006	Sweasy	D30/124
7,694,652 B2 *	4/2010	Fahey	119/52.3

* cited by examiner

Primary Examiner — Susan Moon Lee

(74) *Attorney, Agent, or Firm* — E. Victor Indiano; Indiano Law Group LLC

(57) **CLAIM**

The ornamental design for an animal feeder tray, as shown and described.

(56) **References Cited**

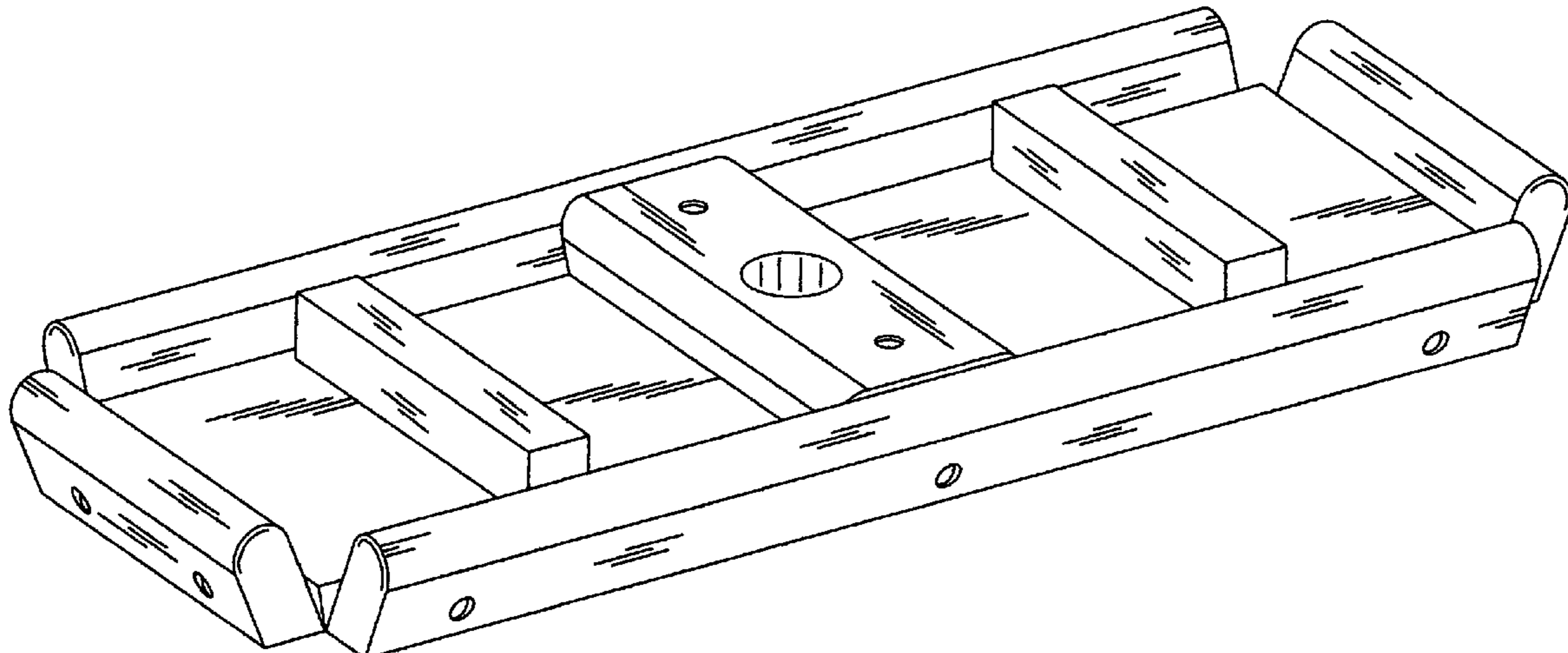
U.S. PATENT DOCUMENTS

821,246 A *	5/1906	Kegerreis	449/10
D120,852 S *	6/1940	Bishop	D30/124
2,316,463 A *	4/1943	Skulina	119/57.8
D191,518 S *	10/1961	Olsen	D30/124
3,089,461 A *	5/1963	Dunn	119/57.9
3,253,576 A *	5/1966	Tvedten	119/51.03
D219,227 S *	11/1970	Cusenbary	D30/131
D245,114 S	7/1977	Vaughn	
D249,075 S	8/1978	Platt	
D251,688 S *	4/1979	Kimbrough, III	D30/124

DESCRIPTION

FIG. 1 is a perspective view of an animal feeder tray showing a new design;
 FIG. 2 is a top rear view thereof;
 FIG. 3 is a front side view thereof, the rear side view being identical thereto;
 FIG. 4 is a bottom view thereof; and,
 FIG. 5 is a right side view thereof, the left side view being identical thereto.

1 Claim, 3 Drawing Sheets



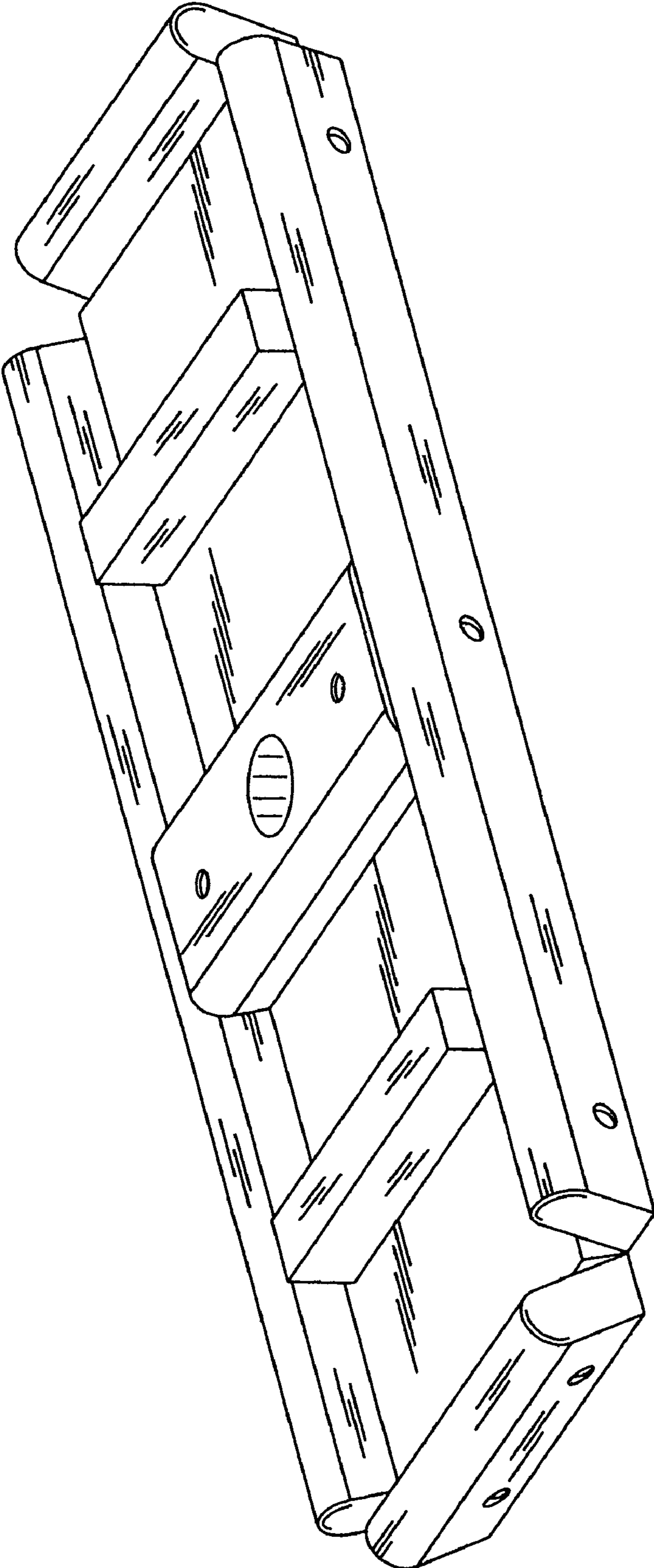


FIG. 1

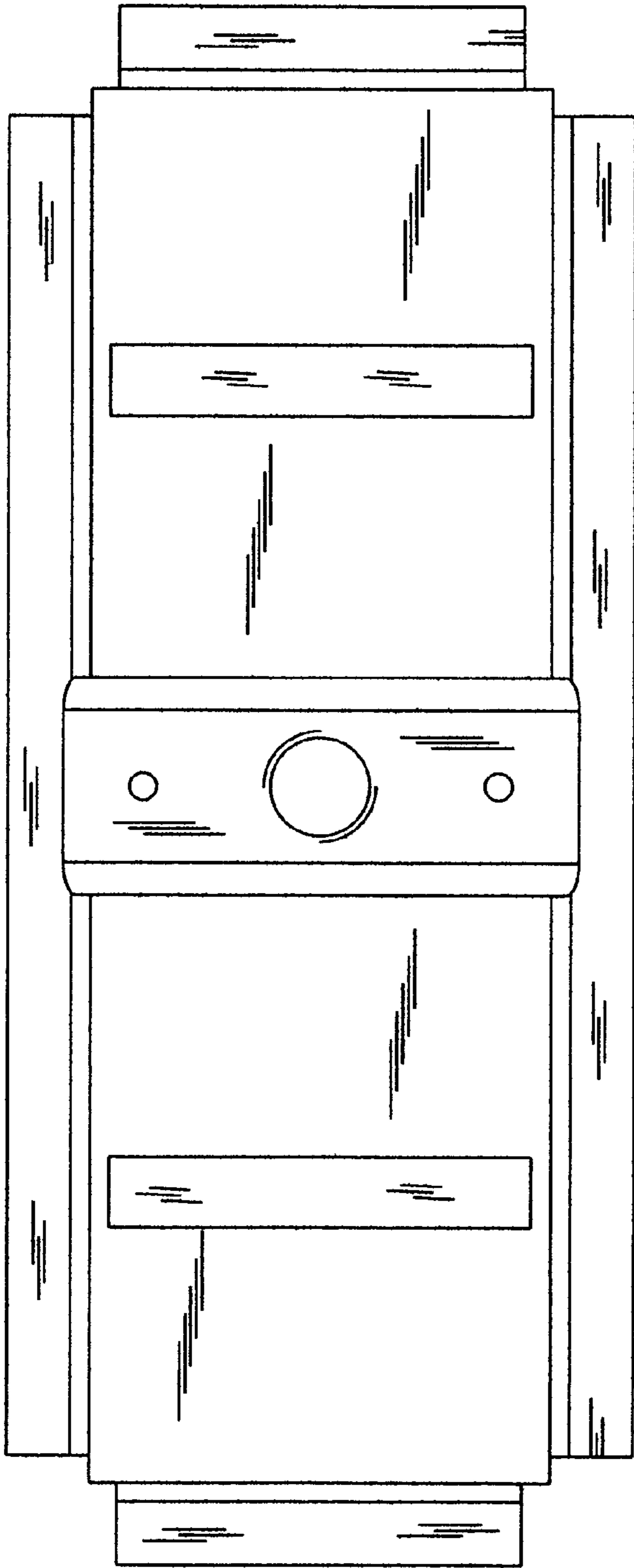


FIG. 2

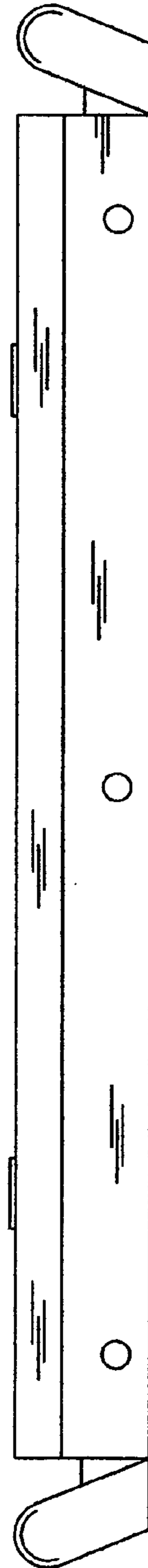


FIG. 3

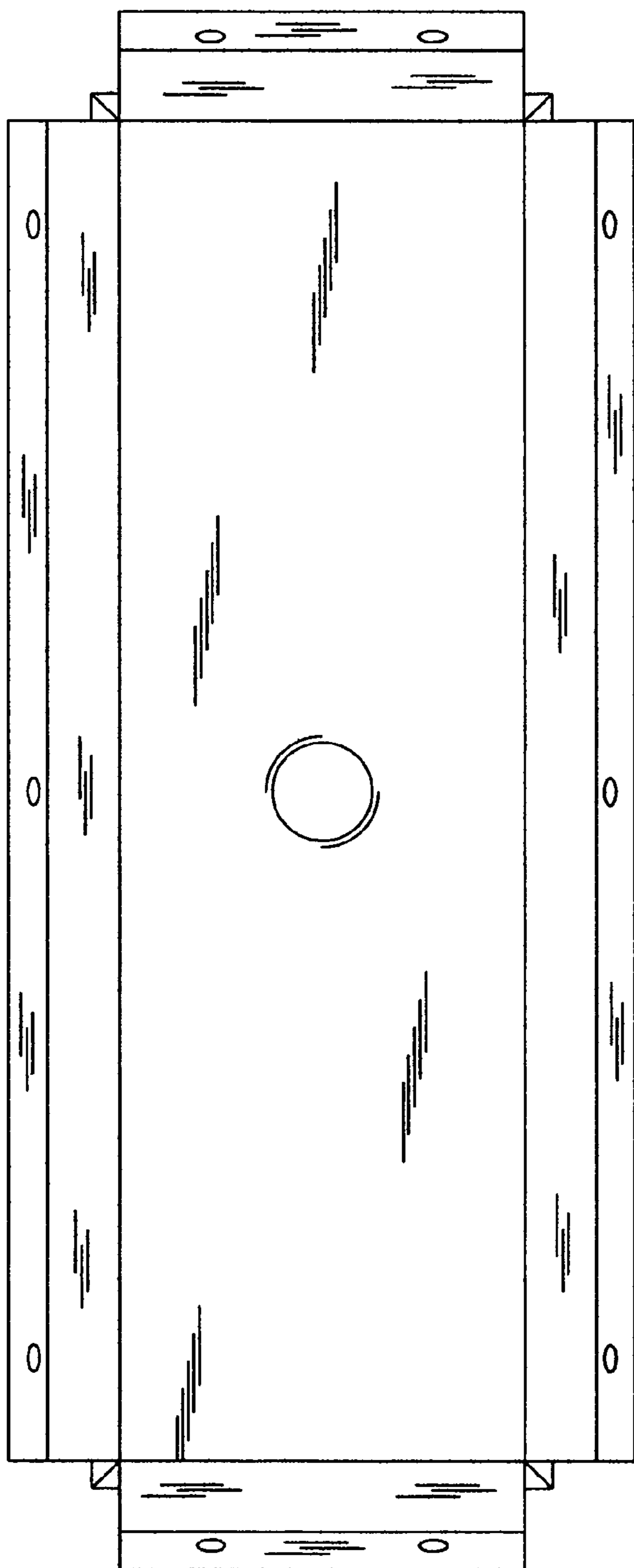


FIG. 4

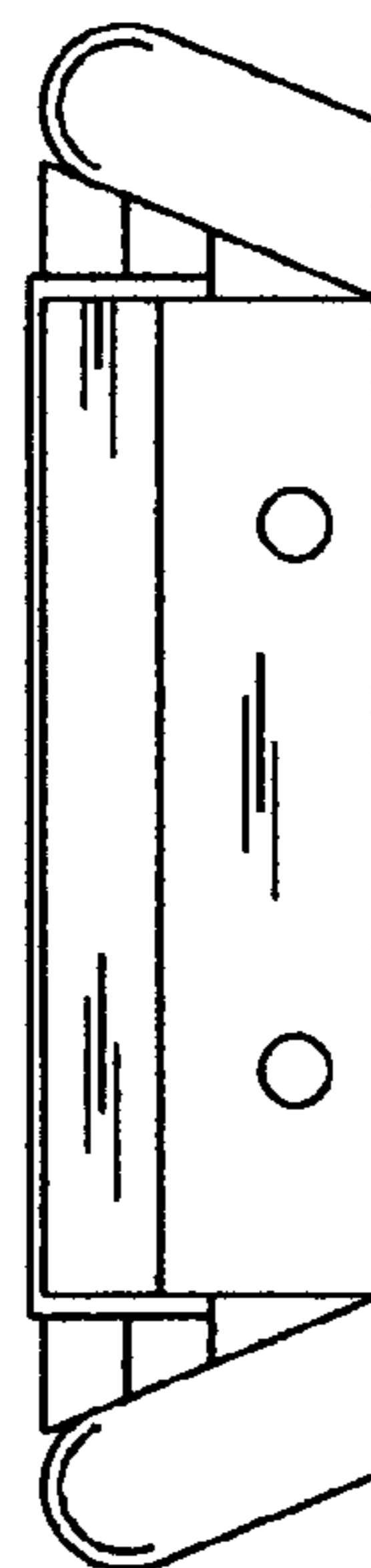


FIG. 5