



US00D655461S

(12) **United States Design Patent**
Ragonetti

(10) **Patent No.:** **US D655,461 S**

(45) **Date of Patent:** **** Mar. 6, 2012**

(54) **BIRD TOY**

(75) Inventor: **Peter Ragonetti**, Brooklyn, NY (US)

(73) Assignee: **J.W. Pet Company, Inc.**, Teterboro, NJ (US)

(**) Term: **14 Years**

(21) Appl. No.: **29/378,832**

(22) Filed: **Nov. 10, 2010**

(51) **LOC (9) Cl.** **30-02**

(52) **U.S. Cl.** **D30/119**

(58) **Field of Classification Search** D30/160,
D30/199, 119; 119/702, 707-711; D21/465,
D21/467, 785-786

See application file for complete search history.

6,378,463 B1 *	4/2002	Simmons	119/707
D478,195 S *	8/2003	McGinty	D30/160
D553,807 S *	10/2007	Rutherford	D30/160
D554,298 S *	10/2007	Woltmann et al.	D30/119
D554,299 S *	10/2007	Ragonetti et al.	D30/119
D559,475 S *	1/2008	Bonner	D30/160
D610,656 S *	2/2010	Terrell	D23/278
D627,934 S *	11/2010	Willinger et al.	D30/119
D634,081 S *	3/2011	Rutherford	D30/160
2007/0261644 A1 *	11/2007	Simon	119/707
2009/0050073 A1 *	2/2009	Simon	119/708

* cited by examiner

Primary Examiner — Cathy A MacCormac

(74) *Attorney, Agent, or Firm* — Katten Muchin Rosenman LLP

(57) **CLAIM**

The ornamental designs for a bird toy, as shown and described.

DESCRIPTION

FIG. 1 is a perspective view of the bird toy;

FIG. 2 is a front view thereof;

FIG. 3 is a rear view thereof;

FIG. 4 is a left-side view thereof;

FIG. 5 is a right-side view thereof;

FIG. 6 is a top view thereof; and,

FIG. 7 is a bottom view thereof.

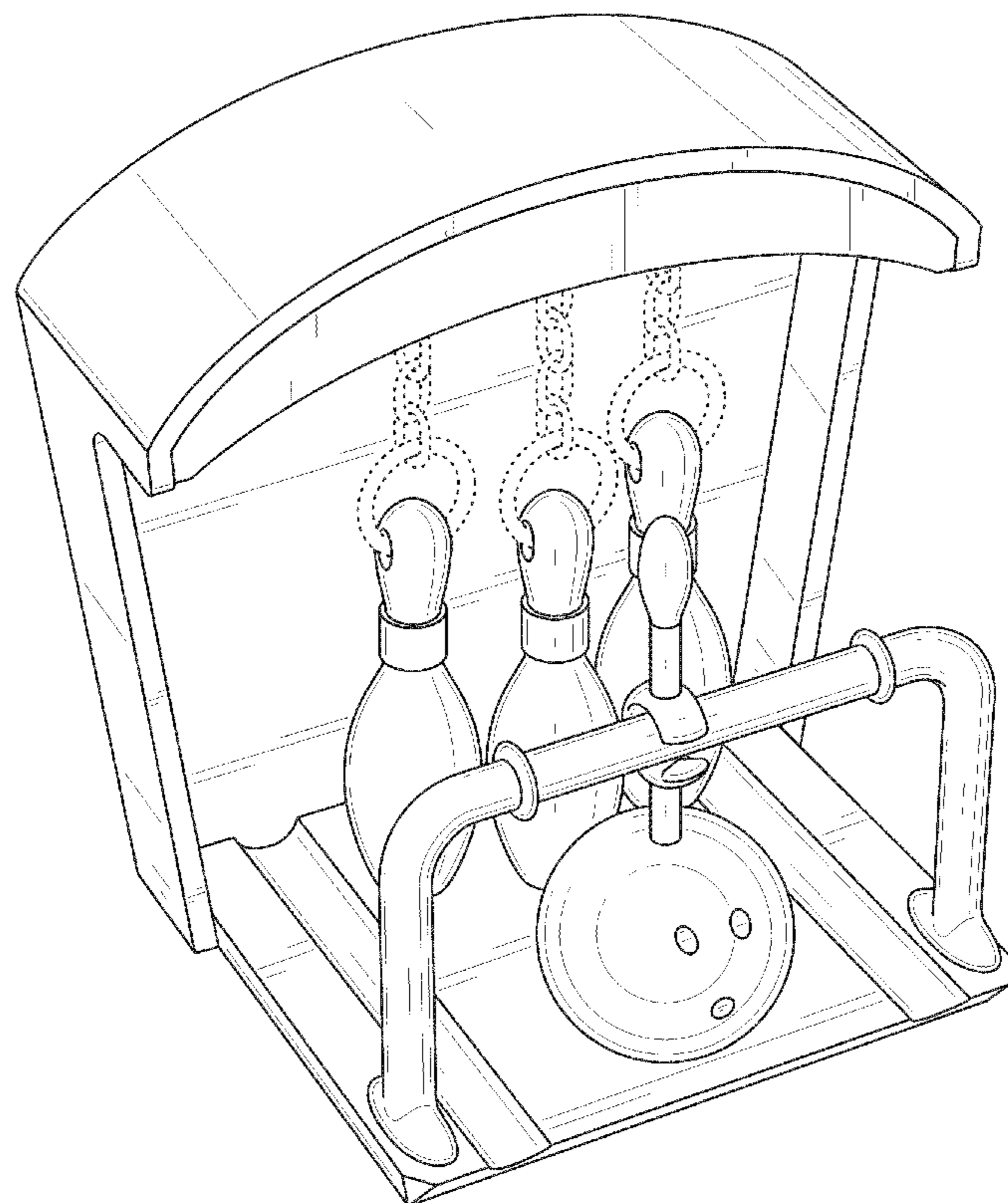
The portions of the designs that are shown in broken lines do not form part of the claimed design.

1 Claim, 7 Drawing Sheets

(56) **References Cited**

U.S. PATENT DOCUMENTS

D153,272 S *	4/1949	Forner	D30/119
D233,770 S *	11/1974	Clark et al.	D30/160
3,876,080 A *	4/1975	Hultberg et al.	211/105.5
4,188,745 A *	2/1980	Harvey et al.	446/227
4,627,588 A *	12/1986	Block	248/163.2
D337,393 S *	7/1993	Weldy	D30/119
D391,307 S *	2/1998	Kuo	D21/465
5,901,667 A *	5/1999	Kallas	119/712
D423,738 S *	4/2000	Carlson	D30/160
6,117,054 A *	9/2000	Soltanpour	482/83



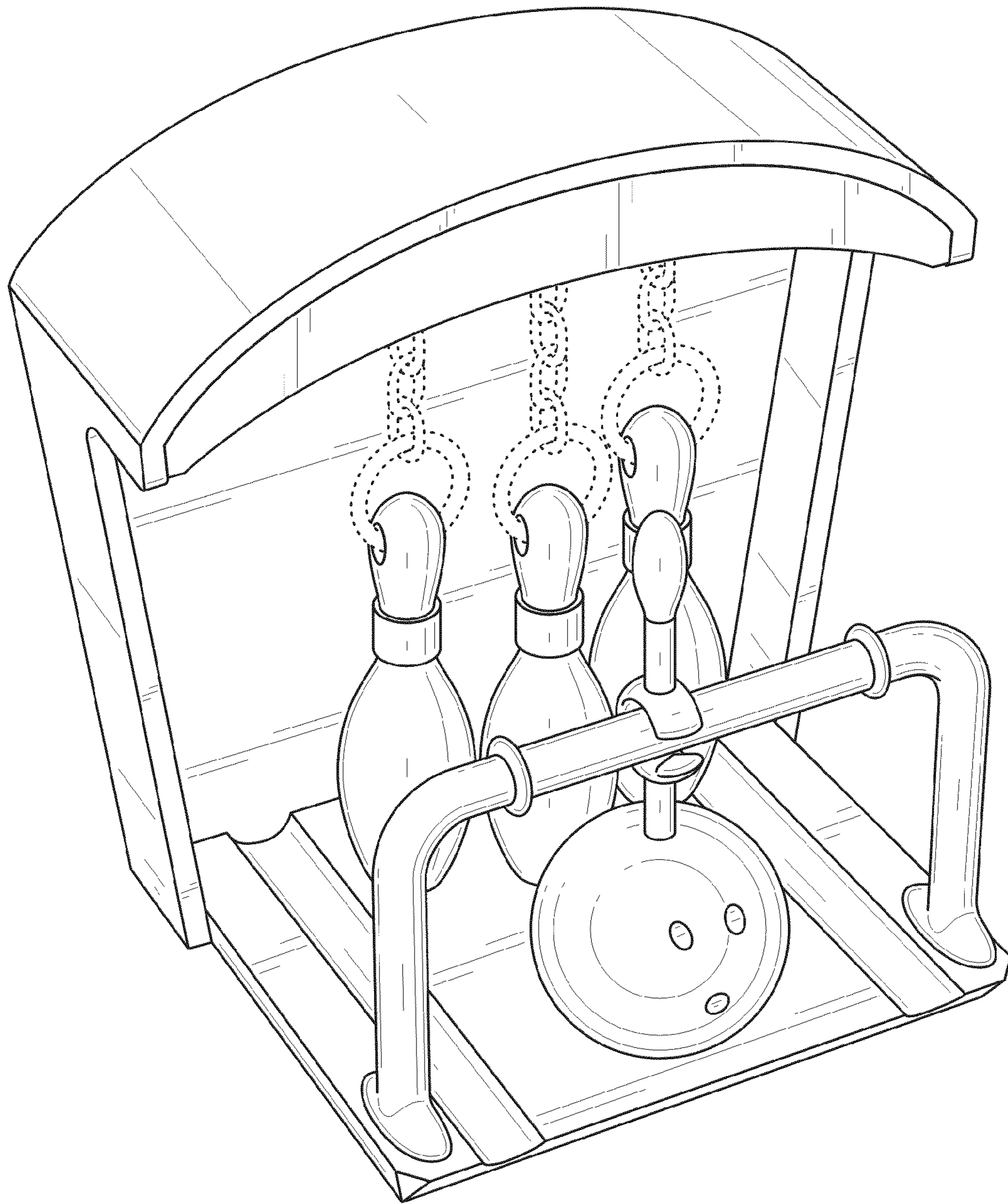


FIG. 1

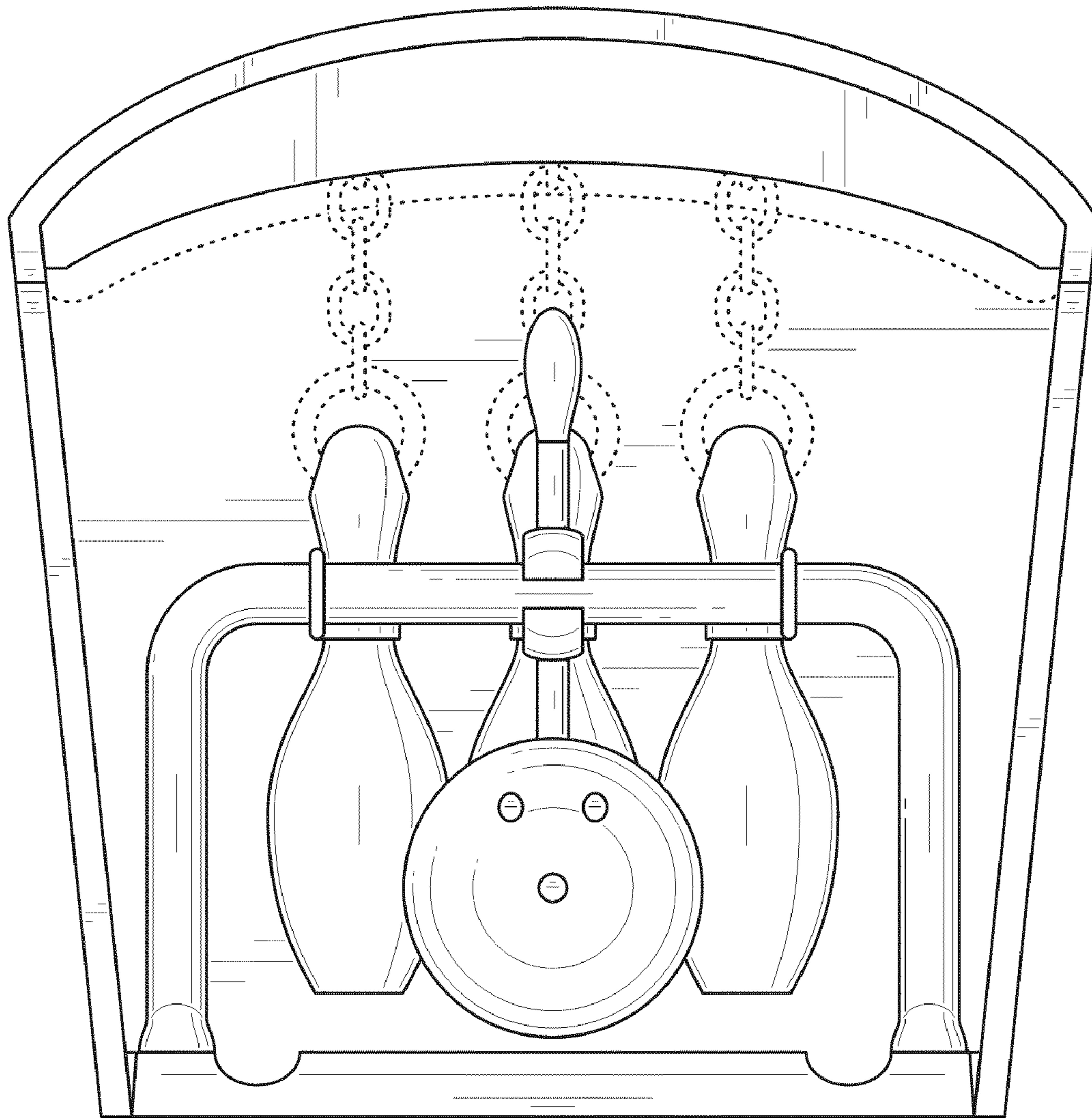


FIG. 2

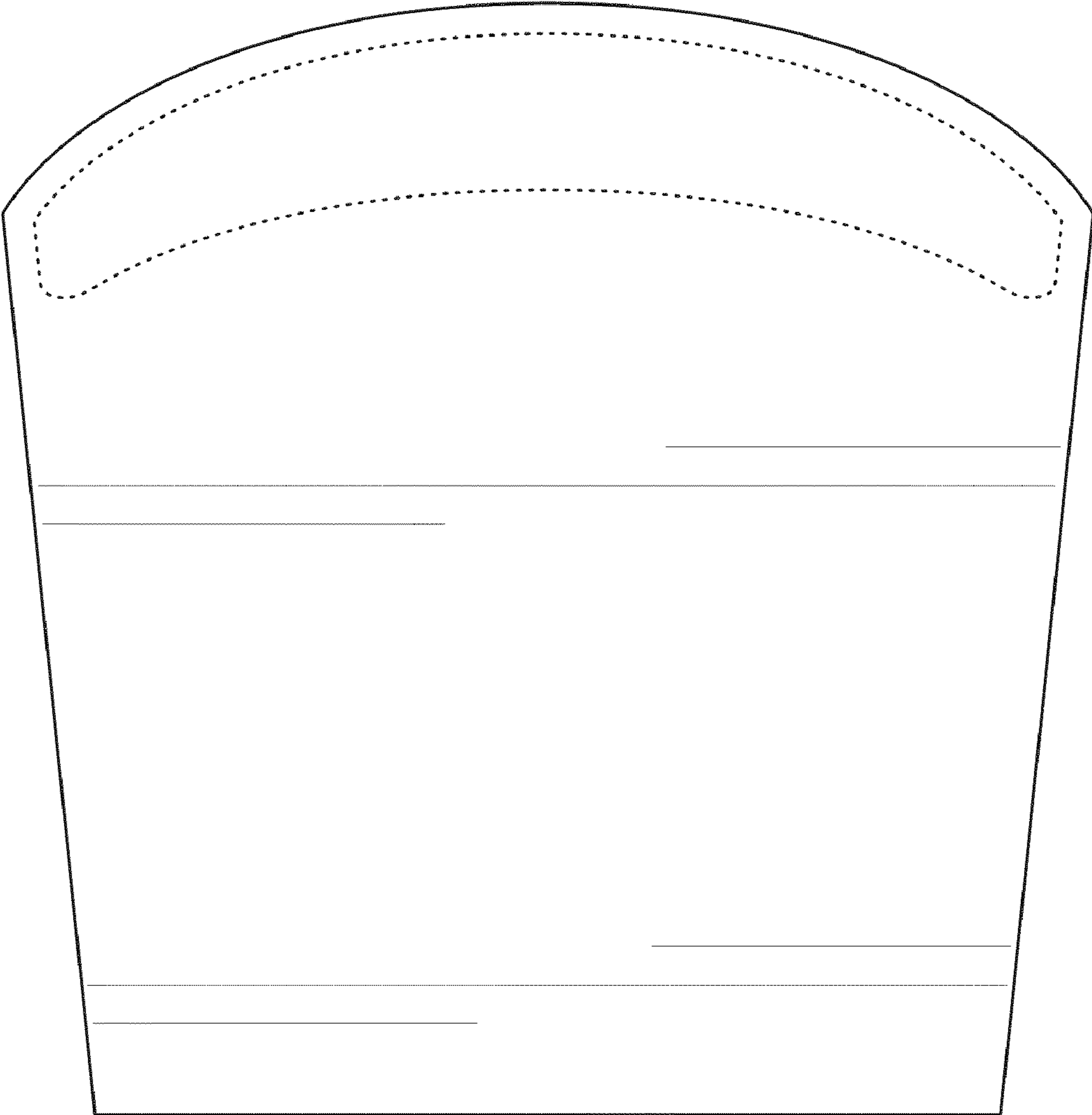


FIG. 3

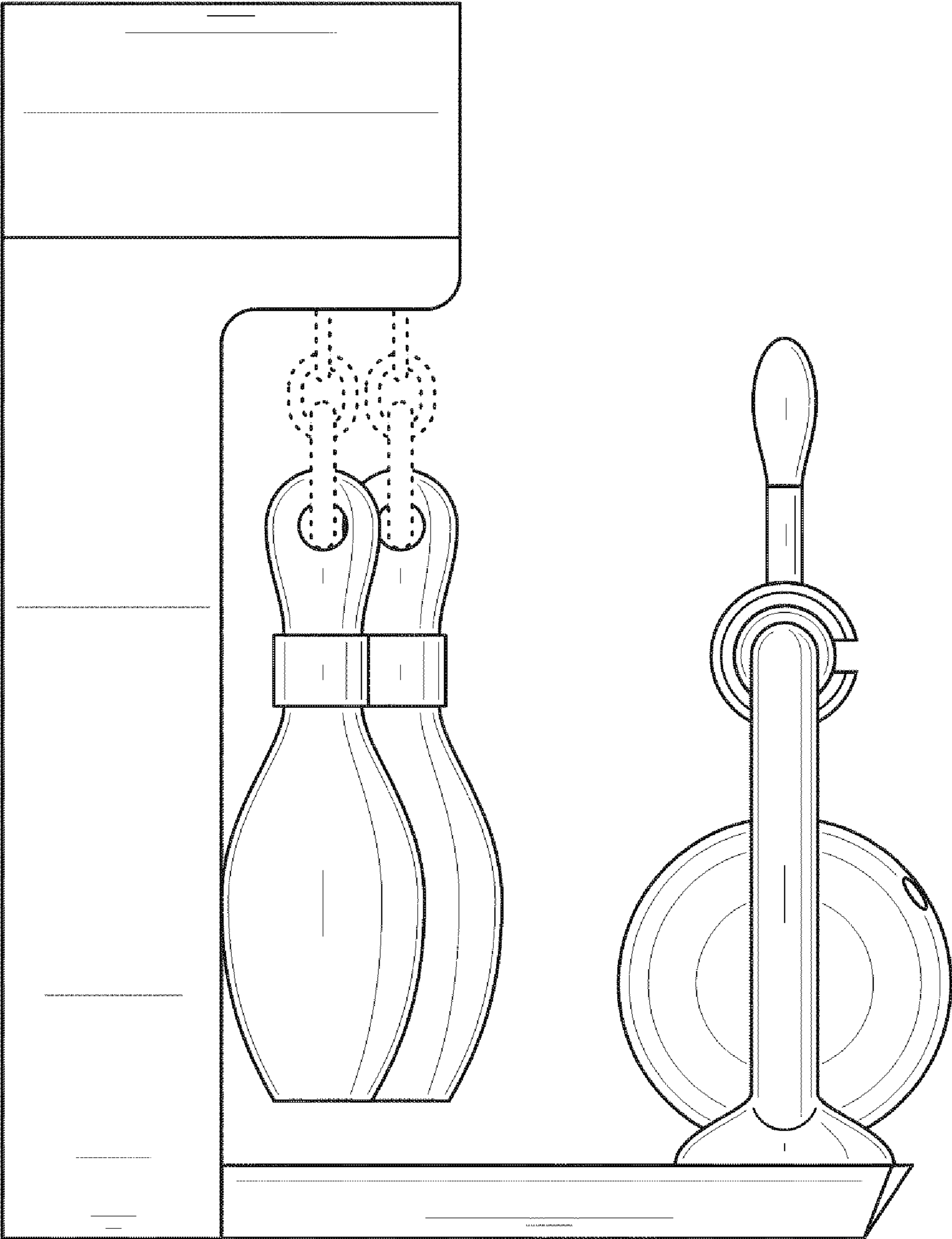


FIG. 4

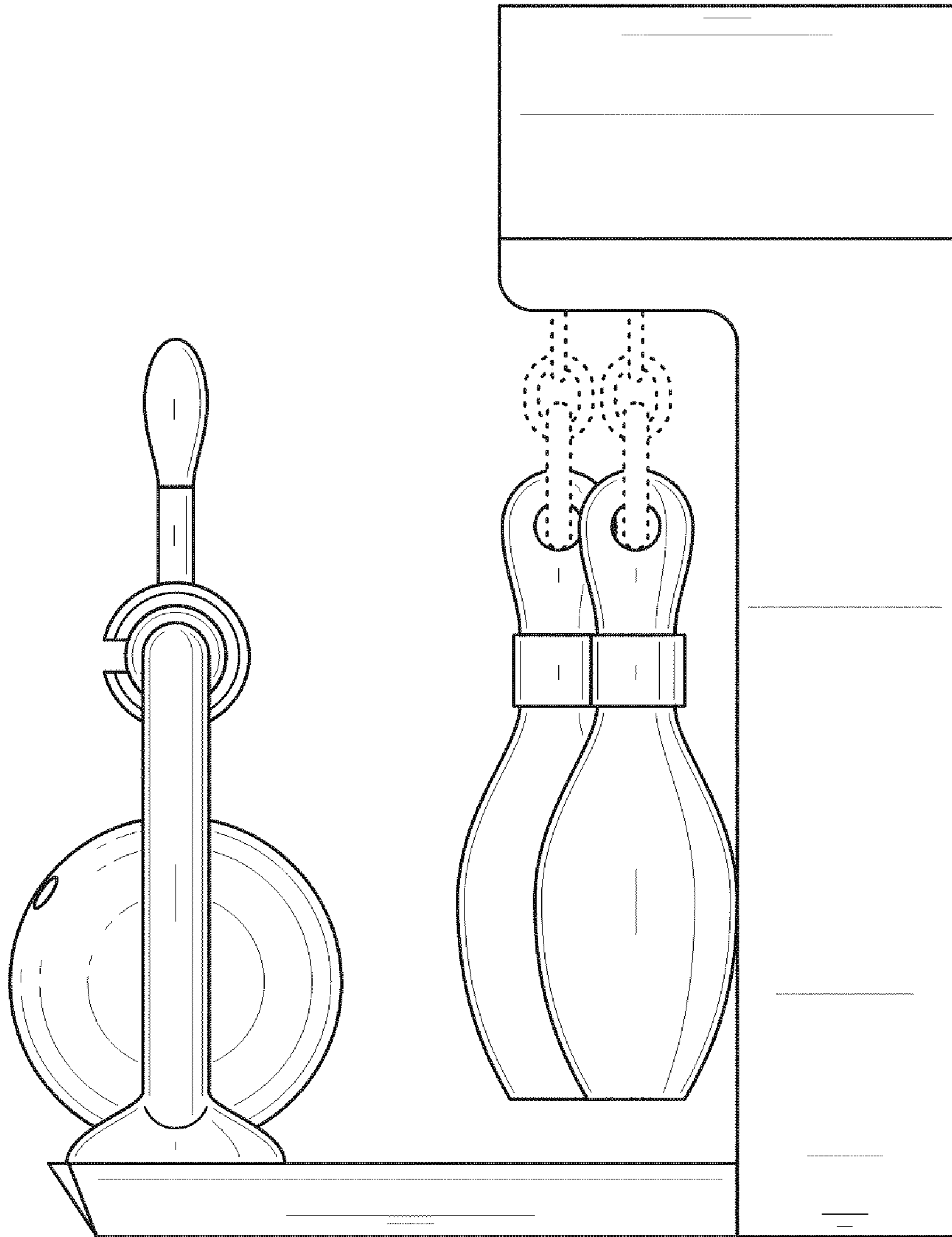


FIG. 5

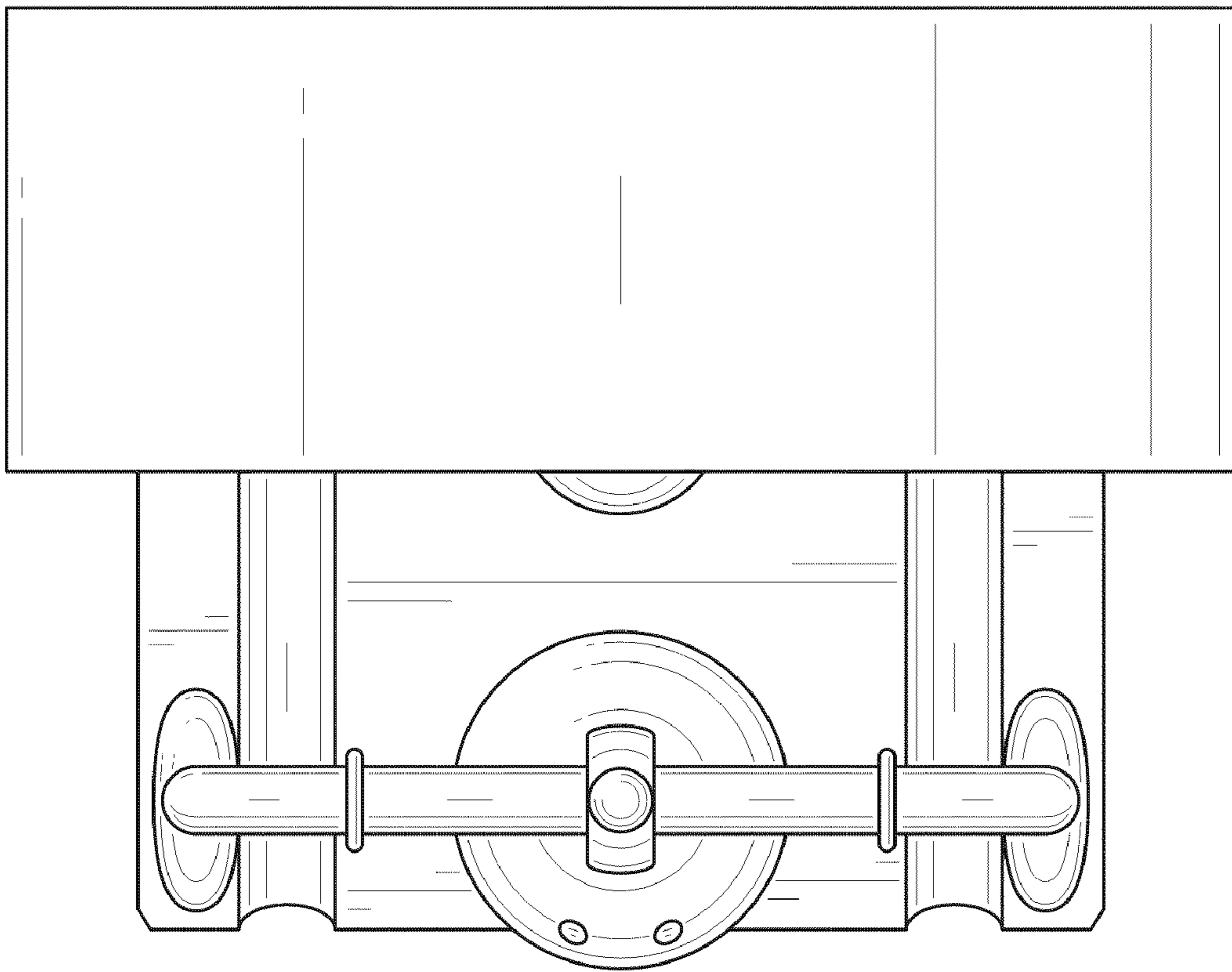


FIG. 6

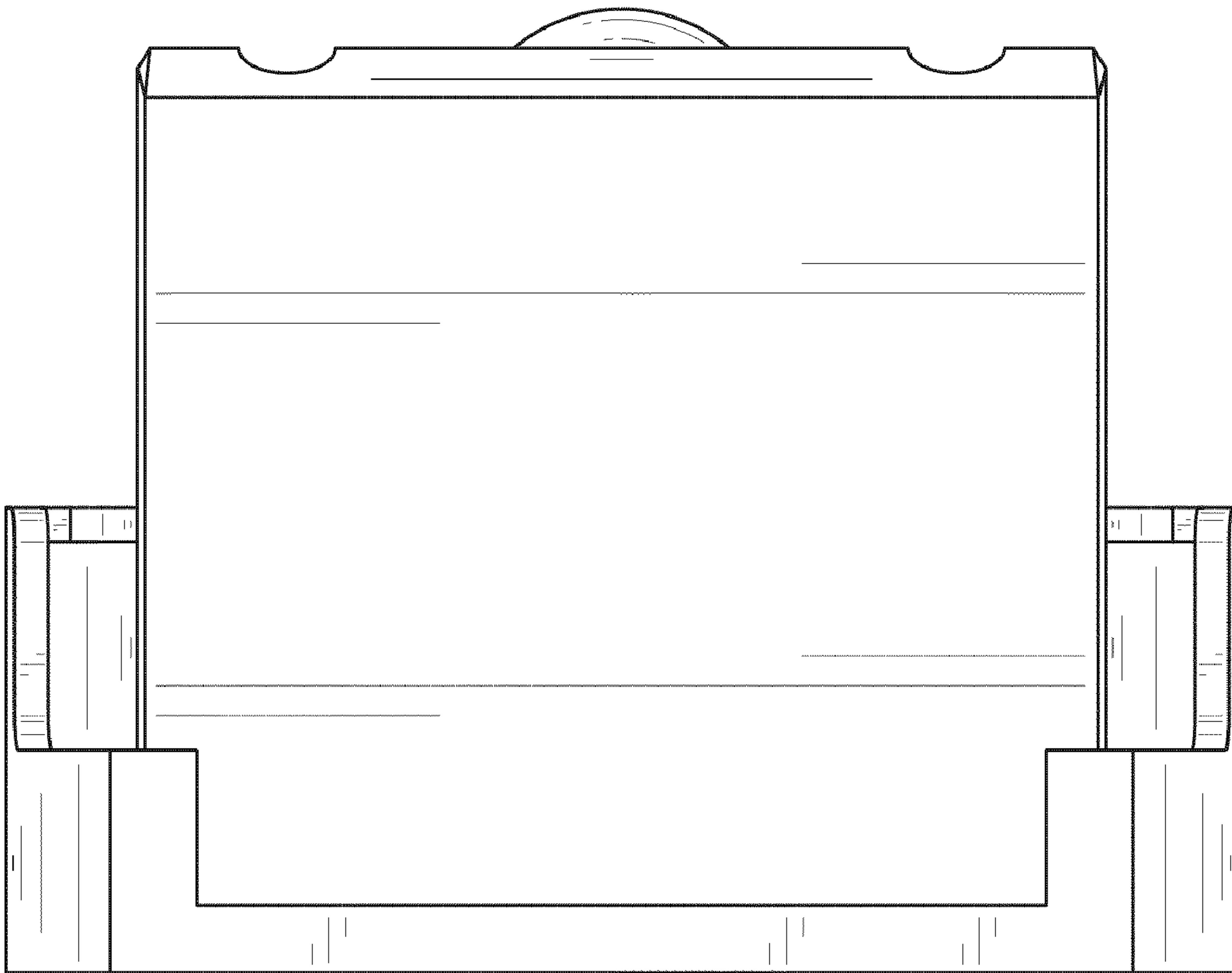


FIG. 7