



US00D655460S

(12) **United States Design Patent**
Stevenson

(10) **Patent No.:** **US D655,460 S**

(45) **Date of Patent:** **** Mar. 6, 2012**

(54) **AQUARIUM**

(75) Inventor: **Paul Stevenson**, North Walsham (GB)

(73) Assignee: **Reef One Limited**, Norwich, Norfolk (GB)

(**) Term: **14 Years**

(21) Appl. No.: **29/371,032**

(22) Filed: **Sep. 22, 2010**

(30) **Foreign Application Priority Data**

Jun. 17, 2010 (EM) 001720848-0001

Jun. 17, 2010 (EM) 001720848-0002

(51) **LOC (9) Cl.** **30-02**

(52) **U.S. Cl.** **D30/101**

(58) **Field of Classification Search** D30/101-107;
D11/155, 157; D7/553.2, 554.1, 554.3; D19/75,
D19/78; 47/65.5, 67, 40, 69; 119/245-247,
119/253-254, 258, 269; D14/251; 428/13
See application file for complete search history.

(56) **References Cited**

U.S. PATENT DOCUMENTS

3,651,975 A * 3/1972 Callan 220/4.29
3,721,366 A * 3/1973 Battershall et al. 119/269
D236,633 S * 9/1975 Shalom D30/101
4,176,620 A * 12/1979 Kassos 119/246
D361,166 S * 8/1995 Tsuchiya D30/101

D361,168 S * 8/1995 Ichikawa D30/101
D361,171 S * 8/1995 Ichikawa D30/101
D361,871 S * 8/1995 Ichikawa D30/101
D397,520 S * 8/1998 Ichikawa D30/101
D397,522 S * 8/1998 Bishop D30/101
5,822,919 A * 10/1998 Griffeth 47/65.5
6,029,605 A * 2/2000 Licata 119/246
6,618,989 B2 * 9/2003 Hirose 119/246
6,761,133 B1 * 7/2004 Gearhart 119/269
D636,132 S * 4/2011 Bagnall D30/101
8,025,031 B1 * 9/2011 Fox 119/245
2006/0174840 A1 * 8/2006 Rafailovich 119/264

OTHER PUBLICATIONS

Google Image Result. 1 page. Viewed Oct. 5, 2011. [Http://www.google.com](http://www.google.com).*

* cited by examiner

Primary Examiner — Wan Laymon

(74) *Attorney, Agent, or Firm* — Nixon & Vanderhye P.C.

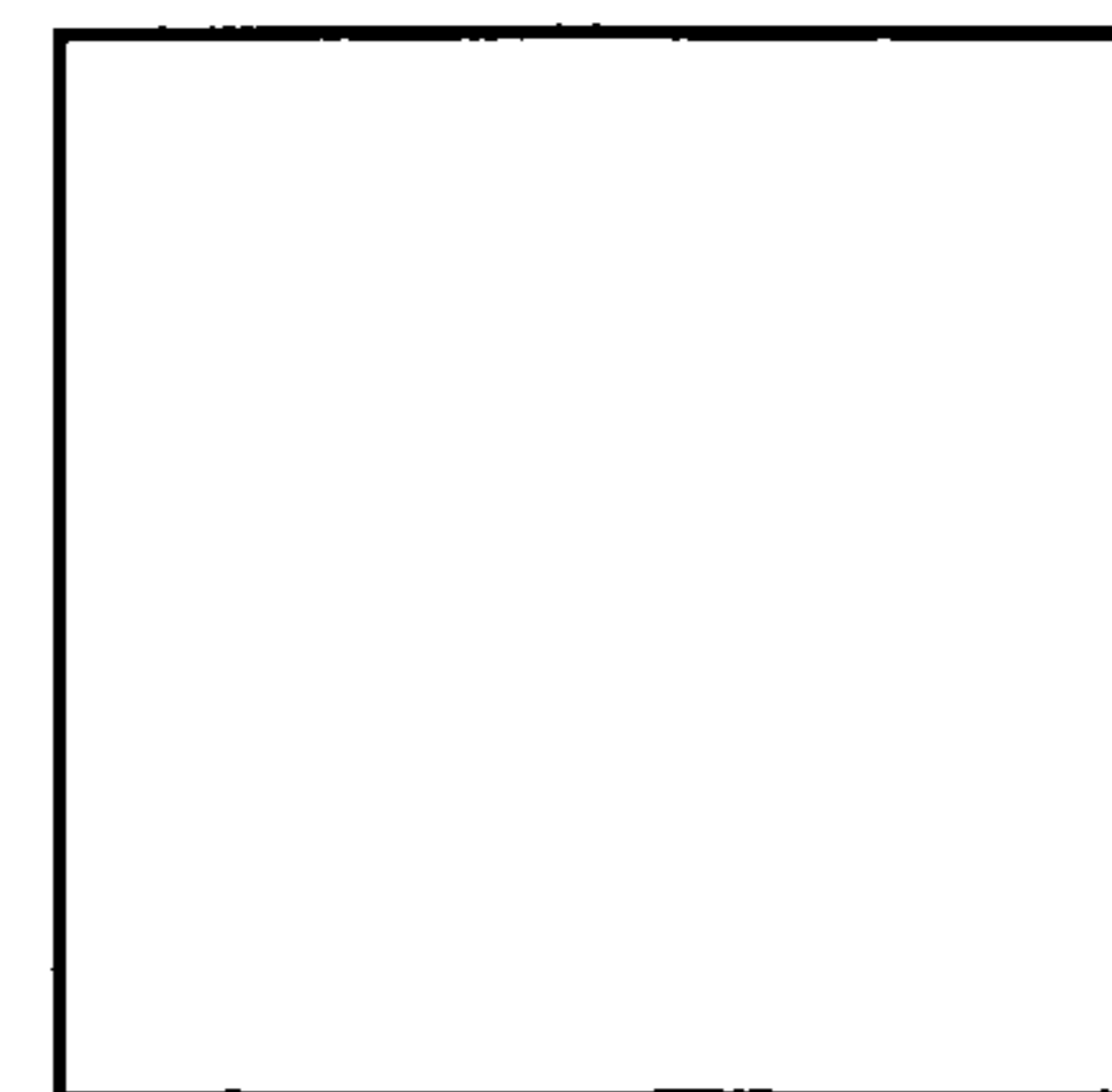
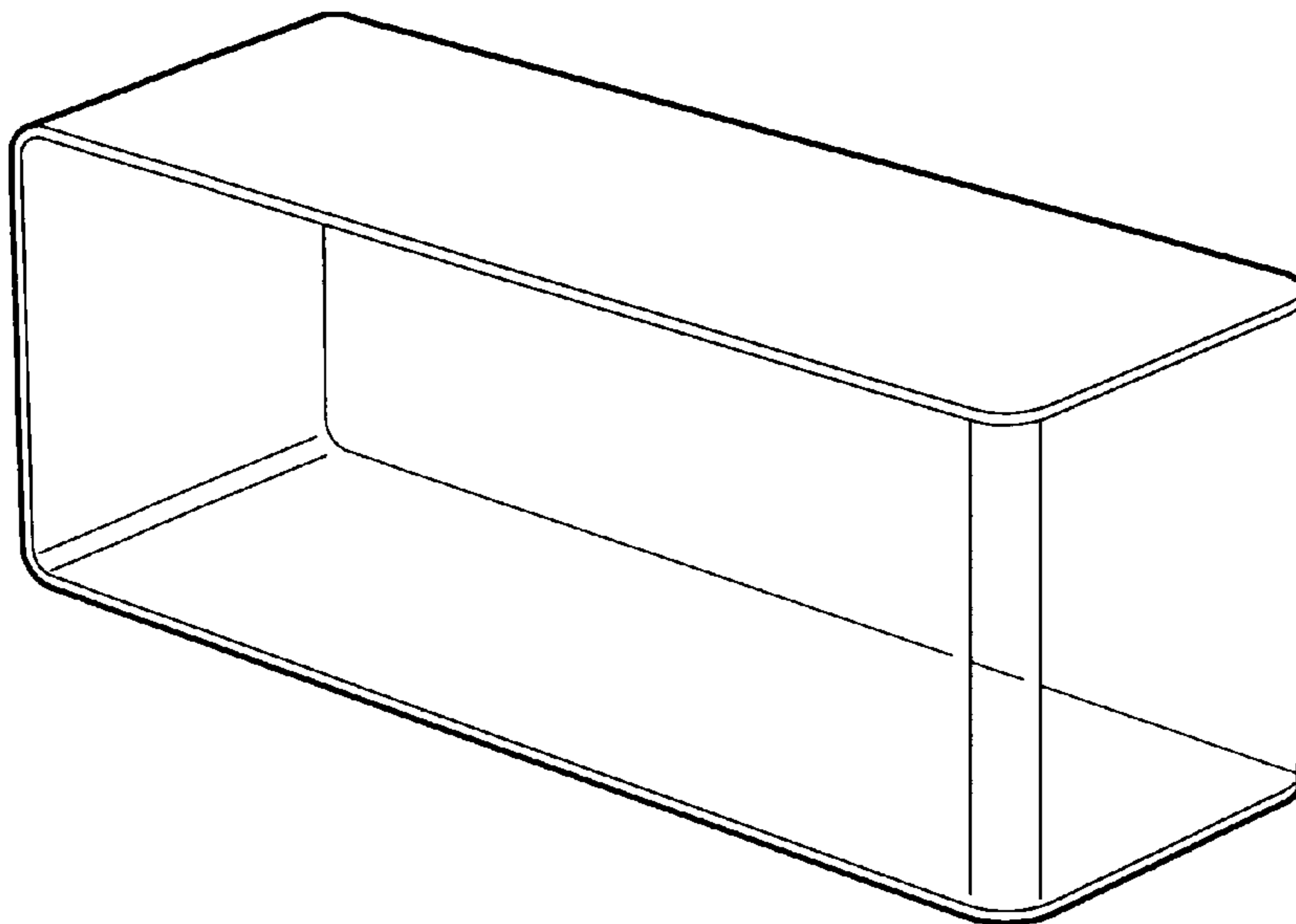
(57) **CLAIM**

The ornamental design for an aquarium, as shown and described.

DESCRIPTION

FIG. 1 is a perspective view of an aquarium;
FIG. 2 is a top plan view thereof;
FIG. 3 is a left elevational view thereof;
FIG. 4 is a front elevational view thereof;
FIG. 5 is a right elevational view thereof; and,
FIG. 6 is a bottom plan view thereof.

1 Claim, 2 Drawing Sheets



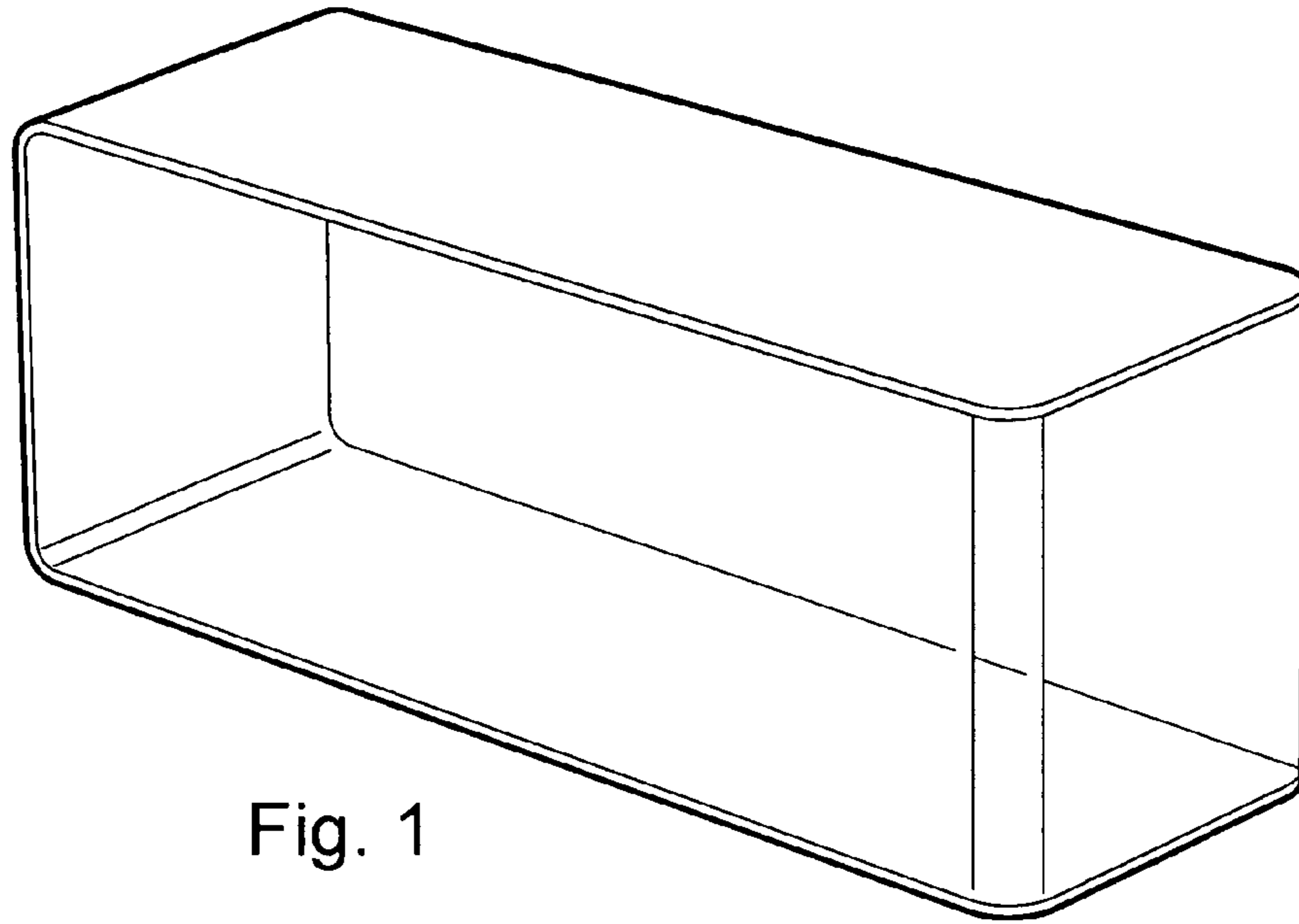


Fig. 1

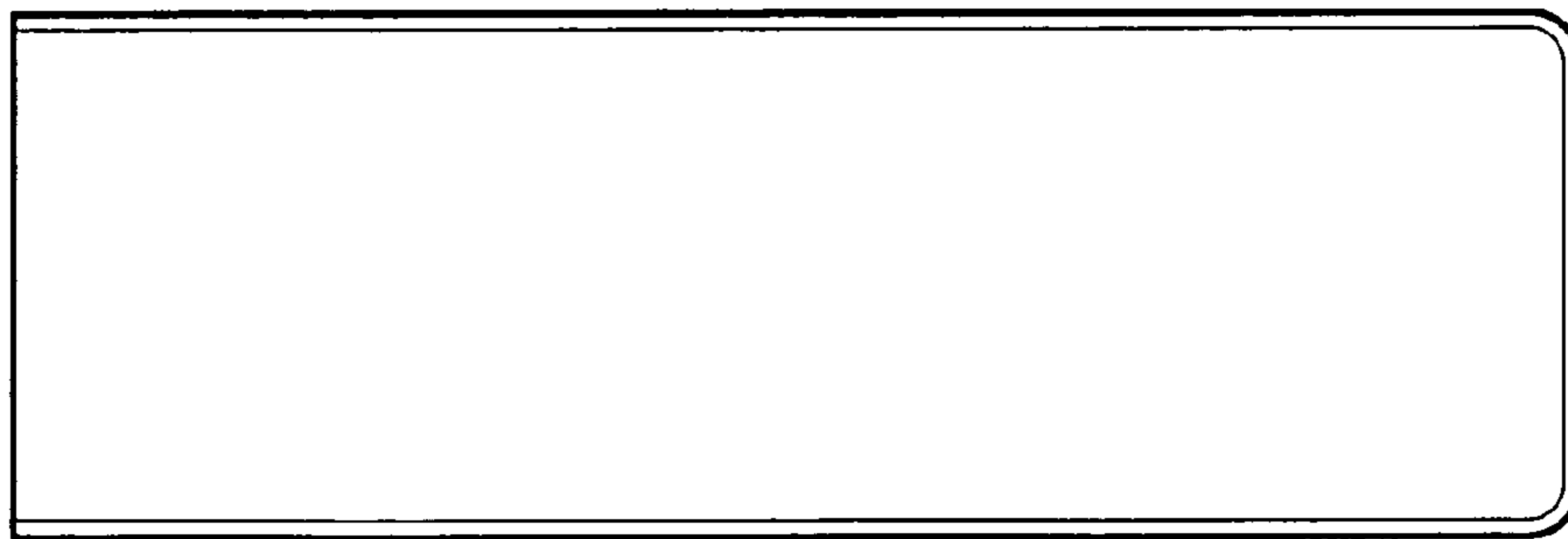


Fig. 2

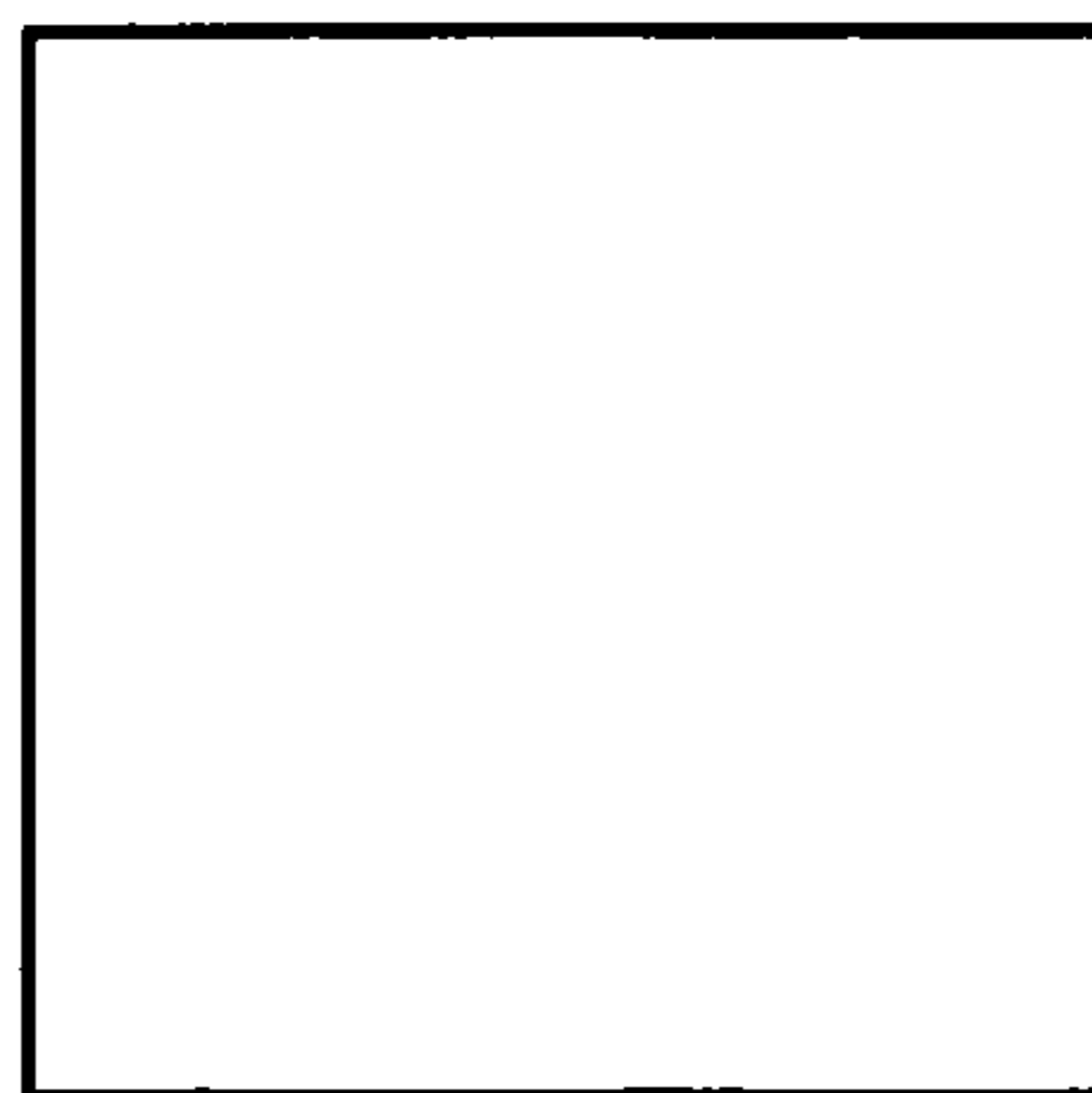


Fig. 3

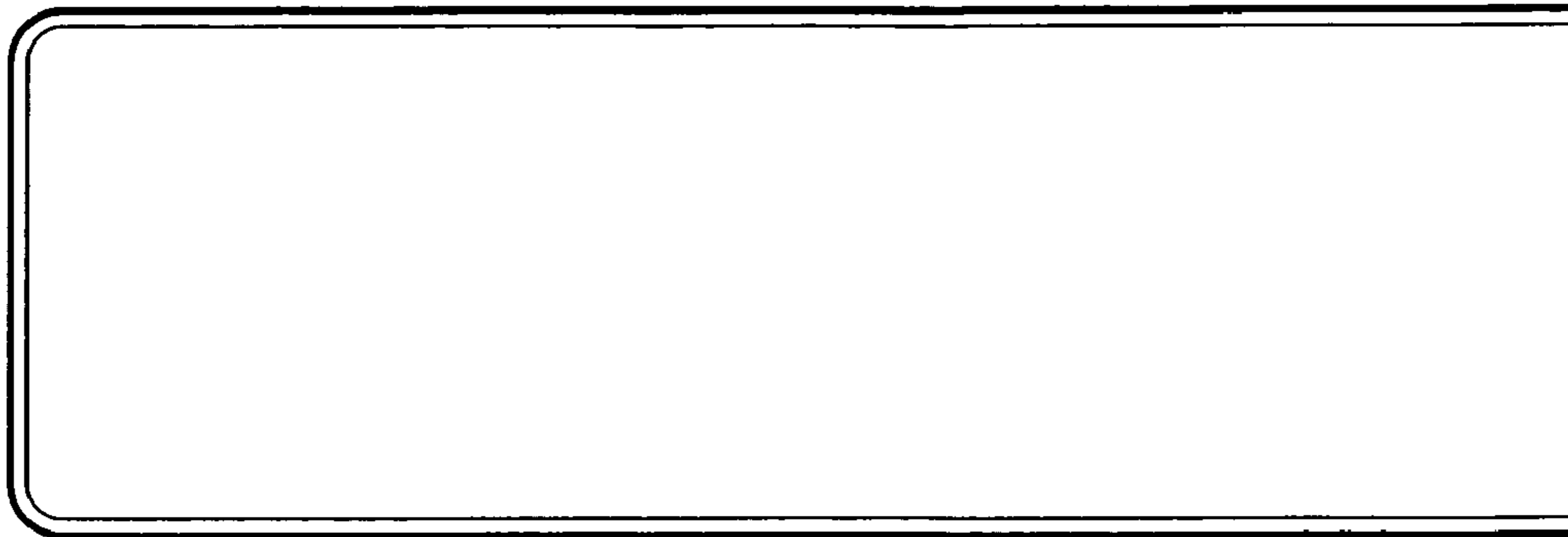


Fig. 4

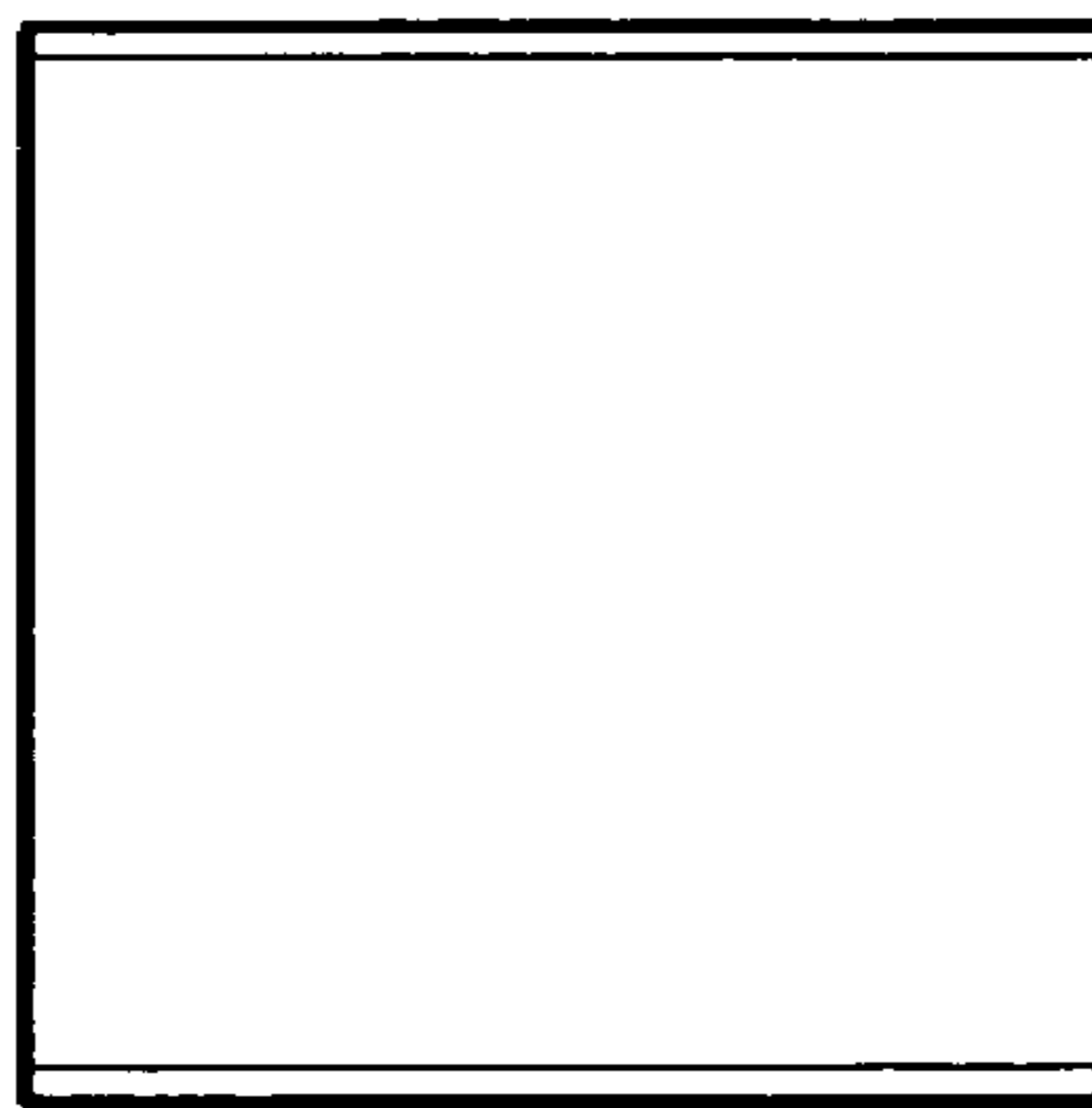


Fig. 5

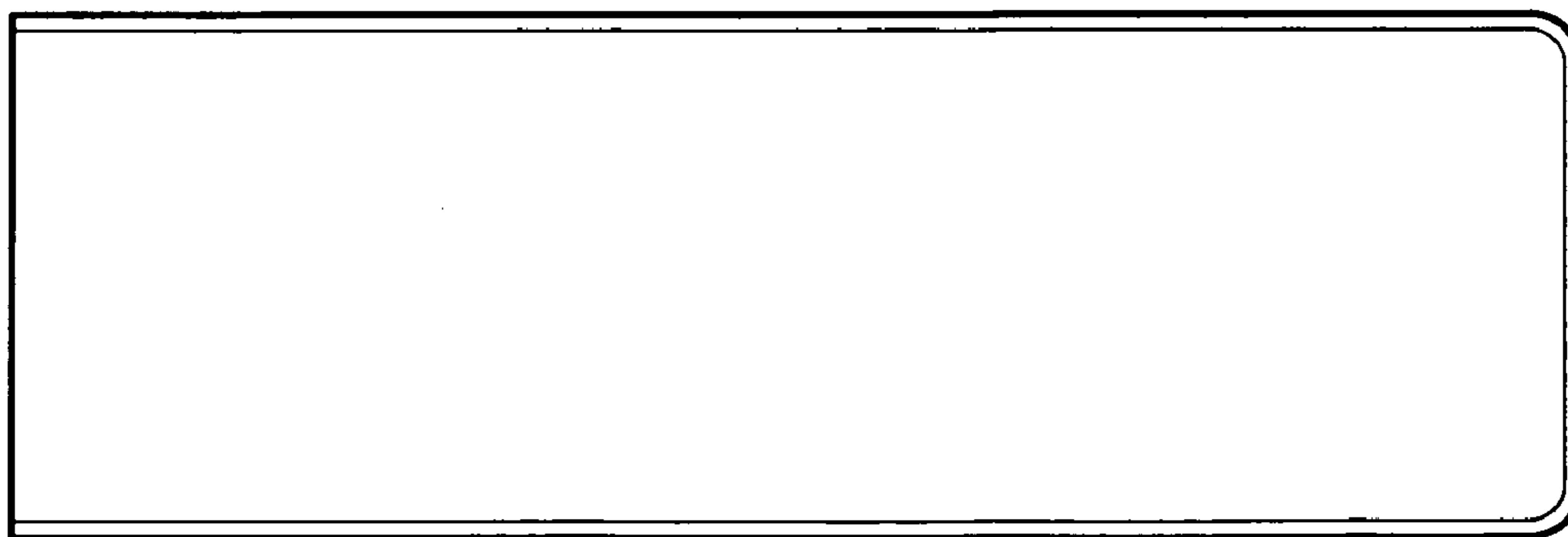


Fig. 6