



US00D655451S

(12) **United States Design Patent**
Grabes et al.

(10) **Patent No.:** **US D655,451 S**
(45) **Date of Patent:** **** Mar. 6, 2012**

(54) **COMBINED HAIR TRIMMER AND RAZOR**

(75) Inventors: **Oliver Grabes**, Frankfurt (DE); **Gregor Ptok**, Frankfurt (DE); **Renke Joris Thye**, Westerstede (DE); **Phong Duy Vu**, Schwalbach (DE); **Benjamin John Wilson**, Frankfurt (DE)

(73) Assignee: **The Procter & Gamble Company**, Cincinnati, OH (US)

(**) Term: **14 Years**

(21) Appl. No.: **29/391,521**

(22) Filed: **May 10, 2011**

(30) **Foreign Application Priority Data**

Nov. 10, 2010 (WO) 572768201

(51) **LOC (9) Cl.** **28-03**

(52) **U.S. Cl.** **D28/53**

(58) **Field of Classification Search** 30/32, 34.05, 30/34.1-34.2, 30-31, 43-43.92, 44-45, 47-51, 30/77-84, 526-541, 346.5-346.61, 194-196, 30/198-205, 208-216, 233-233.5; D28/44-44.1, D28/45-54

See application file for complete search history.

(56) **References Cited**

U.S. PATENT DOCUMENTS

D516,748 S * 3/2006 Kling D28/51
D518,235 S * 3/2006 Ullmann et al. D28/51
D521,188 S * 5/2006 Ullmann et al. D28/49
D522,176 S * 5/2006 Ullmann et al. D28/51
D571,954 S * 6/2008 Kling et al. D28/46

D574,557 S * 8/2008 Kling et al. D28/54
D591,451 S * 4/2009 Micinilio et al. D28/46
D591,907 S * 5/2009 Micinilio et al. D28/54
D600,408 S * 9/2009 Micinilio et al. D28/46
D604,908 S * 11/2009 Kling D28/53
D619,303 S * 7/2010 Aulwes et al. D28/53
D619,304 S * 7/2010 Shen D28/54
D621,096 S * 8/2010 Maguire et al. D28/51
D622,446 S * 8/2010 Hagenauer D28/53
D637,760 S * 5/2011 Tasar D28/53
2006/0168816 A1 * 8/2006 Wetzell et al. 30/43.92
2008/0047145 A1 * 2/2008 Dietzel et al. 30/34.05
2010/0037463 A1 * 2/2010 Maichel et al. 30/34.1
2010/0139097 A1 * 6/2010 Perez-Lopez et al. 30/34.1
2010/0299927 A1 * 12/2010 Fischer et al. 30/34.1
2011/0005082 A1 * 1/2011 Fischer et al. 30/45
2011/0126412 A1 * 6/2011 Perez-Lopez et al. 30/34.1

* cited by examiner

Primary Examiner — Jennifer Rivard

(74) *Attorney, Agent, or Firm* — Brent M. Peebles; Kim William Zerby

(57) **CLAIM**

The ornamental design for a combined hair trimmer and razor, as shown and described above.

DESCRIPTION

FIG. 1 is a perspective view of a combined hair trimmer and razor;

FIG. 2 is a front view thereof;

FIG. 3 is a right side view thereof;

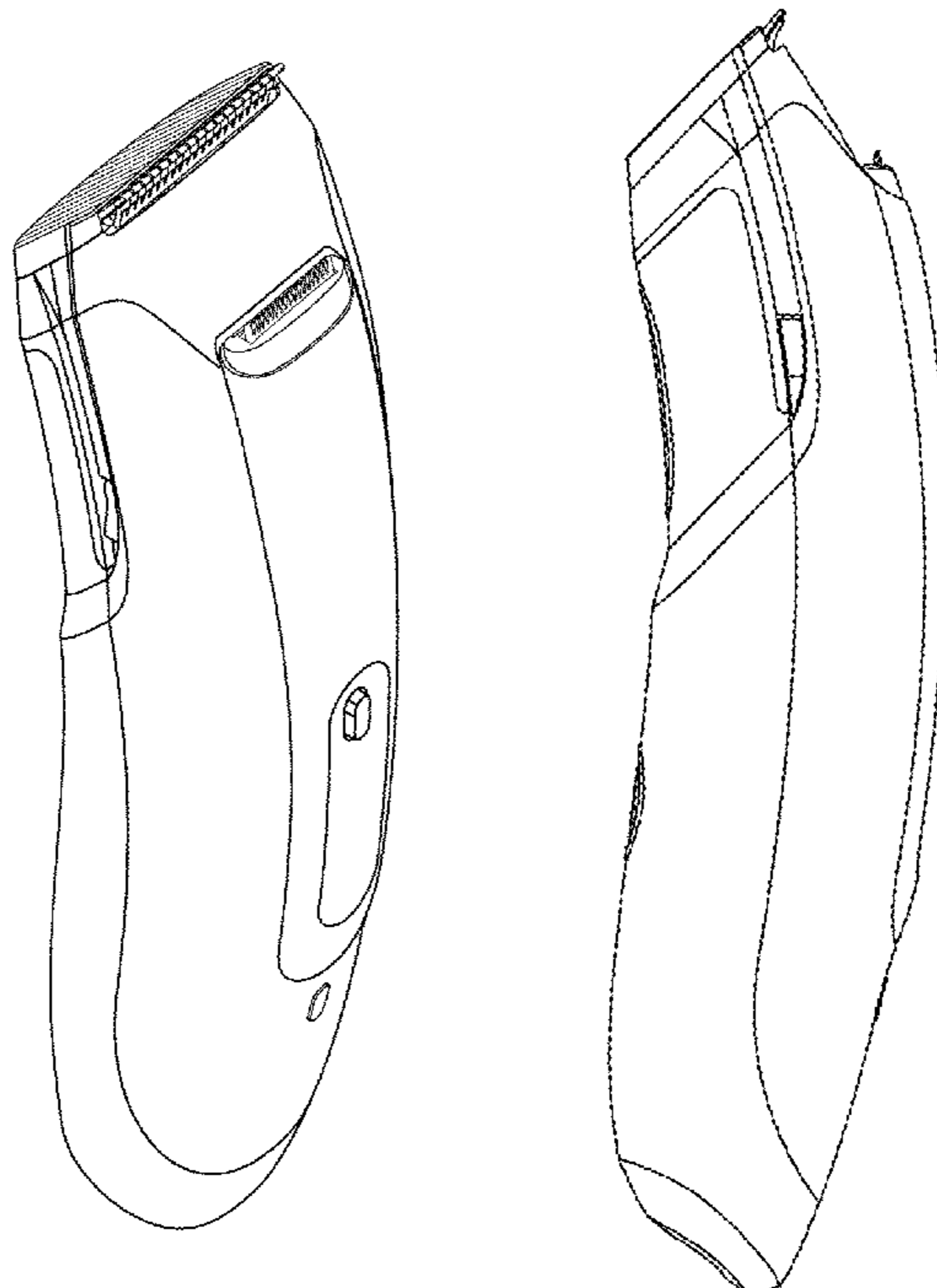
FIG. 4 is a rear view thereof;

FIG. 5 is a left side view thereof;

FIG. 6 is a top plan view thereof; and,

FIG. 7 is a bottom view thereof

1 Claim, 3 Drawing Sheets



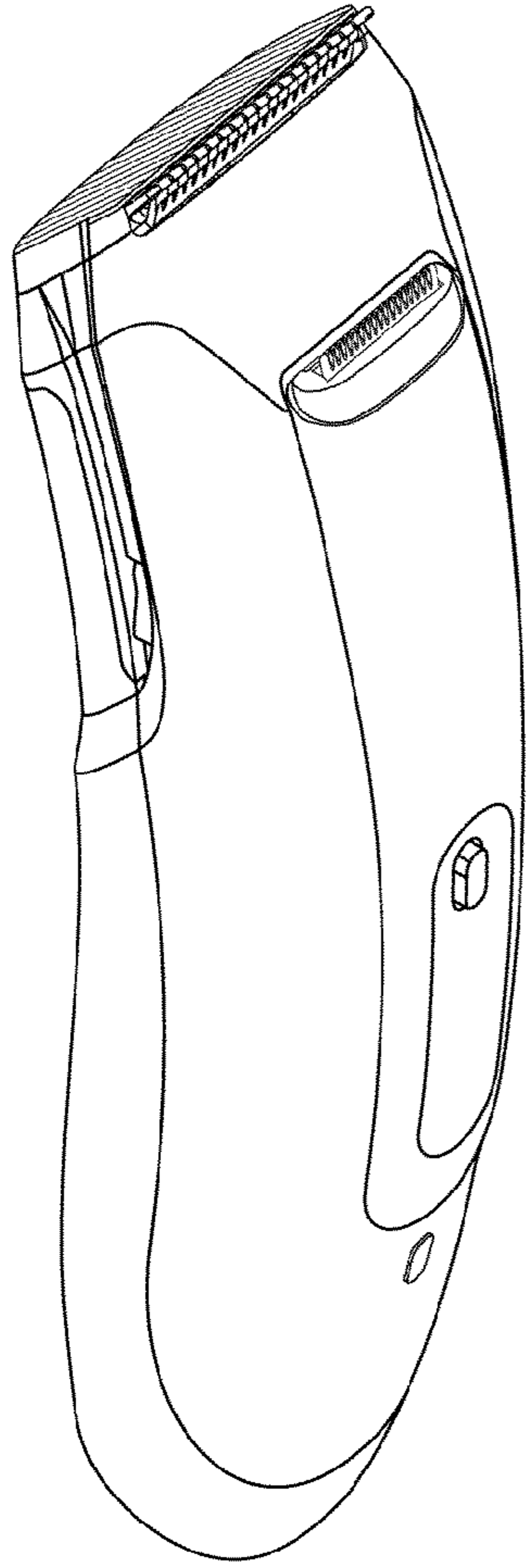


Fig. 1

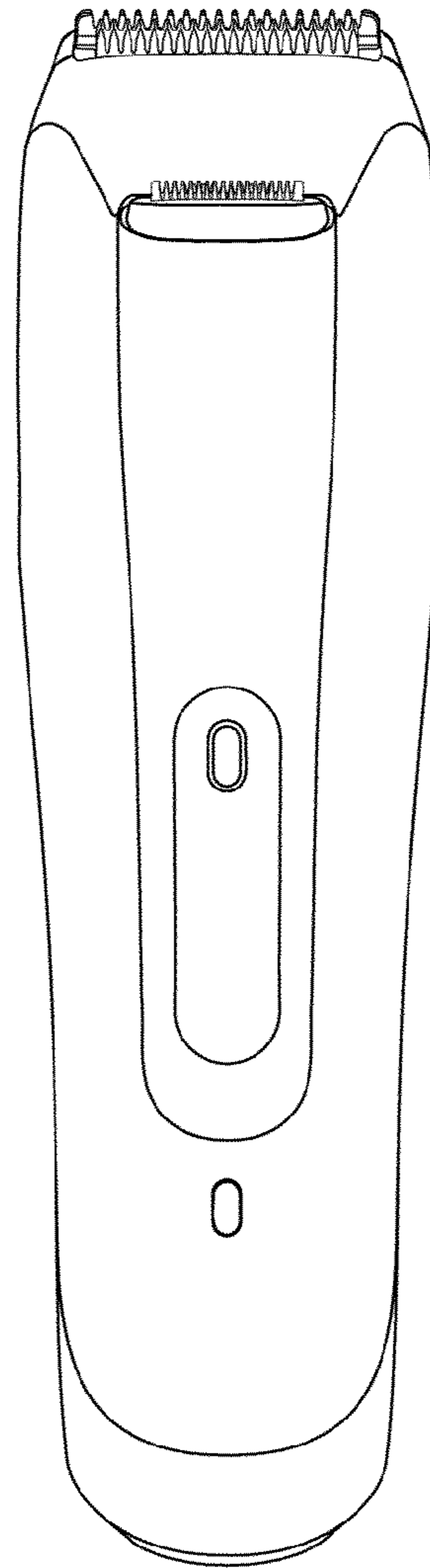


Fig. 2

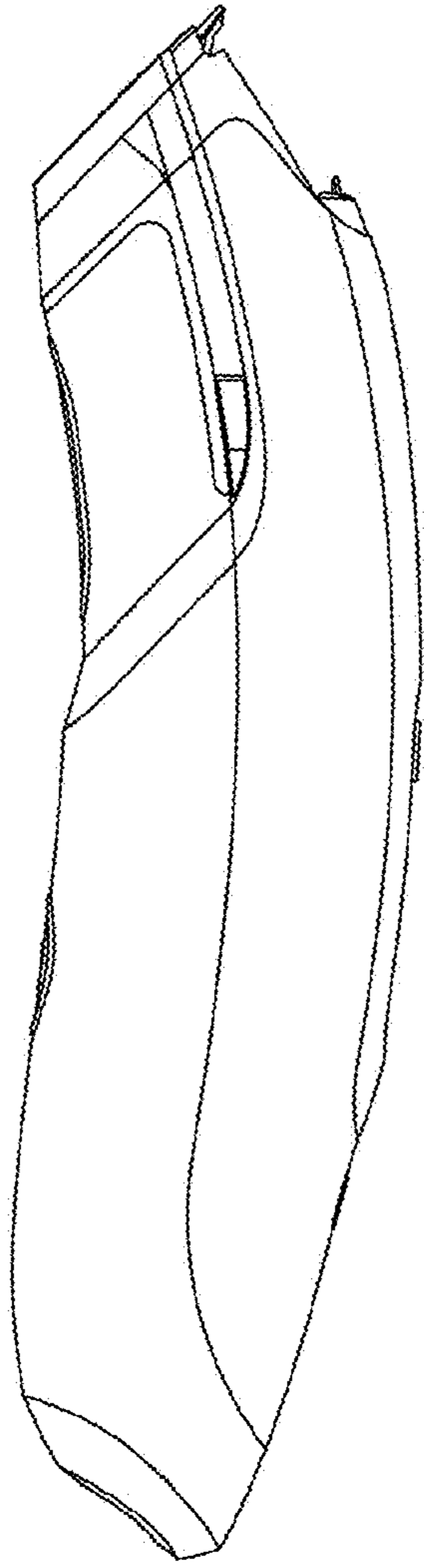


Fig. 3

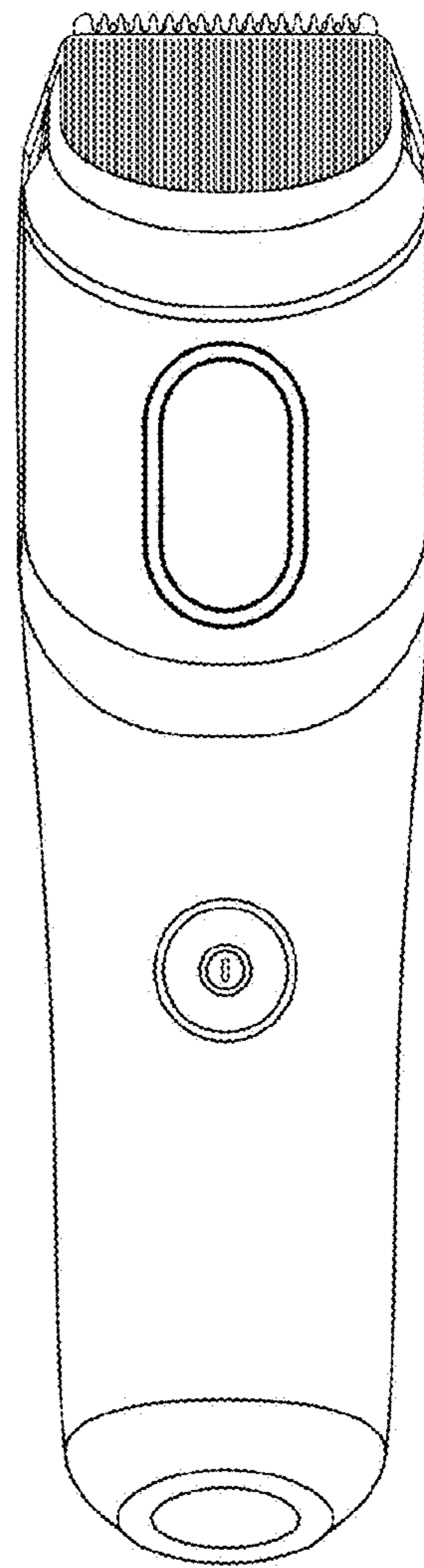


Fig. 4

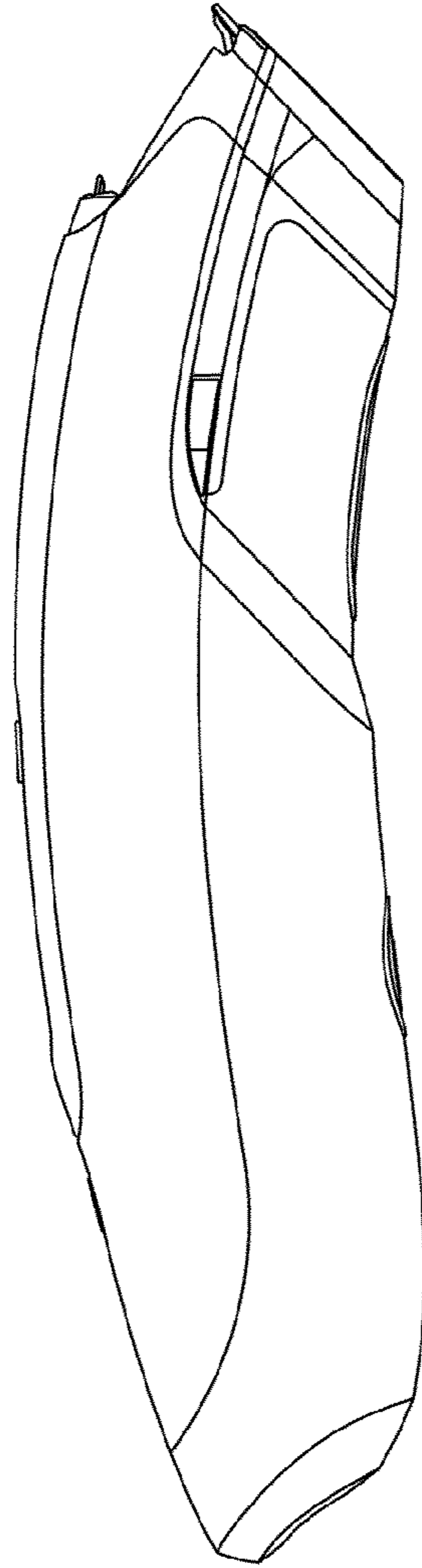


Fig. 5

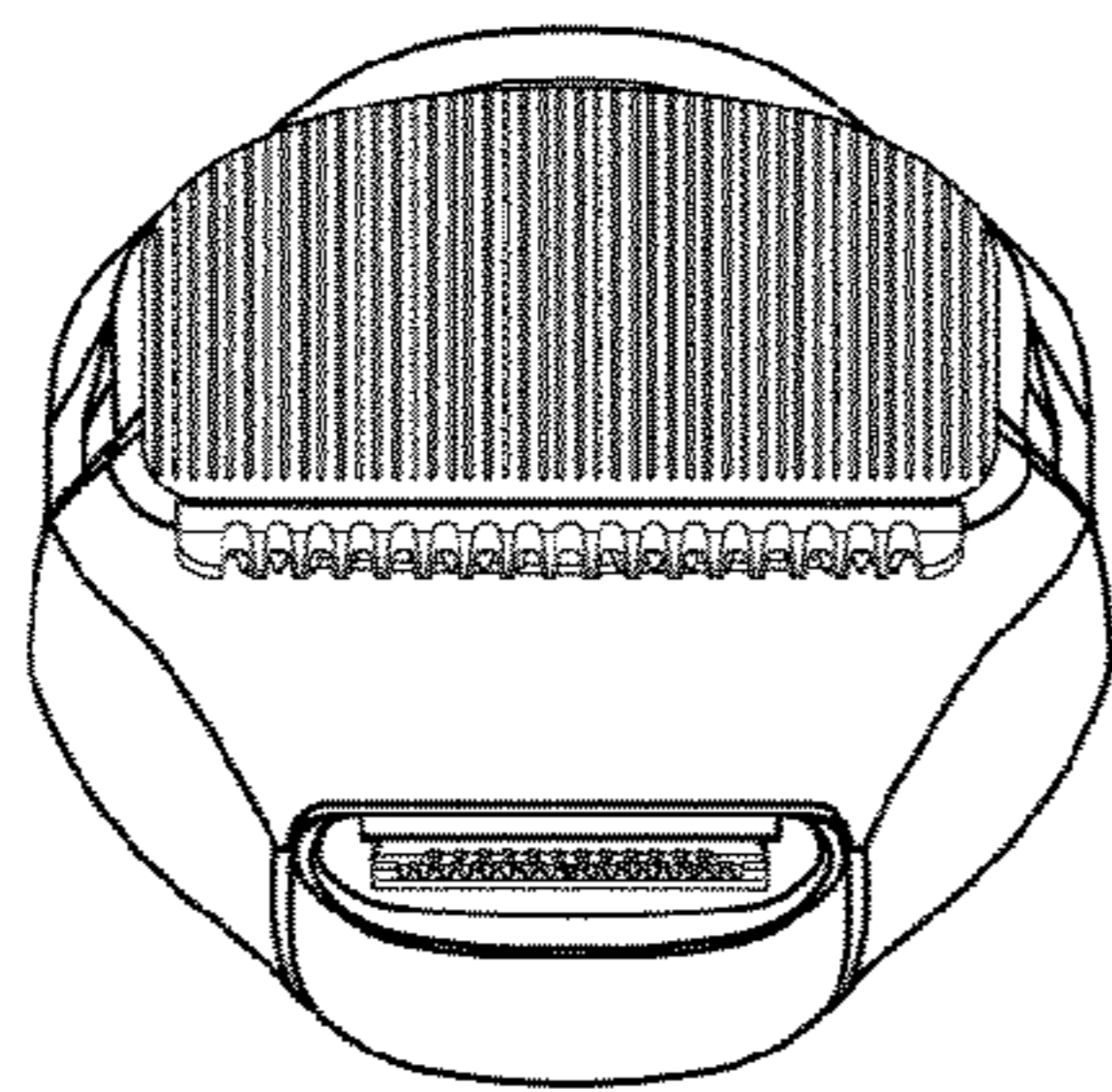


Fig. 6

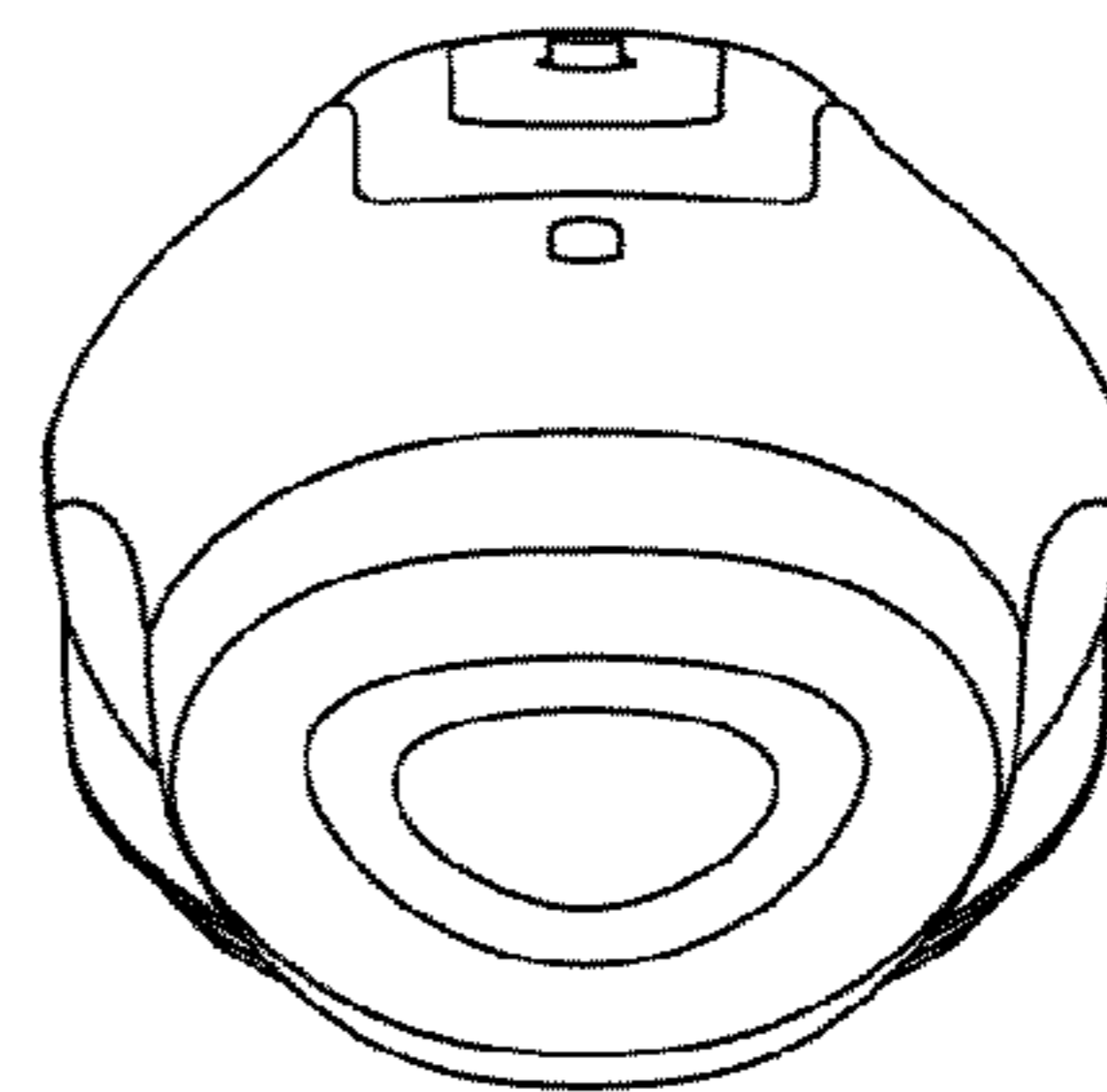


Fig. 7