



US00D655449S

(12) **United States Design Patent**
Pan et al.

(10) **Patent No.:** **US D655,449 S**
(45) **Date of Patent:** **** Mar. 6, 2012**

(54) **HAIR REMOVAL DEVICE**

(75) Inventors: **Guohua Pan**, Luwan (CN); **Kevin James Wain**, Reading (GB)

(73) Assignee: **The Gillette Company**, Boston, MA (US)

(**) Term: **14 Years**

(21) Appl. No.: **29/404,214**

(22) Filed: **Oct. 18, 2011**

- D437,661 S 2/2001 Pinchuk
- D446,884 S 8/2001 Kohring et al.
- D485,012 S 1/2004 Zucker
- 6,928,738 B2 8/2005 Segrea
- D511,024 S 10/2005 Dombrowski et al.
- D512,531 S 12/2005 Khubani et al.
- D537,207 S 2/2007 Wonderley et al.
- D542,472 S 5/2007 Sakurai
- D568,540 S 5/2008 Micinilio et al.
- 7,536,787 B2 5/2009 Blaustein et al.
- 7,761,998 B2 7/2010 Blaustein et al.
- D624,701 S 9/2010 Jung
- 7,814,661 B2 10/2010 Tomassetti
- D629,159 S 12/2010 Yoon
- 2008/0034591 A1 2/2008 Fung
- 2010/0037463 A1 2/2010 Maichel et al.

Related U.S. Application Data

(62) Division of application No. 29/377,959, filed on Oct. 28, 2010, now Pat. No. Des. 649,712.

(51) **LOC (9) Cl.** **28-03**

(52) **U.S. Cl.** **D28/46; D28/51**

(58) **Field of Classification Search** 30/32, 34.05, 30/34.1-34.2, 30-31, 43-43.92, 44-45, 47-51, 30/77-84, 526-541, 346.5-346.61, 194-196, 30/198-205, 208-216, 233-233.5; D28/44-44.1, D28/45-54

See application file for complete search history.

Primary Examiner — Jennifer Rivard

(74) *Attorney, Agent, or Firm* — John M. Lipchitz; Kevin C. Johnson; Steven W. Miller

(57) **CLAIM**

The ornamental design for a hair removal device, as shown and described.

DESCRIPTION

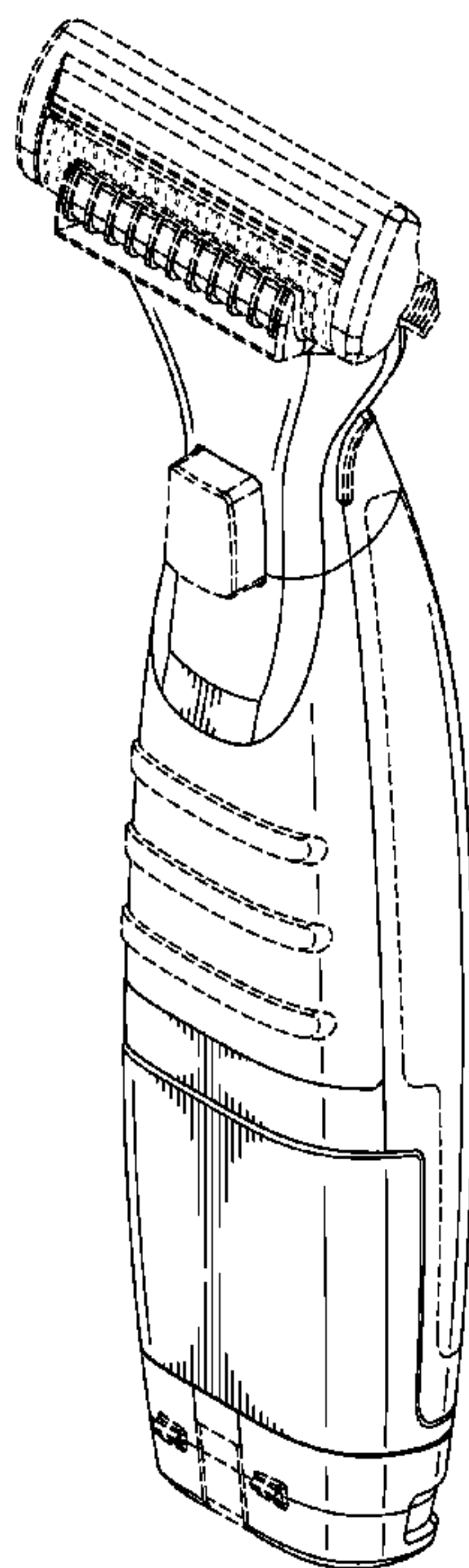
FIG. 1 is a perspective view of a hair removal device of the present invention;
FIG. 2 is a bottom view thereof;
FIG. 3 is a top view thereof;
FIG. 4 is a left view thereof;
FIG. 5 is a right view thereof;
FIG. 6 is a front view thereof; and,
FIG. 7 is a rear view thereof.
The broken lines are shown for illustrative purposes only and form no part of the claimed design.

1 Claim, 4 Drawing Sheets

(56) **References Cited**

U.S. PATENT DOCUMENTS

- D221,203 S 7/1971 Poisson
- D276,562 S 11/1984 Mizobata et al.
- D293,036 S 12/1987 Iten et al.
- D305,265 S 12/1989 Motta et al.
- D311,971 S 11/1990 Faerber
- D327,139 S 6/1992 Tilley et al.
- D346,461 S 4/1994 Reno
- 5,544,415 A 8/1996 Huang



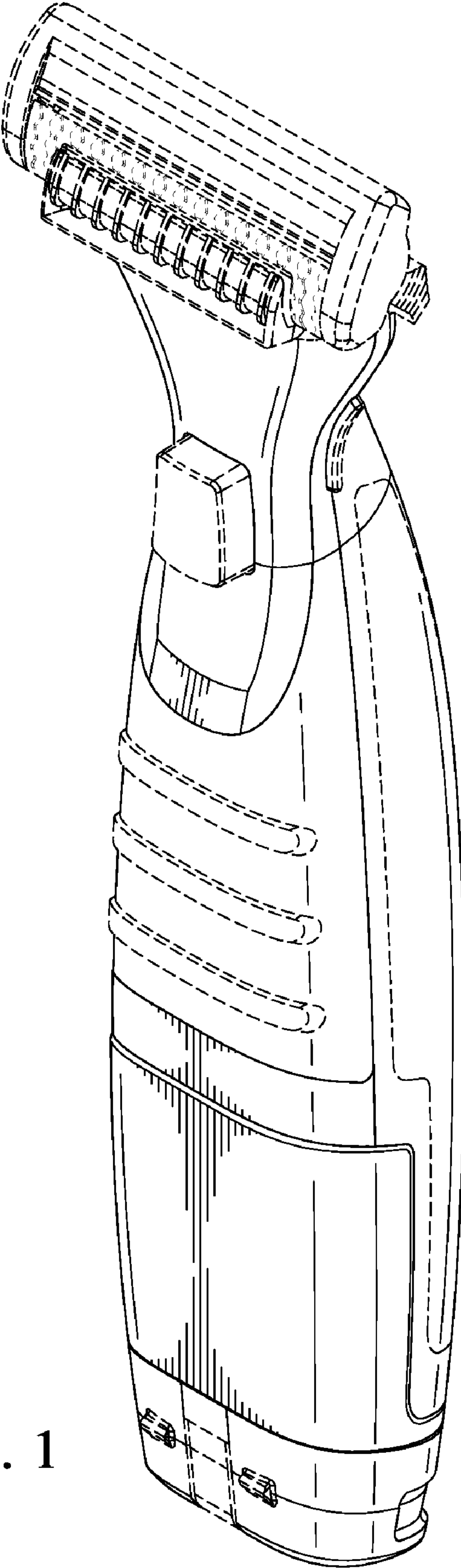


FIG. 1

FIG. 2

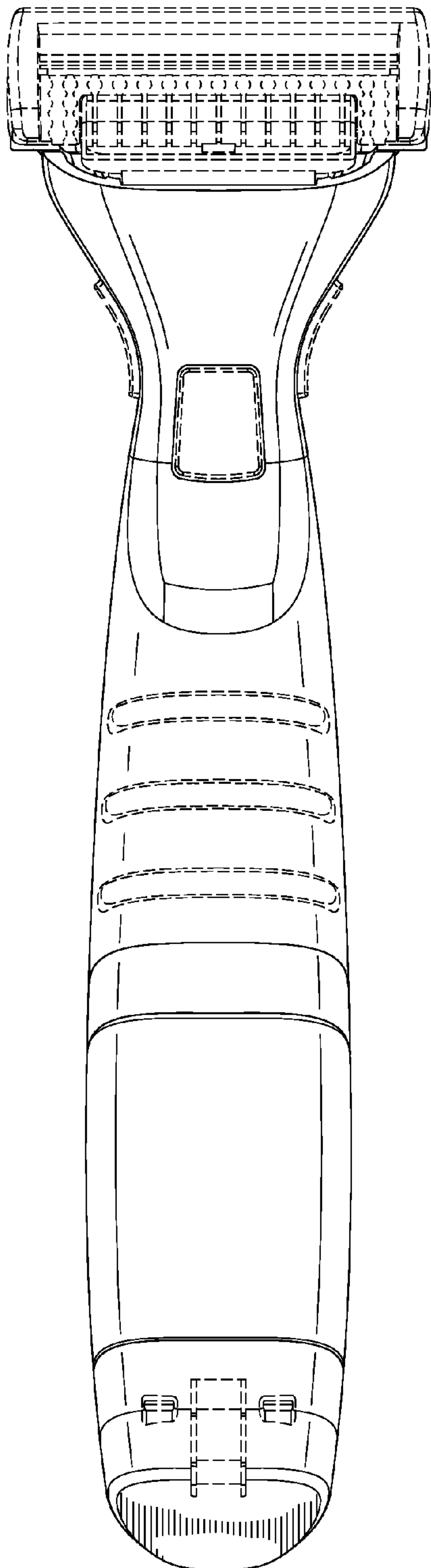


FIG. 3

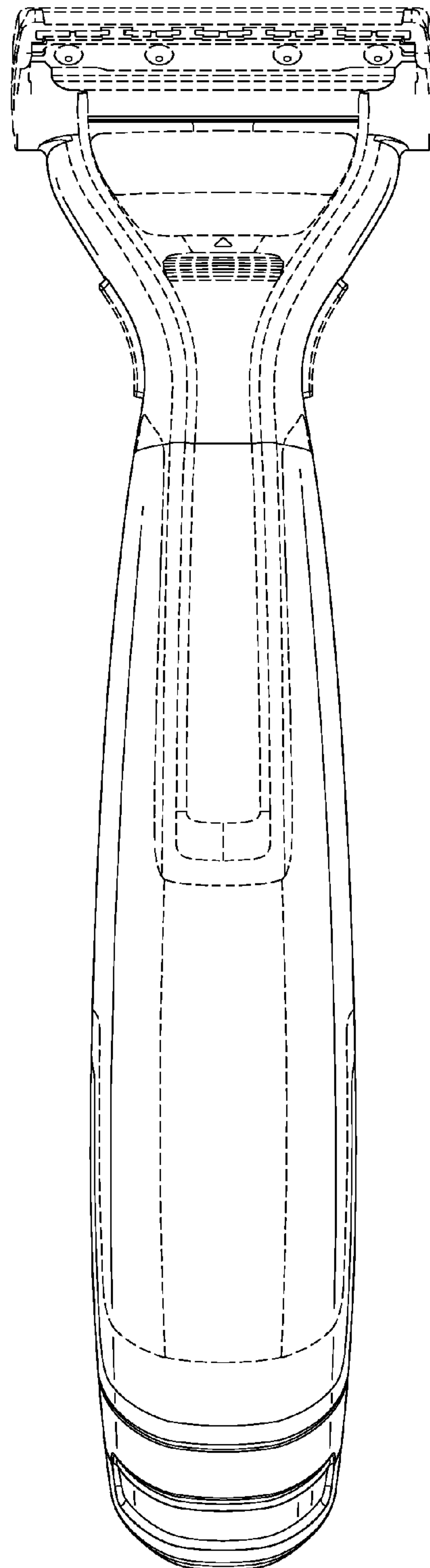


FIG. 4

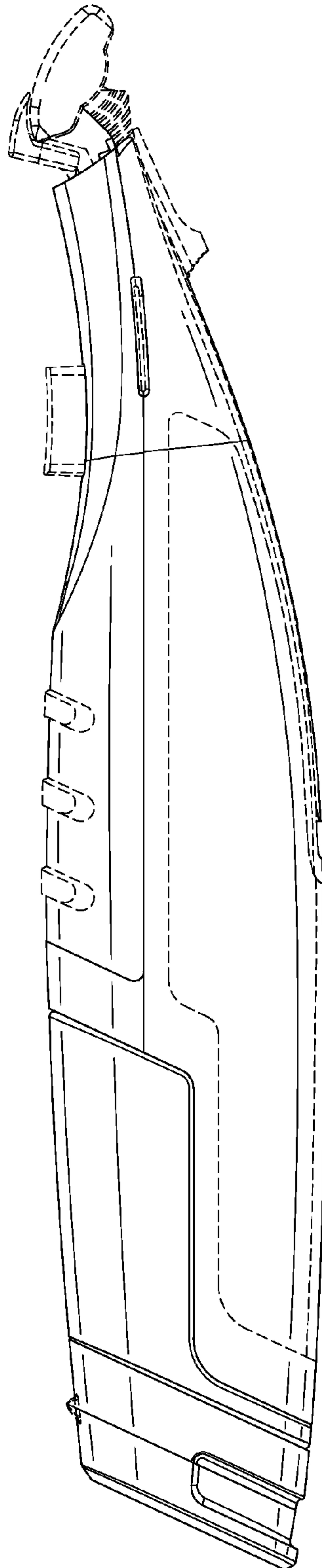
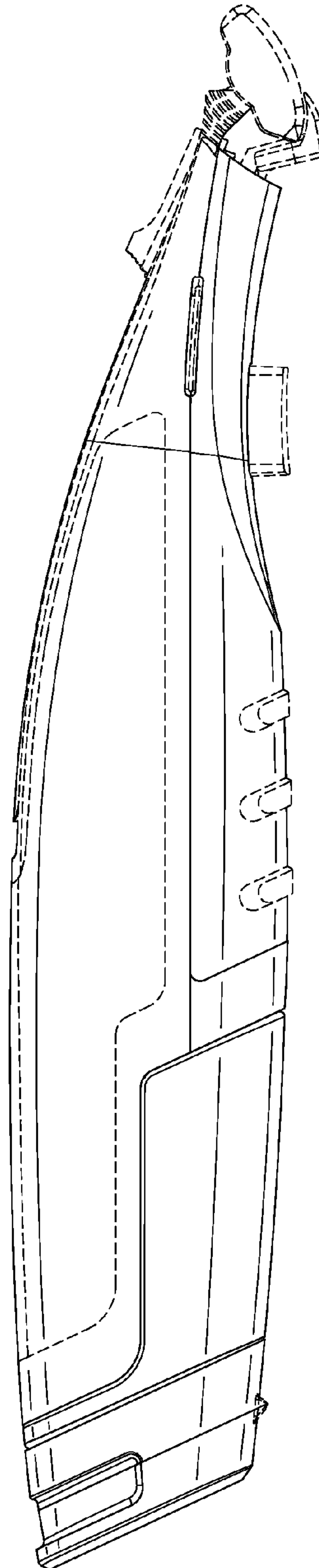


FIG. 5



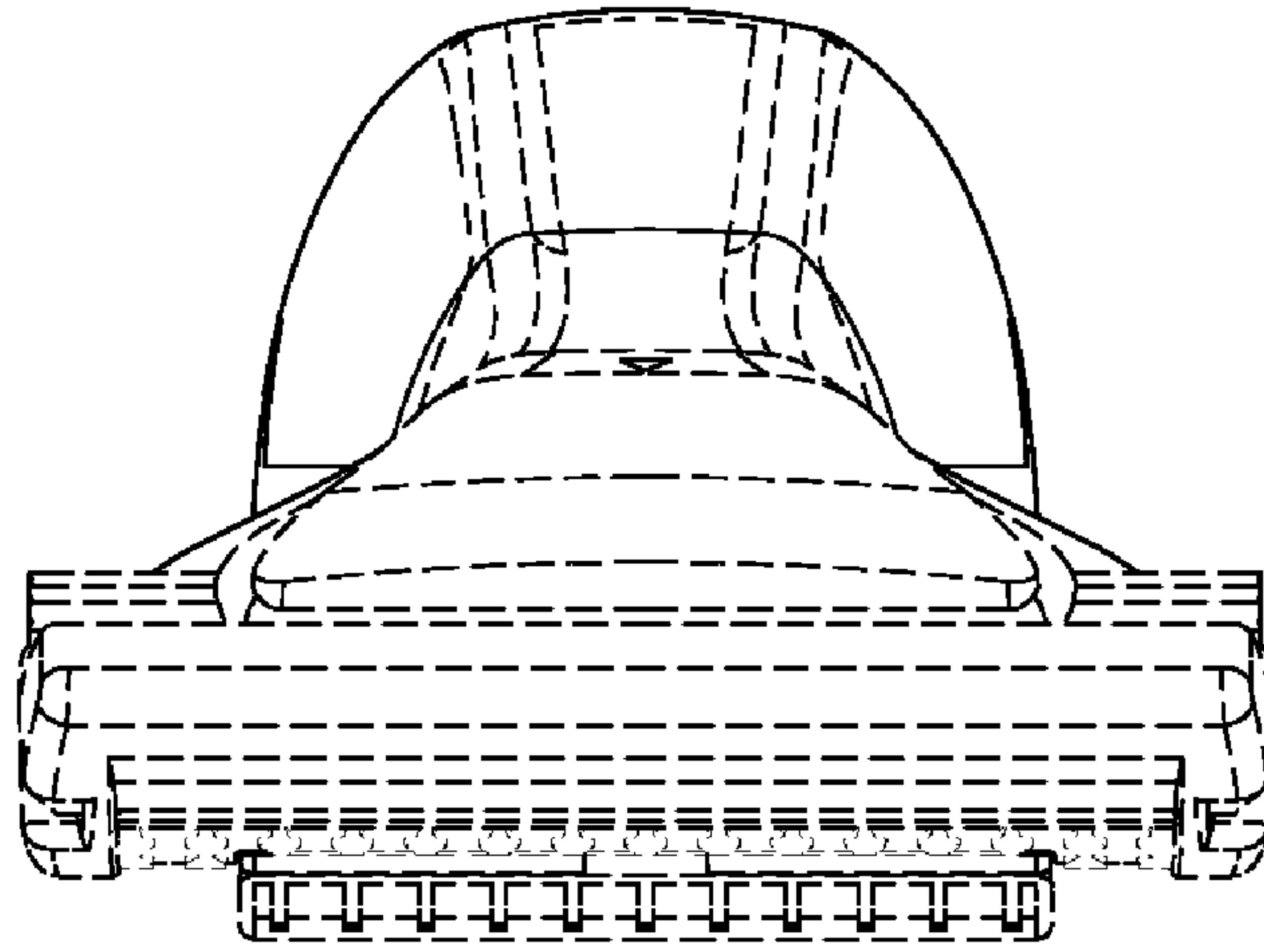


FIG. 6

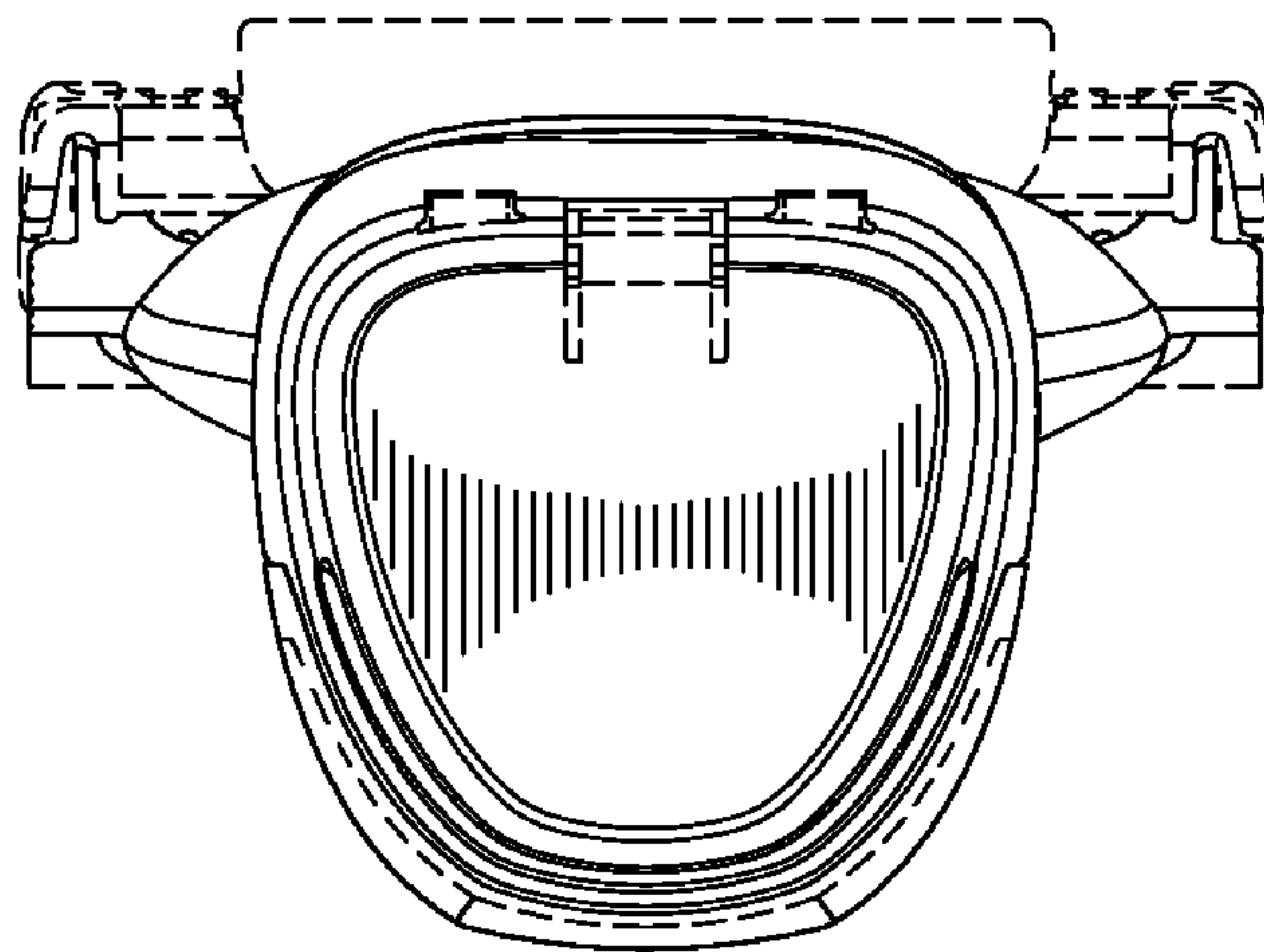


FIG. 7