



US00D655437S

(12) **United States Design Patent**
Baylar

(10) **Patent No.:** **US D655,437 S**
(45) **Date of Patent:** **** Mar. 6, 2012**

(54) **LAMP**

(76) Inventor: **Baran Baylar, Istanbul (TR)**

(**) Term: **14 Years**

(21) Appl. No.: **29/396,346**

(22) Filed: **Jun. 29, 2011**

(51) **LOC (9) Cl.** **26-03**

(52) **U.S. Cl.** **D26/81; D26/88**

(58) **Field of Classification Search** D26/72,
D26/80-86, 88-91, 118, 128, 129; 362/147,
362/404-408, 443, 457

See application file for complete search history.

(56) **References Cited**

U.S. PATENT DOCUMENTS

D20,489 S *	1/1891	Beesley et al.	D26/88
D33,392 S *	10/1900	Gray	D26/88
D74,398 S *	2/1928	Stivale	D26/85
D78,956 S *	7/1929	Zweig	D26/86
D79,375 S *	9/1929	Lazerson	D26/88
D79,411 S *	9/1929	Aglow	D26/85
D80,794 S *	3/1930	Kramer	D26/90
D260,938 S *	9/1981	Zurcher	D26/91
D293,723 S *	1/1988	Buttner	D26/129

D400,283 S *	10/1998	Lawrence	D26/86
D596,332 S *	7/2009	Diller et al.	D26/88
D597,244 S *	7/2009	Trumble et al.	D26/90

OTHER PUBLICATIONS

“Nimah” #16479-012 on p. 204 and, “Dela” #14128-011 on p. 220 of the Eurofase Illuminations 2009 Catalog. (3 pages).
“Emilia” #19389-011 on pp. 67 and 68; “Vidra” #19386-010 on p. 81; and “Vidra” #19385-013 on p. 82 of the Eurofase 2010 Illuminations Supplement Catalog. (3 pages).
U.S. Appl. No. 29/346,492 Inventor Barlas Baylar.

* cited by examiner

Primary Examiner — Clare E Heflin

(74) *Attorney, Agent, or Firm* — Baker & Rannells, PA

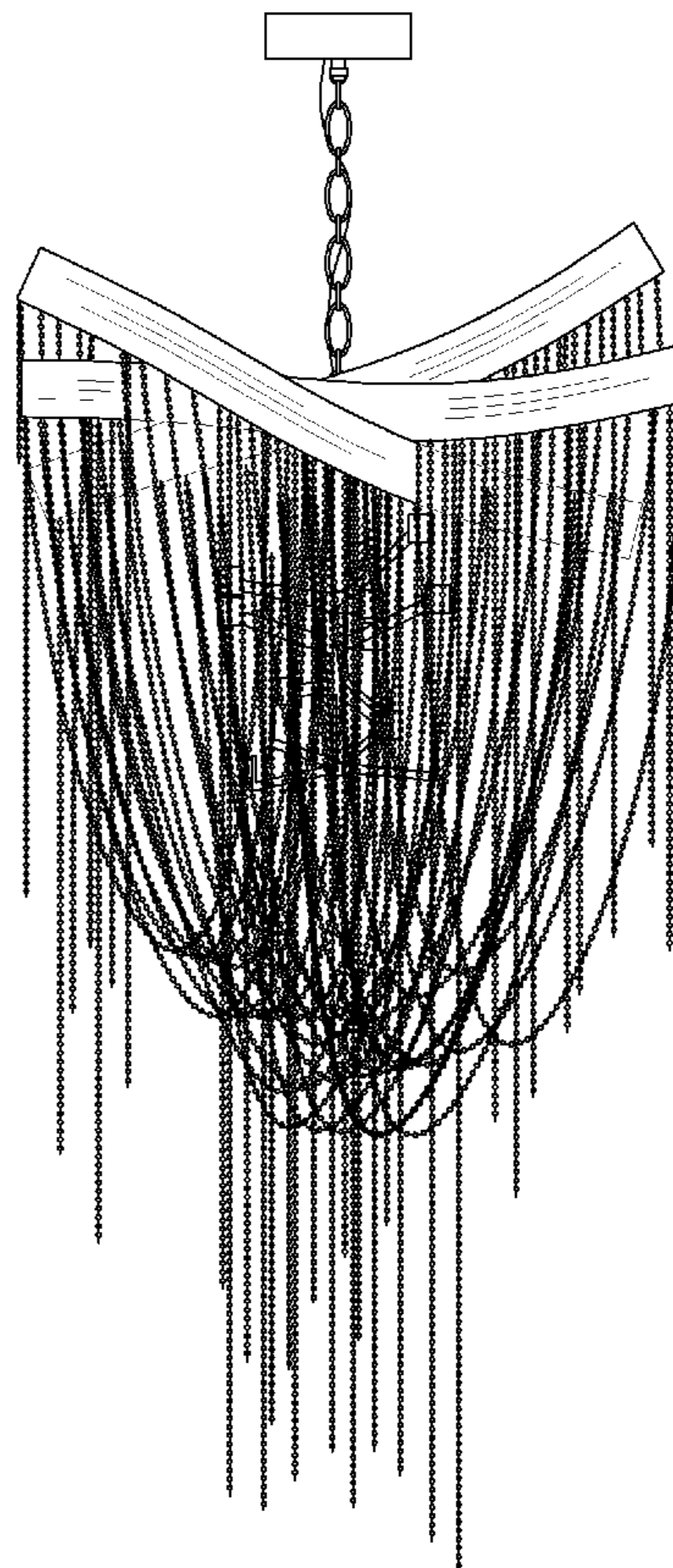
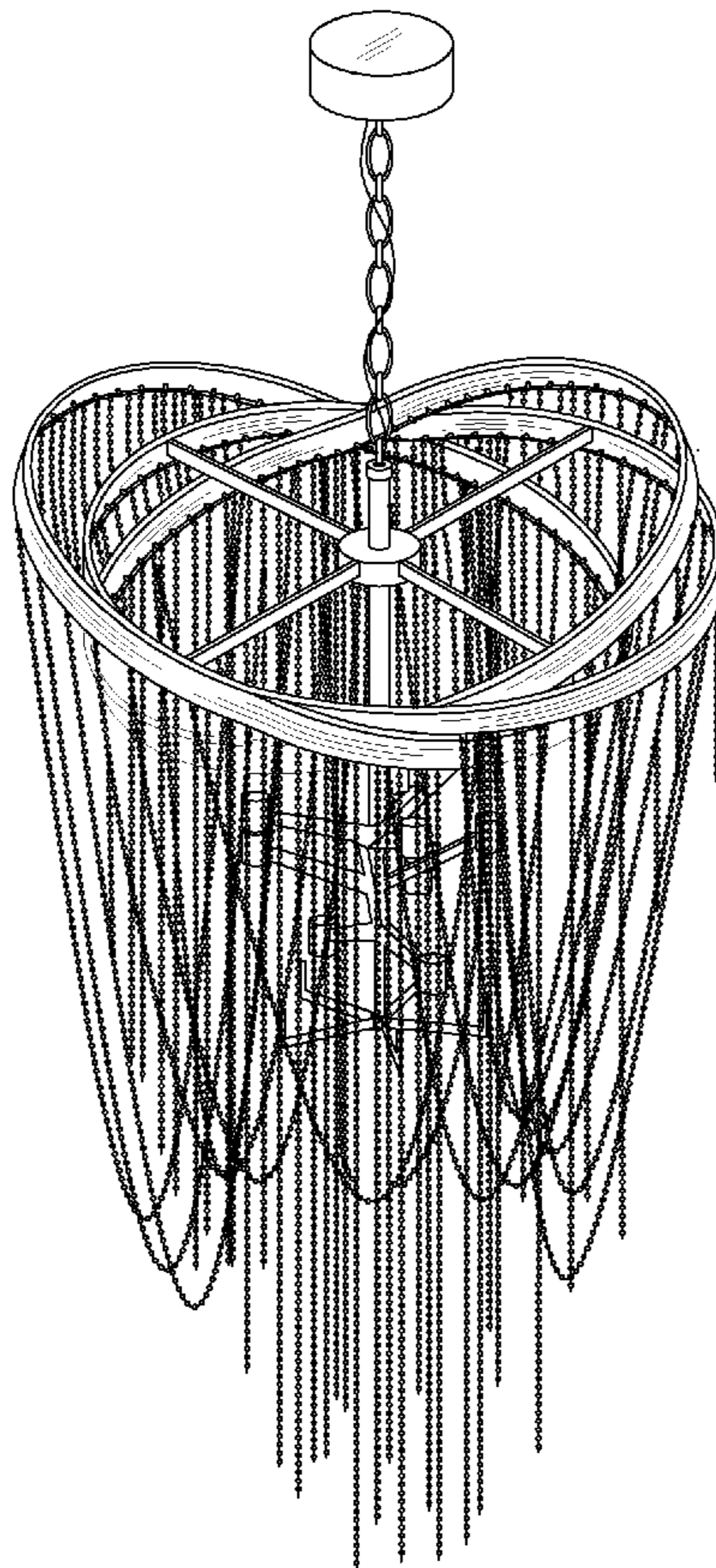
(57) **CLAIM**

I claim the ornamental design for a lamp, as shown and described.

DESCRIPTION

FIG. 1 is a front perspective view of my new lamp design; FIG. 2 is a front elevational view thereof; FIG. 3 is a rear elevational view thereof; FIG. 4 is a left side elevational view thereof; FIG. 5 is a right side elevational view thereof; FIG. 6 is a top plan view thereof; FIG. 7 is a bottom plan view thereof; and, FIG. 8 is a front perspective view showing the frame of my new lamp design shown without the chains attached.

1 Claim, 5 Drawing Sheets



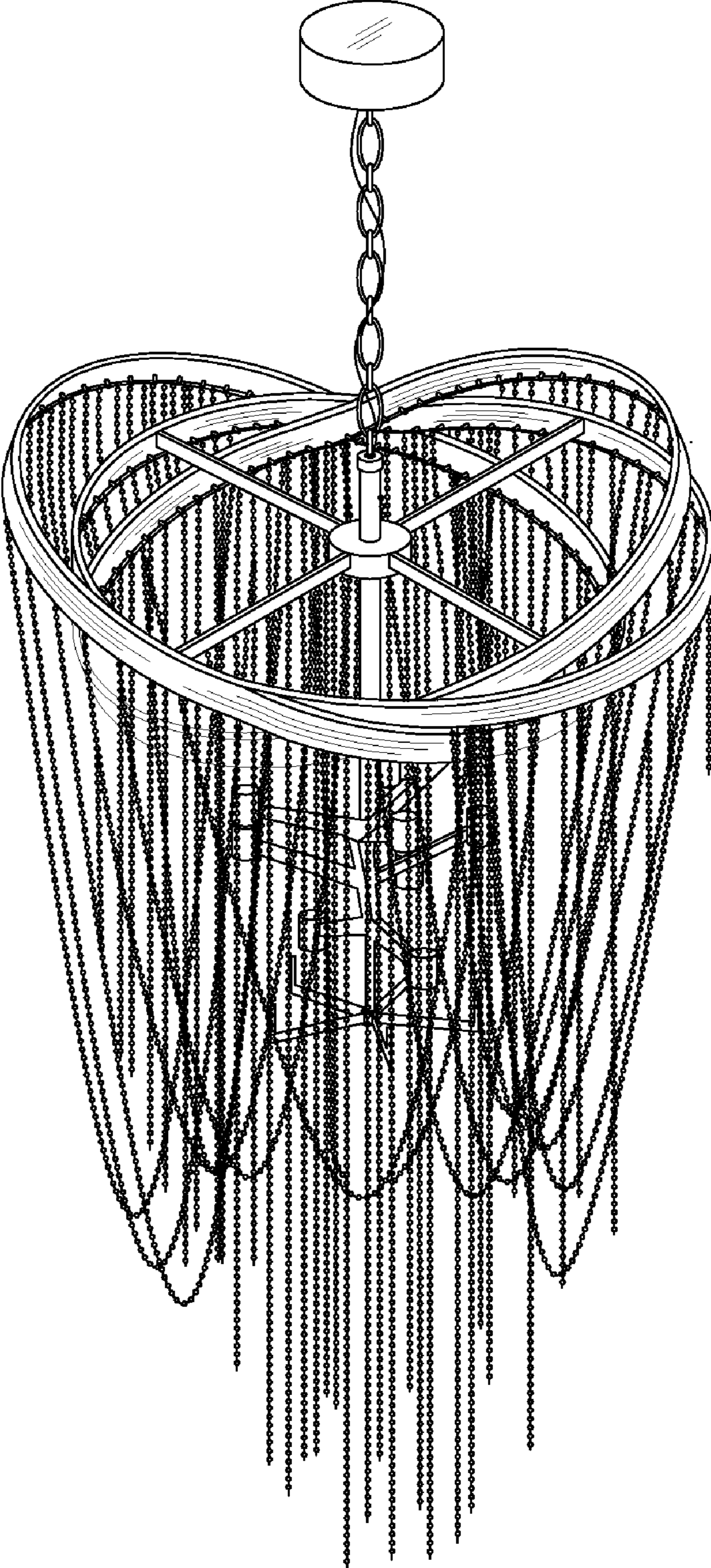


Fig. 1

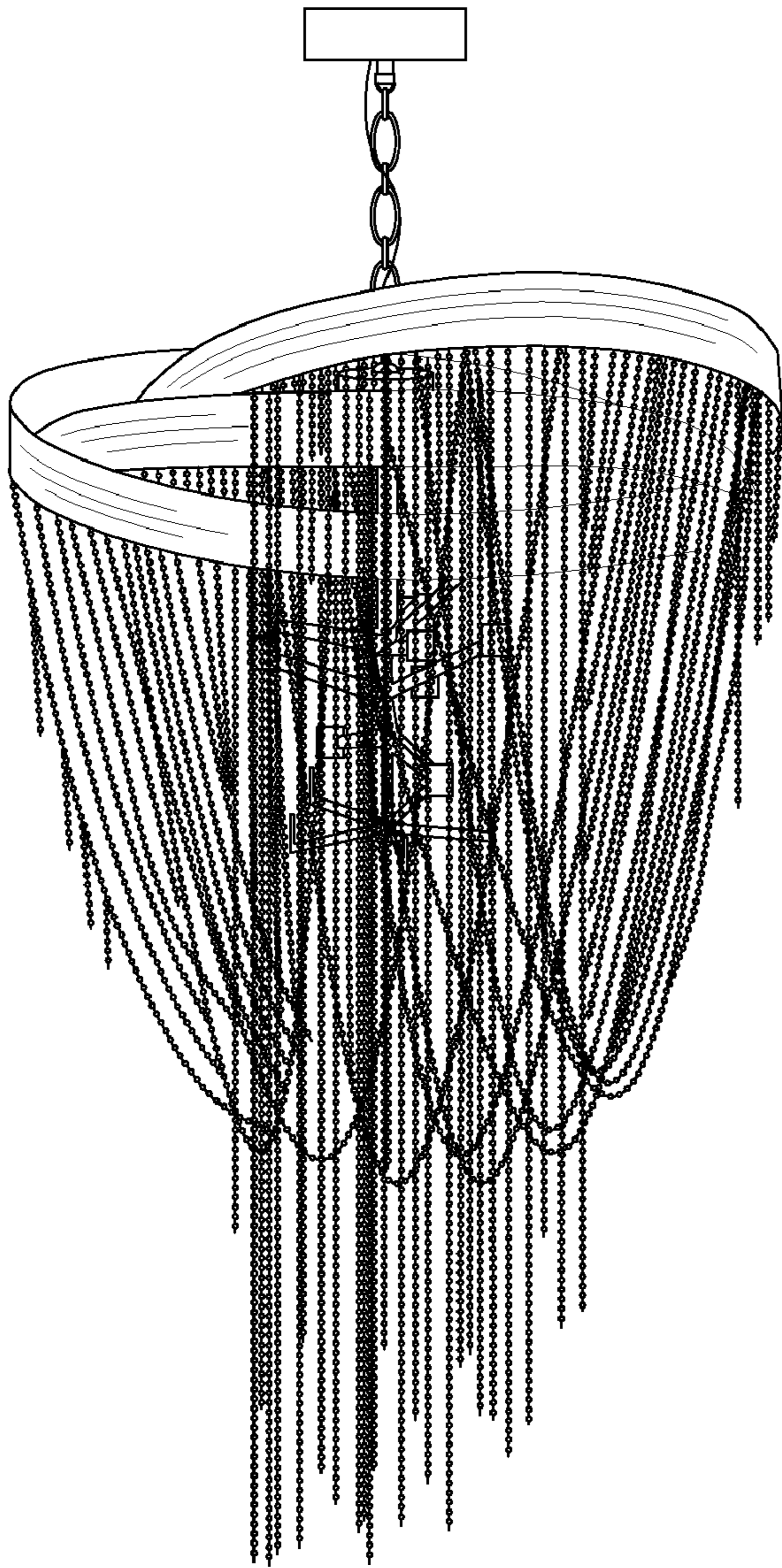


Fig. 2

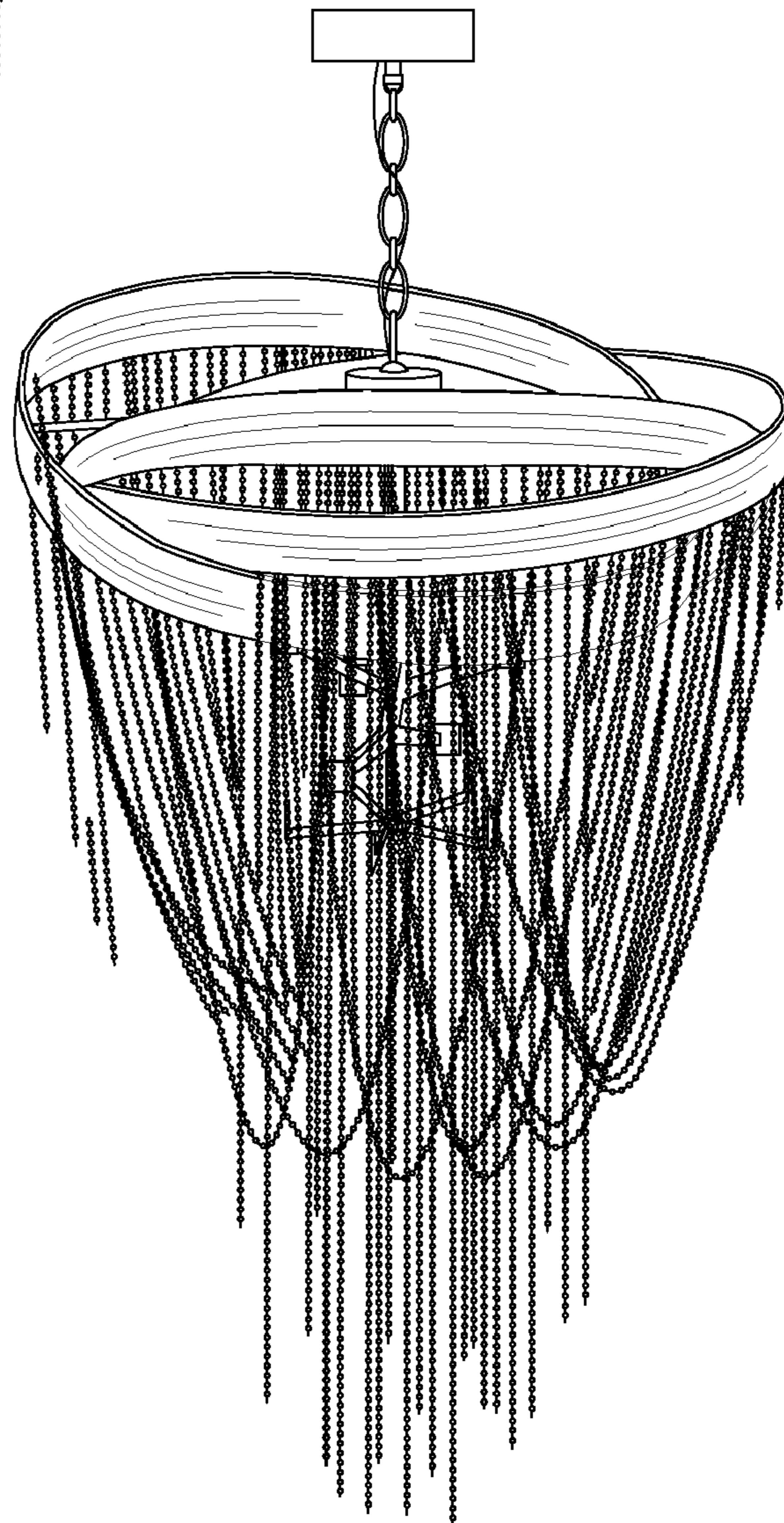


Fig. 3

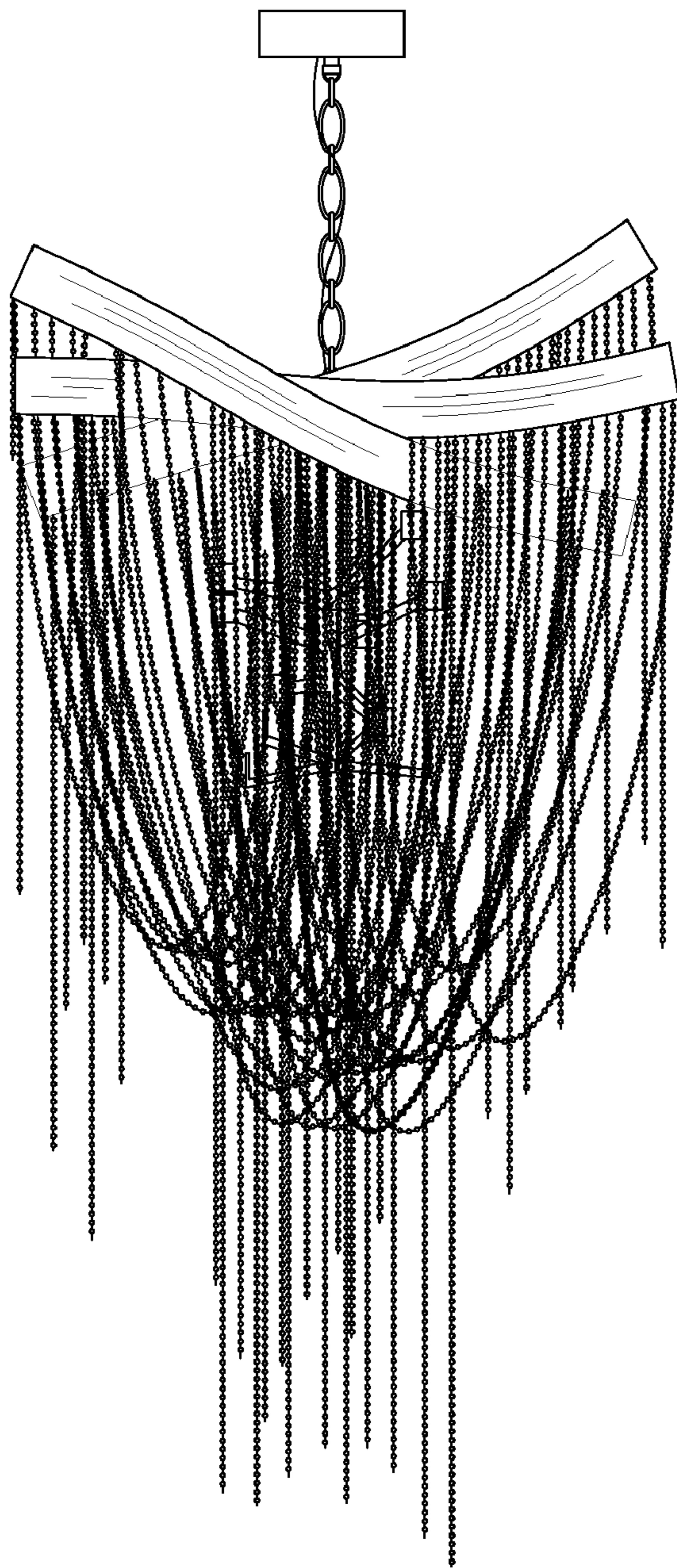


Fig. 4

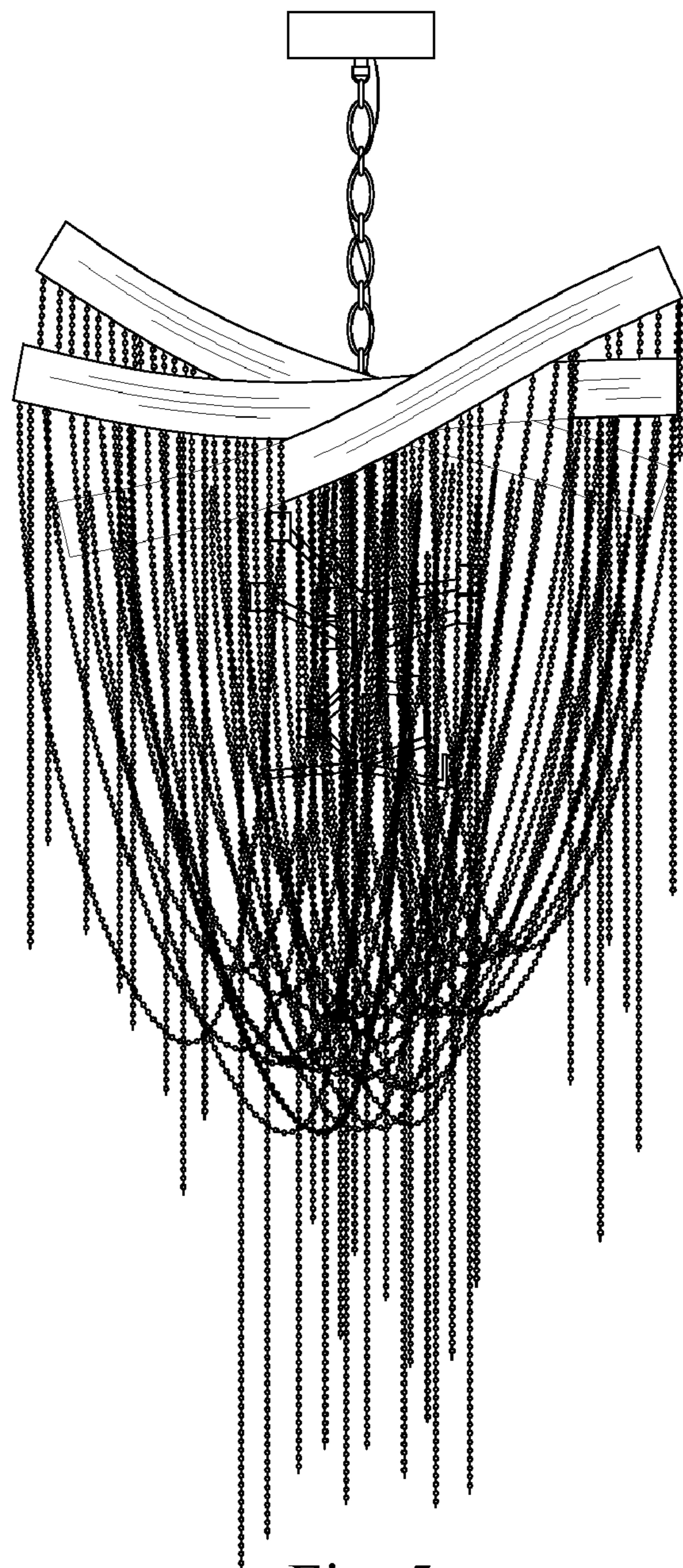


Fig. 5

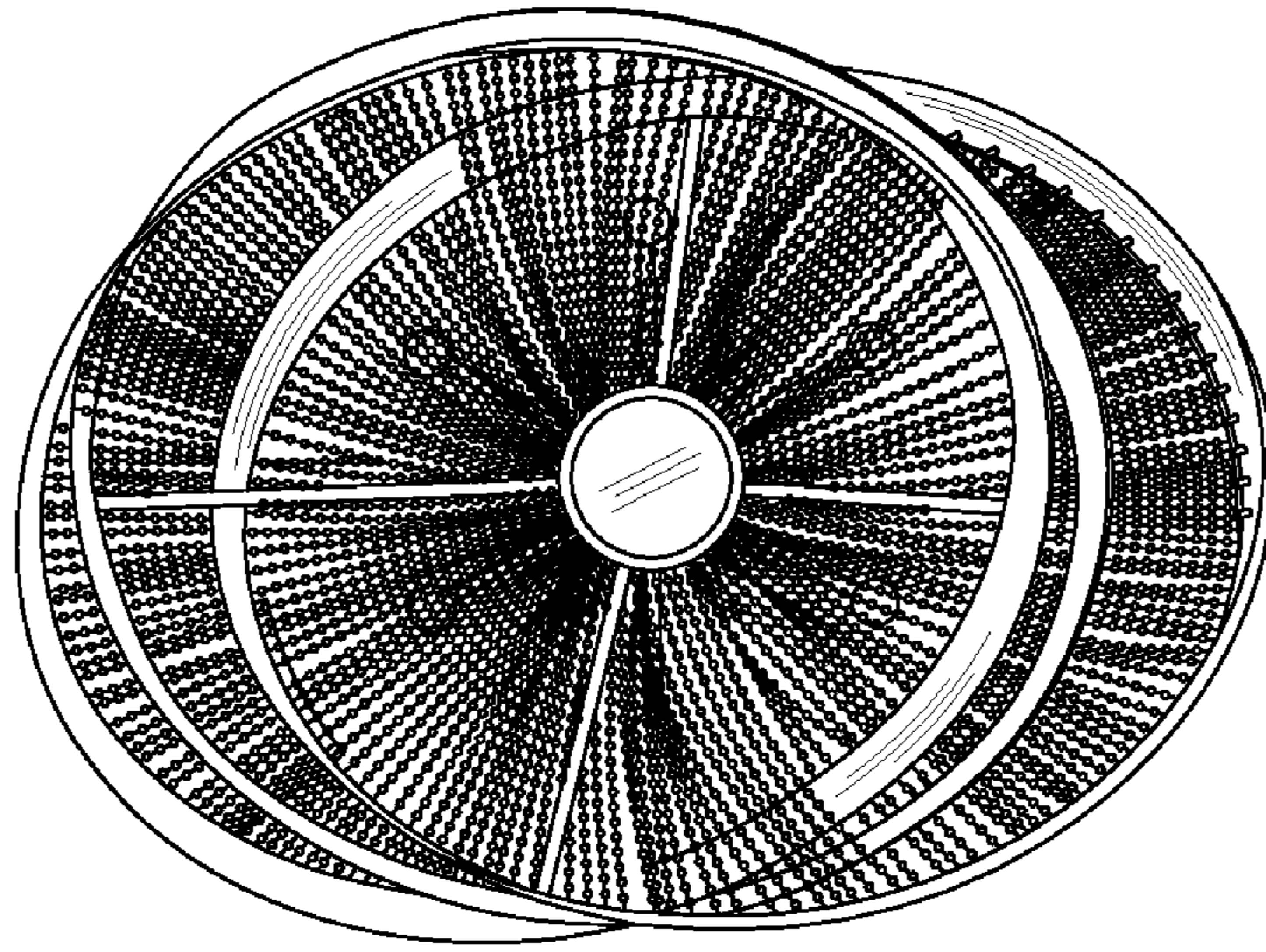


Fig. 6

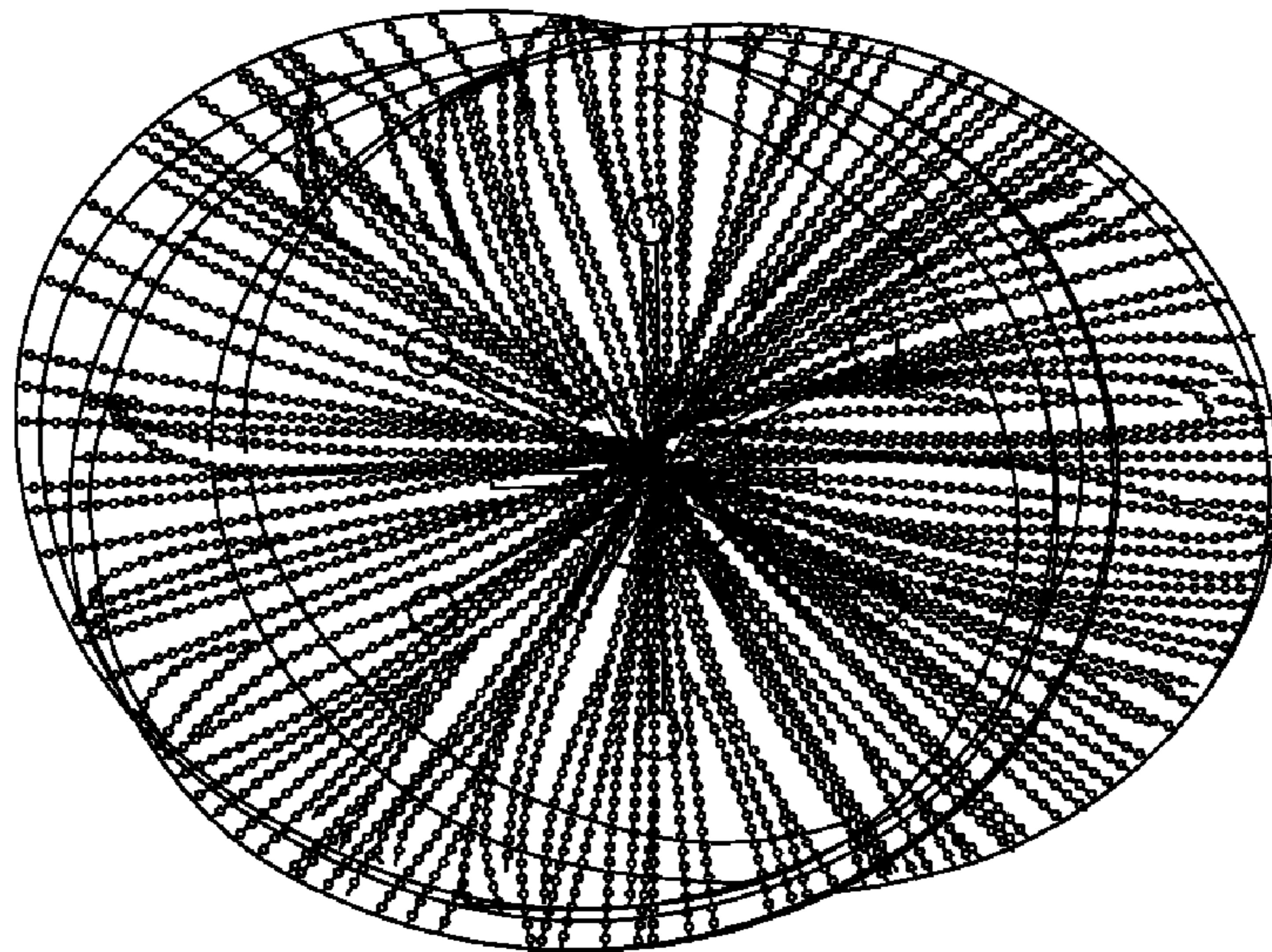


Fig. 7

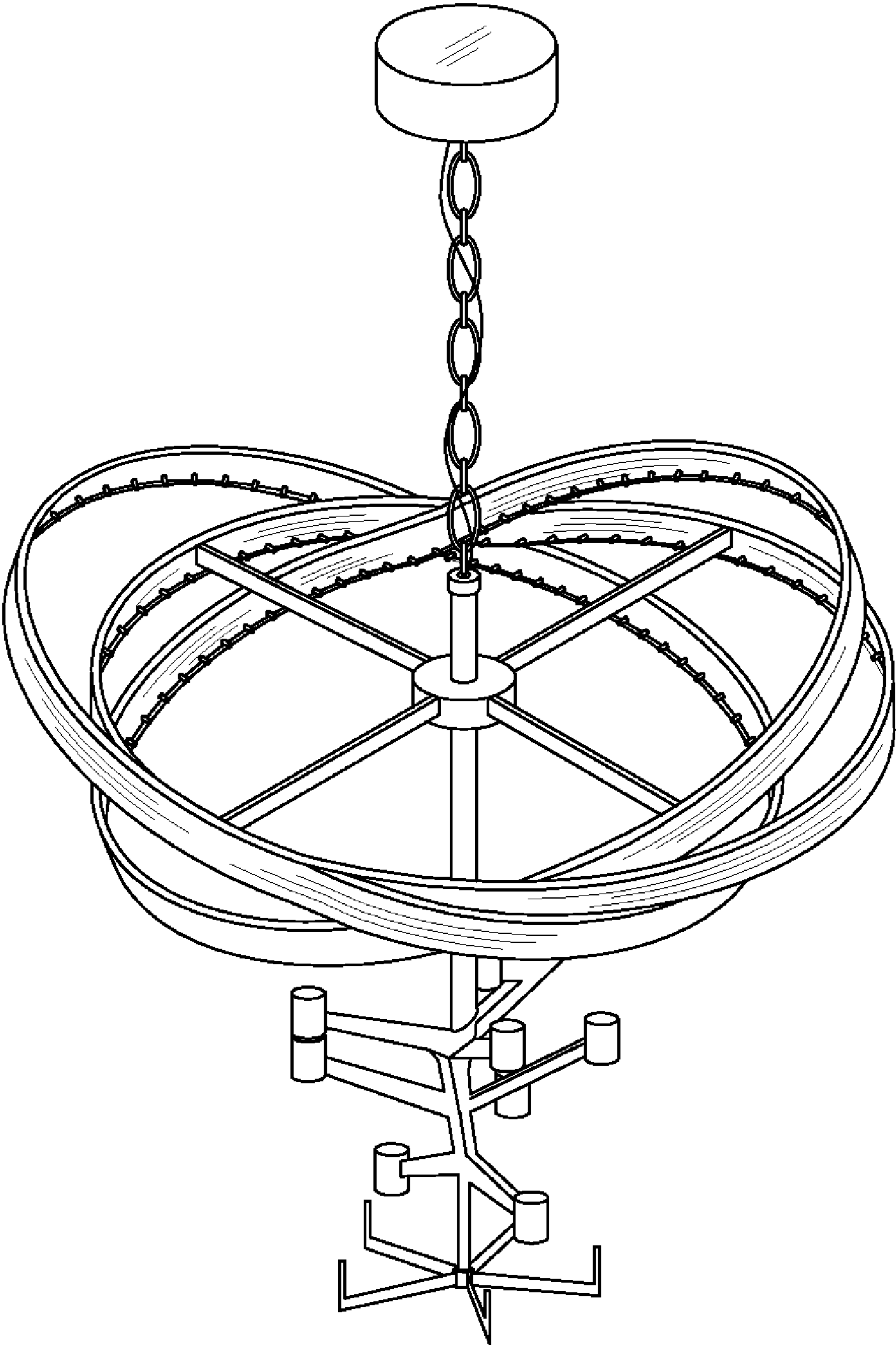


Fig. 8