



US00D655436S

(12) **United States Design Patent**  
**Johnson**

(10) **Patent No.:** **US D655,436 S**  
(45) **Date of Patent:** **\*\* Mar. 6, 2012**

- (54) **FIRE RATED DOWNLIGHT HOUSING**
- (75) Inventor: **Andrew Joseph Johnson**, Klosters (CH)
- (73) Assignee: **Aurora Lighting, Inc.**, Clearwater, FL (US)
- (\*\*) Term: **14 Years**
- (21) Appl. No.: **29/359,423**
- (22) Filed: **Apr. 9, 2010**
- (51) **LOC (9) Cl.** ..... **26-05**
- (52) **U.S. Cl.** ..... **D26/74**
- (58) **Field of Classification Search** ..... D26/24, D26/72, 74, 80, 81, 83, 85, 88, 61, 63, 118; 362/576, 89, 145, 147, 148, 150, 151, 152, 362/153, 153.1, 294, 296.01, 311.02, 311.07, 362/364, 365, 366, 373  
See application file for complete search history.

6,872,885	B1	3/2005	Newbold, Jr.	174/58
7,193,152	B2	3/2007	Moselle	174/50
D548,389	S *	8/2007	Lecluze	D26/138
D551,797	S *	9/2007	Rashidi	D26/118
7,331,555	B2 *	2/2008	St-Pierre	248/343
D574,541	S *	8/2008	Matsumoto et al.	D26/74
D581,082	S *	11/2008	Chan et al.	D26/74
D581,083	S *	11/2008	Chan et al.	D26/74
7,455,432	B2	11/2008	Craw et al.	362/373
7,572,038	B2	8/2009	Kinnune et al.	362/365
D600,393	S *	9/2009	Chan et al.	D26/74
D601,739	S *	10/2009	Chan et al.	D26/74
2008/0112171	A1	5/2008	Patti et al.	362/365
2008/0170404	A1	7/2008	Steer et al.	362/365

**FOREIGN PATENT DOCUMENTS**

KR 300527517 \* 5/2009  
\* cited by examiner

*Primary Examiner* — Angela J. Lee  
(74) *Attorney, Agent, or Firm* — Hayes Soloway P.C.

(56) **References Cited**

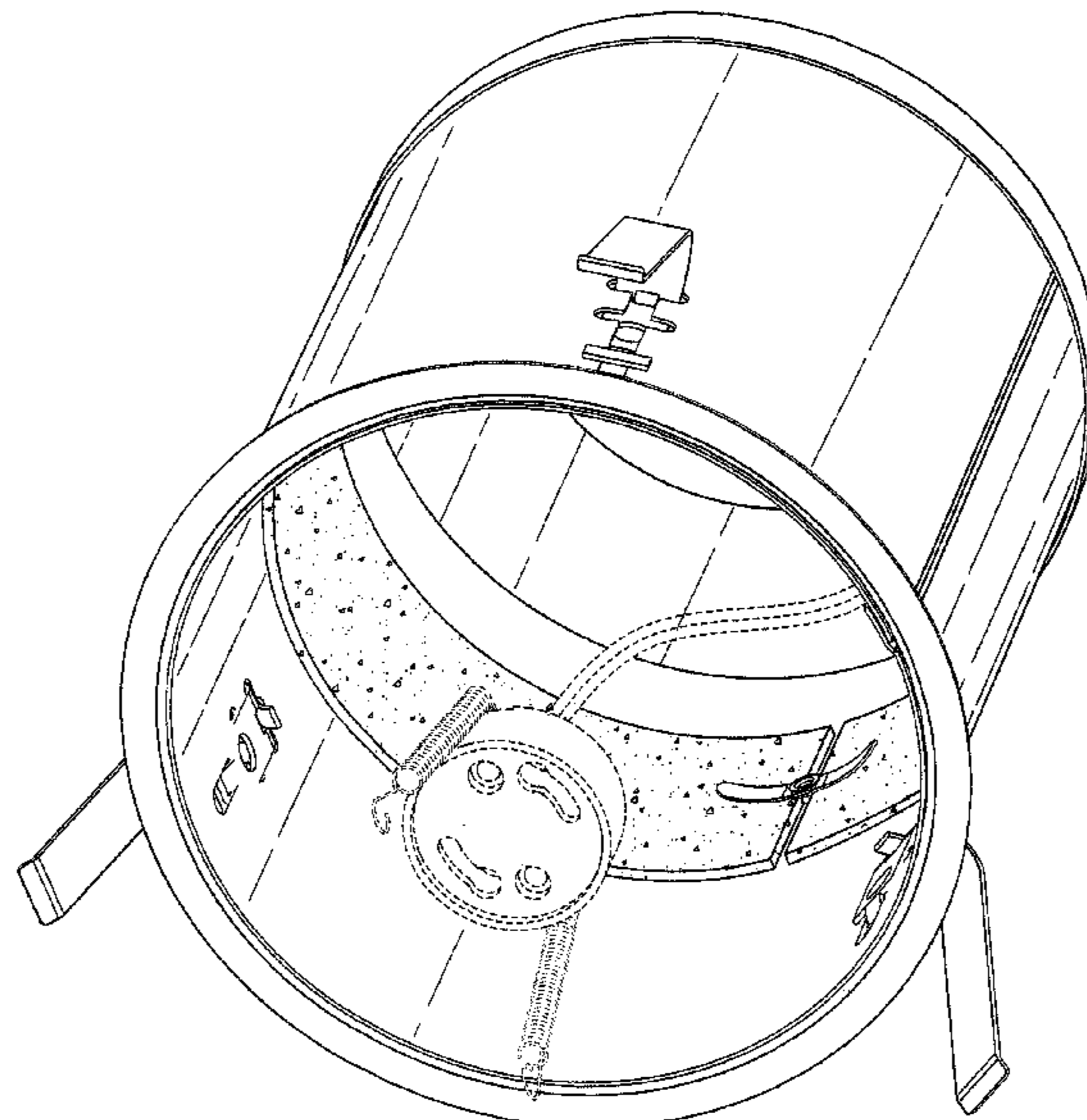
**U.S. PATENT DOCUMENTS**

979,927	A	12/1910	Brown et al.	439/546
D206,284	S	11/1966	Ota	D26/72
3,439,157	A	4/1969	Myles	362/551
5,426,572	A	6/1995	Weinstock et al.	362/133
5,823,664	A	10/1998	Demshki et al.	362/366
6,176,599	B1	1/2001	Farzen	362/365
D448,880	S *	10/2001	Benghozi	D26/74
6,357,891	B1	3/2002	Newbold et al.	362/147
6,452,336	B1	9/2002	Dandu	315/56
6,474,846	B1	11/2002	Kelmelis et al.	362/365
6,554,458	B1 *	4/2003	Benghozi	362/365
6,632,006	B1	10/2003	Rippel et al.	362/366
6,827,471	B1 *	12/2004	Benghozi	362/365
6,838,618	B2	1/2005	Newbold et al.	174/50

**DESCRIPTION**

FIG. 1 is a front elevational view of a fire rated downlight housing, showing my new design;  
FIG. 2 is a side elevational view thereof;  
FIG. 3 is a bottom plan view thereof;  
FIG. 4 is a top plan view thereof; and,  
FIG. 5 is a side perspective view thereof.  
The portions of the fire rated downlight housing shown in broken lines form no part of the claimed design.

**1 Claim, 5 Drawing Sheets**



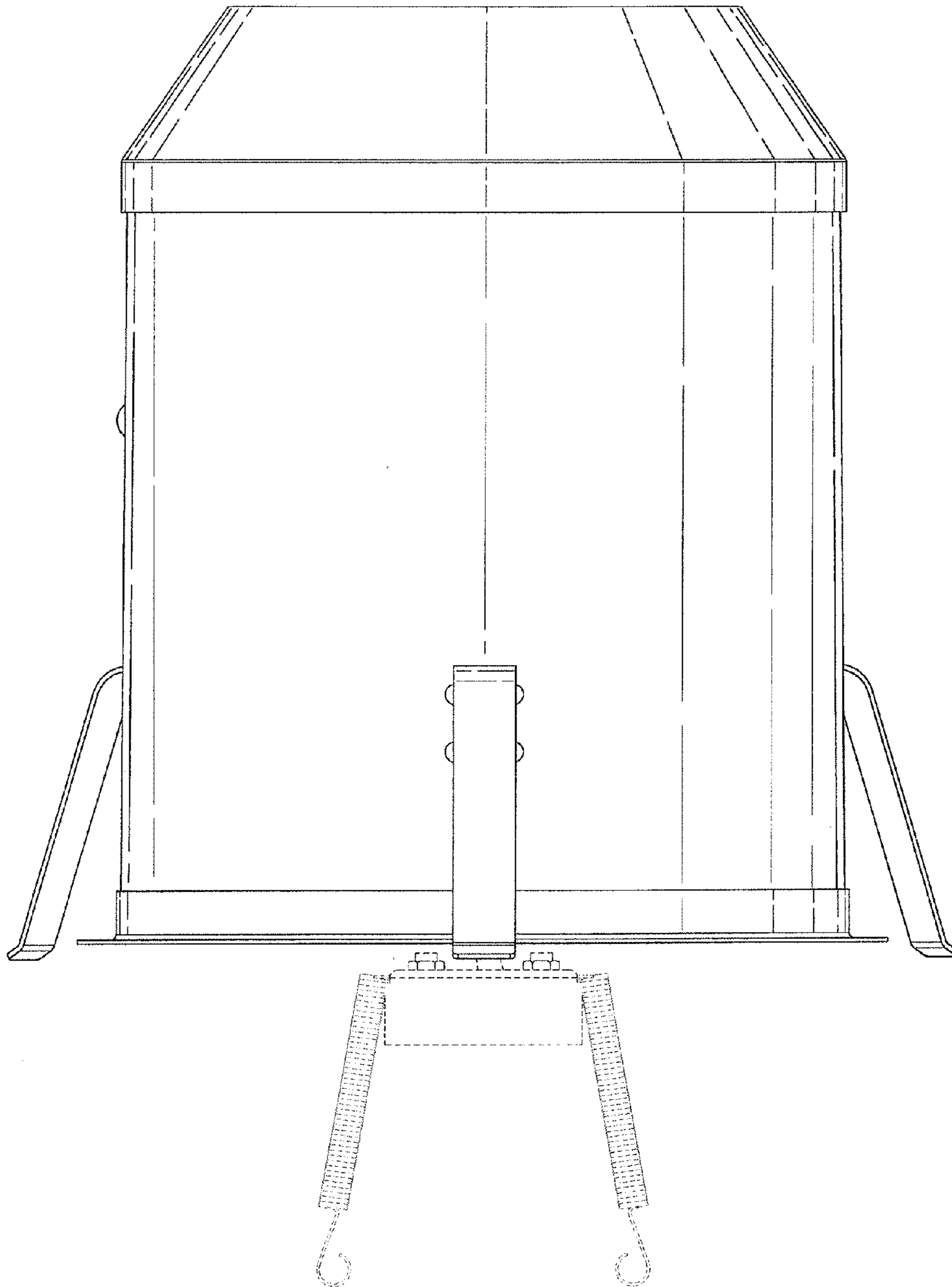


Fig.1

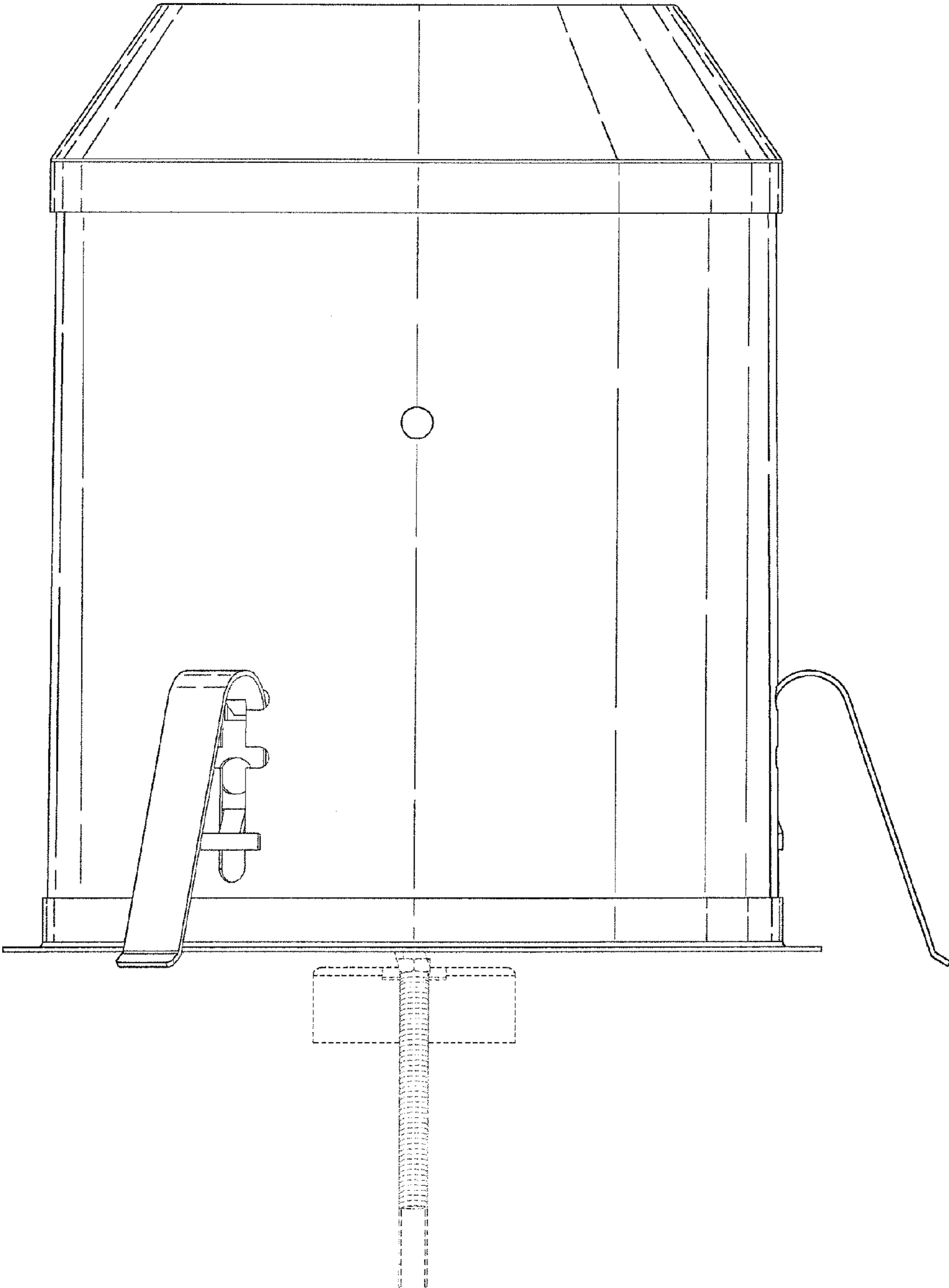


Fig.2

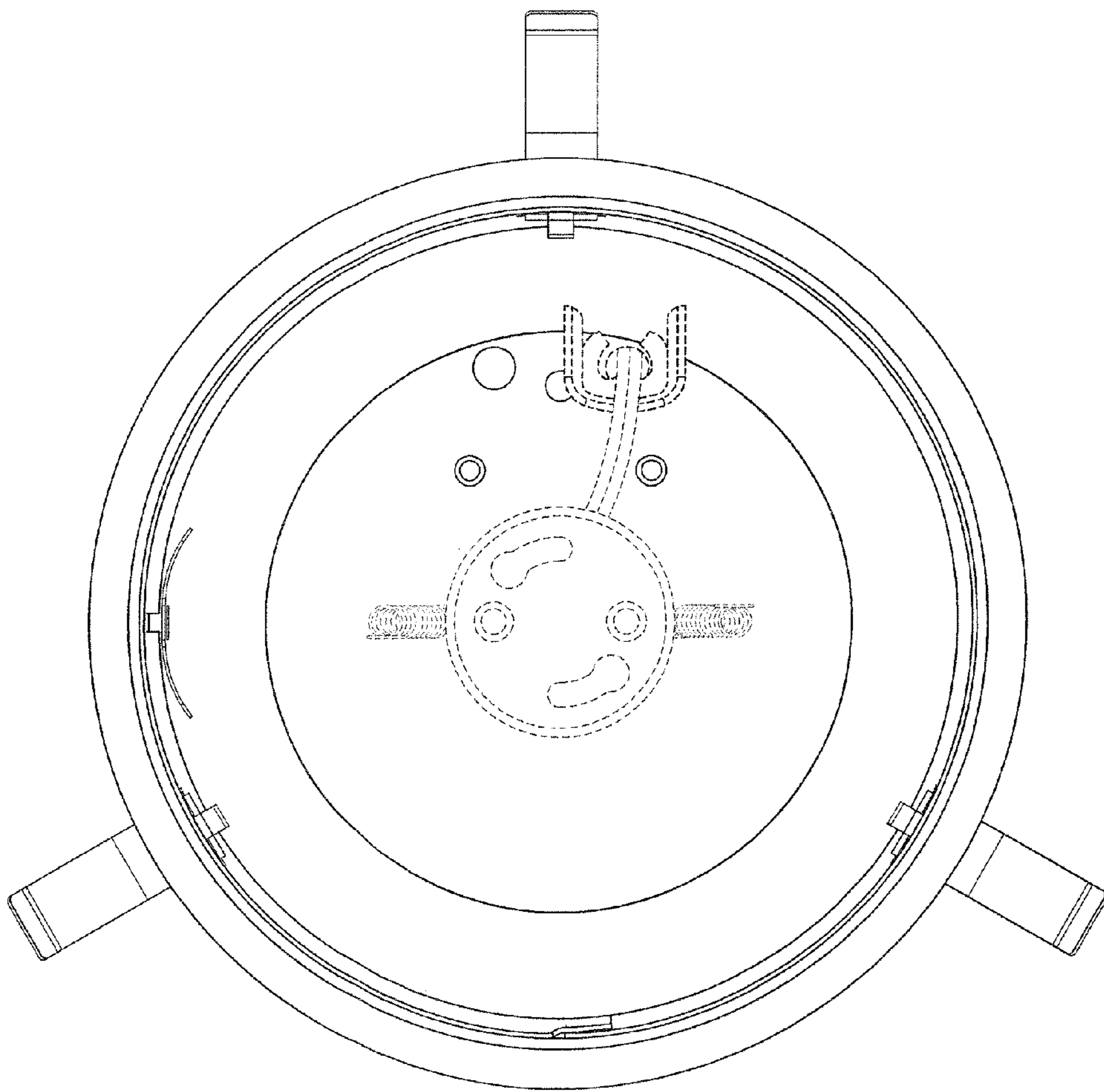


Fig.3

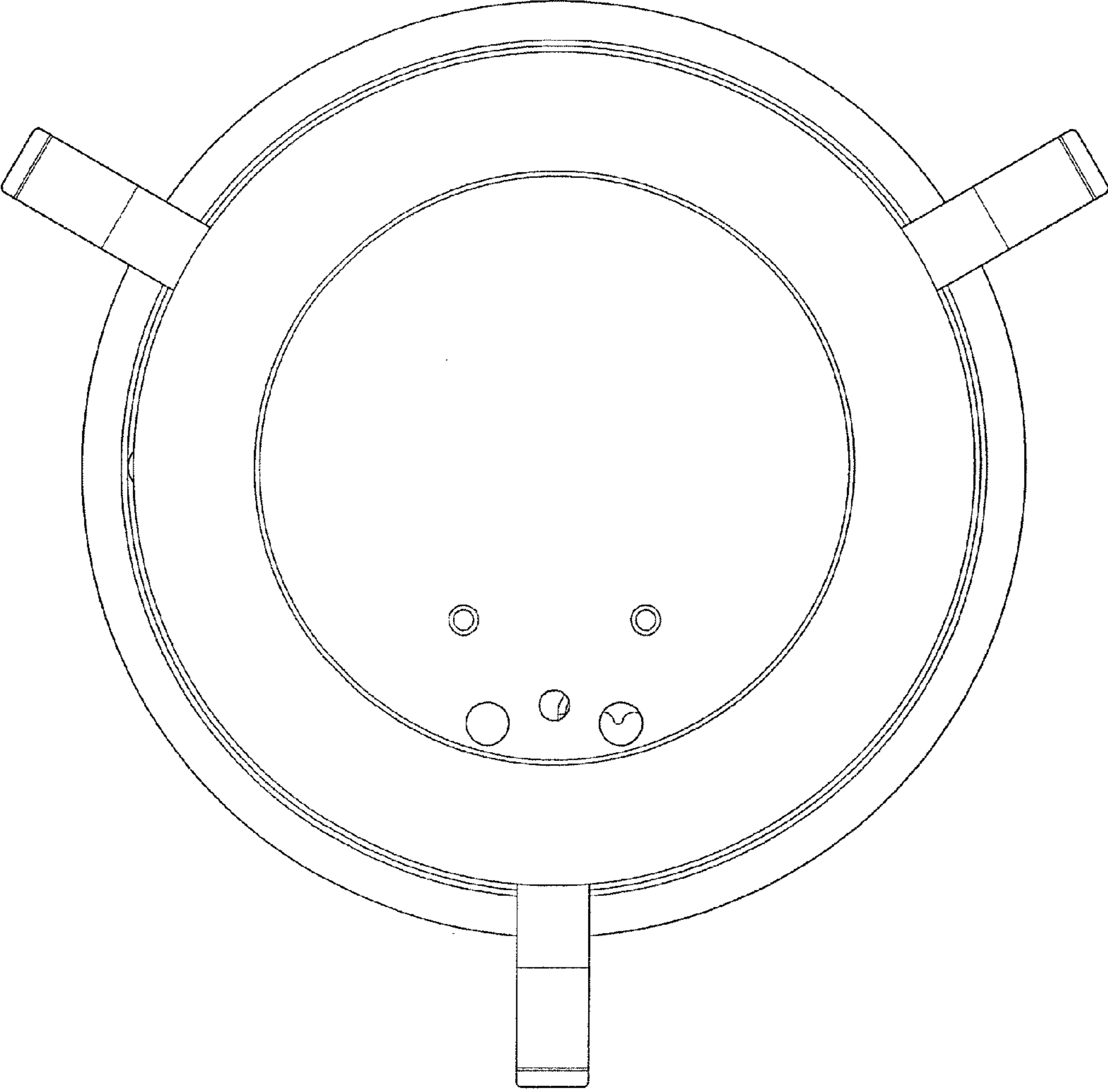


Fig.4

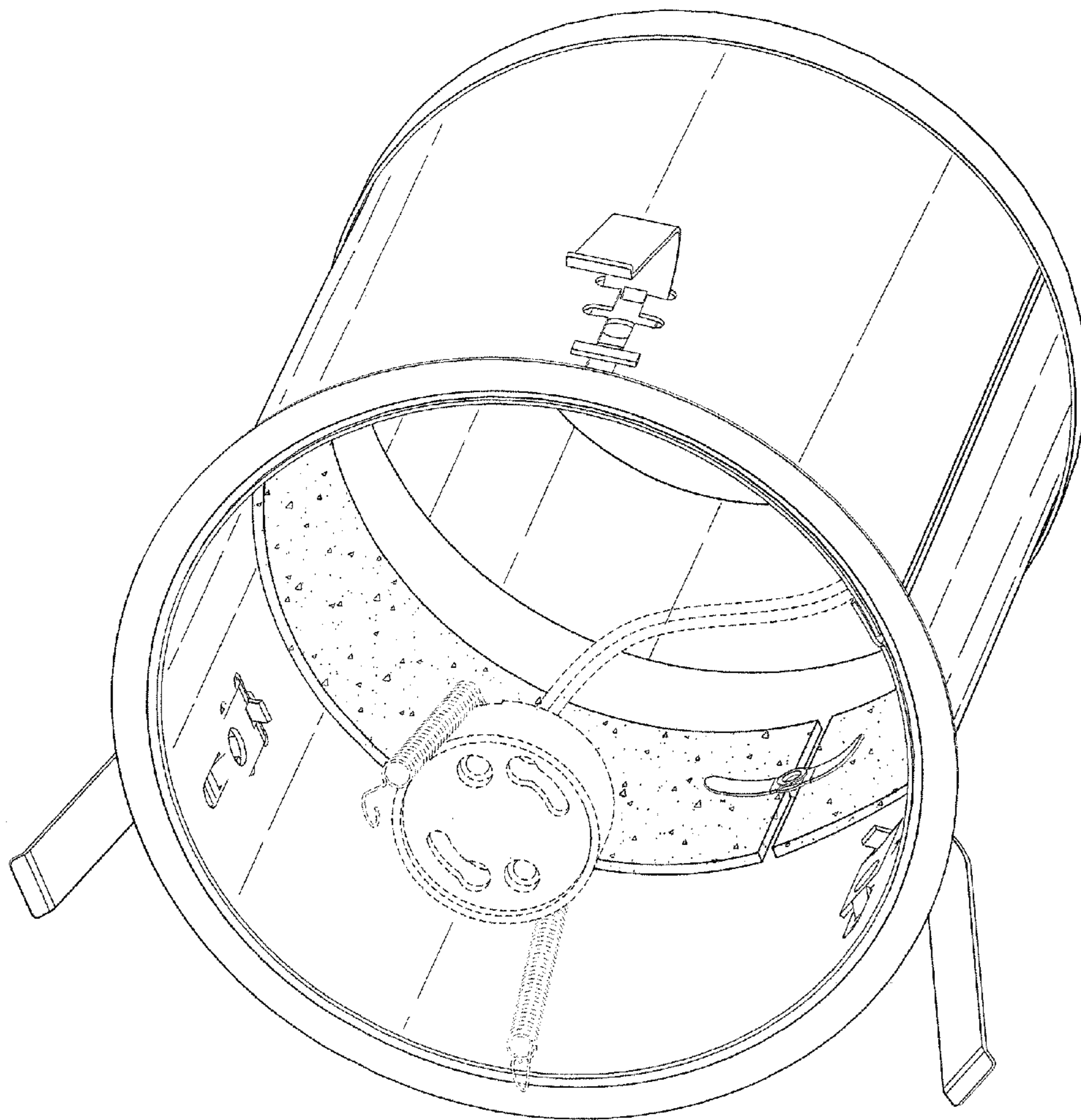


Fig.5