

US00D655435S

(12) **United States Design Patent**
Howis et al.

(10) **Patent No.:** **US D655,435 S**
(45) **Date of Patent:** **** Mar. 6, 2012**

(54) **LED LIGHT FIXTURE WITH
CROSS-MOUNTED MODULES AND
MOUNTING ARM**

(75) Inventors: **Andrew Howis**, London (GB); **Keith
Bradshaw**, Edinburg (GB); **Benz Roos**,
London (GB); **Mark Major**, London
(GB)

(73) Assignee: **Speirs and Major Associates Limited**
(GB)

(**) Term: **14 Years**

(21) Appl. No.: **29/358,480**

(22) Filed: **Mar. 26, 2010**

(51) **LOC (9) Cl.** **26-05**

(52) **U.S. Cl.** **D26/69**

(58) **Field of Classification Search** D26/67-72,
D26/76, 85, 118, 128; 362/220, 239, 240,
362/248, 249.02, 249.03, 249.1, 277, 282,
362/285, 287, 311.02, 372, 431, 432
See application file for complete search history.

(56) **References Cited**

U.S. PATENT DOCUMENTS

D127,890 S	6/1941	Ohm	
D131,710 S *	3/1942	Williams	D26/128
D141,172 S	5/1945	Hallman	
D186,547 S	11/1959	Burton	
D203,294 S *	12/1965	Cianca	D26/71
D203,351 S	12/1965	Bobrick	
D204,558 S *	4/1966	Zeitz	D26/71
3,293,426 A *	12/1966	Zagel et al.	362/221
D255,726 S	7/1980	Leuthesser	
D324,433 S *	3/1992	Camino et al.	D26/67

(Continued)

OTHER PUBLICATIONS

All AEL Series luminaires from Luminaire Lighting Corporation.
Found at luminairelighting.com, visited Jun. 27, 2008.*

(Continued)

Primary Examiner — Clare E Heflin

(74) *Attorney, Agent, or Firm* — Jansson Shupe & Munger
Ltd.

(57) **CLAIM**

The ornamental design for an LED lighting fixture with cross-
mounted modules and mounting arm, as shown and
described.

DESCRIPTION

FIG. 1 is a perspective view from below of the LED lighting
fixture with cross-mounted modules and mounting arm, the
details of the underside of each module and a pole being
shown in phantom lines;

FIG. 2 is a perspective view from above of the LED lighting
fixture with cross-mounted modules and mounting arm of
FIG. 1;

FIG. 3 is a rear elevation view of the LED lighting fixture with
cross-mounted modules and mounting arm of FIG. 1;

FIG. 4 is a front elevation view of the LED lighting fixture
with cross-mounted modules and mounting arm of FIG. 1;

FIG. 5 is a bottom plan view of the LED lighting fixture with
cross-mounted modules and mounting arm of FIG. 1;

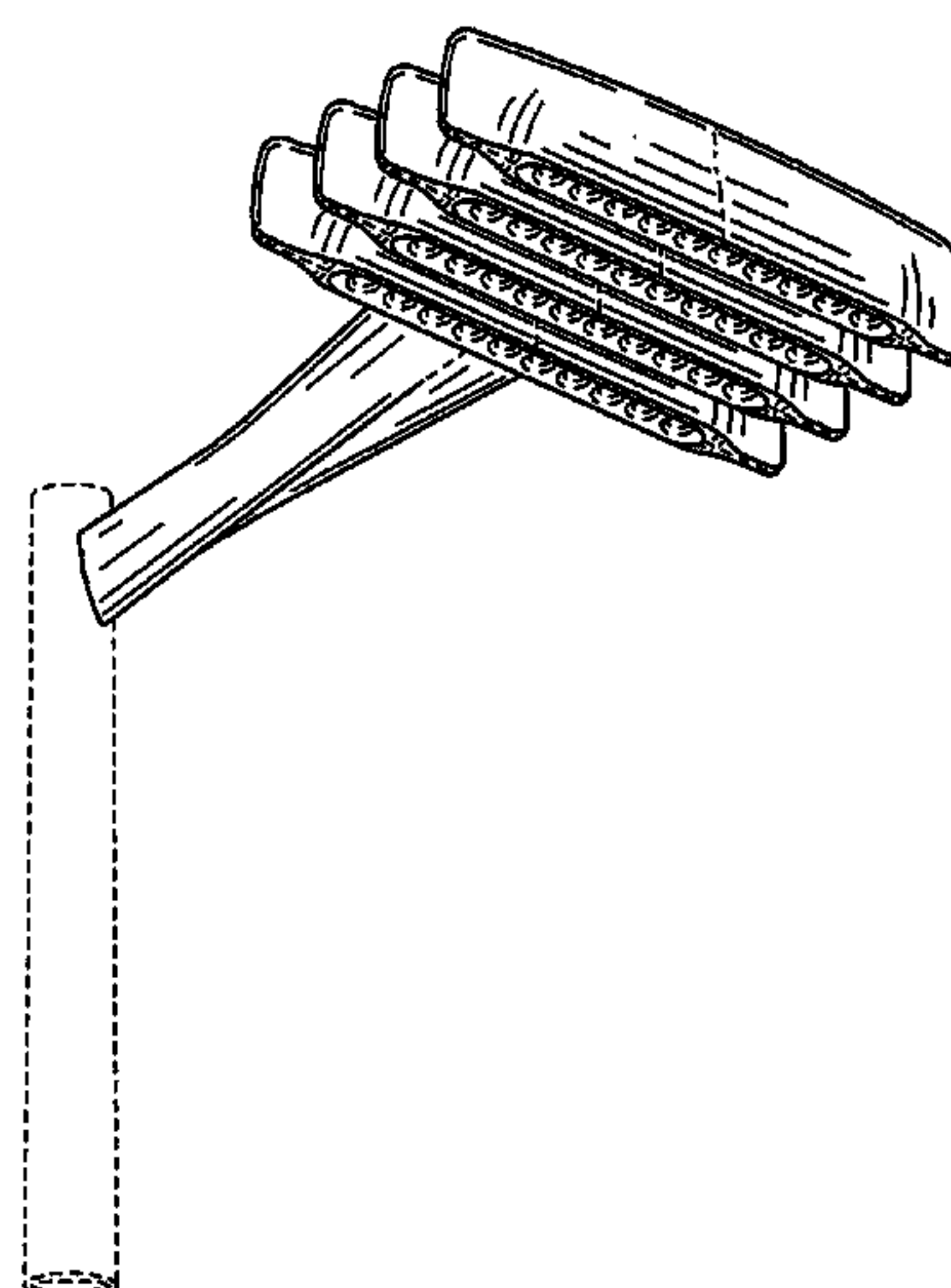
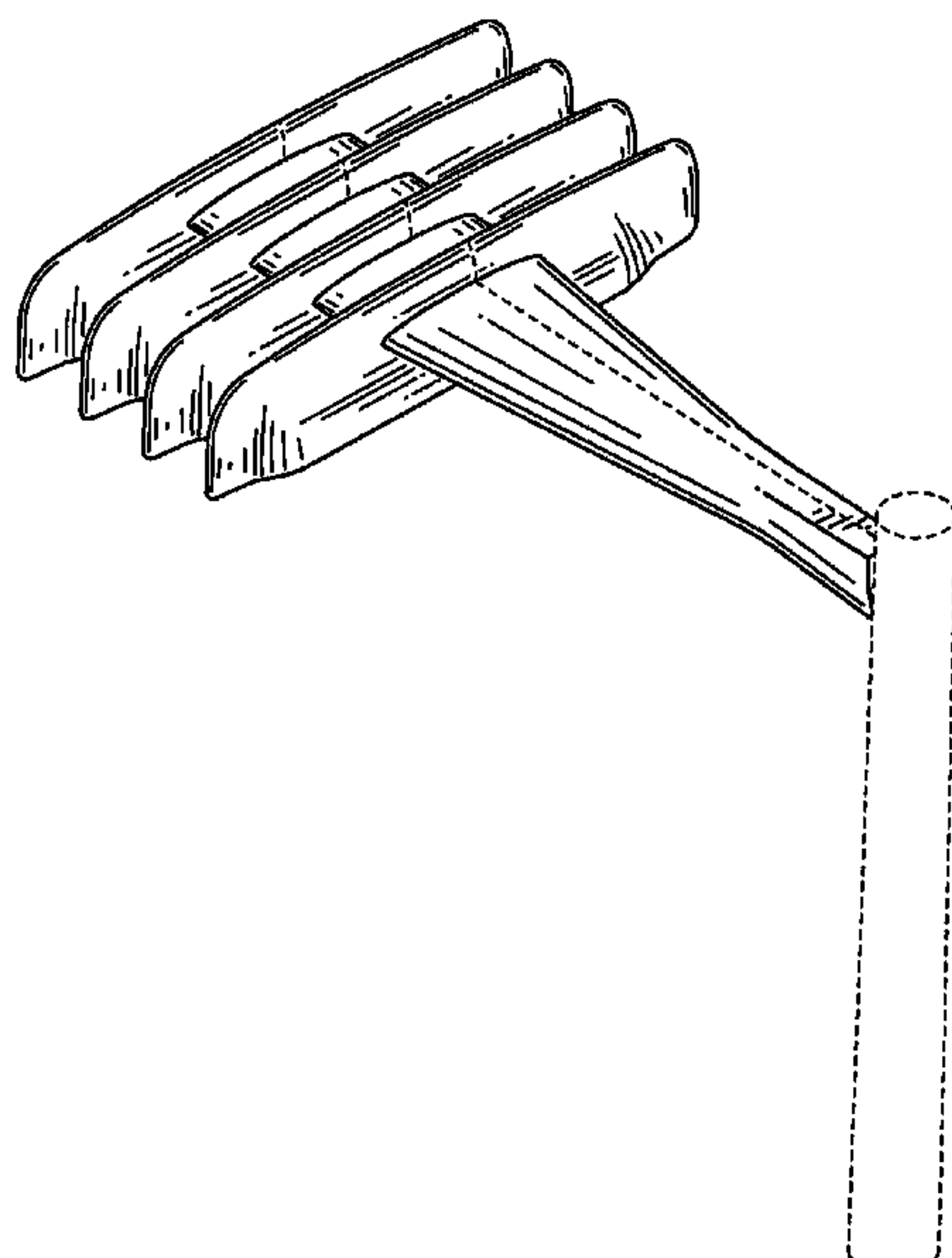
FIG. 6 is a top plan view of the LED lighting fixture with
cross-mounted modules and mounting arm of FIG. 1;

FIG. 7 is a side elevation view of the LED lighting fixture with
cross-mounted modules and mounting arm of FIG. 1, the
opposite side elevation being a mirror image thereof; and,

FIG. 8 is another a perspective view from below of the LED
lighting fixture with cross-mounted modules and mounting
arm of FIG. 1.

The structures shown in broken lines represent environment
only and form no part of the claimed design.

1 Claim, 8 Drawing Sheets



US D655,435 S

Page 2

U.S. PATENT DOCUMENTS

D389,263	S	1/1998	Kuo	
D464,161	S	10/2002	Nourishad	
D464,162	S	10/2002	Segretto	
D480,830	S *	10/2003	Sieczkowski	D26/118
D493,565	S *	7/2004	Smith et al.	D26/118
D512,526	S *	12/2005	Zucker	D26/76
D519,237	S	4/2006	Kopp	
D584,444	S *	1/2009	Lipson	D26/85
D611,181	S *	3/2010	Tsai et al.	D26/71
D617,935	S *	6/2010	Miletich et al.	D26/76
D621,987	S *	8/2010	Tsai et al.	D26/69

OTHER PUBLICATIONS

Ludwigsburg Wall Sconce. Excerpt from www.interior-deluxe.com.
2 pages. Date: Copyright 2004.

Slice Wall Sconce. Excerpt from www.interior-deluxe.com. 2 pages.
Date: Copyright 2004.

Gondola Wall Sconce. Excerpt from www.interior-deluxe.com. 2
pages. Date: Copyright 2004.

* cited by examiner

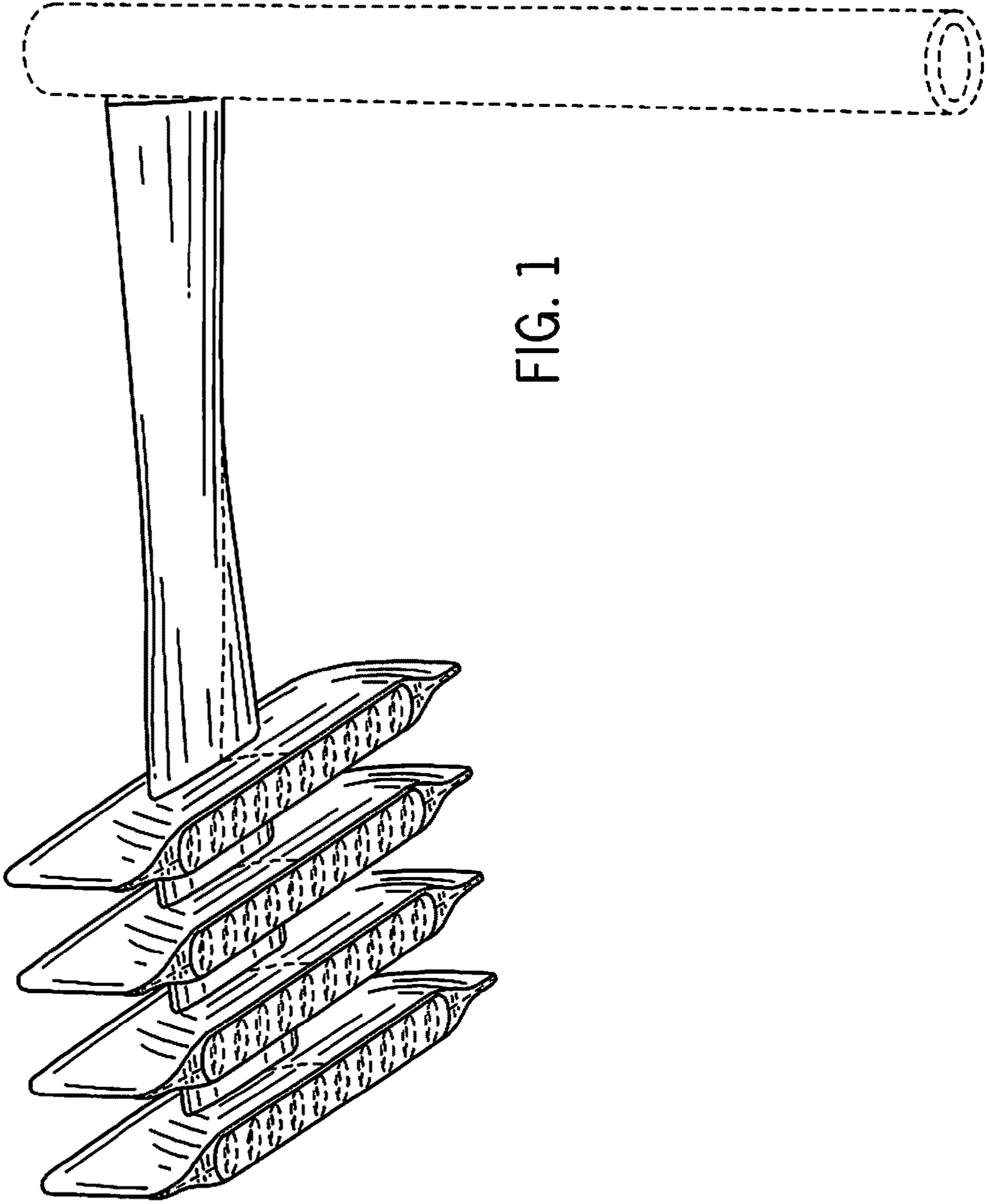


FIG. 1

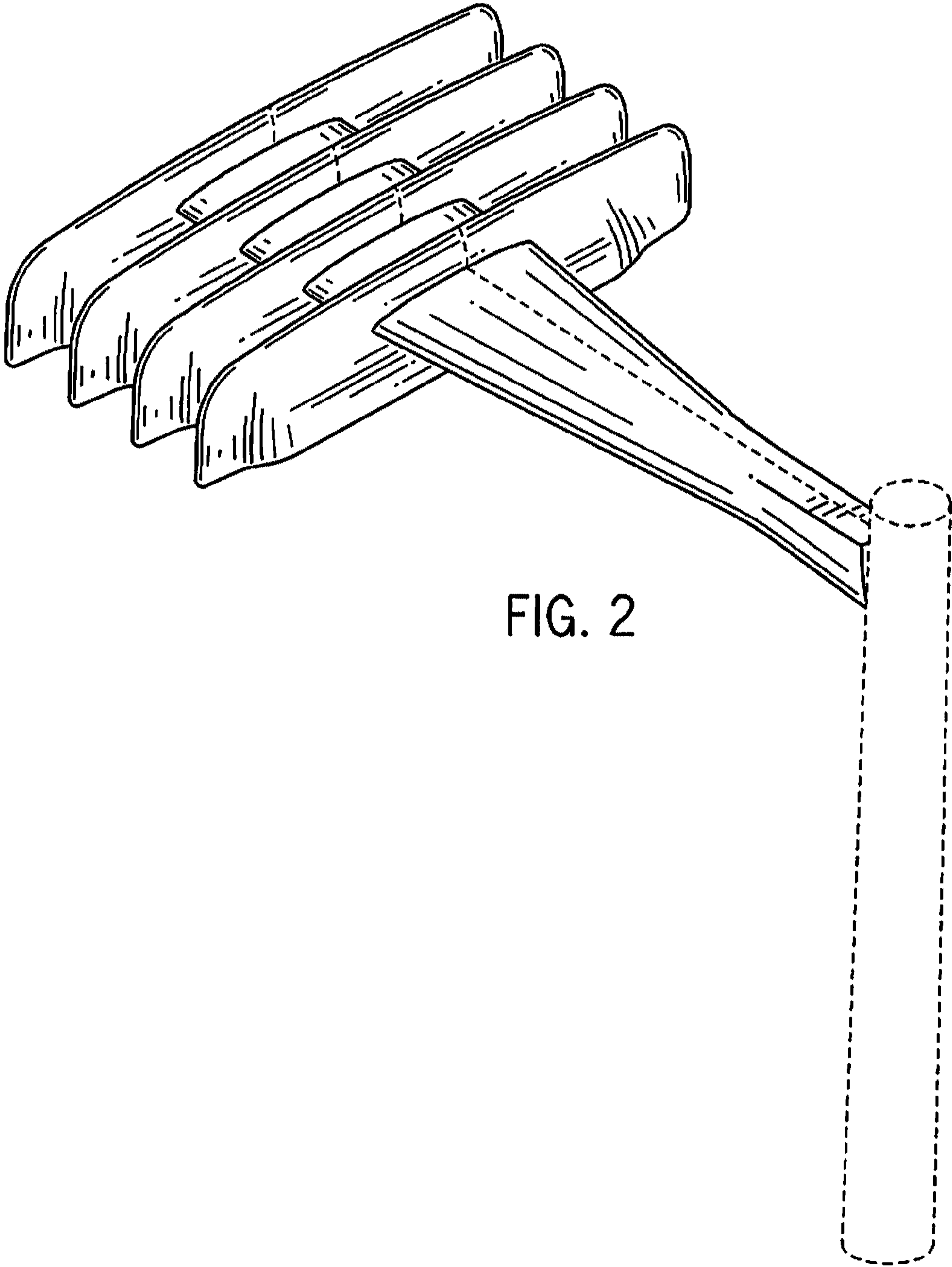


FIG. 2

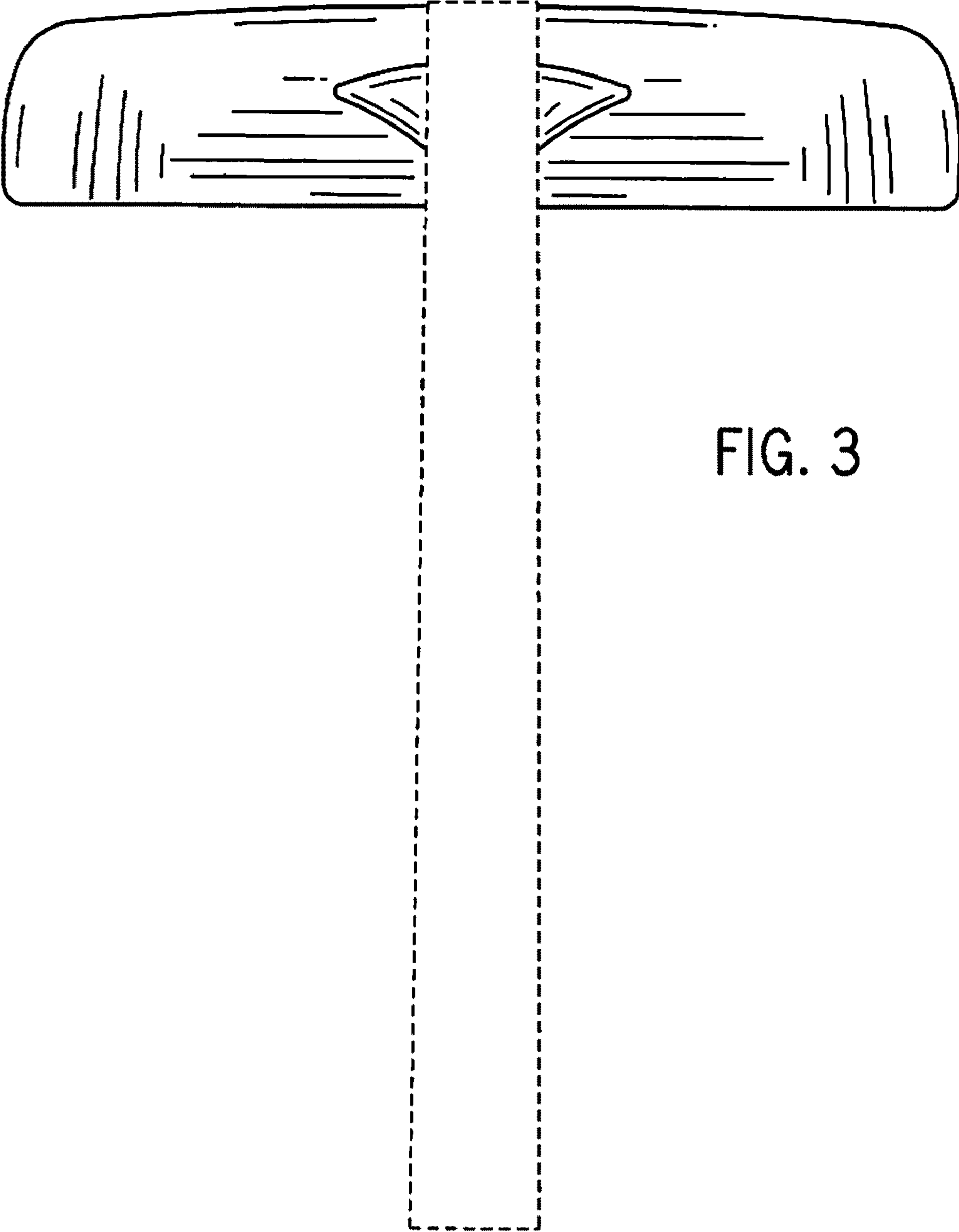


FIG. 3

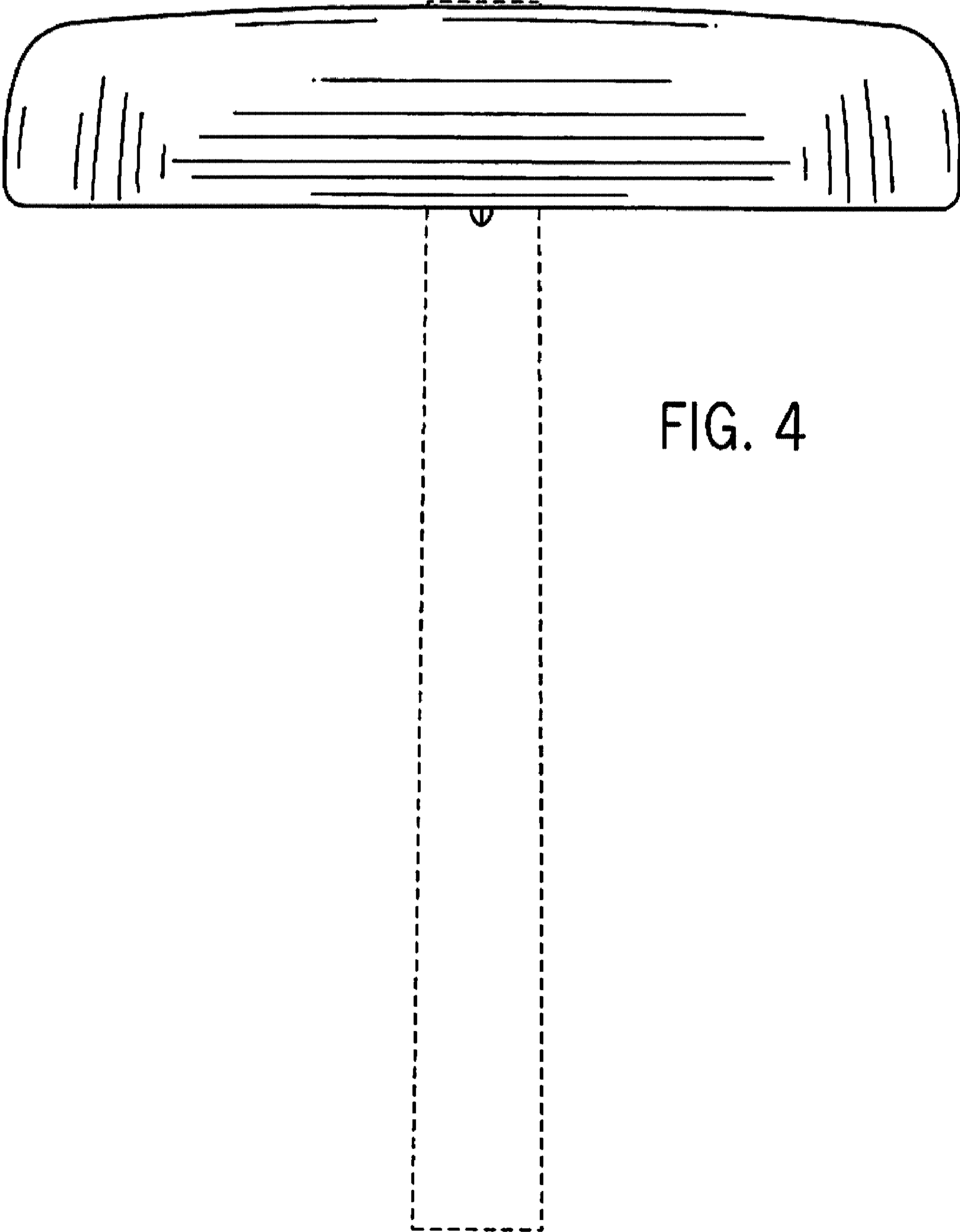


FIG. 4

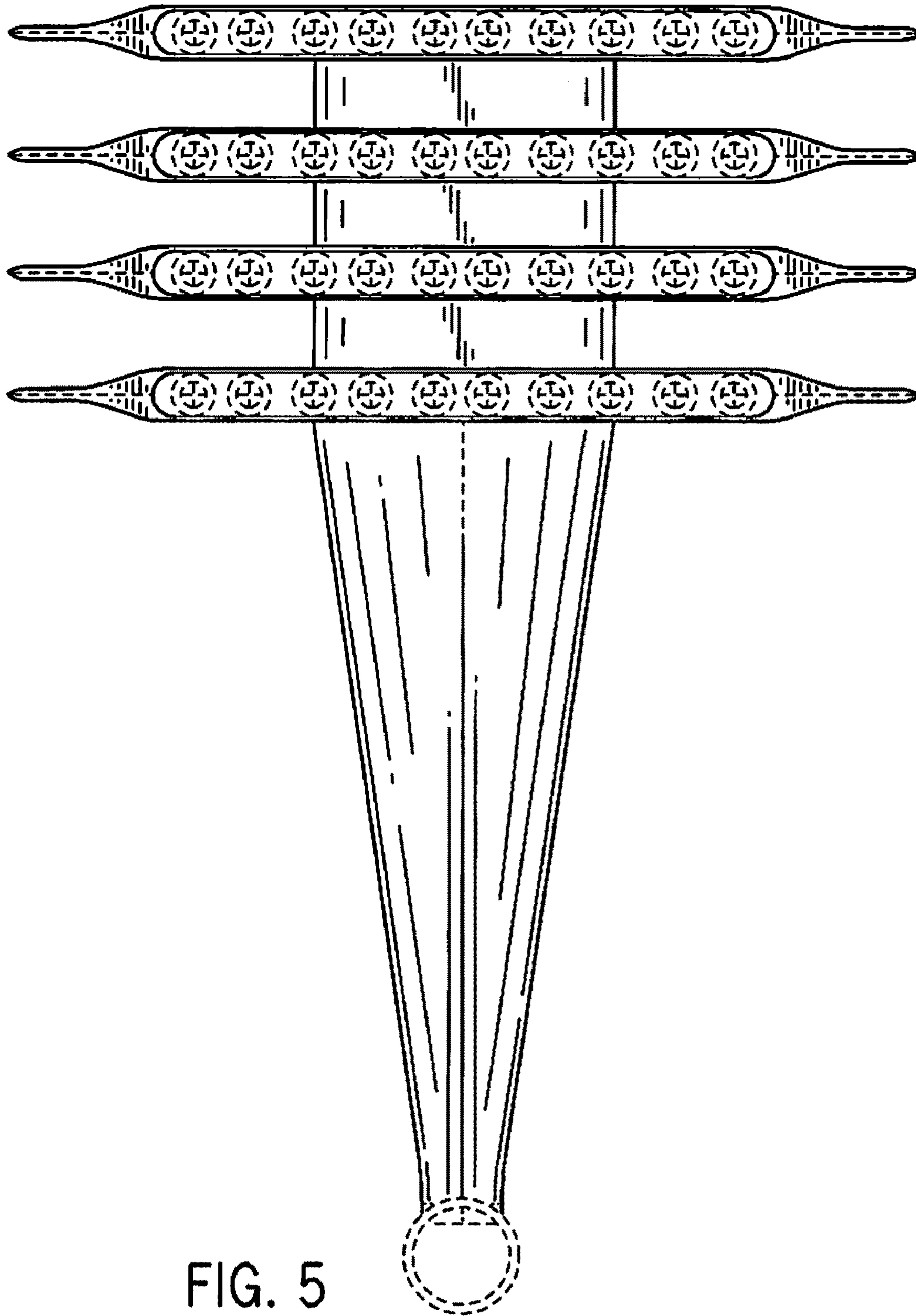


FIG. 5

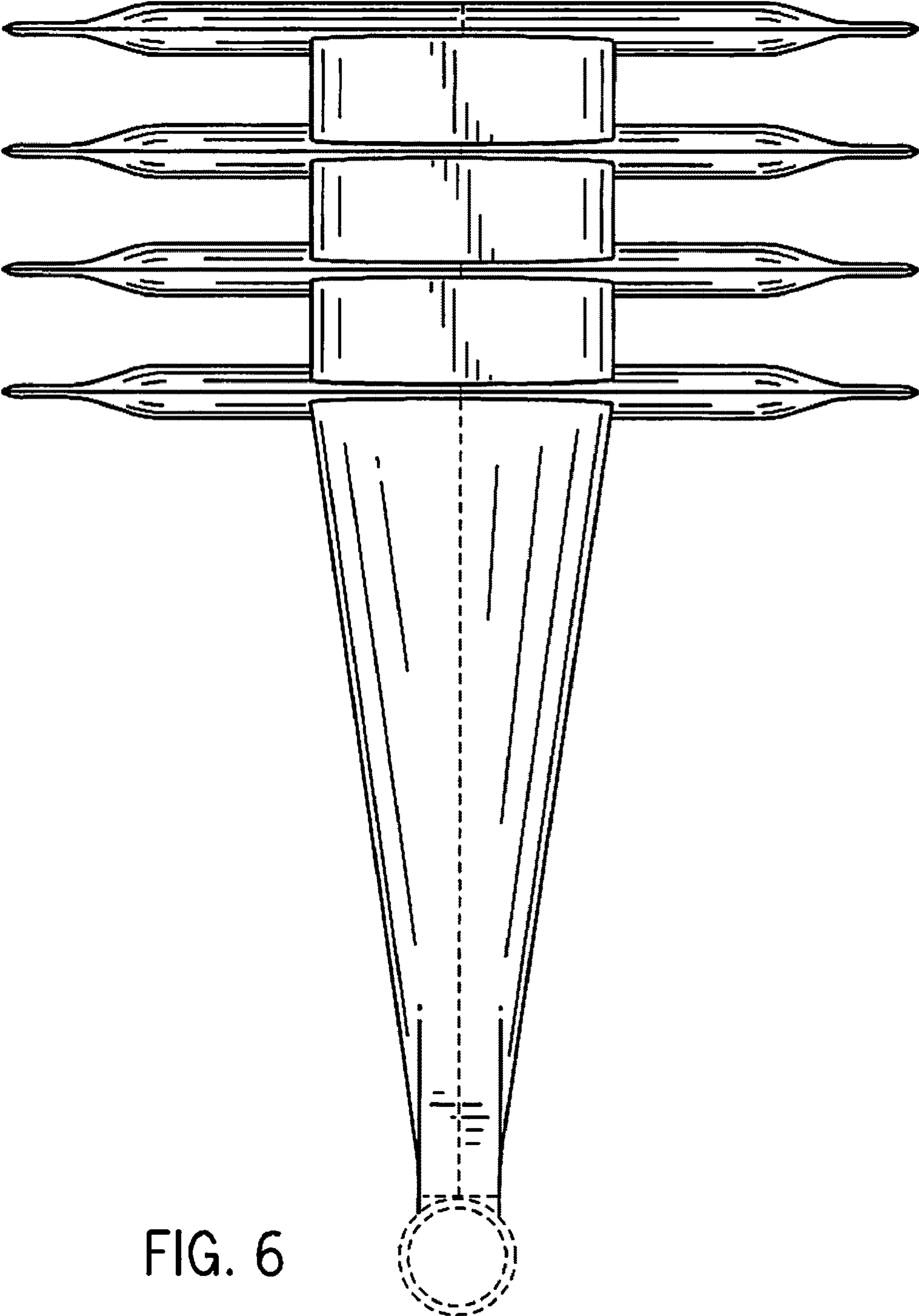


FIG. 6

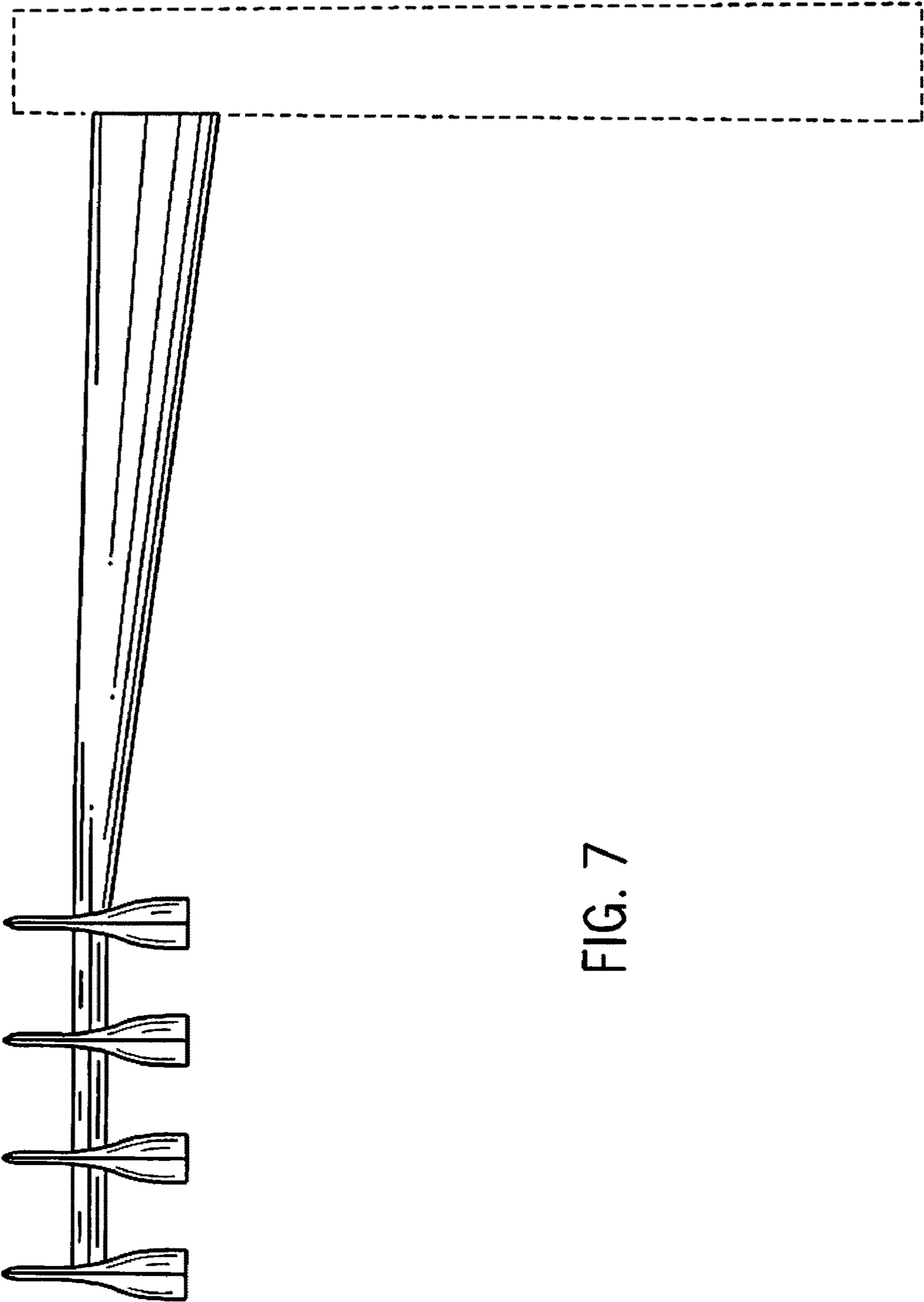


FIG. 7

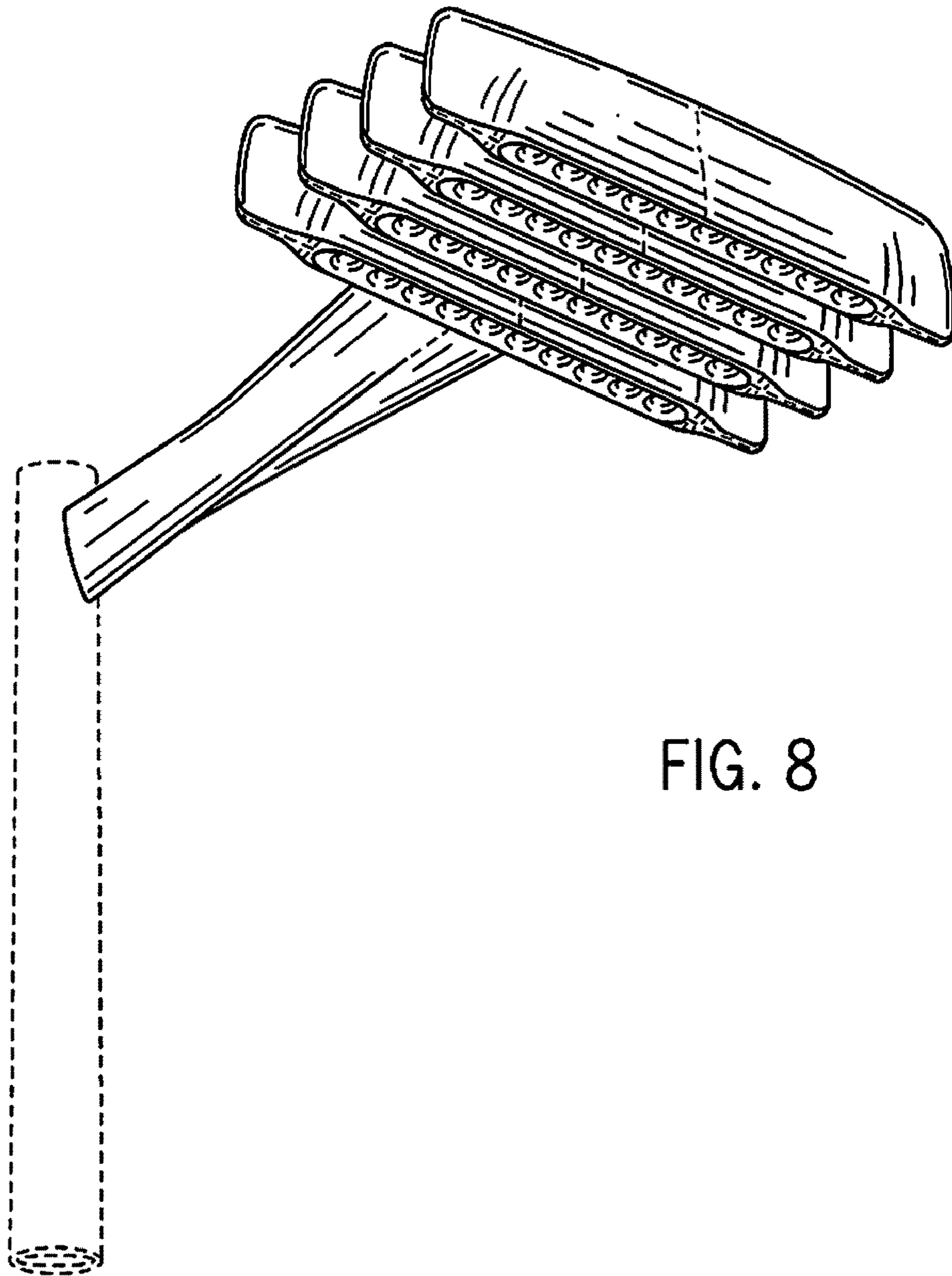


FIG. 8