



US00D655432S

(12) **United States Design Patent**
Beghelli

(10) **Patent No.:** **US D655,432 S**
(45) **Date of Patent:** **** Mar. 6, 2012**

(54) **LIGHTING APPARATUS**

(75) Inventor: **Gian Pietro Beghelli**, Monteveglio (IT)

(73) Assignee: **Beghelli S.p.A.**, Monteveglio (Bologna) (IT)

(**) Term: **14 Years**

(21) Appl. No.: **29/376,905**

(22) Filed: **Oct. 13, 2010**

(30) **Foreign Application Priority Data**

Apr. 14, 2010 (EM) 00169563-0005

(51) **LOC (9) Cl.** **26-05**

(52) **U.S. Cl.** **D26/63**

(58) **Field of Classification Search** D26/60-66,
D26/72-92, 118-121; 362/145, 147, 211,
362/213, 220, 219, 217.01, 225, 217.1, 217.11-217.17,
362/640, 227, 232, 235-240, 249.01, 249.03,
362/249.07, 249.1, 249.11, 260, 268, 269,
362/273, 277-285, 287, 322, 362, 368, 370-372,
362/404, 418, 427, 432, 449, 800, 430, 133
See application file for complete search history.

(56) **References Cited**

U.S. PATENT DOCUMENTS

D121,420	S	*	7/1940	MacCarthy	D26/78
D291,598	S	*	8/1987	Elkerbout	D24/210
5,412,549	A	*	5/1995	Blakely	362/218
5,440,470	A	*	8/1995	Ly	362/341
5,588,738	A	*	12/1996	Meoli	362/184
5,726,722	A	*	3/1998	Uehara et al.	349/66
5,803,589	A	*	9/1998	Lee	362/225
D442,286	S	*	5/2001	Dumas	D24/210
D468,045	S	*	12/2002	Albright	D26/73
6,676,276	B2	*	1/2004	Stephens	362/260

D574,094	S	*	7/2008	Kitagawa et al.	D26/3
D592,784	S	*	5/2009	van den Dool	D26/75
D630,785	S	*	1/2011	Kim et al.	D26/63
D643,571	S	*	8/2011	Chen	D26/118

OTHER PUBLICATIONS

Beghelli Maya Design lamp. [Retrieved on Apr. 22, 2011]. Retrieved from the Internet <URL: <http://www.eprice.it/Torce-elettriche-BEGHELLI/s-2498158>. (c) 2000-2009.*

* cited by examiner

Primary Examiner — Susan M Lee

Assistant Examiner — Linda G. Brooks

(74) *Attorney, Agent, or Firm* — Hedman & Costigan, P.C.; Kathleen A. Costigan

(57) **CLAIM**

I claim the ornamental design for a lighting apparatus, as shown and described.

DESCRIPTION

FIG. 1 is a front view of a lighting apparatus according to the present invention;
FIG. 2 is a back view of the lighting apparatus according to the present invention;
FIG. 3 is a right side view of the lighting apparatus according to the present invention;
FIG. 4 is a left side view of the lighting apparatus according to the present invention;
FIG. 5 is a top view of the lighting apparatus according to the present invention; and,
FIG. 6 is a bottom view of the lighting apparatus according to the present invention.
The broken lines illustrate unclaimed portions of the lighting apparatus.

1 Claim, 6 Drawing Sheets



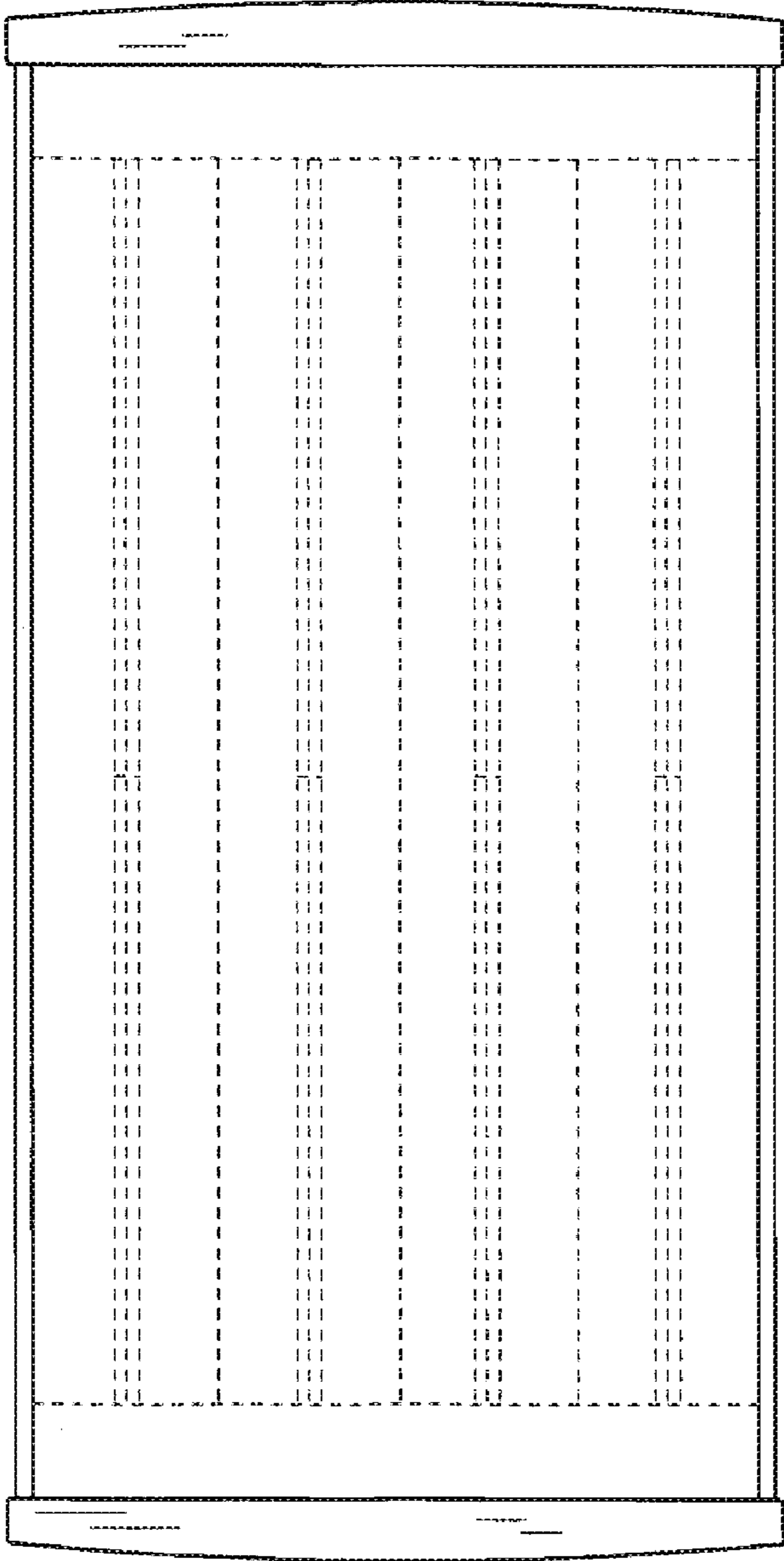


FIG. 1

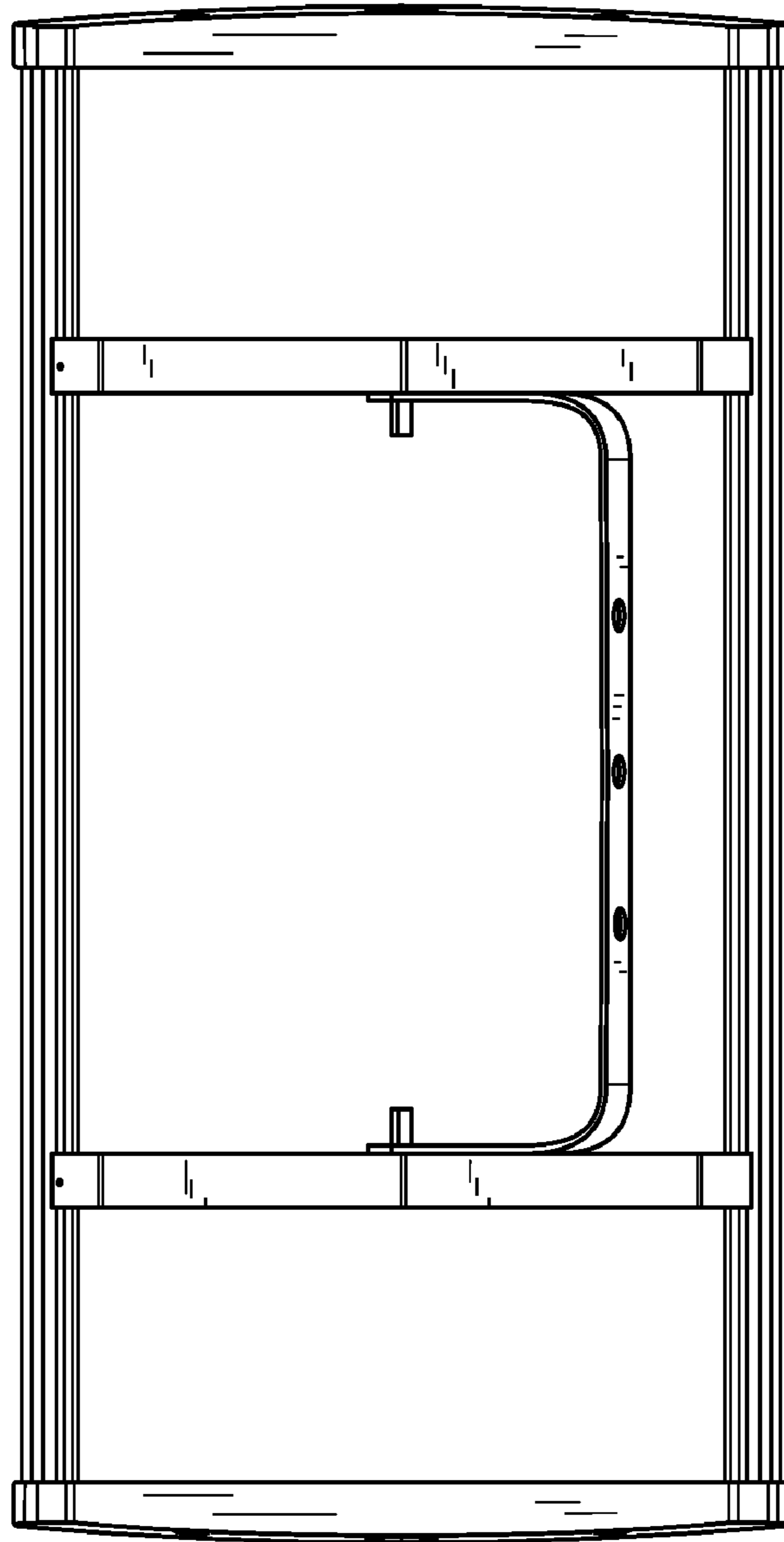


FIG. 2

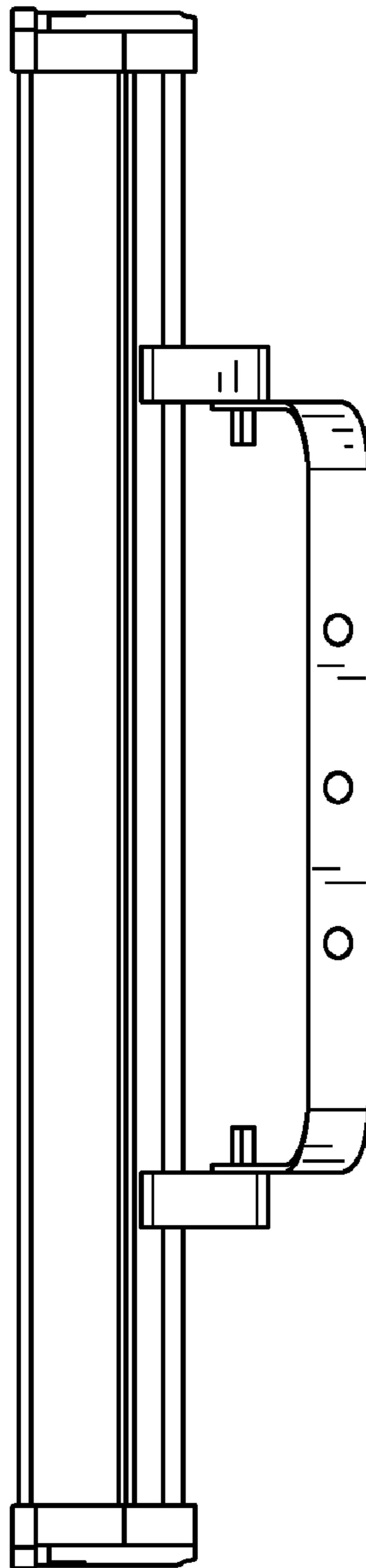


FIG. 3

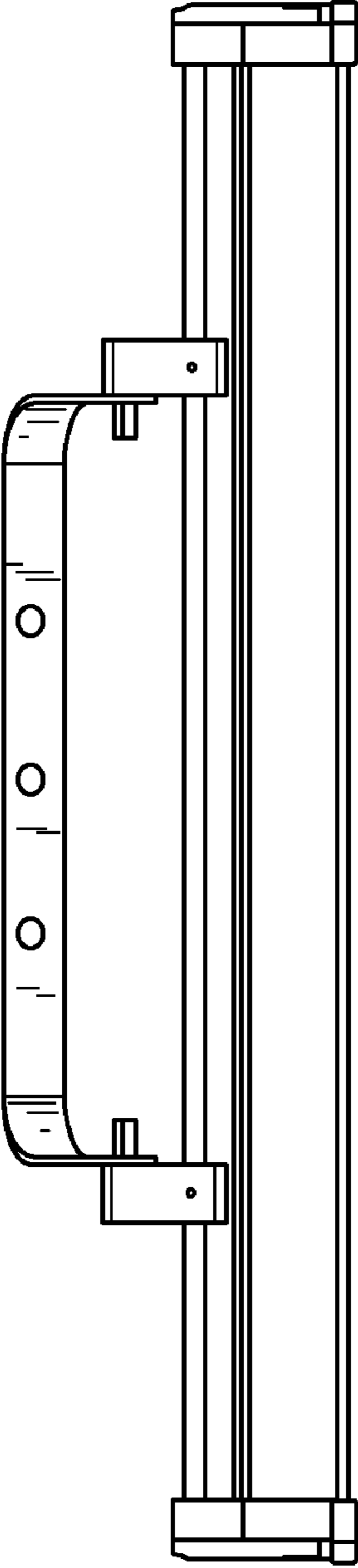


FIG. 4

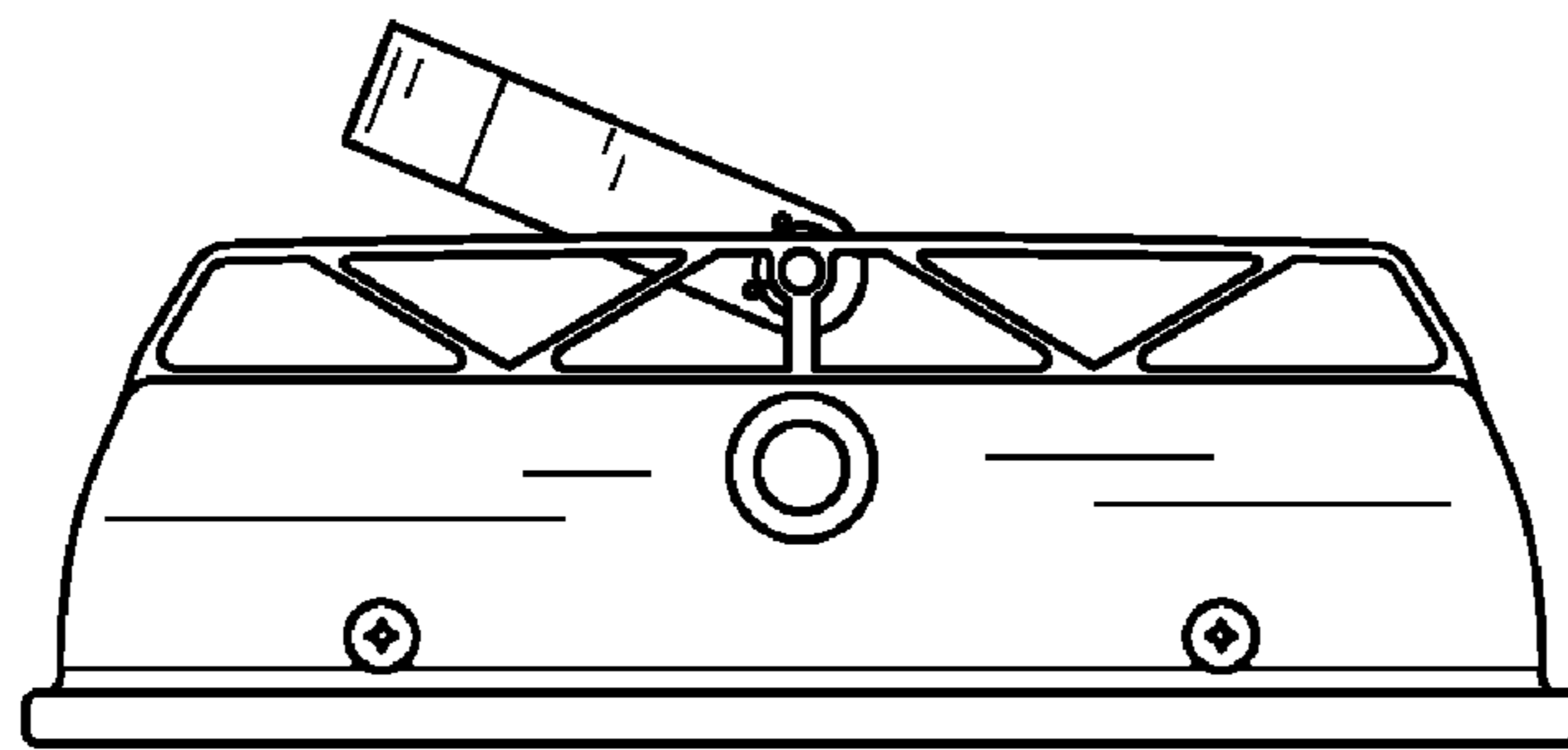


FIG. 5

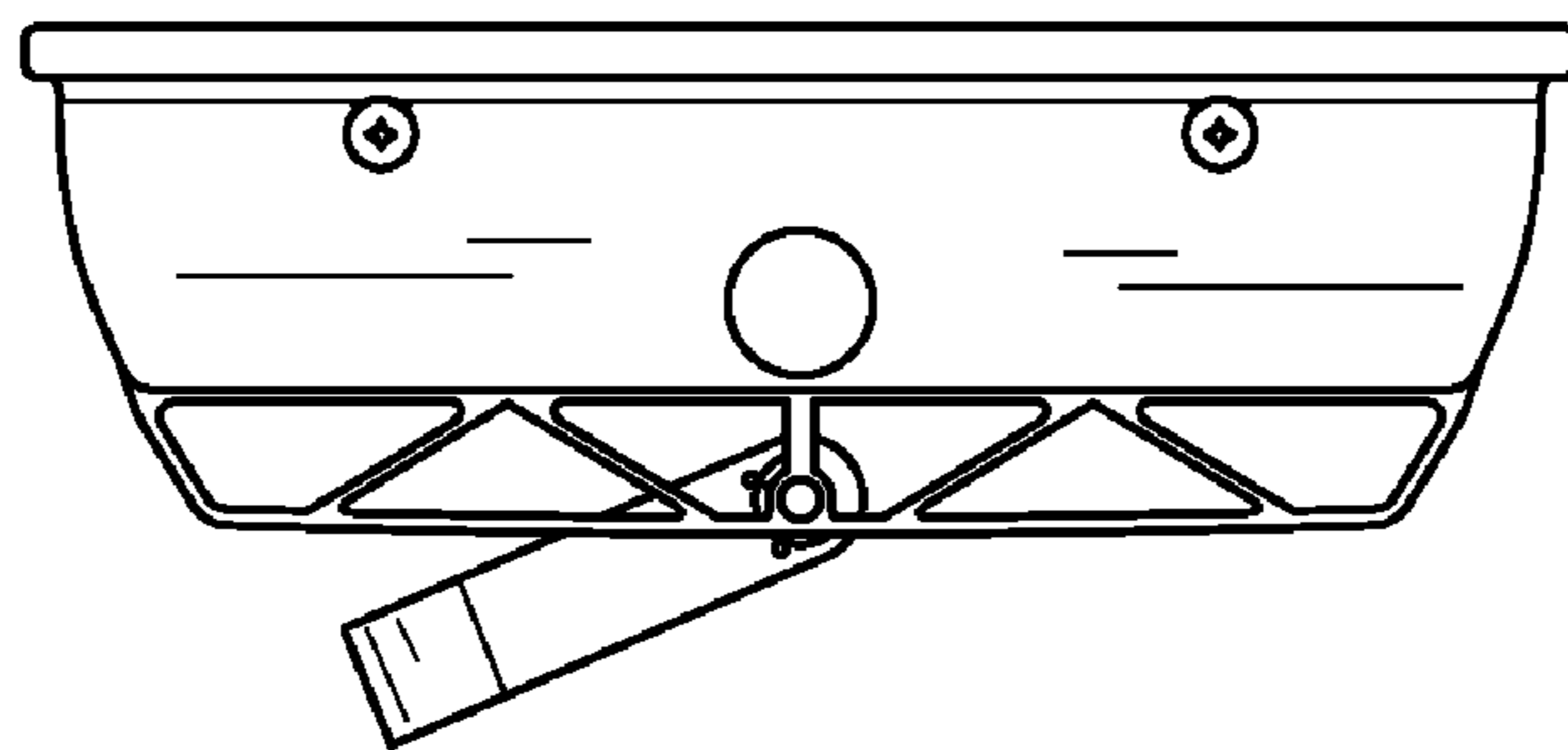


FIG. 6