



US00D655428S

(12) **United States Design Patent**  
**Stull**

(10) **Patent No.:** **US D655,428 S**

(45) **Date of Patent:** **\*\* Mar. 6, 2012**

(54) **GATE POST**

5,695,174 A \* 12/1997 Tsai ..... 256/22  
D416,333 S \* 11/1999 Stansfield ..... D25/126

(75) Inventor: **Edward J. Stull**, Oxford, MI (US)

\* cited by examiner

(73) Assignee: **Turnstyle Intellectual Property, LLC**,  
Georgetown, SC (US)

*Primary Examiner* — Doris Clark

(74) *Attorney, Agent, or Firm* — Carlson, Gaskey & Olds,  
P.C.

(\*\*) Term: **14 Years**

(57) **CLAIM**

The ornamental design for a gate post, as shown and  
described.

(21) Appl. No.: **29/359,354**

**DESCRIPTION**

(22) Filed: **Apr. 9, 2010**

(51) **LOC (9) Cl.** ..... **25-01**

(52) **U.S. Cl.** ..... **D25/126**

(58) **Field of Classification Search** ..... D25/126;  
256/22, 19, 65.02, 65.14

See application file for complete search history.

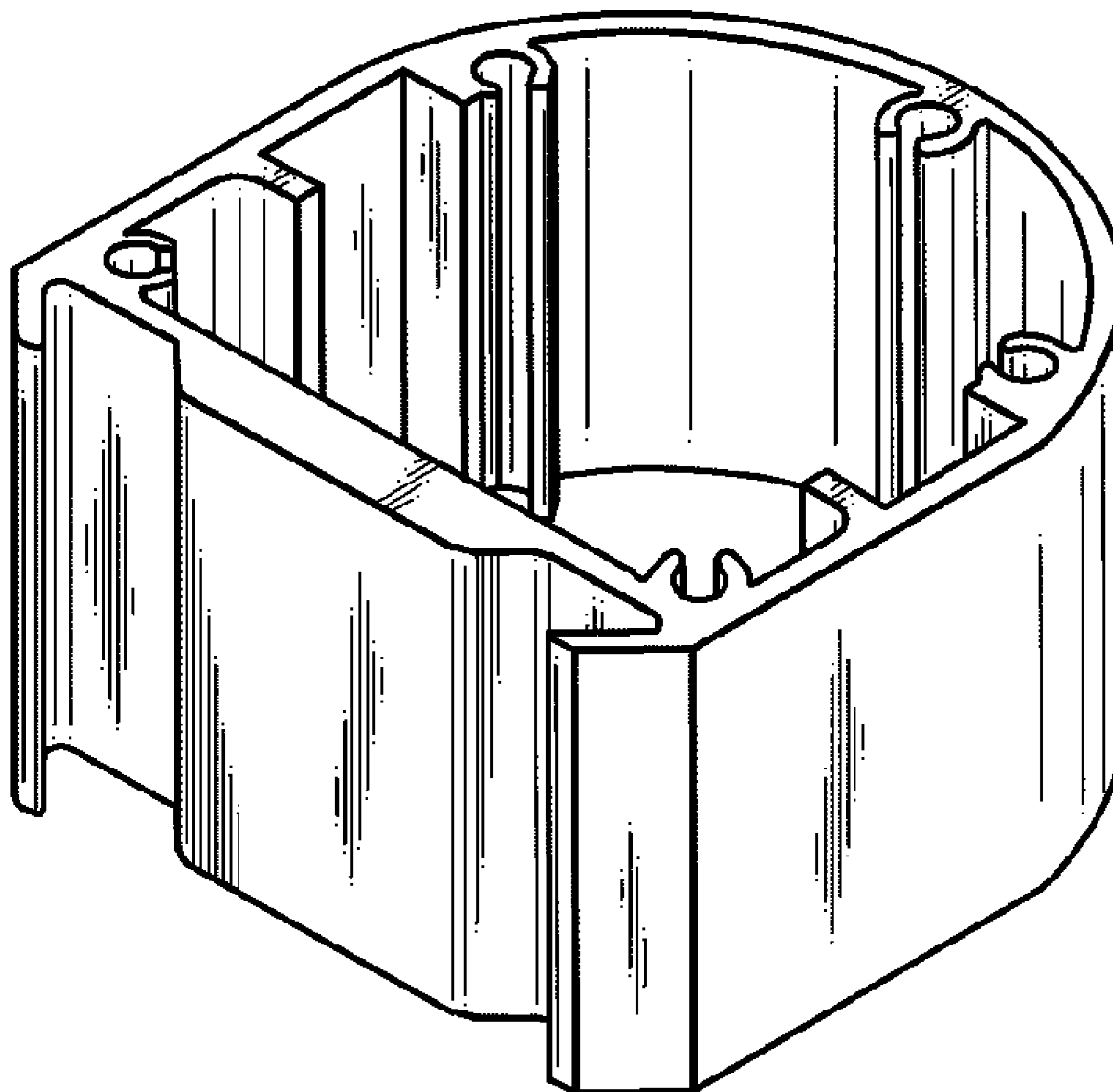
FIG. 1 is a top view of the gate post.  
FIG. 2 is a perspective view of the gate post.  
FIG. 3 is a front view of the gate post.  
FIG. 4 is a back view of the gate post.  
FIG. 5 is a cross-sectional view of another gate post.  
FIG. 6 is a perspective view of the gate post shown in FIG. 5.  
FIG. 7 is a front view of the gate post shown in FIG. 5; and,  
FIG. 8 is a rear view of the gate post shown in FIG. 5.

(56) **References Cited**

**U.S. PATENT DOCUMENTS**

4,073,477 A \* 2/1978 Walters ..... 256/22

**1 Claim, 2 Drawing Sheets**



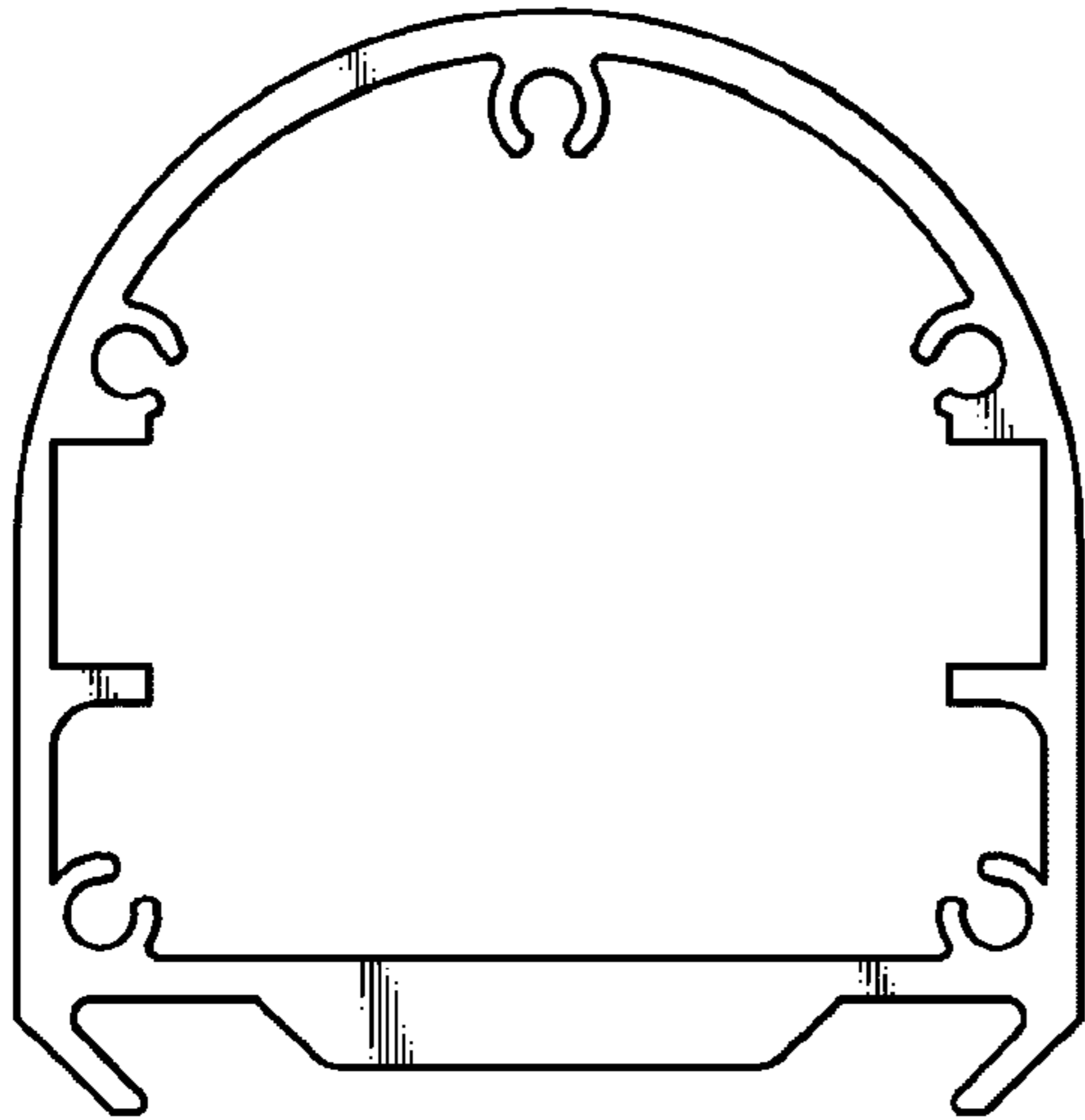


FIG.1

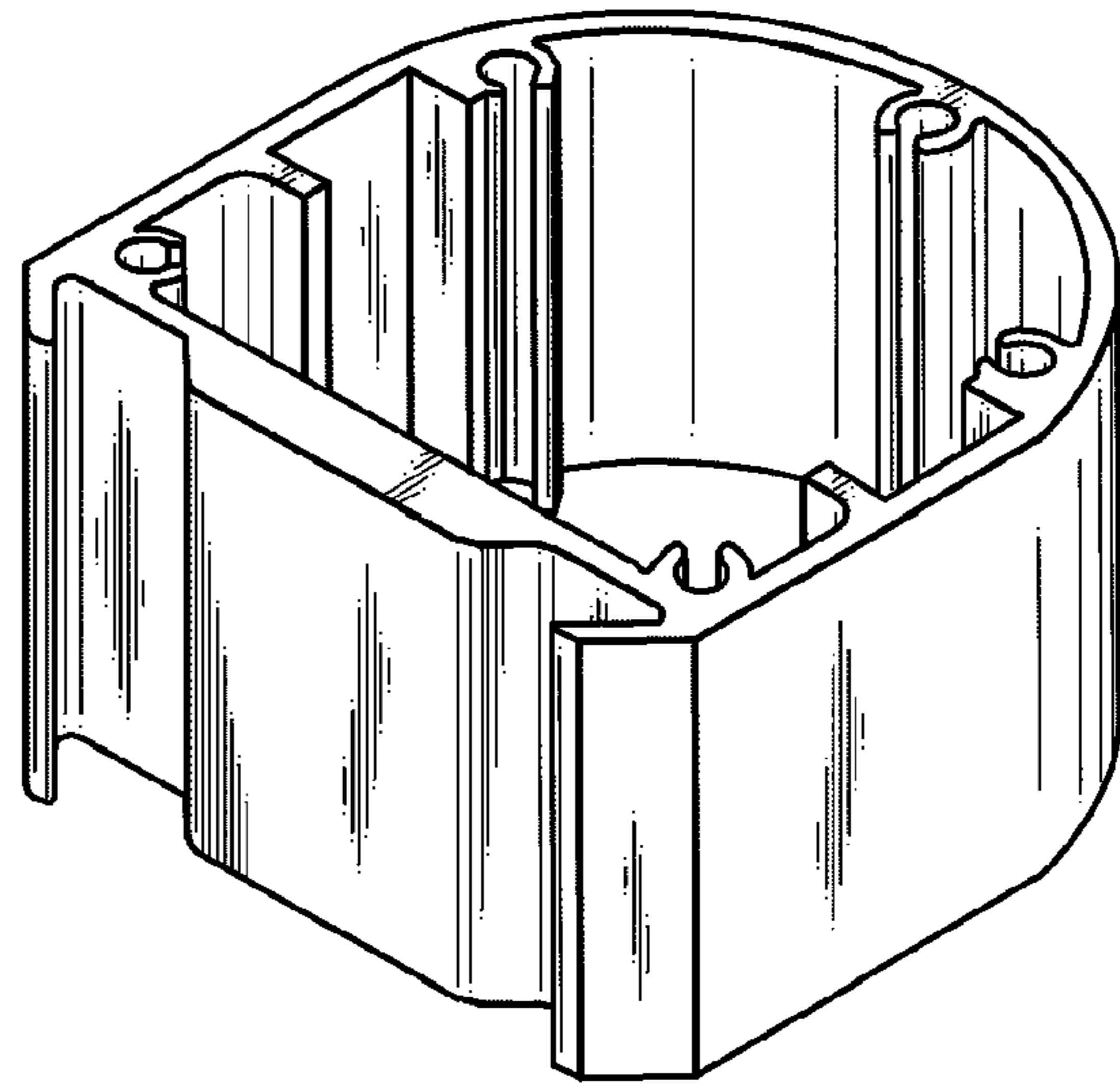


FIG.2

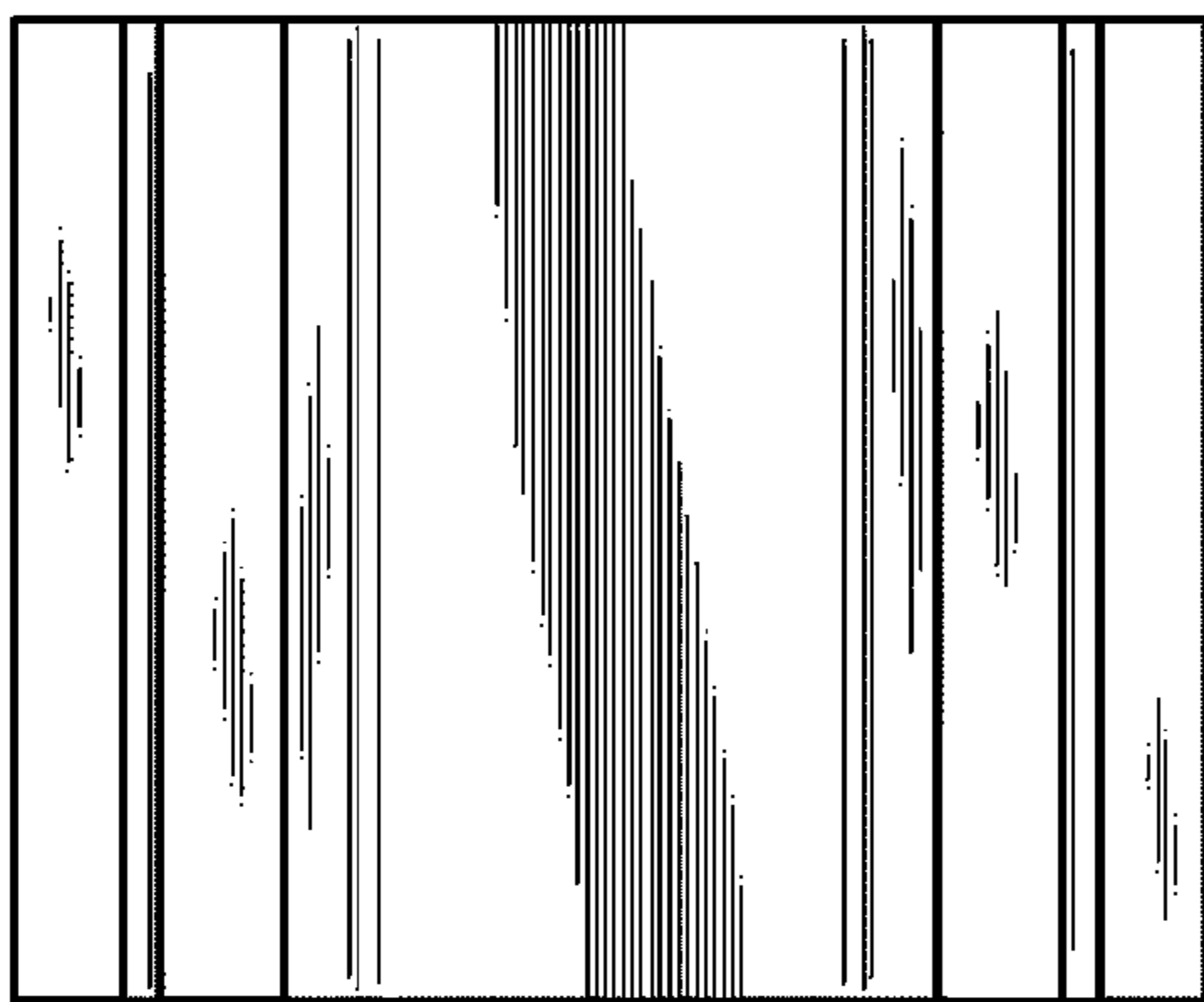


FIG.3

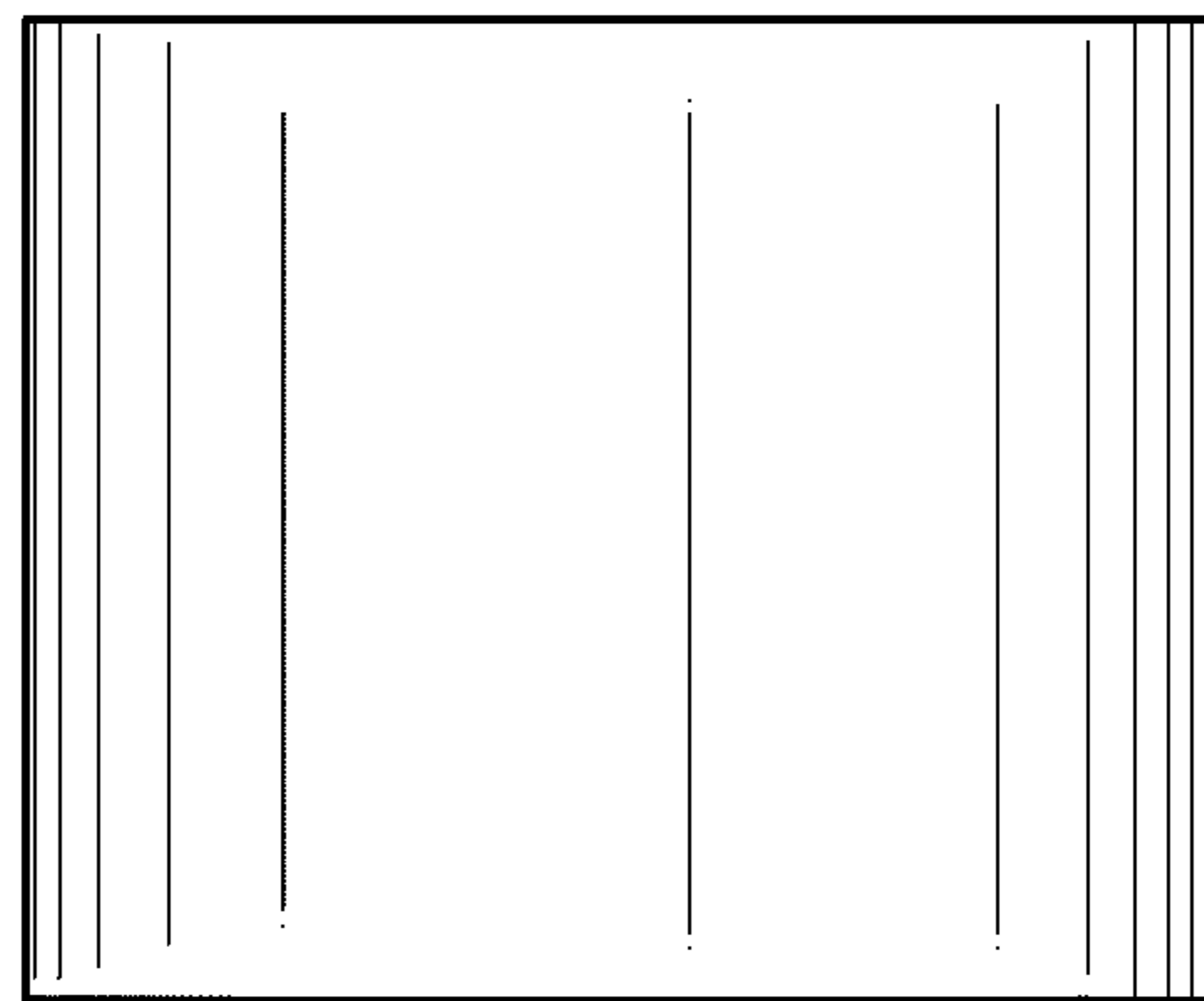


FIG.4

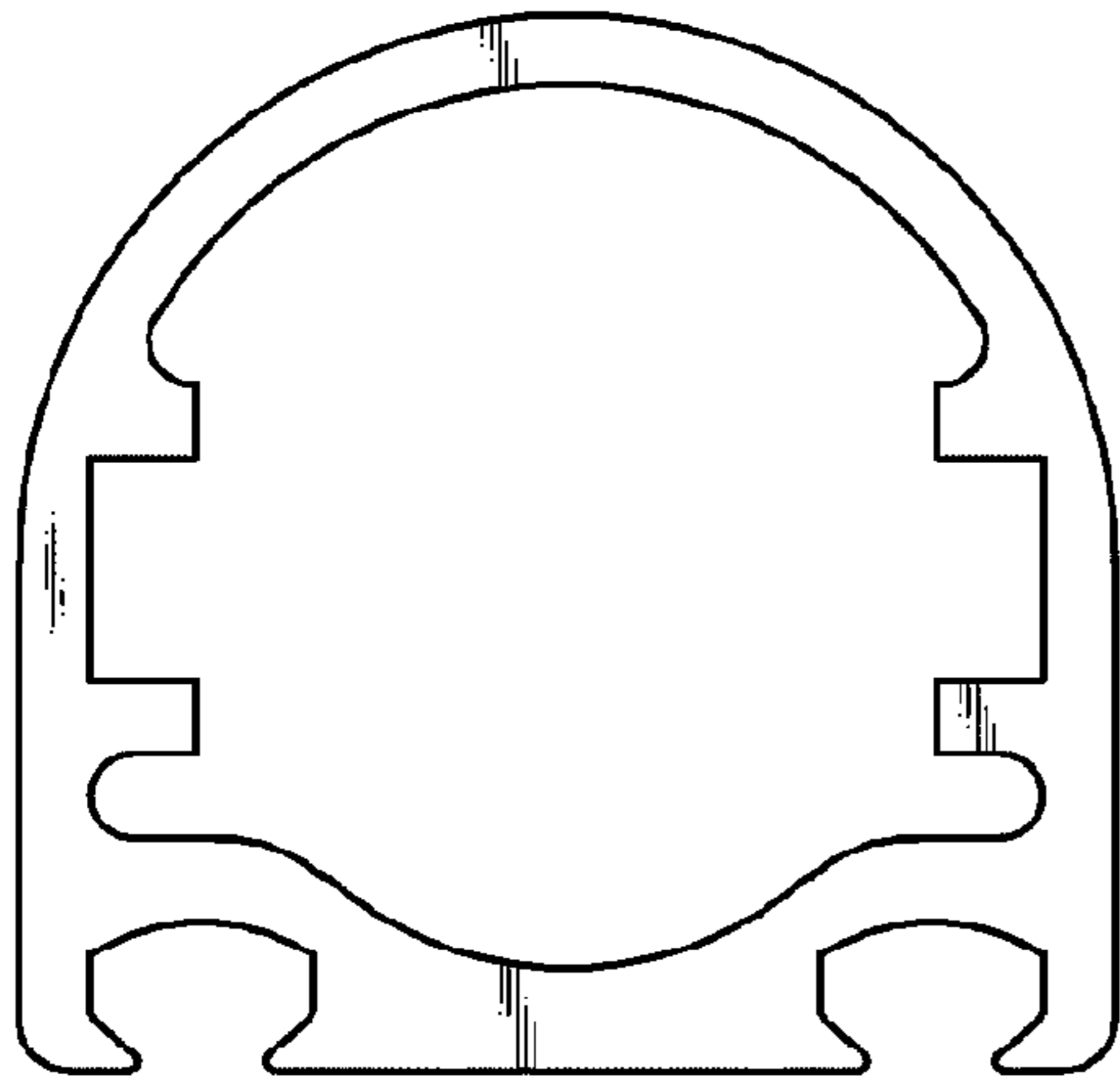


FIG. 5

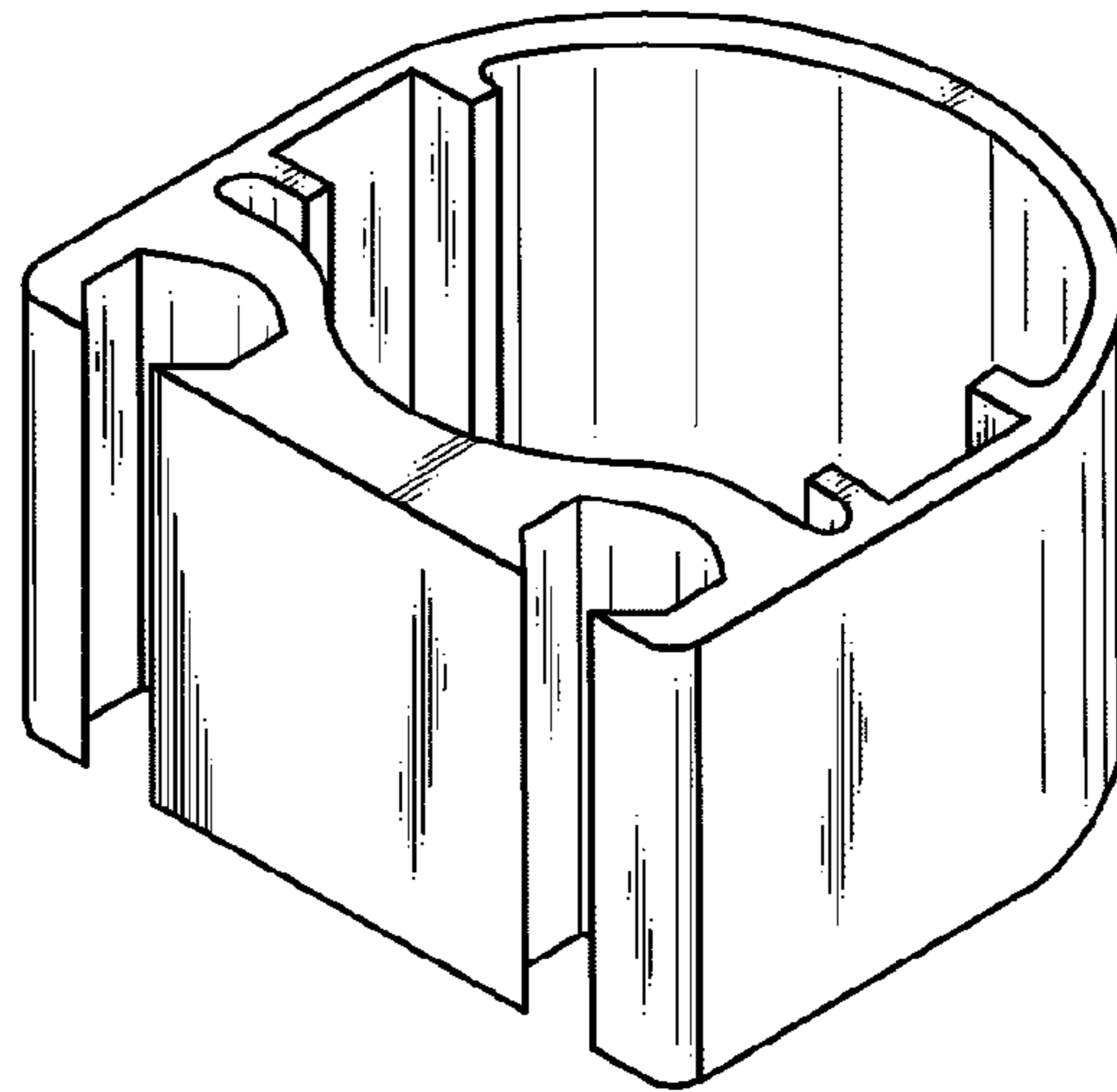


FIG. 6

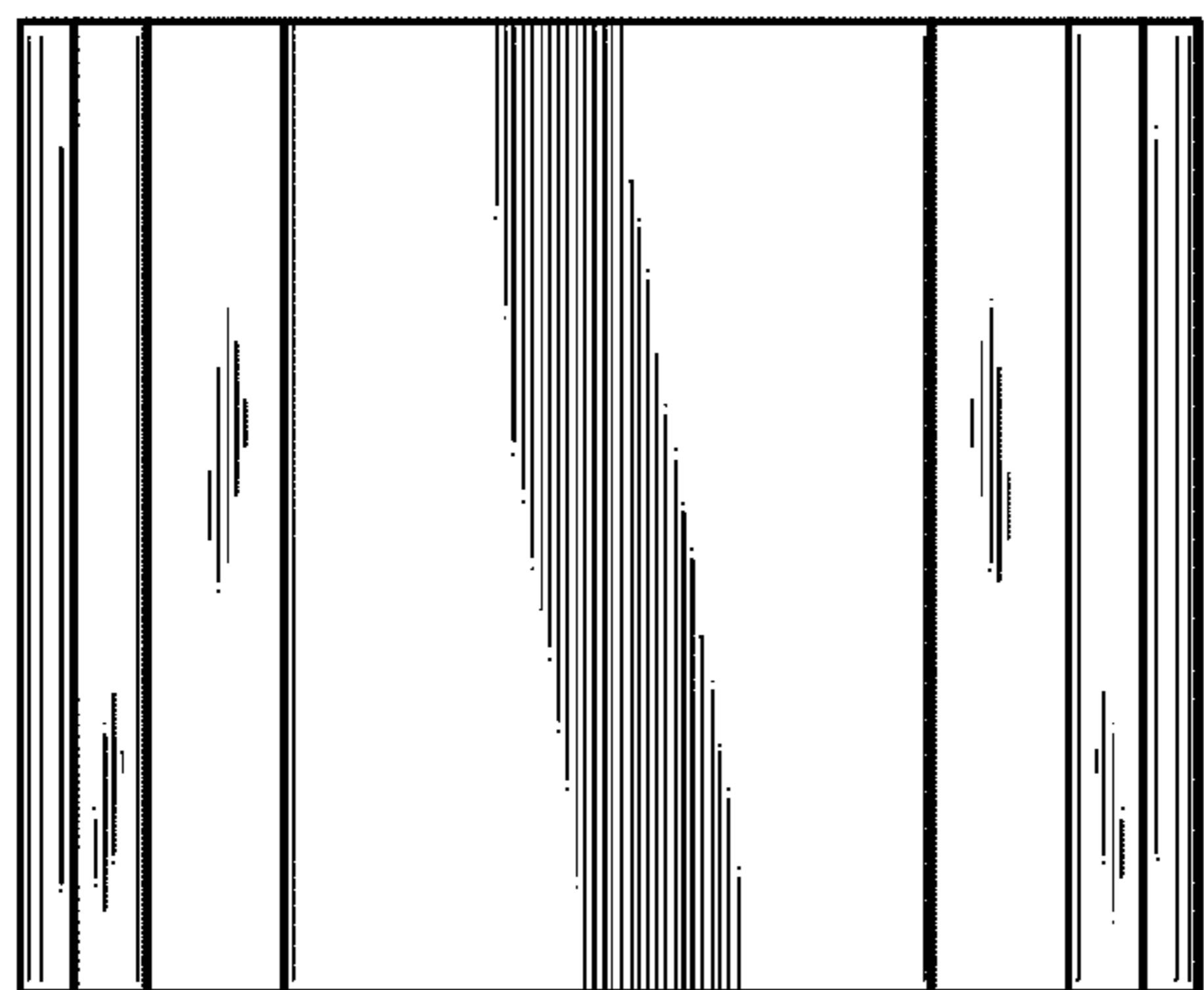


FIG. 7

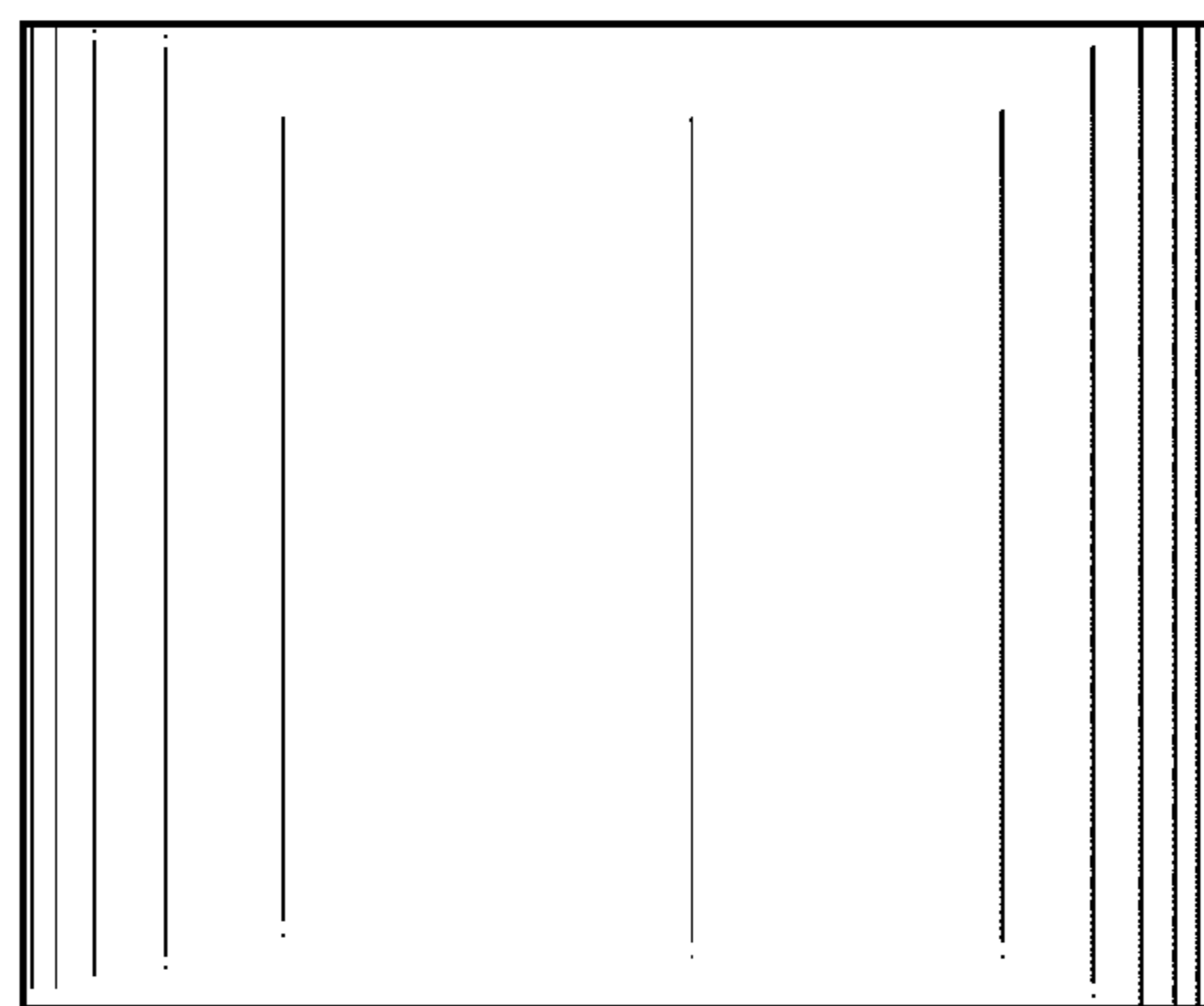


FIG. 8