



US00D655427S

(12) **United States Design Patent**
Sutton

(10) **Patent No.:** **US D655,427 S**
(45) **Date of Patent:** **** *Mar. 6, 2012**

- (54) **VENTED FOOTER TRACK**
- (76) Inventor: **Adam F. Sutton**, Kaneohe, HI (US)
- (*) Notice: This patent is subject to a terminal disclaimer.
- (**) Term: **14 Years**
- (21) Appl. No.: **29/404,010**
- (22) Filed: **Oct. 13, 2011**

5,787,659	A	8/1998	Rinehart	
5,813,177	A	9/1998	Wu	
5,890,334	A	4/1999	Hughes, Jr.	
5,927,041	A	7/1999	Sedlmeier et al.	
5,970,671	A	10/1999	Bifano et al.	
6,216,405	B1	4/2001	Smith	
6,243,995	B1	6/2001	Reeves et al.	
6,266,935	B1 *	7/2001	Seiber et al.	52/241
6,374,557	B1	4/2002	O'Donnell	
6,470,638	B1	10/2002	Larson	
D468,028	S *	12/2002	Givens et al.	D25/121
6,619,004	B2	9/2003	Loper	
6,640,605	B2	11/2003	Gitlin et al.	
6,647,691	B2 *	11/2003	Becker et al.	52/656.1

(Continued)

Related U.S. Application Data

- (63) Continuation of application No. 11/260,516, filed on Oct. 27, 2005.
- (51) **LOC (9) Cl.** **25-01**
- (52) **U.S. Cl.** **D25/121**
- (58) **Field of Classification Search** 52/344, 52/459, 460, 465, 470, 481.1, 800.12, 169.5, 52/241, 209, 299, 302.1, 254, 474, 579, 461, 52/302.3, 238.1, 293.1; D25/121, 122, 125, D25/120

See application file for complete search history.

Primary Examiner — Doris Clark

(74) *Attorney, Agent, or Firm* — Seth M. Reiss; Seth M. Reiss, AAL, ALLLC

(57) **CLAIM**

I claim the ornamental design for a vented footer track, as shown and described.

DESCRIPTION

FIG. 1 is a top perspective view of the vented footer track of the subject invention.

FIG. 2 is a bottom perspective view of the vented footer track.

FIG. 3 is an end view of the vented footer track, the opposite end being identical thereto.

FIG. 4 is a right side view of the vented footer track.

FIG. 5 is a left side view of the vented footer track.

FIG. 6 is a top view of the vented footer track.

FIG. 7 is a bottom view of the vented footer track; and, FIG. 8 is a closer top perspective view of the vented footer track of the subject invention.

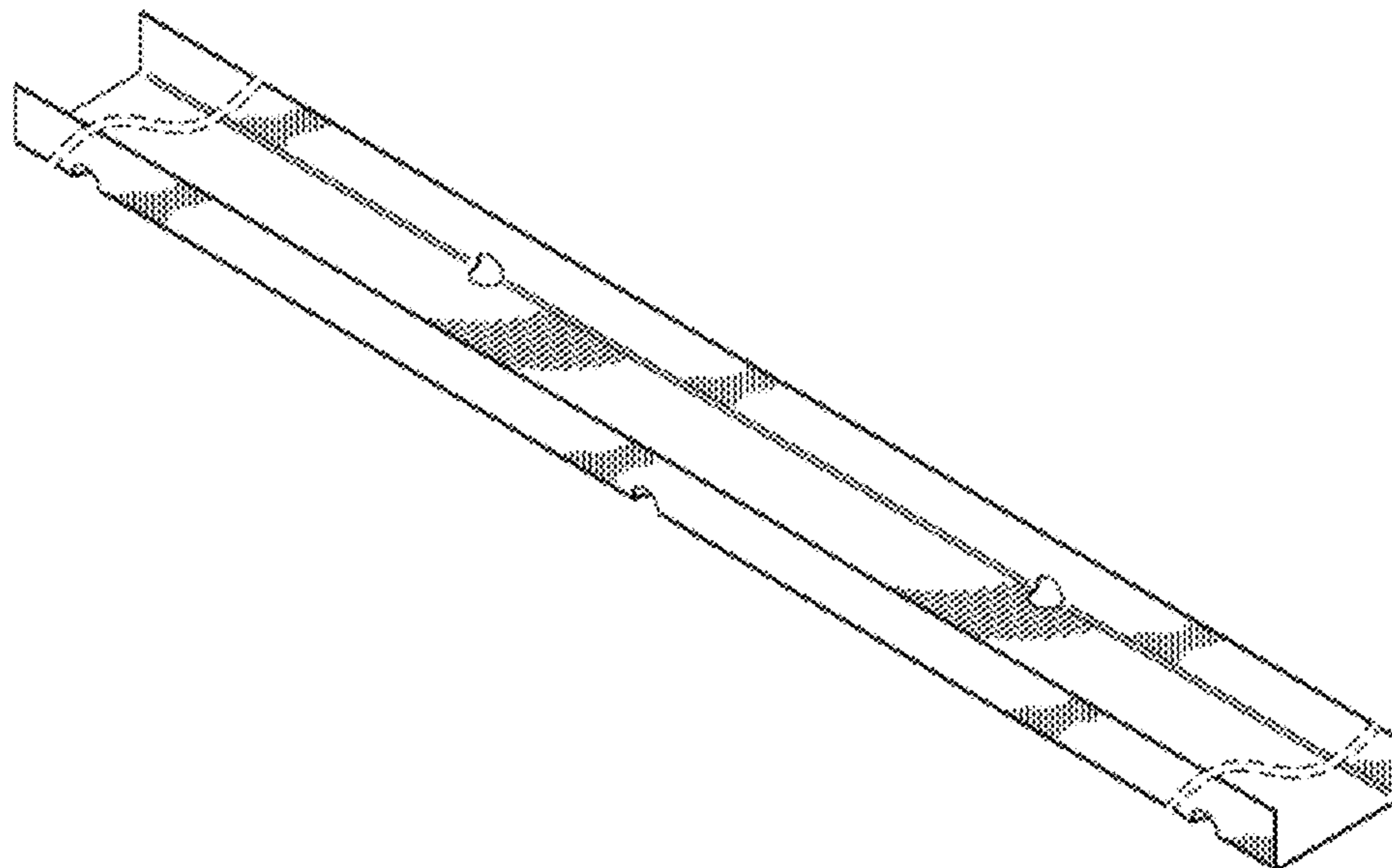
The claimed design is broken on the ends indicating indeterminate length.

1 Claim, 4 Drawing Sheets

(56) **References Cited**

U.S. PATENT DOCUMENTS

3,170,269	A	2/1965	Dunnington	
3,284,971	A	11/1966	Attwood	
3,653,172	A	4/1972	Schwartz	
4,047,355	A	9/1977	Knorr	
4,075,810	A	2/1978	Zakrzewski et al.	
D251,451	S *	3/1979	Toder	D25/121
4,265,064	A	5/1981	Parezo	
4,507,901	A	4/1985	Carroll	
5,038,544	A	8/1991	Traut	
5,222,335	A *	6/1993	Petrecca	52/105
5,394,665	A	3/1995	Johnson	
5,671,571	A	9/1997	Braun	



US D655,427 S

Page 2

U.S. PATENT DOCUMENTS

6,792,725 B1 9/2004 Rutherford
6,983,569 B1 1/2006 Rosenberg
2003/0196401 A1 10/2003 Surowiecki

2004/0134162 A1 7/2004 Douglas
2004/0163356 A1 8/2004 Rice
2007/0193202 A1* 8/2007 Rice 52/733.2

* cited by examiner

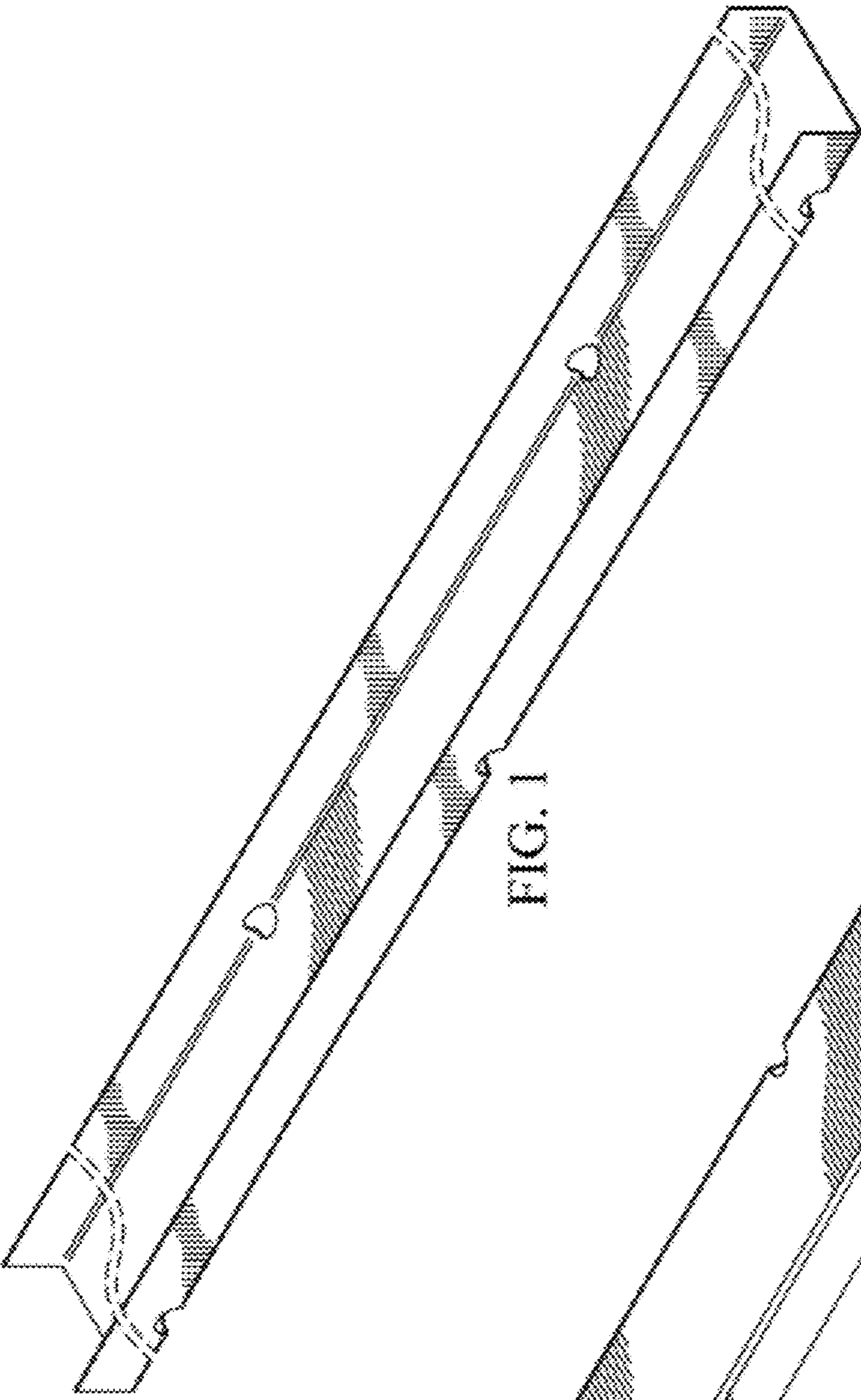


FIG. 1

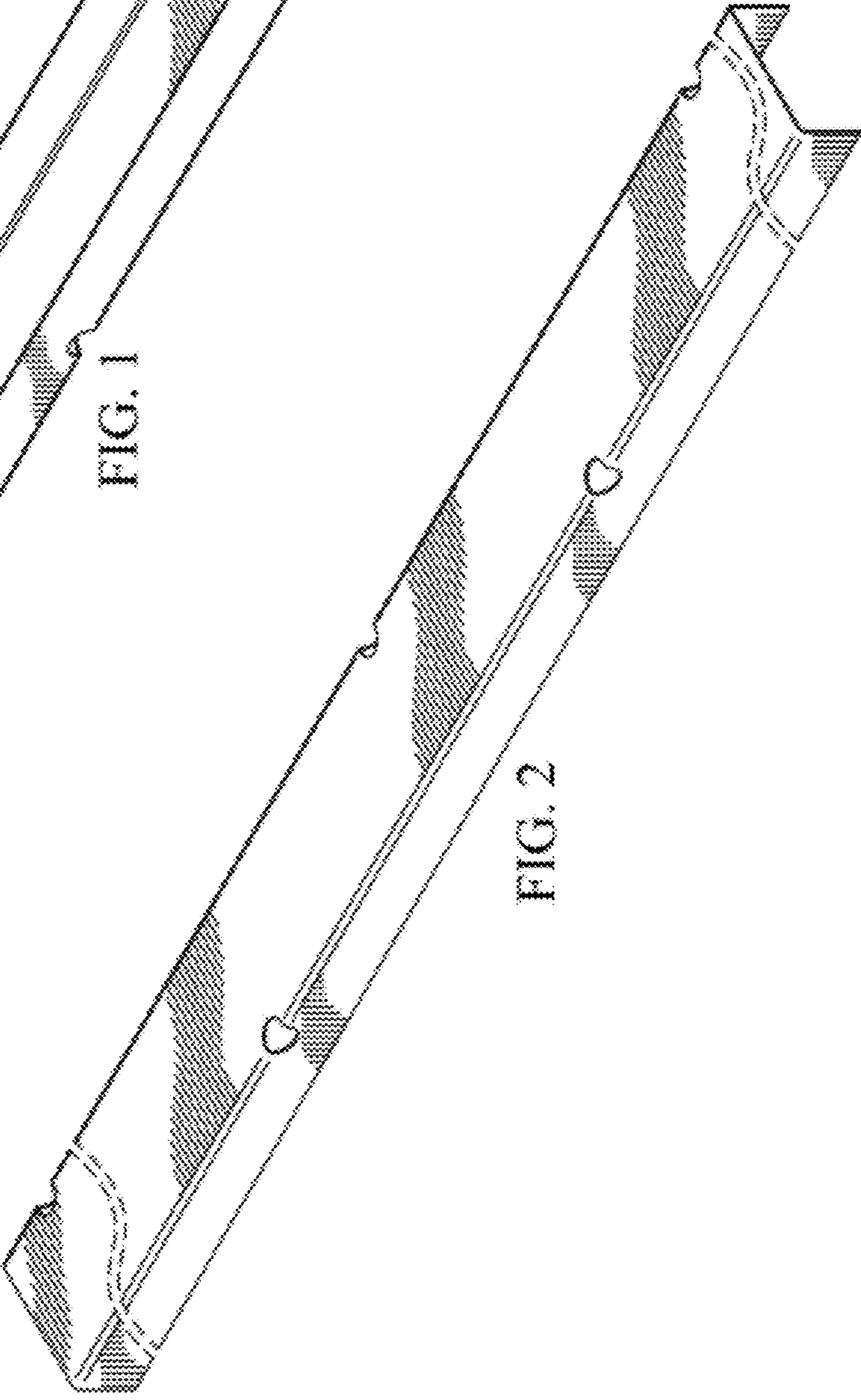


FIG. 2



FIG. 3



FIG. 4

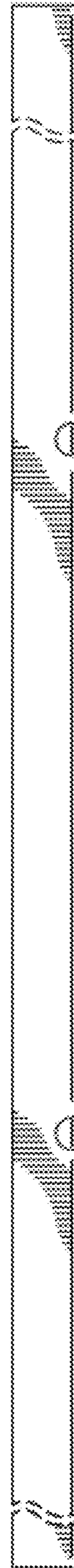


FIG. 5

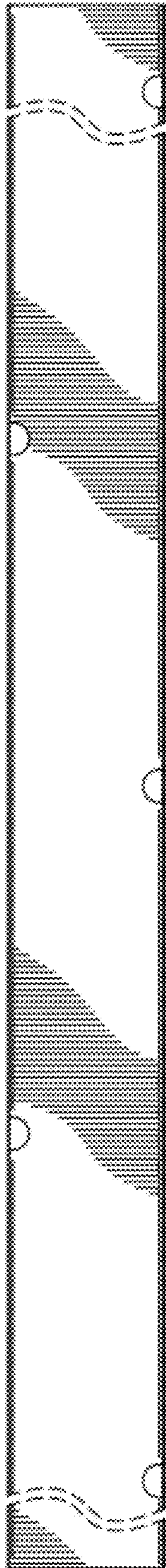


FIG. 6

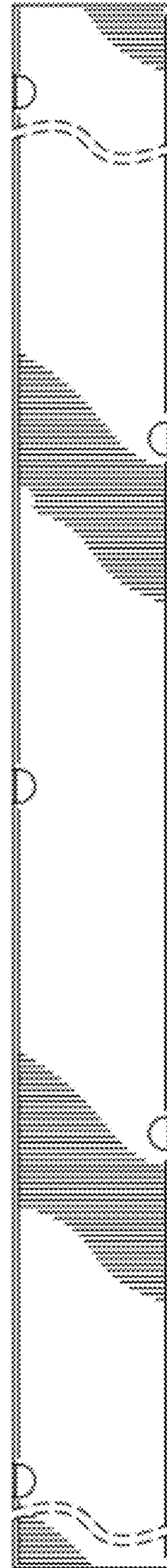


FIG. 7

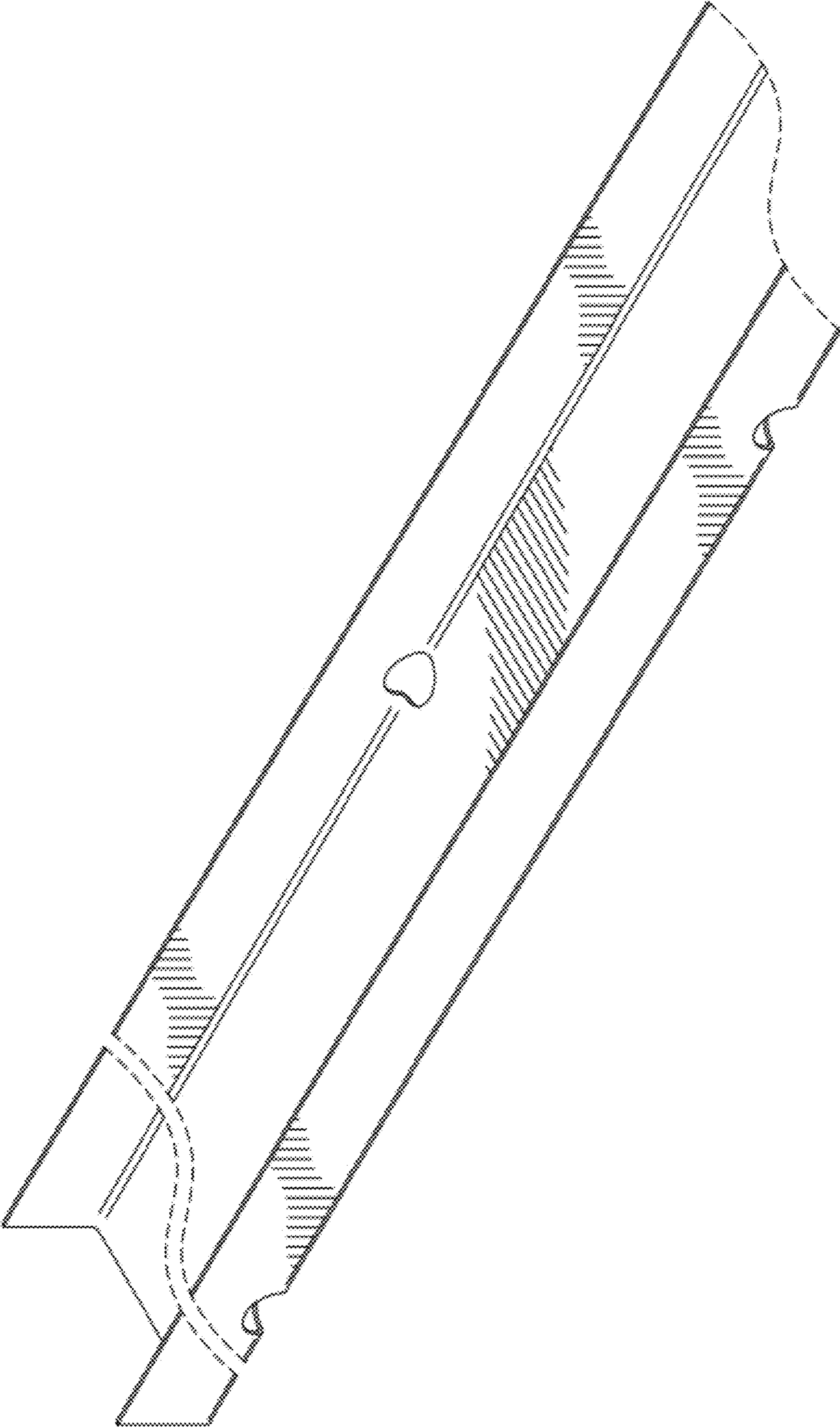


FIG. 8