



US00D655425S

(12) **United States Design Patent**
Wauhop

(10) **Patent No.:** **US D655,425 S**
(45) **Date of Patent:** **** Mar. 6, 2012**

(54) **RETAINING WALL CORNER BLOCK**

(75) Inventor: **Billy J. Wauhop**, Belvidere, NJ (US)

(73) Assignee: **E. Dillon & Company**, Swords Creek, VA (US)

(**) Term: **14 Years**

(21) Appl. No.: **29/370,651**

(22) Filed: **Aug. 18, 2010**

(51) **LOC (9) Cl.** **25-01**

(52) **U.S. Cl.** **D25/113**

(58) **Field of Classification Search** D25/102,
D25/112-118, 136, 138, 151, 152, 158, 162,
D25/164, 199; D21/484-491, 499-504;
405/16, 284, 286; 52/503-505, 574, 575,
52/596-612; 404/27-42; 47/33

See application file for complete search history.

(56) **References Cited**

U.S. PATENT DOCUMENTS

3,426,122	A *	2/1969	Gaudelli et al.	D25/113
5,131,202	A *	7/1992	Ball	52/596
5,960,604	A *	10/1999	Blanton	52/604
D458,387	S *	6/2002	Blomquist et al.	D25/113
D464,149	S *	10/2002	Risi et al.	D25/113
D467,009	S *	12/2002	Agee	D25/113
6,871,468	B2 *	3/2005	Whitson	52/603
7,561,936	B2 *	7/2009	Matsufuji	52/606
7,641,178	B2 *	1/2010	MacDonald et al.	52/606
2006/0171784	A1 *	8/2006	Shaw	405/286

* cited by examiner

Primary Examiner — Anhdao Doan

(74) *Attorney, Agent, or Firm* — Adams & Wilks

(57) **CLAIM**

The ornamental design for a retaining wall corner block, as shown and described.

DESCRIPTION

FIG. 1 is a top, front and left perspective view of a retaining wall corner block showing a first embodiment of my new design;

FIG. 2 is a front elevational view thereof;

FIG. 3 is a right side elevational view thereof;

FIG. 4 is a left side elevational view thereof;

FIG. 5 is a top plan view thereof;

FIG. 6 is a bottom plan view thereof;

FIG. 7 is a top, front and right perspective view of a retaining wall corner block showing a second embodiment of my new design;

FIG. 8 is a front elevational view of the retaining wall corner block shown in FIG. 7;

FIG. 9 is a left side elevational view of the retaining wall corner block shown in FIG. 7;

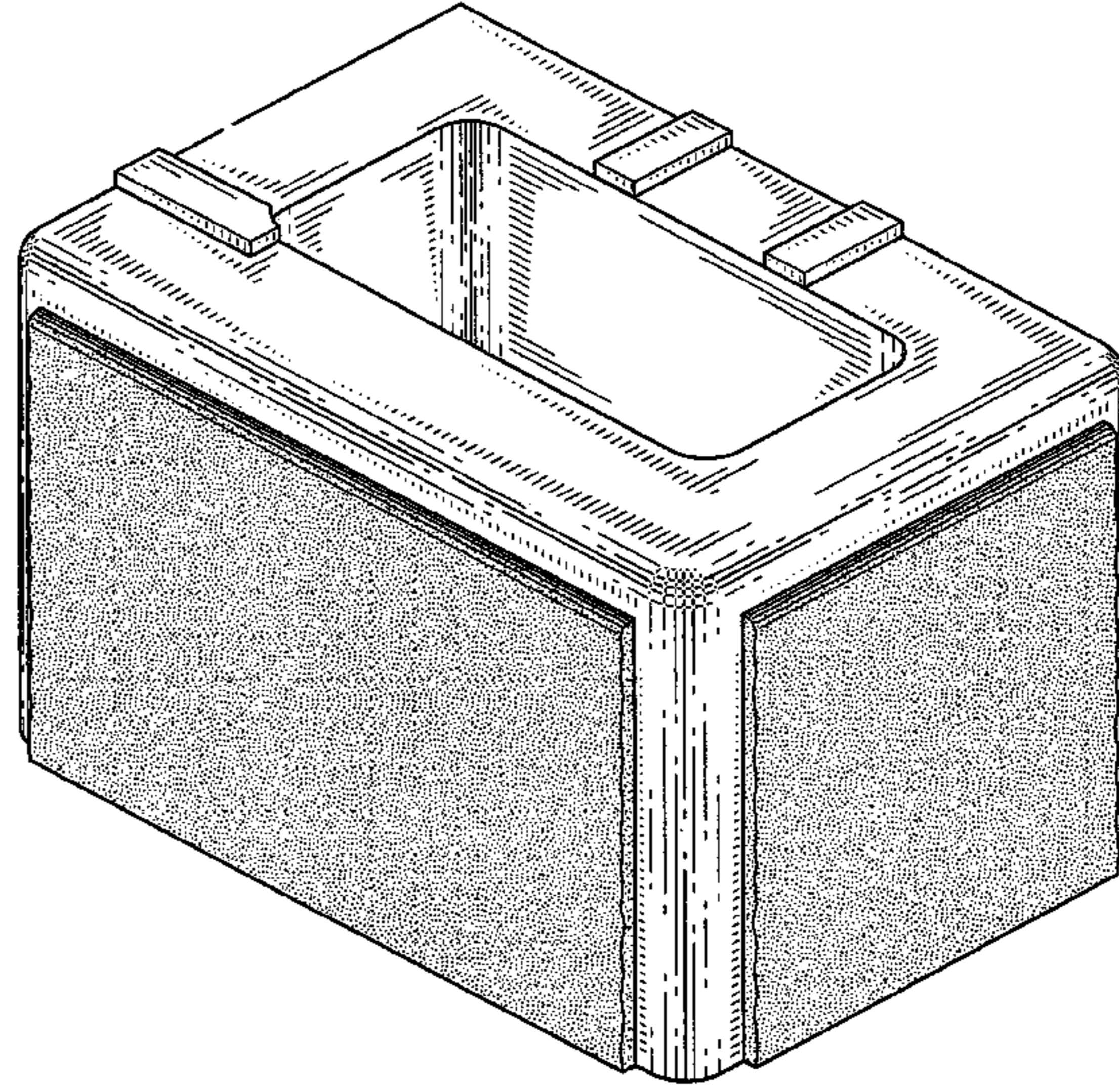
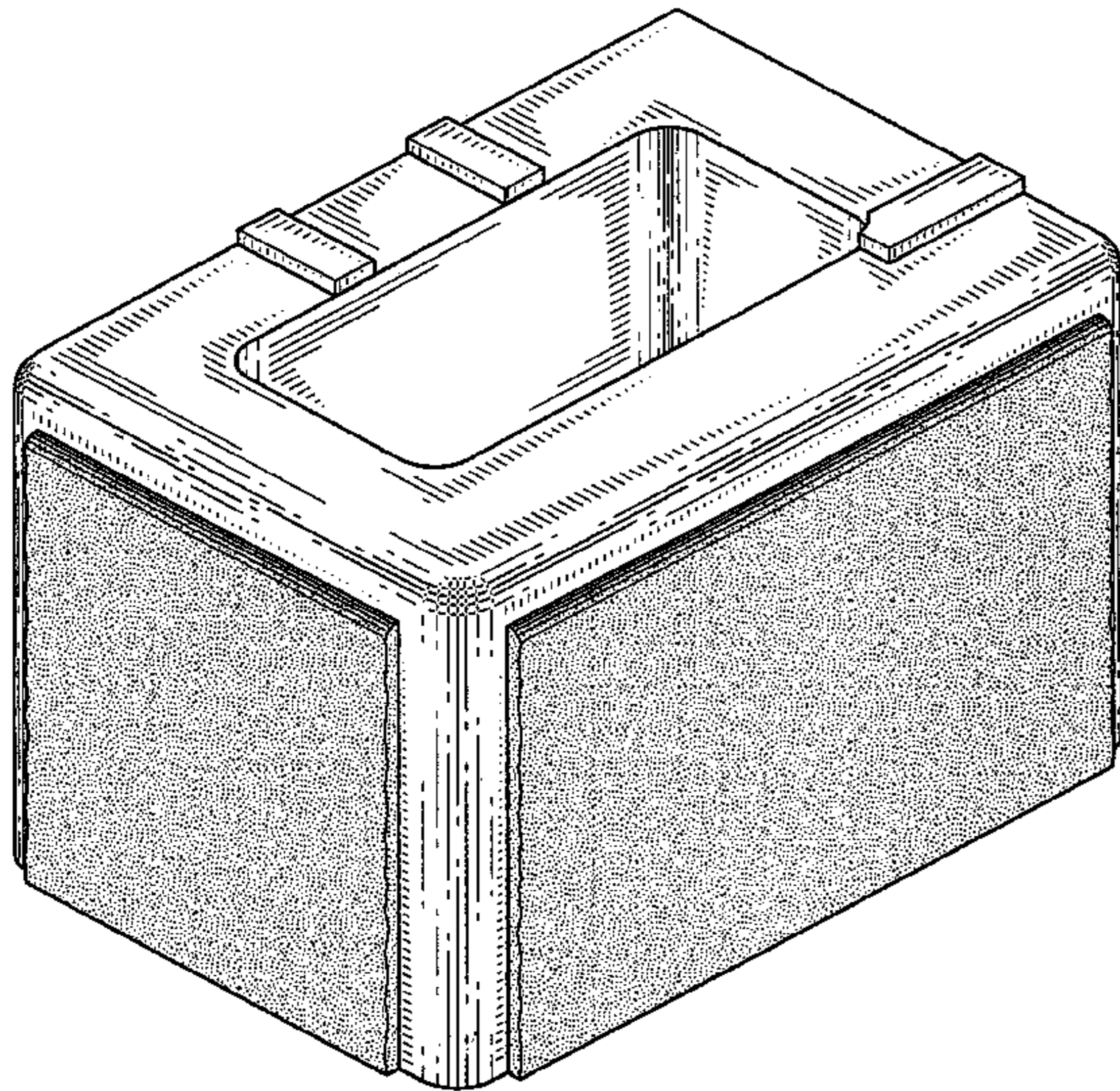
FIG. 10 is a right side elevational view of the retaining wall corner block shown in FIG. 7;

FIG. 11 is a top plan view of the retaining wall corner block shown in FIG. 7; and,

FIG. 12 is a bottom plan view of the retaining wall corner block shown in FIG. 7.

The portions of the retaining wall corner block shown in broken lines form no part of the claimed design.

1 Claim, 12 Drawing Sheets



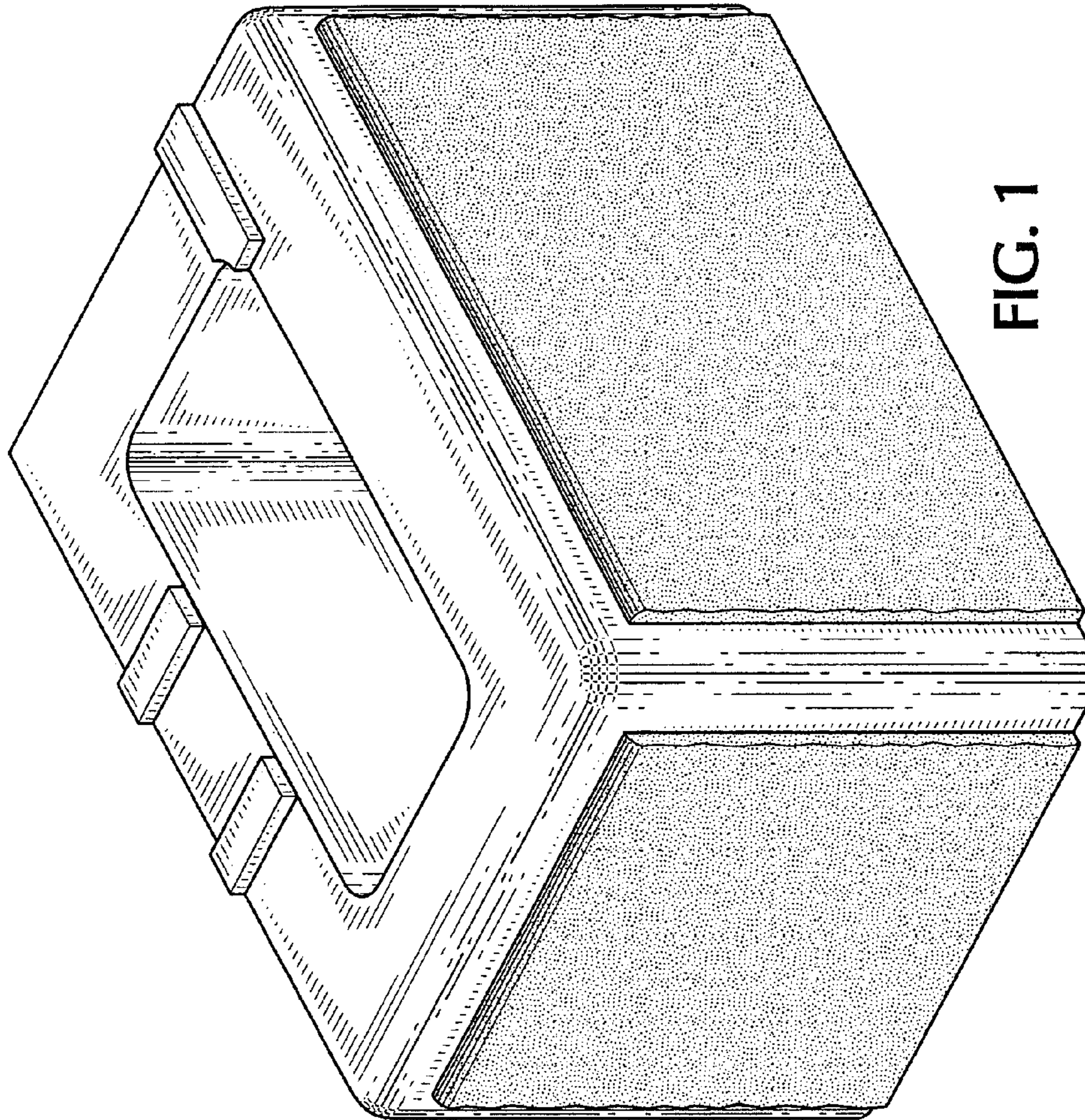


FIG. 1



FIG. 2

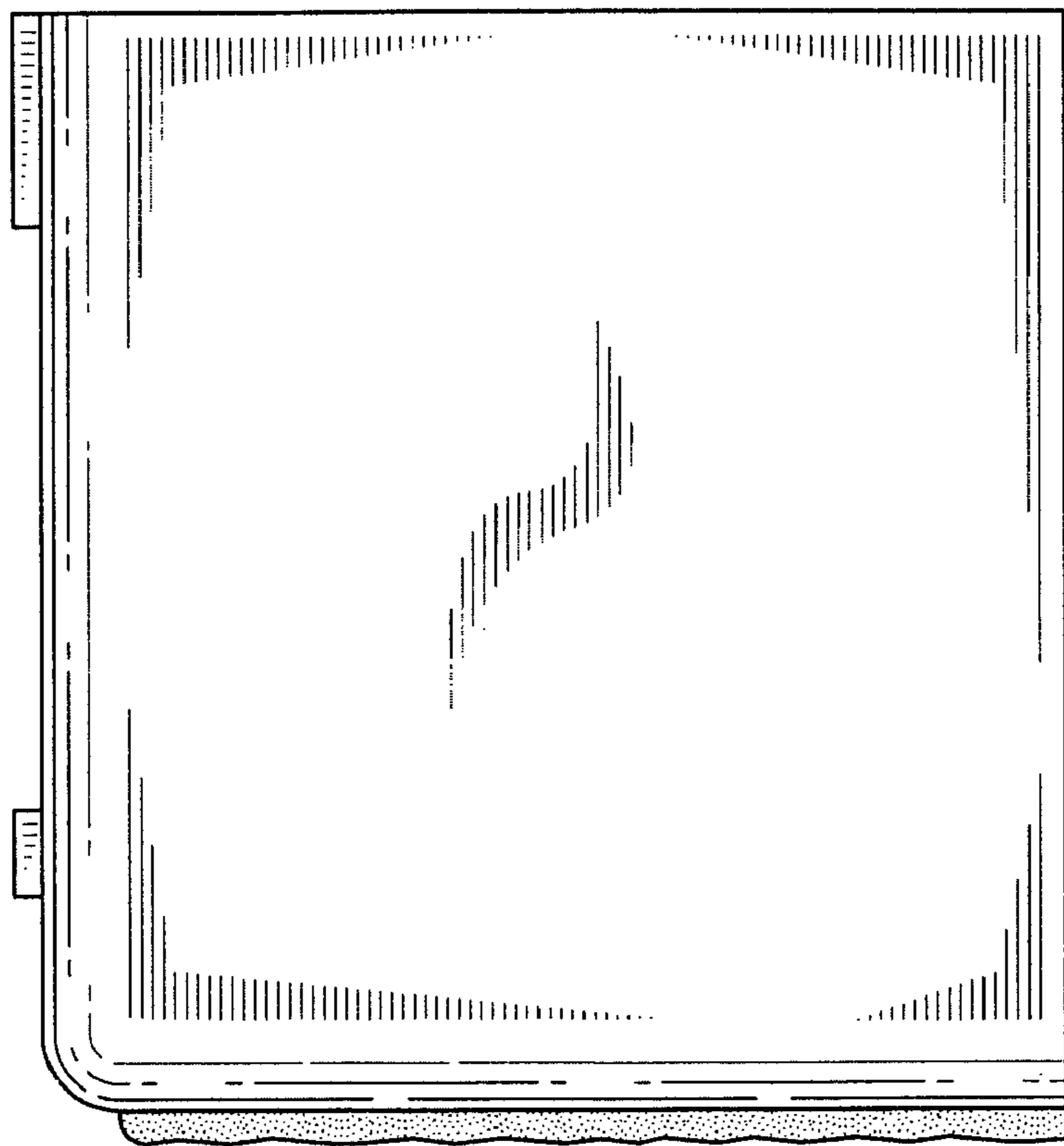


FIG. 3

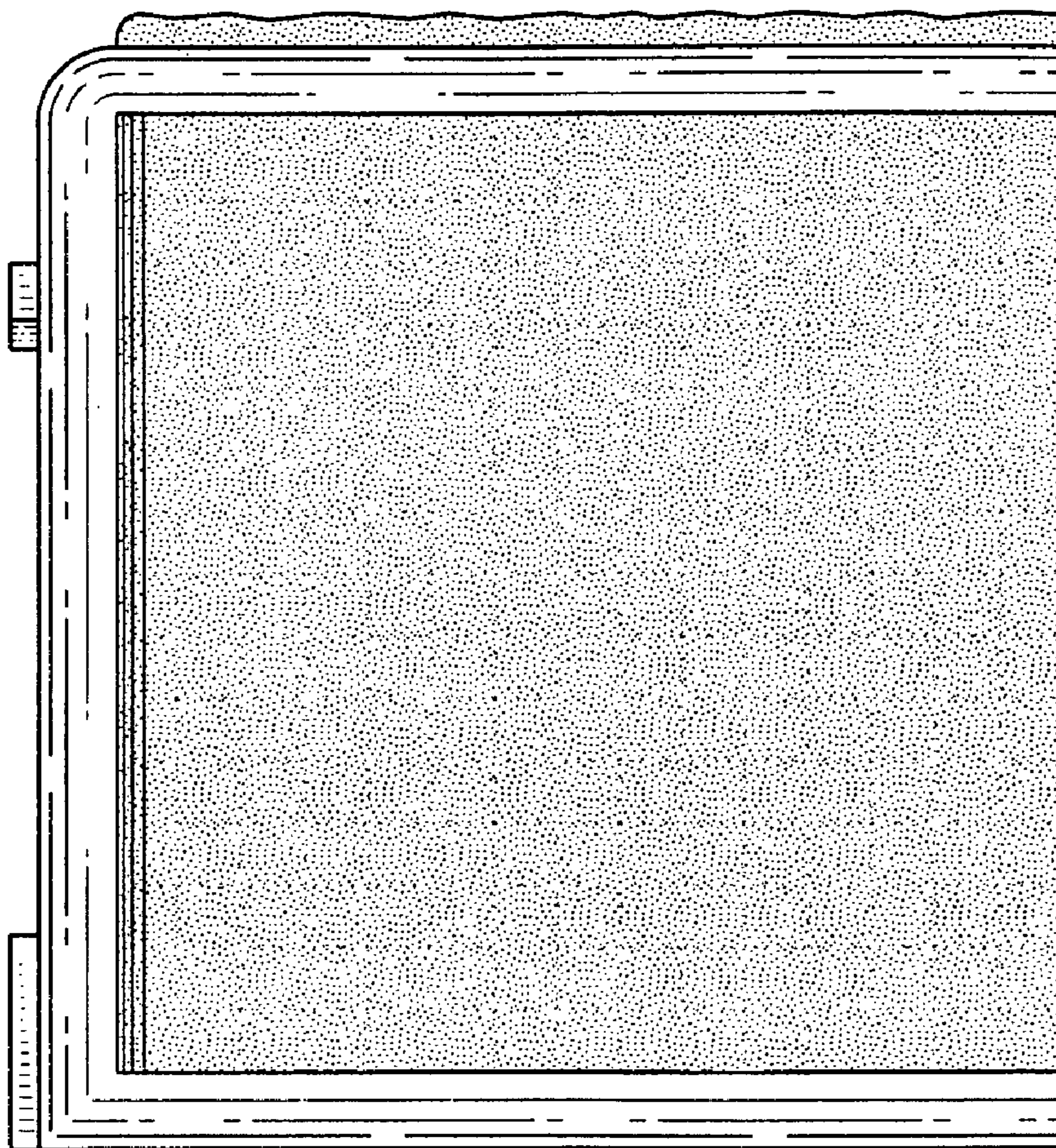


FIG. 4

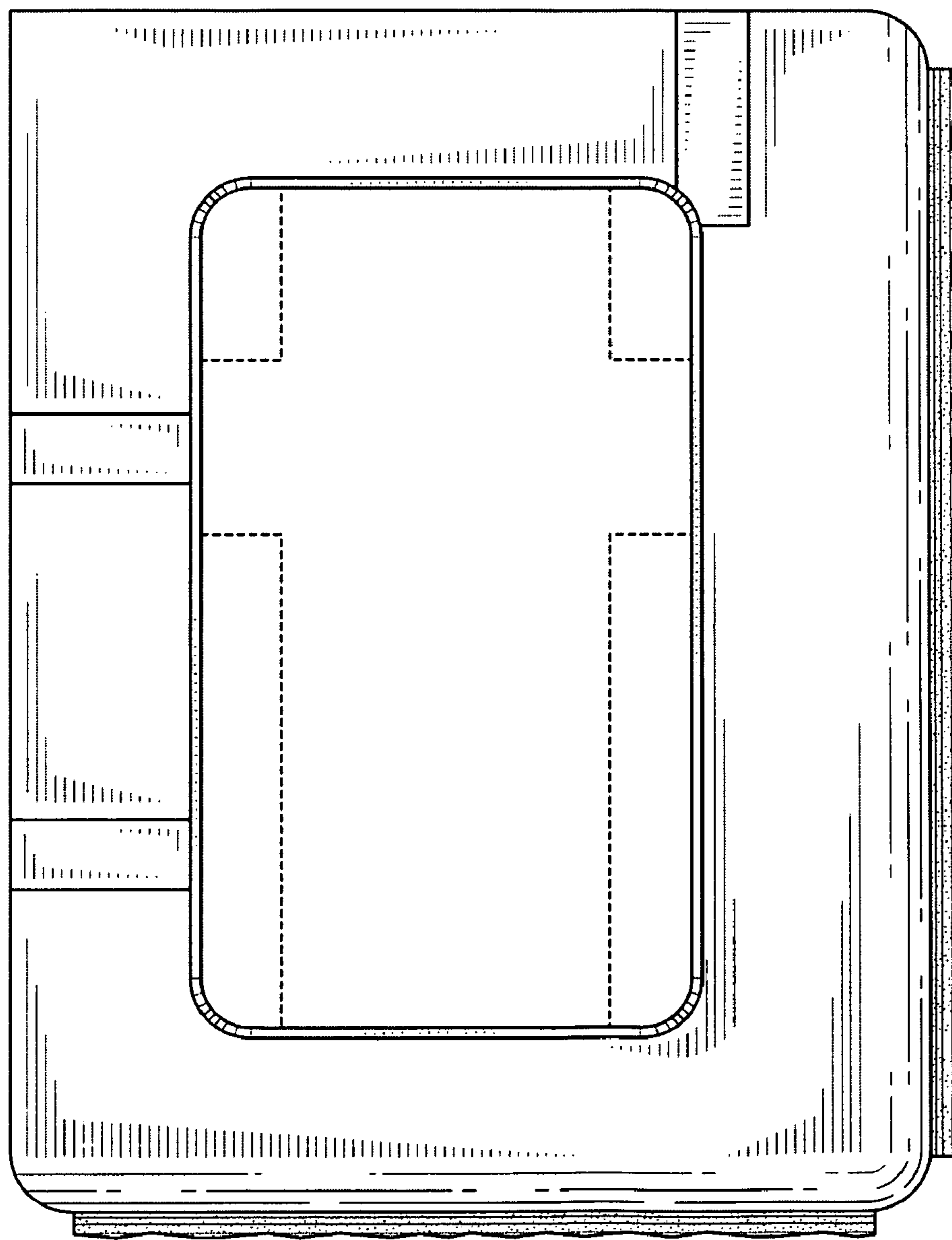


FIG. 5

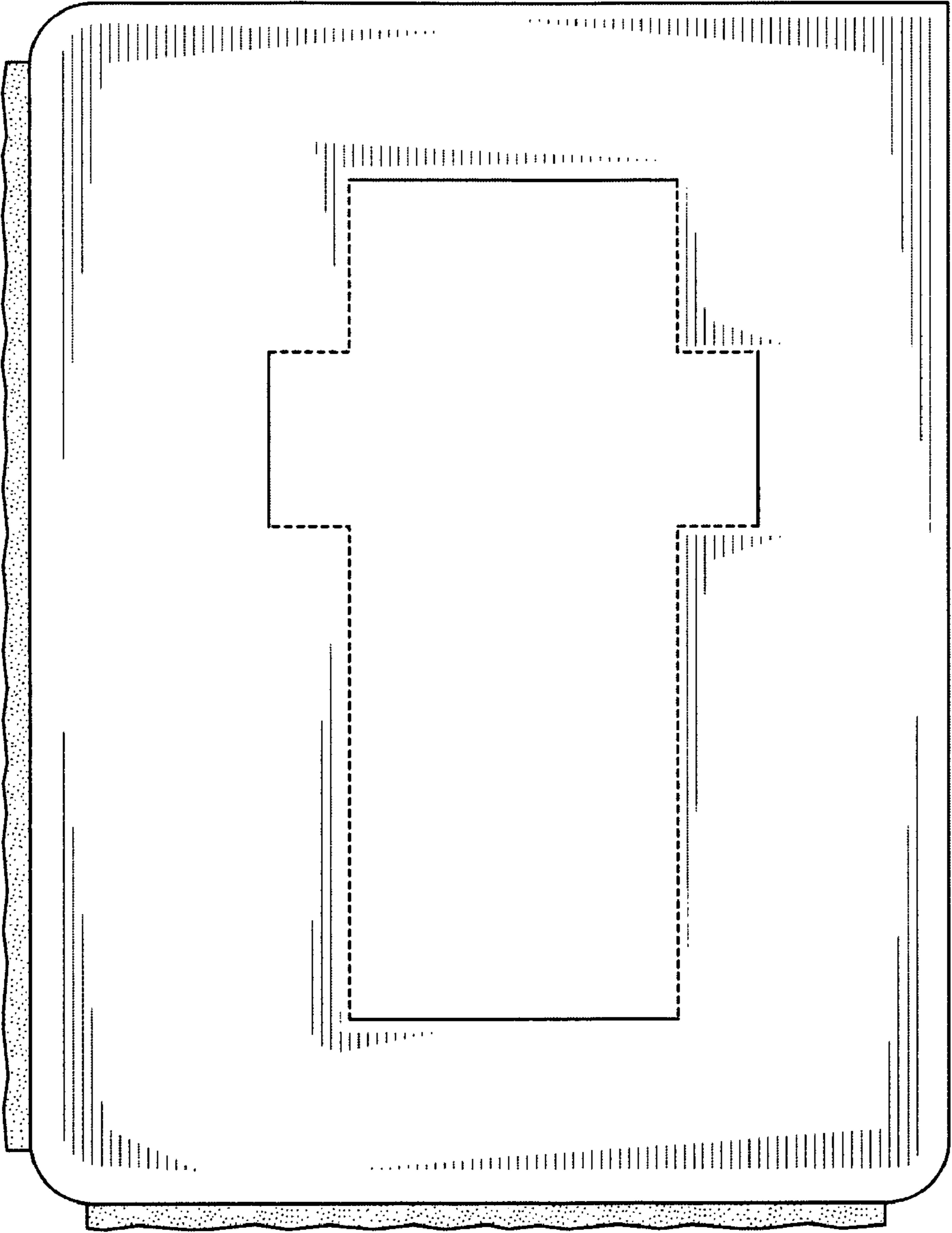


FIG. 6

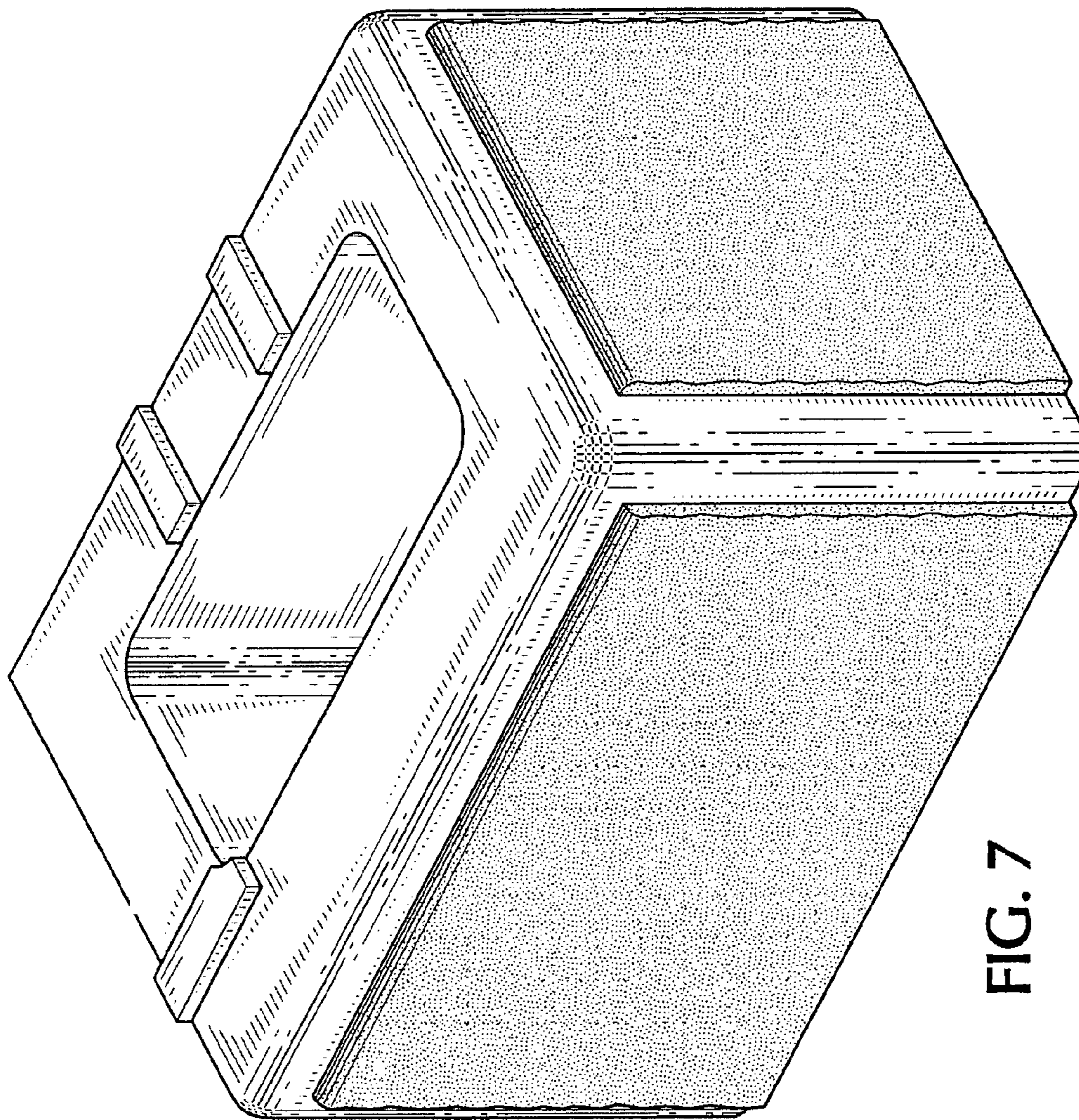


FIG. 7

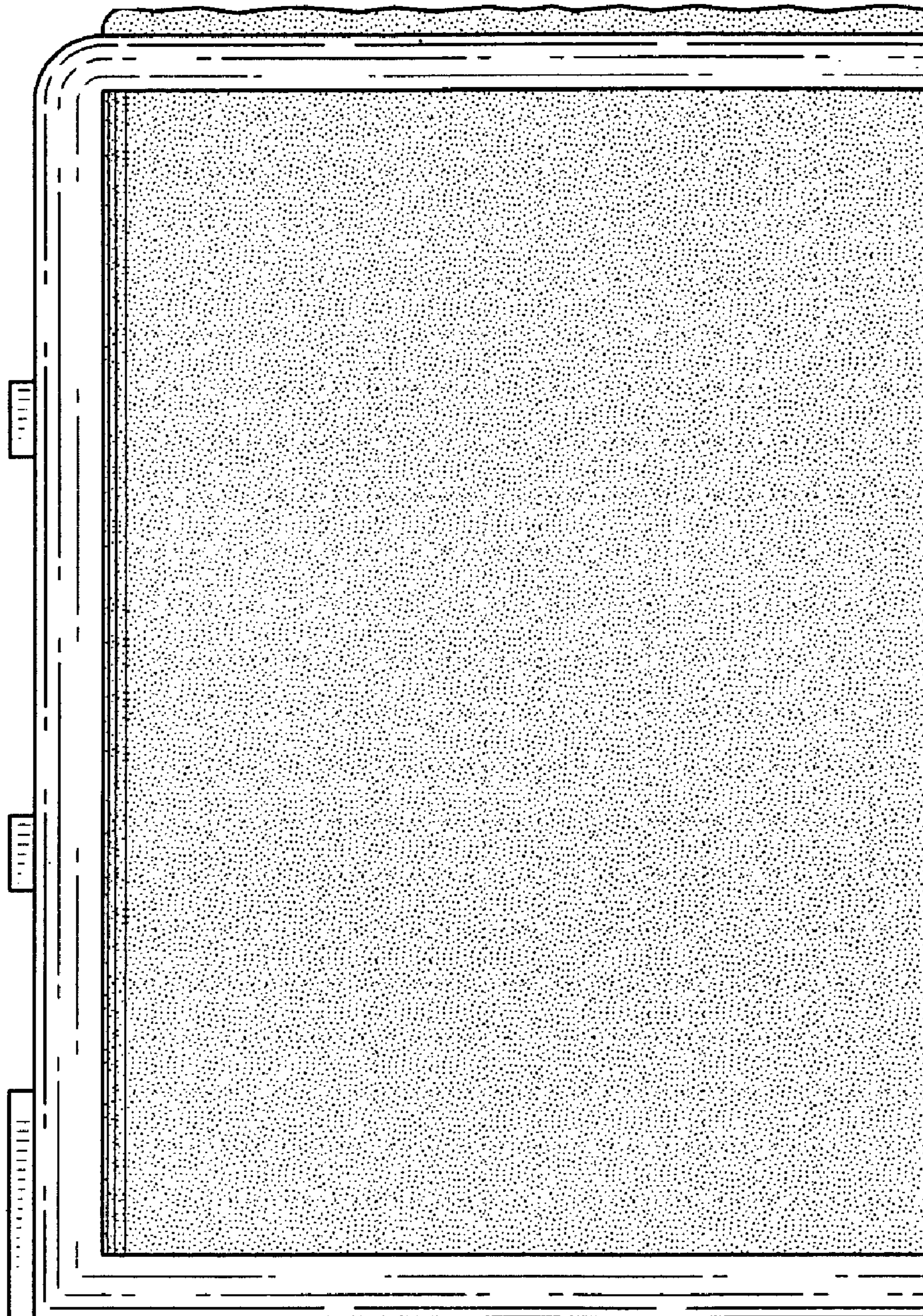


FIG. 8

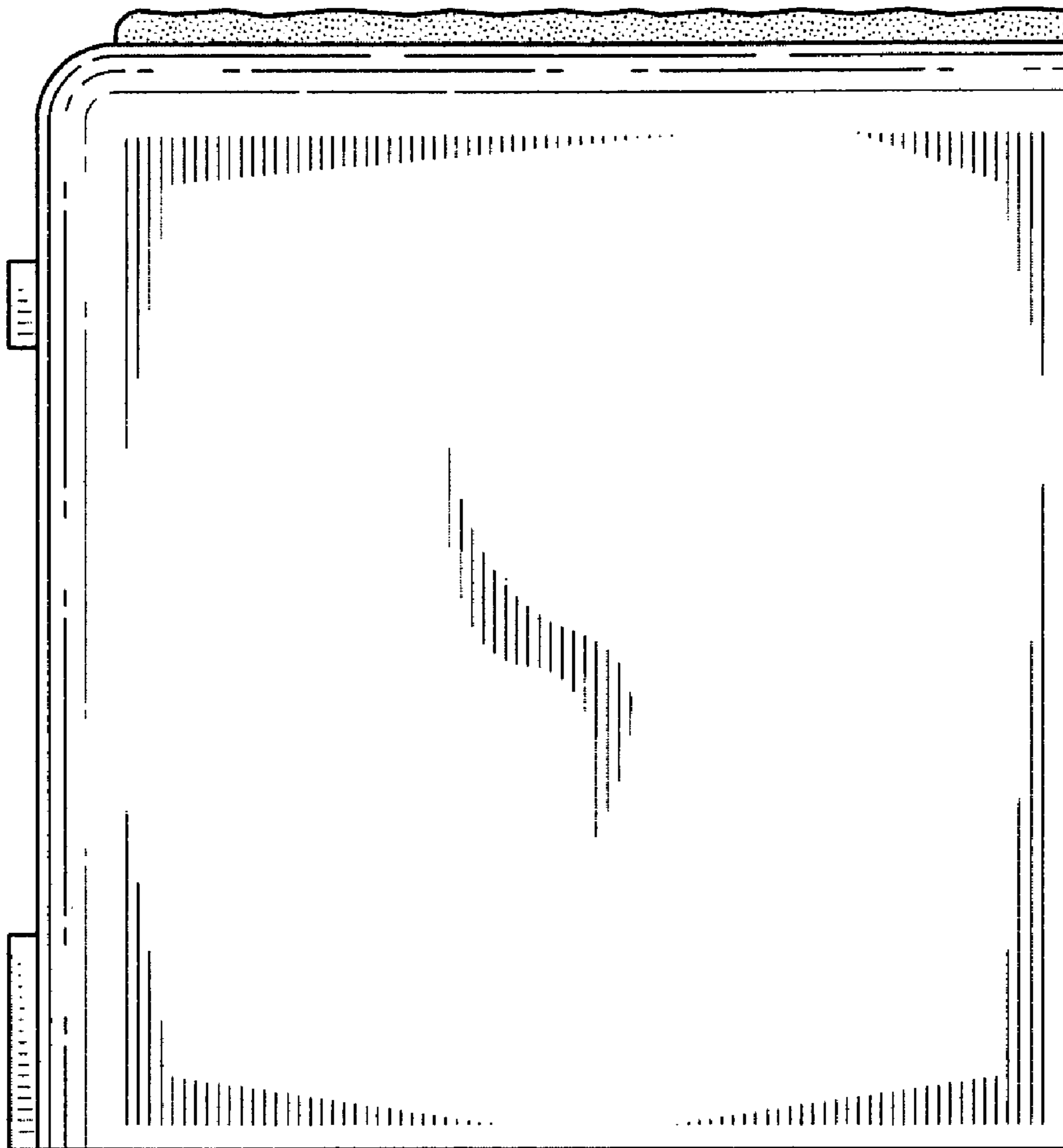


FIG. 9

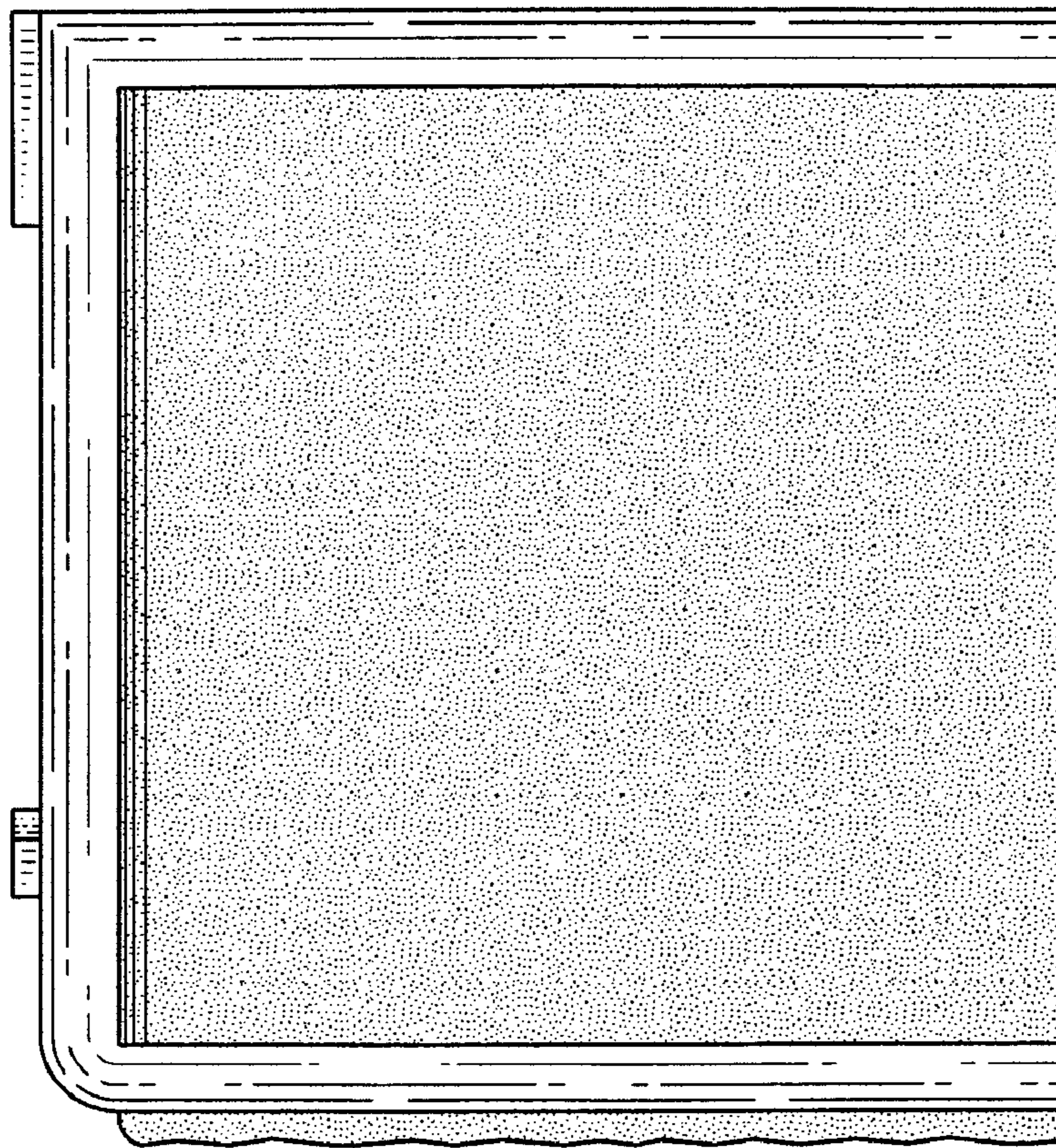


FIG. 10

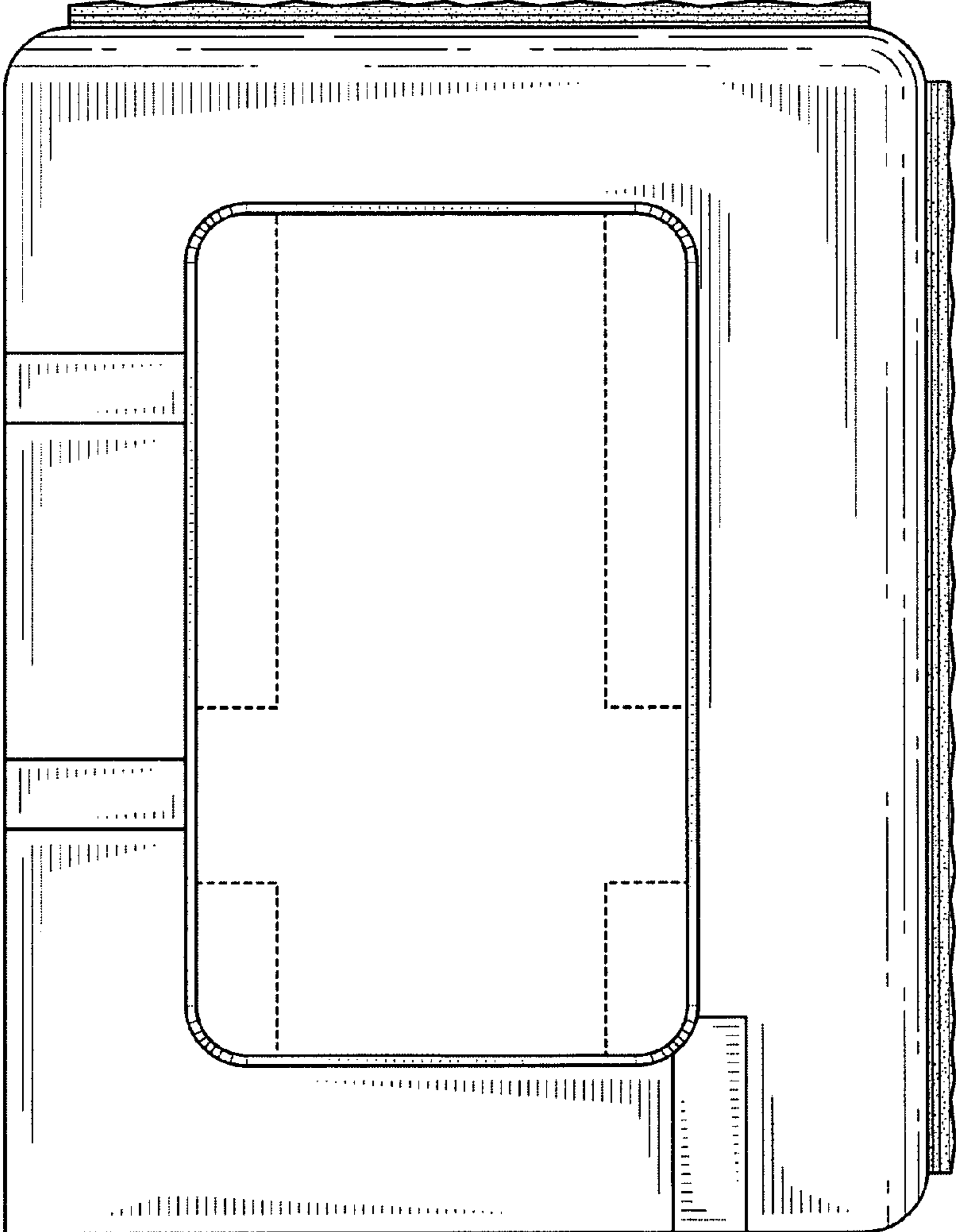


FIG. 11

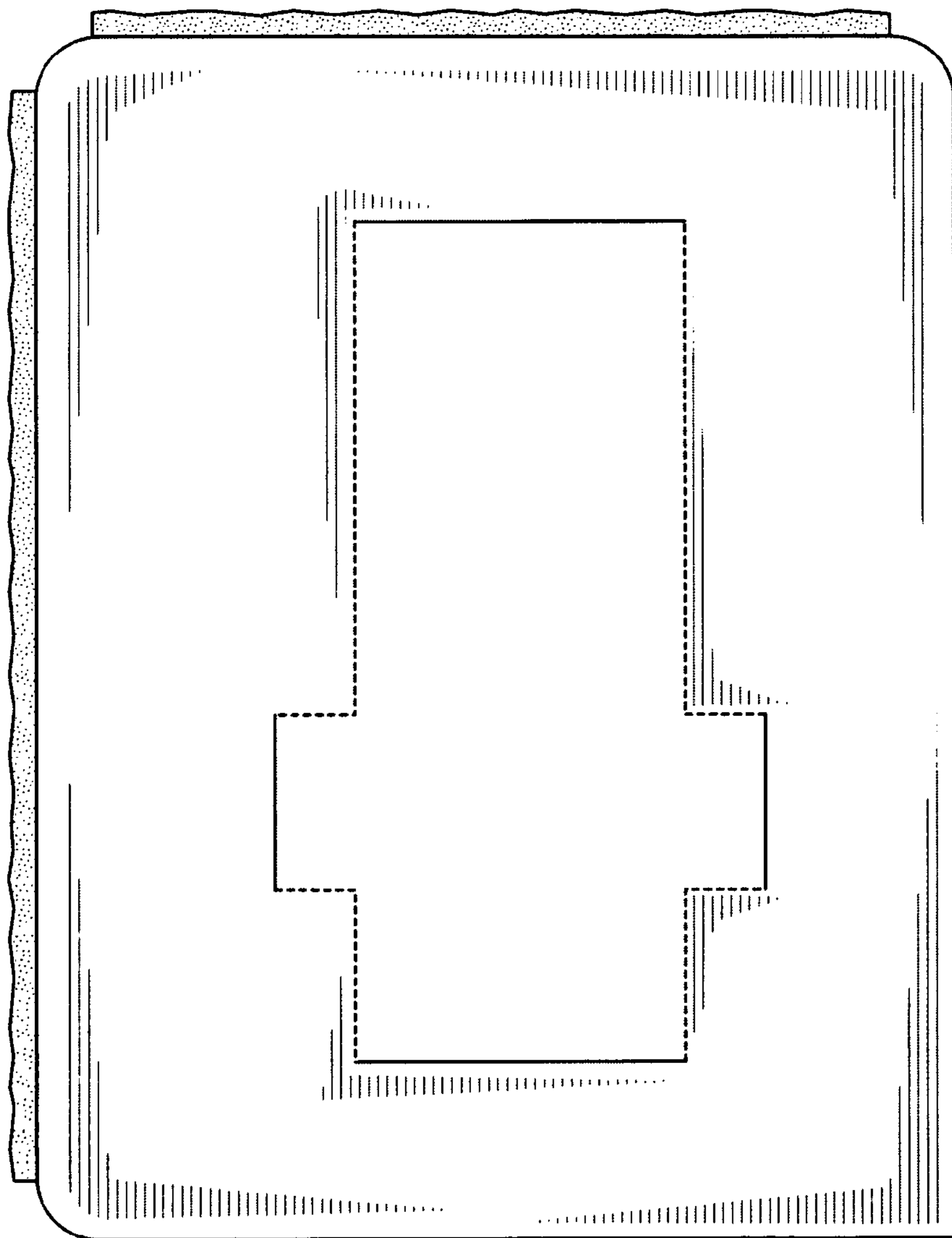


FIG. 12