



US00D655424S

(12) **United States Design Patent**  
**Castanon et al.**

(10) **Patent No.:** **US D655,424 S**

(45) **Date of Patent:** **\*\* Mar. 6, 2012**

(54) **CASSETTE FOR A MEDICAL DEVICE**

(75) Inventors: **Scott E. Castanon**, Carlsbad, CA (US);  
**Martin J. Bouliane**, Carlsbad, CA (US);  
**Richard R. Anderson**, Encinitas, CA  
(US); **John J. Carrino**, San Diego, CA  
(US); **Brian P. Dwyer**, San Diego, CA  
(US); **Gregory K. Bond**, Carlsbad, CA  
(US); **Bryan Towns**, Finksburg, MD  
(US); **Jorge Haro**, Stockton, CA (US)

(73) Assignee: **Becton, Dickinson and Company**,  
Franklin Lakes, NJ (US)

(\*\*) Term: **14 Years**

(21) Appl. No.: **29/350,550**

(22) Filed: **Nov. 18, 2009**

(51) **LOC (9) Cl.** ..... **24-01**

(52) **U.S. Cl.** ..... **D24/225**

(58) **Field of Classification Search** ..... D24/216,  
D24/222-226, 231, 232, 169; D10/81; 422/100,  
422/62-67, 68.1, 99, 102; 436/47, 48  
See application file for complete search history.

(56) **References Cited**

U.S. PATENT DOCUMENTS

D341,663 S \* 11/1993 Coulter ..... D24/225  
D342,575 S \* 12/1993 Ashihara et al. .... D24/225

D361,842 S \* 8/1995 Nazareth et al. .... D24/225  
D390,667 S \* 2/1998 Nazareth ..... D24/223  
D432,244 S \* 10/2000 Anderson et al. .... D24/223  
D456,082 S \* 4/2002 Bouse et al. .... D24/225  
D531,735 S \* 11/2006 Lee et al. .... D24/223  
D602,599 S \* 10/2009 Xiaowei ..... D24/225

\* cited by examiner

*Primary Examiner* — Anhdao Doan

(74) *Attorney, Agent, or Firm* — Mark Lindsey

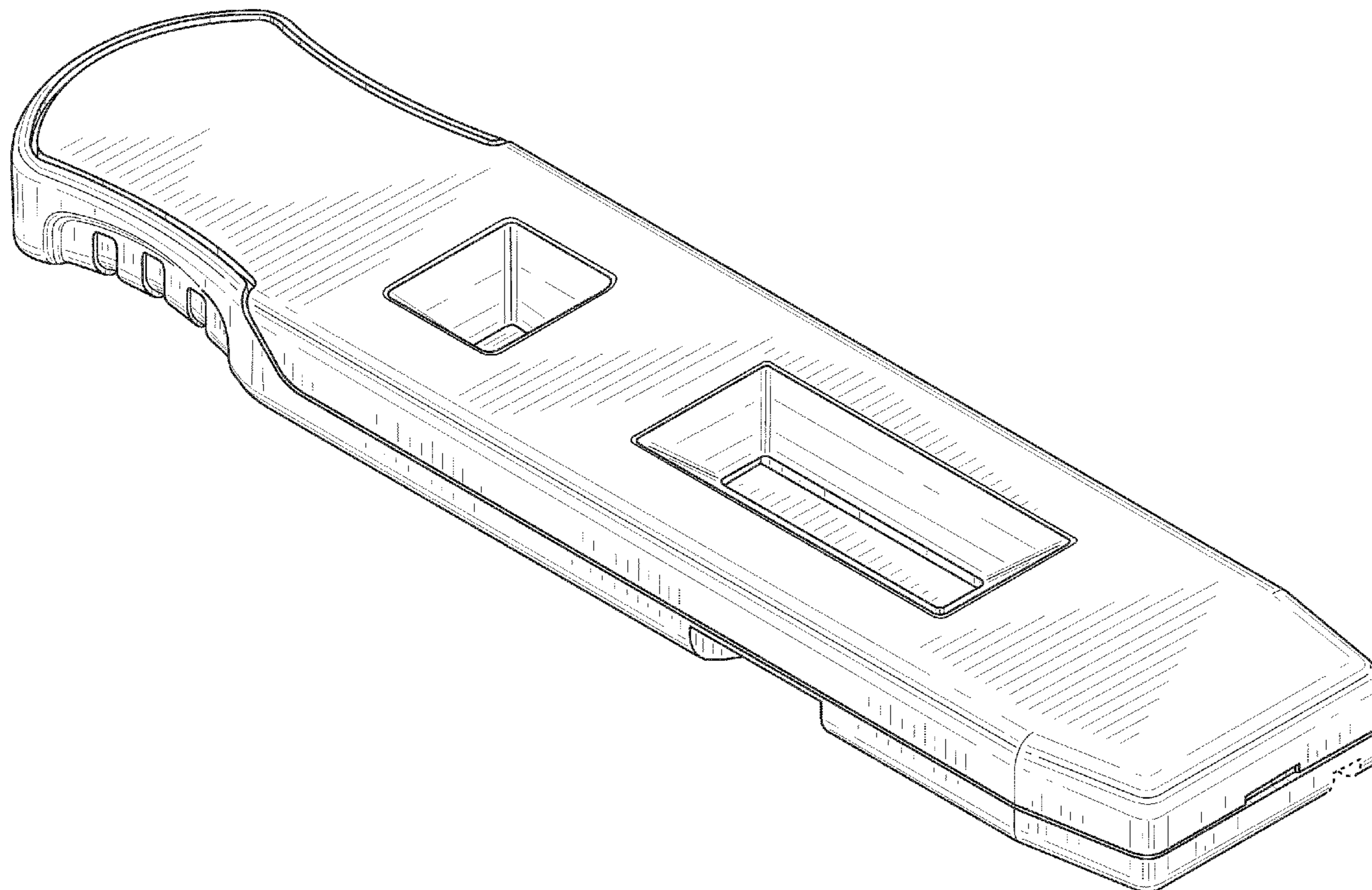
(57) **CLAIM**

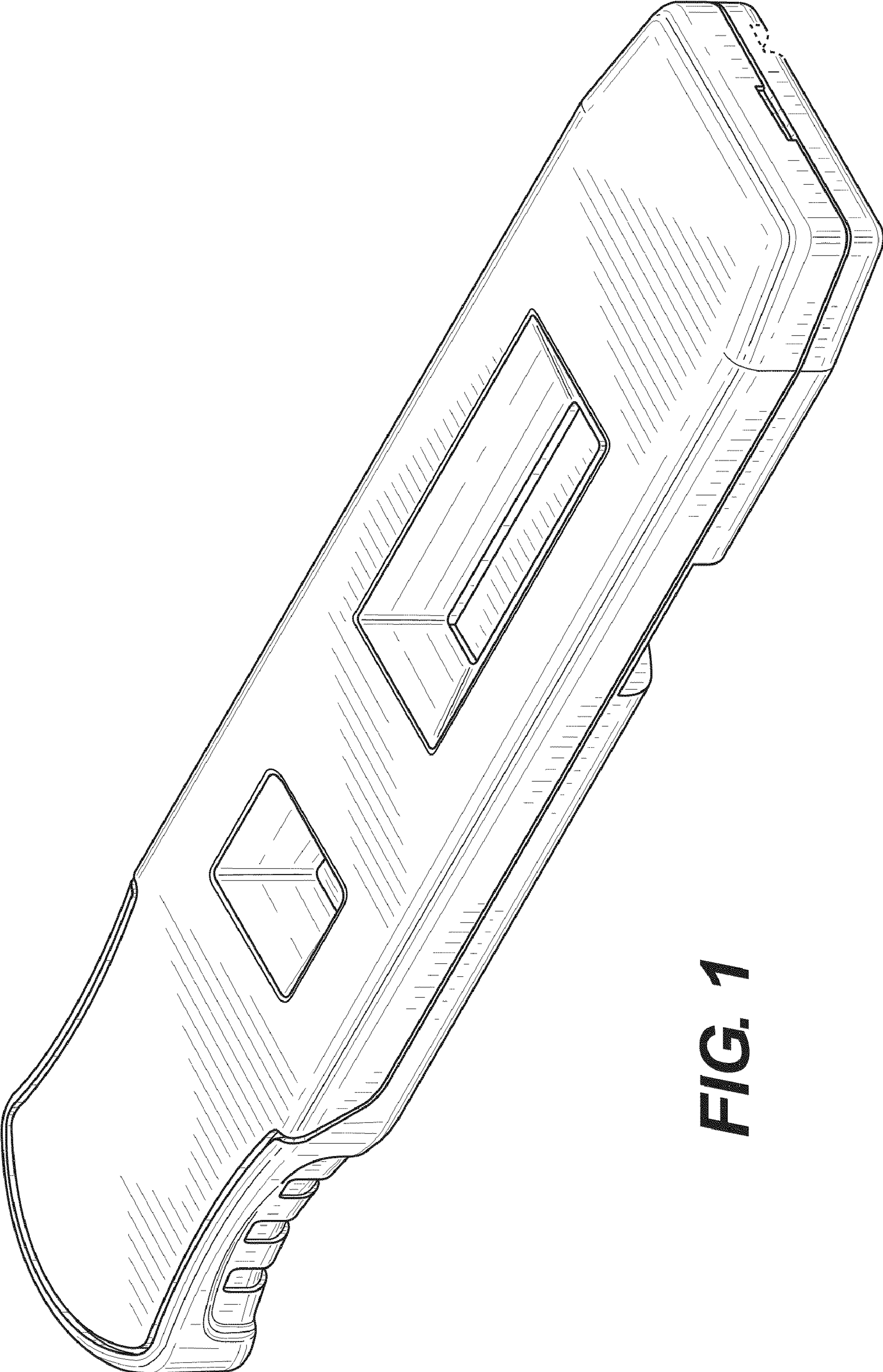
The ornamental design for a cassette for a medical device, as shown and described.

**DESCRIPTION**

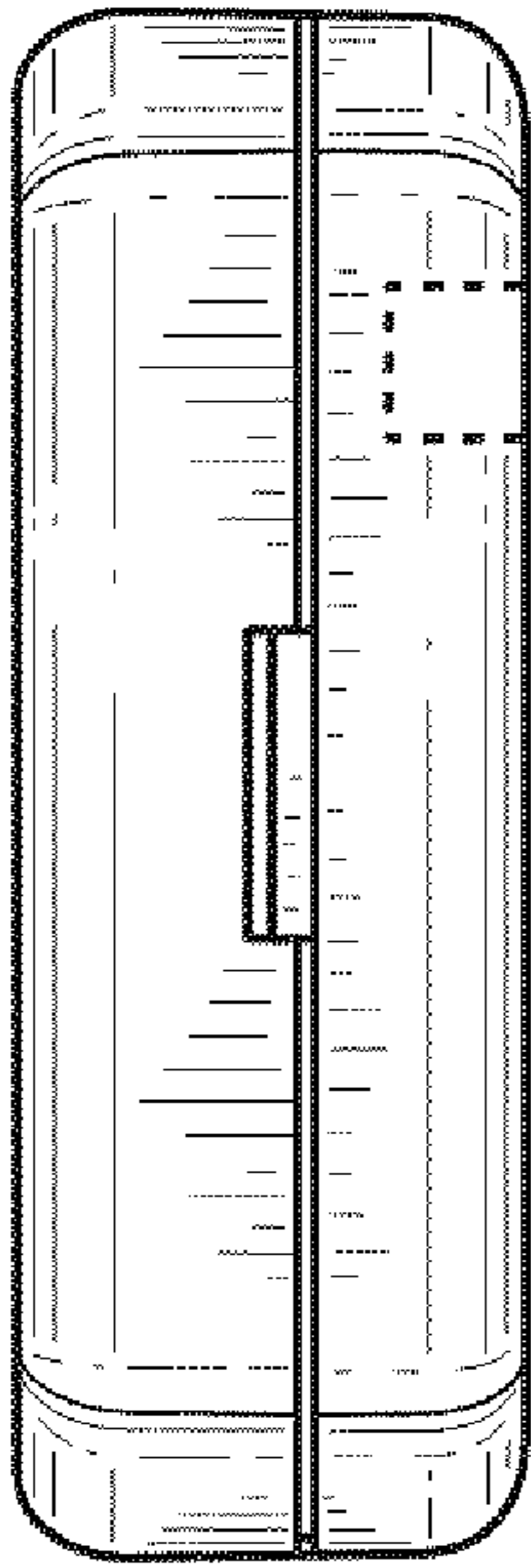
FIG. 1 is a front perspective view of a cassette for a medical device of our new design;  
FIG. 2 is a front view thereof;  
FIG. 3 is a rear view thereof;  
FIG. 4 is a right-side view thereof;  
FIG. 5 is a left-side view thereof;  
FIG. 6 is a top plan view thereof;  
FIG. 7 is a bottom plan view thereof; and,  
FIG. 8 is a rear perspective view thereof.  
The broken lines depict portions of the cassette for a medical device that form no part of the claimed design.

**1 Claim, 5 Drawing Sheets**

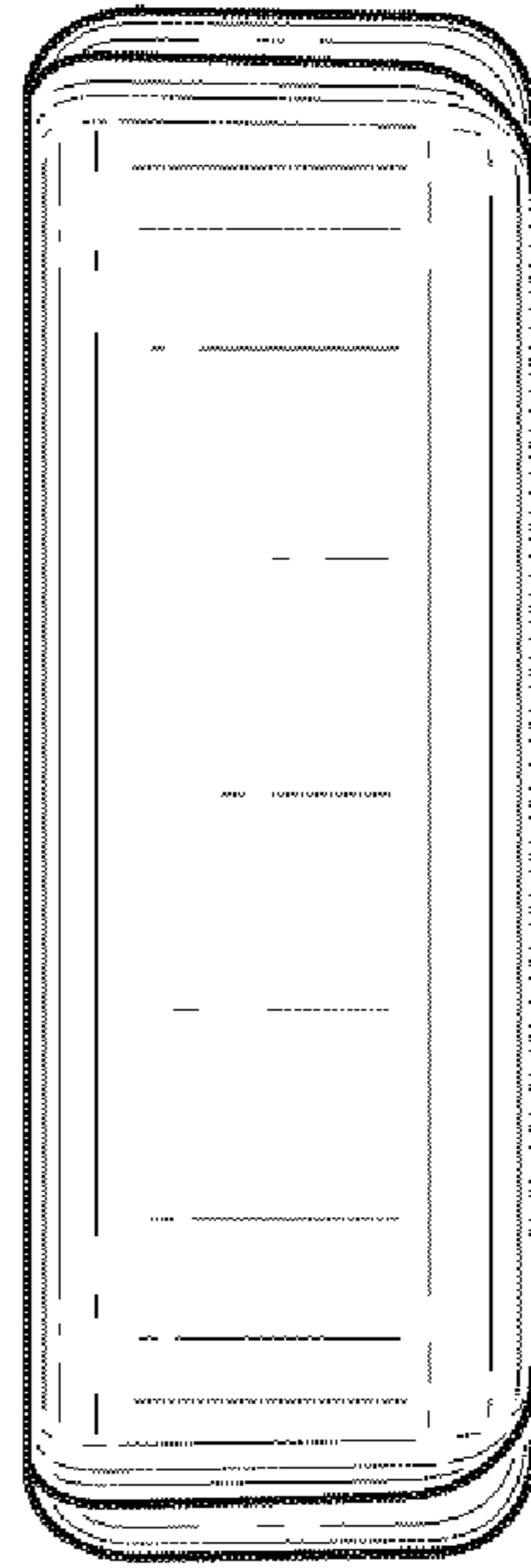




**FIG. 1**

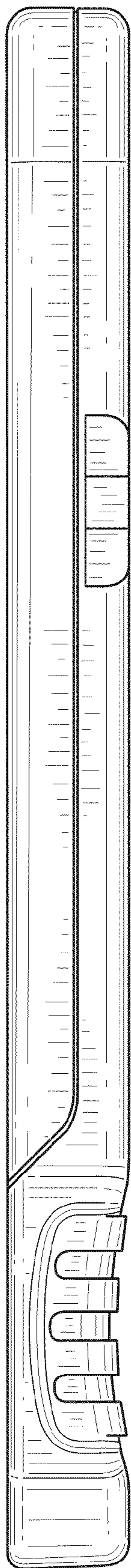


**FIG. 2**

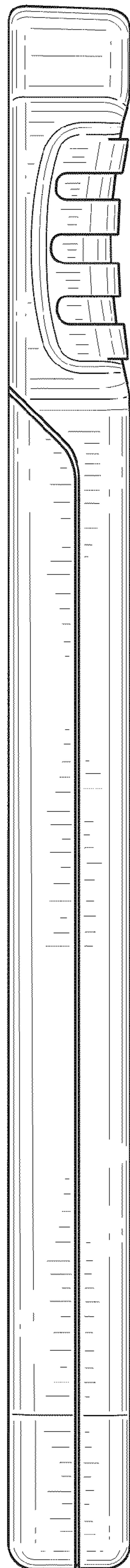


**FIG. 3**

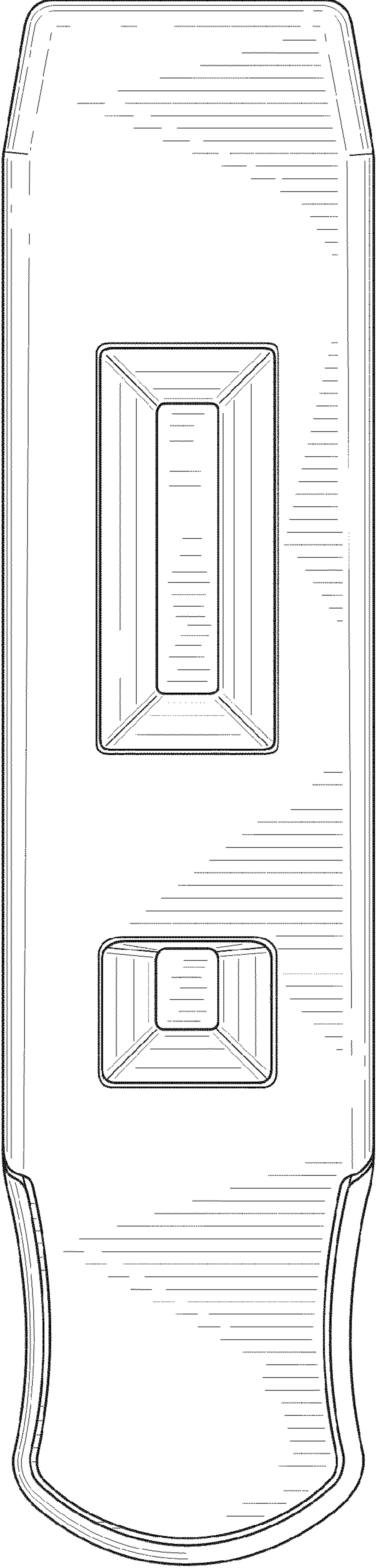




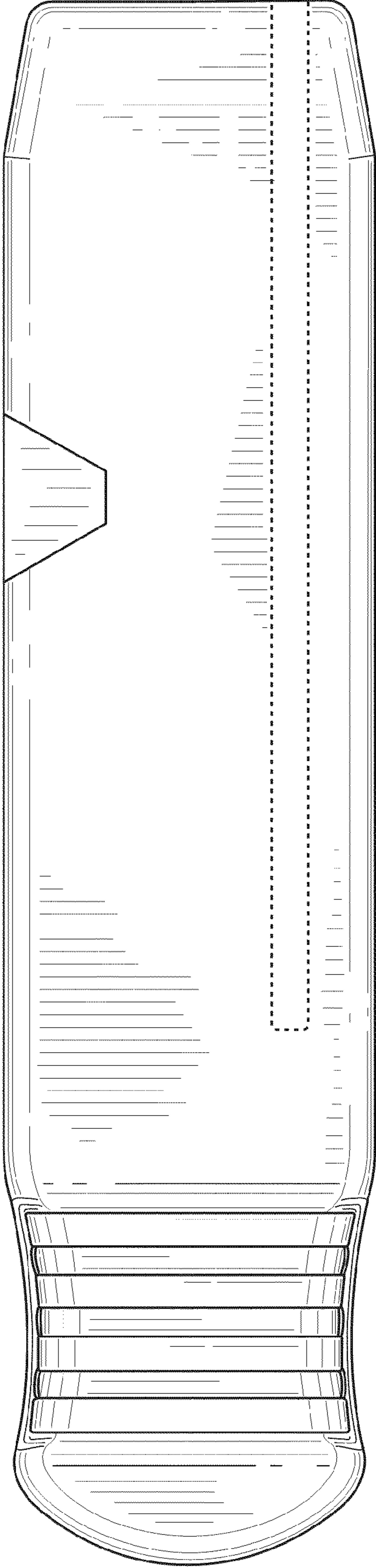
**FIG. 4**



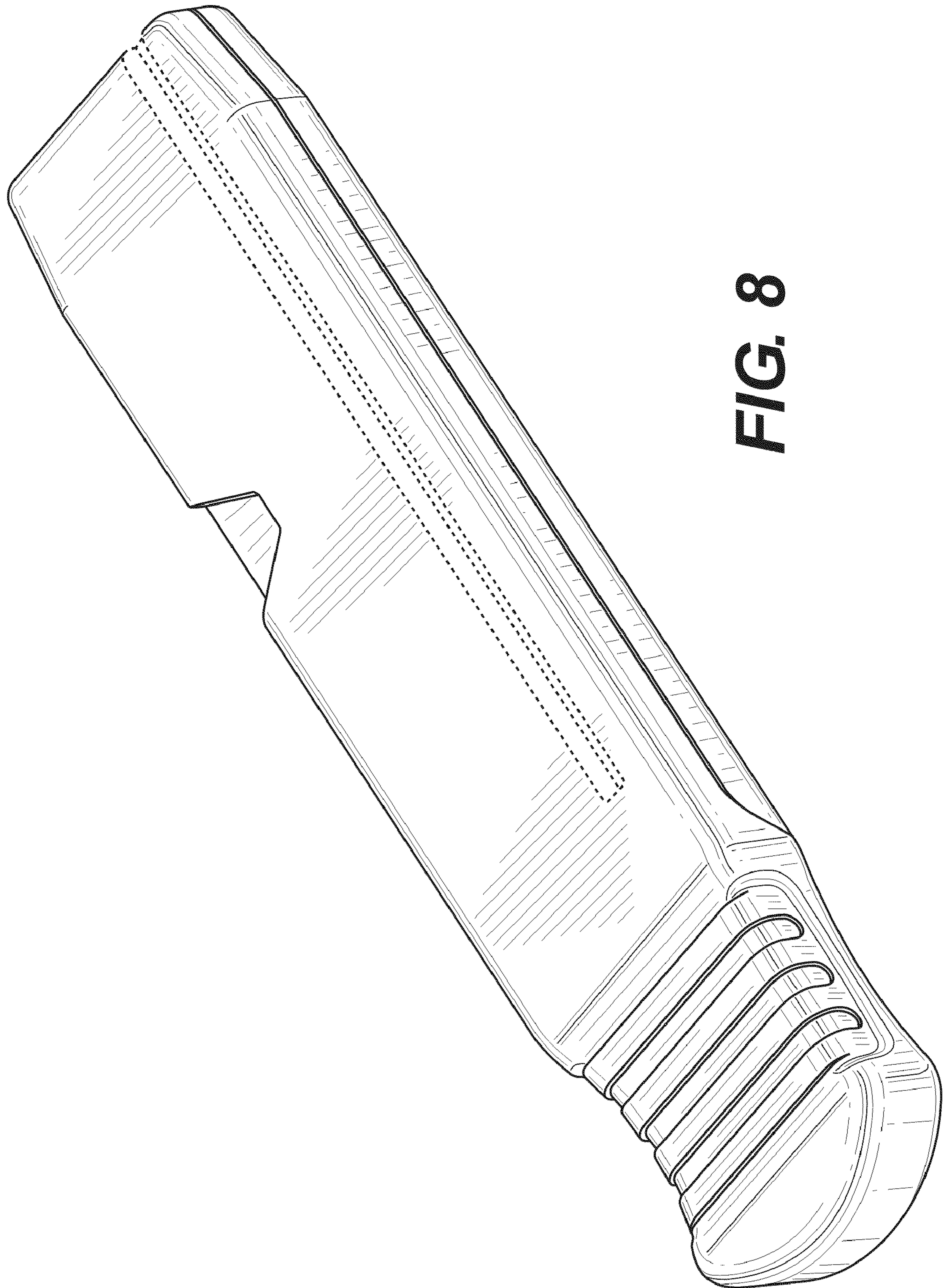
**FIG. 5**



**FIG. 6**



**FIG. 7**



**FIG. 8**