



US00D655419S

(12) **United States Design Patent**
Roggenkamp

(10) **Patent No.:** **US D655,419 S**

(45) **Date of Patent:** **** Mar. 6, 2012**

(54) **SLEEP AID**

(76) Inventor: **Kelly D. Roggenkamp**, Georgetown, IN (US)

(**) Term: **14 Years**

(21) Appl. No.: **29/383,792**

(22) Filed: **Jan. 21, 2011**

(51) **LOC (9) Cl.** **24-01**

(52) **U.S. Cl.** **D24/184**; D8/366

(58) **Field of Classification Search** D24/110, D24/110.1, 127-128, 171, 183-184, 190-191, D24/206, 231; D6/323, 411, 574; D8/37, D8/40, 363, 365-367, 349, 394-395, 380-381, D8/371-373, 353-354, 404; D12/51, 126, D12/223, 162, 187; D21/662, 789; D23/441; 248/15, 208, 210, 220.22, 243, 265, 267; D34/35; D25/119, 126, 131-132, 68; 52/426, 52/506.06, 506.07, 686-687; D9/434, 447; D14/432, 238; D26/138; D29/113

See application file for complete search history.

(56) **References Cited**

U.S. PATENT DOCUMENTS

2,284,058	A	5/1942	Kaiser et al.	
2,528,370	A	10/1950	Johnston	
D270,574	S *	9/1983	Black	D25/68
D274,803	S *	7/1984	Hughes	D12/126
4,700,697	A	10/1987	Mundell et al.	
4,782,824	A	11/1988	Davies	
D310,520	S *	9/1990	Bedard	D14/432
D312,185	S *	11/1990	Prater, Sr.	D6/574
D321,124	S *	10/1991	Gary	D8/373
D321,125	S *	10/1991	Gary	D8/373
D322,211	S *	12/1991	Gary	D8/373
D368,059	S *	3/1996	Barth	D12/162
D376,972	S *	12/1996	Zissu	D8/354
D396,836	S *	8/1998	Bennetch	D12/187
D407,821	S *	4/1999	Steele	D24/190
D409,077	S *	5/1999	Brooks	D8/354
D410,089	S *	5/1999	Schiavoni	D24/191
D420,565	S *	2/2000	Griffiths	D8/354
D422,886	S *	4/2000	Shea	D8/354
6,231,535	B1	5/2001	Mainiero et al.	

D482,824	S *	11/2003	Robinson	D29/113
D487,122	S *	2/2004	Farris, Jr.	D21/662
6,725,511	B1	4/2004	Rodseth	
6,786,554	B1	9/2004	Zahiri	
D509,468	S *	9/2005	Viger	D12/223
D520,322	S *	5/2006	Orlando	D8/70
D529,792	S *	10/2006	Klein et al.	D8/373
D533,828	S *	12/2006	Reimitz	D12/223
D550,849	S *	9/2007	Baker	D24/191
D556,014	S *	11/2007	Wurdack	D8/349
D582,918	S *	12/2008	Scott	D14/432

(Continued)

Primary Examiner — T. Chase Nelson

Assistant Examiner — Mark Cavanna

(74) *Attorney, Agent, or Firm* — Robert H. Eichenberger; Scott W. Higdon; Middleton Reutlinger

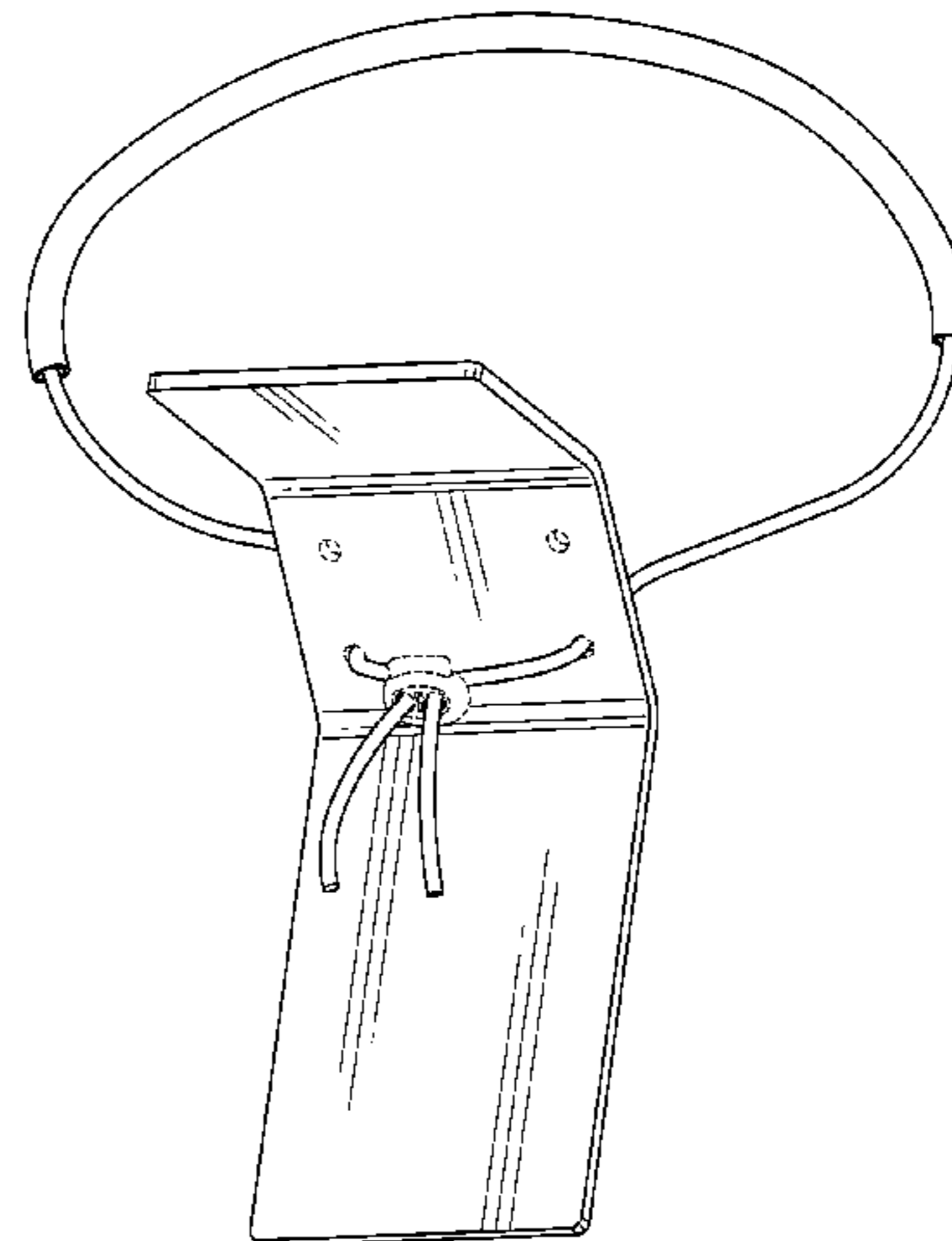
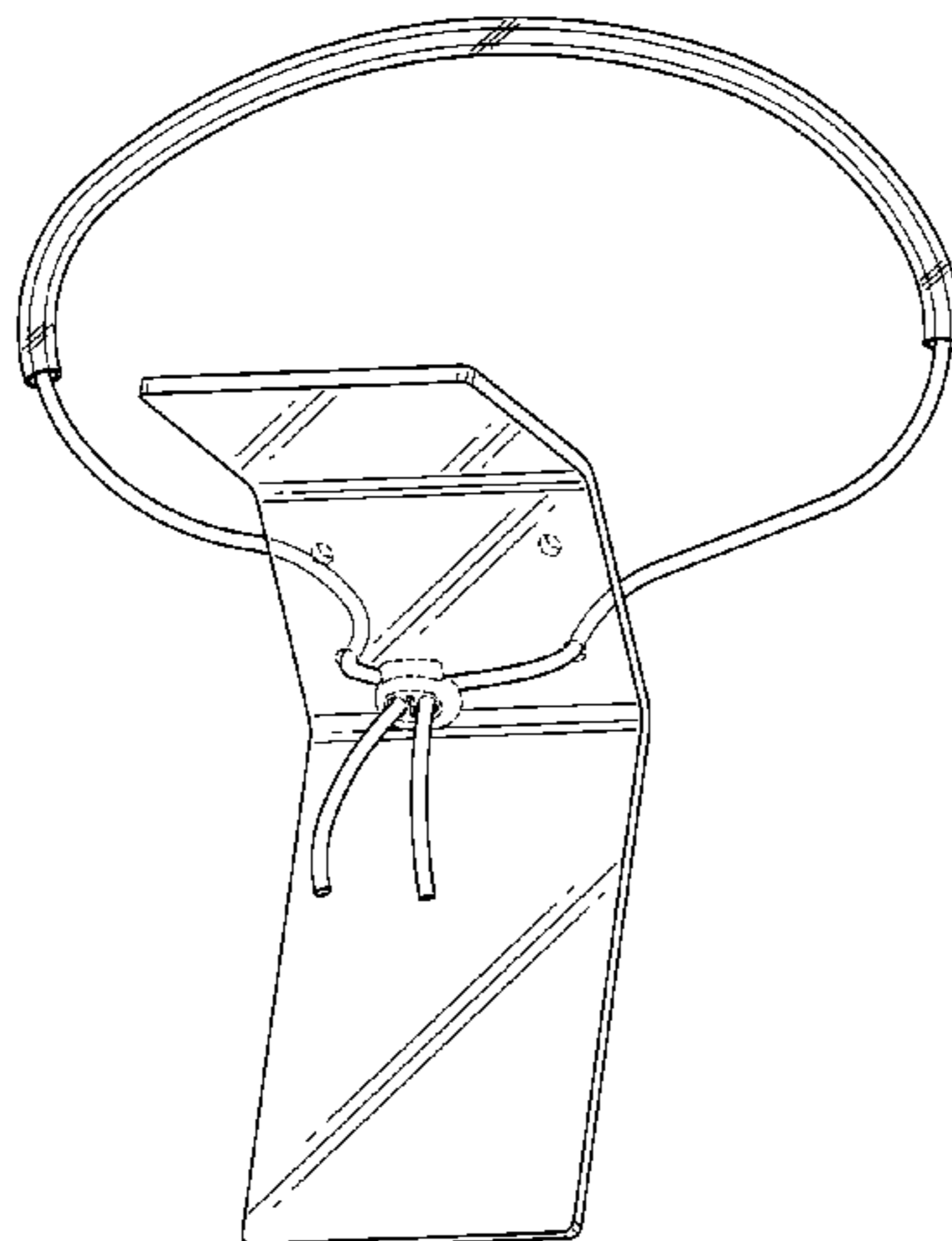
(57) **CLAIM**

The ornamental design for a sleep aid, as shown and described.

DESCRIPTION

FIG. 1 is a front left side perspective view of a first embodiment of a sleep aid showing my design; FIG. 2 is a front elevational view thereof; FIG. 3 is a rear elevational view thereof; FIG. 4 is a right side elevational view thereof; FIG. 5 is a left side elevational view thereof; FIG. 6 is a top plan view thereof; FIG. 7 is a bottom plan view thereof; FIG. 8 is a front left side perspective view of a second embodiment of the sleep aid of my design; FIG. 9 is a front elevational view thereof; FIG. 10 is a rear elevational view thereof; FIG. 11 is a right side elevational view thereof; FIG. 12 is a left side elevational view thereof; FIG. 13 is a top plan view thereof; and, FIG. 14 is a bottom plan view thereof. The broken lines showing environmental structure are for illustrative purposes only and form no part of the claimed design.

1 Claim, 14 Drawing Sheets



US D655,419 S

Page 2

U.S. PATENT DOCUMENTS

D584,598 S *	1/2009	Dale	D8/354	D636,927 S *	4/2011	Lin	D26/138
D592,760 S *	5/2009	Diener et al.	D24/231	2006/0266369 A1	11/2006	Atkinson et al.		
D597,086 S *	7/2009	Sergi et al.	D14/238	2008/0041374 A1	2/2008	Reddick		
D609,996 S *	2/2010	Le	D8/380	2008/0223377 A1	9/2008	Kussick		
D615,187 S *	5/2010	Bowden	D24/110	2009/0264802 A1	10/2009	Chen		

* cited by examiner

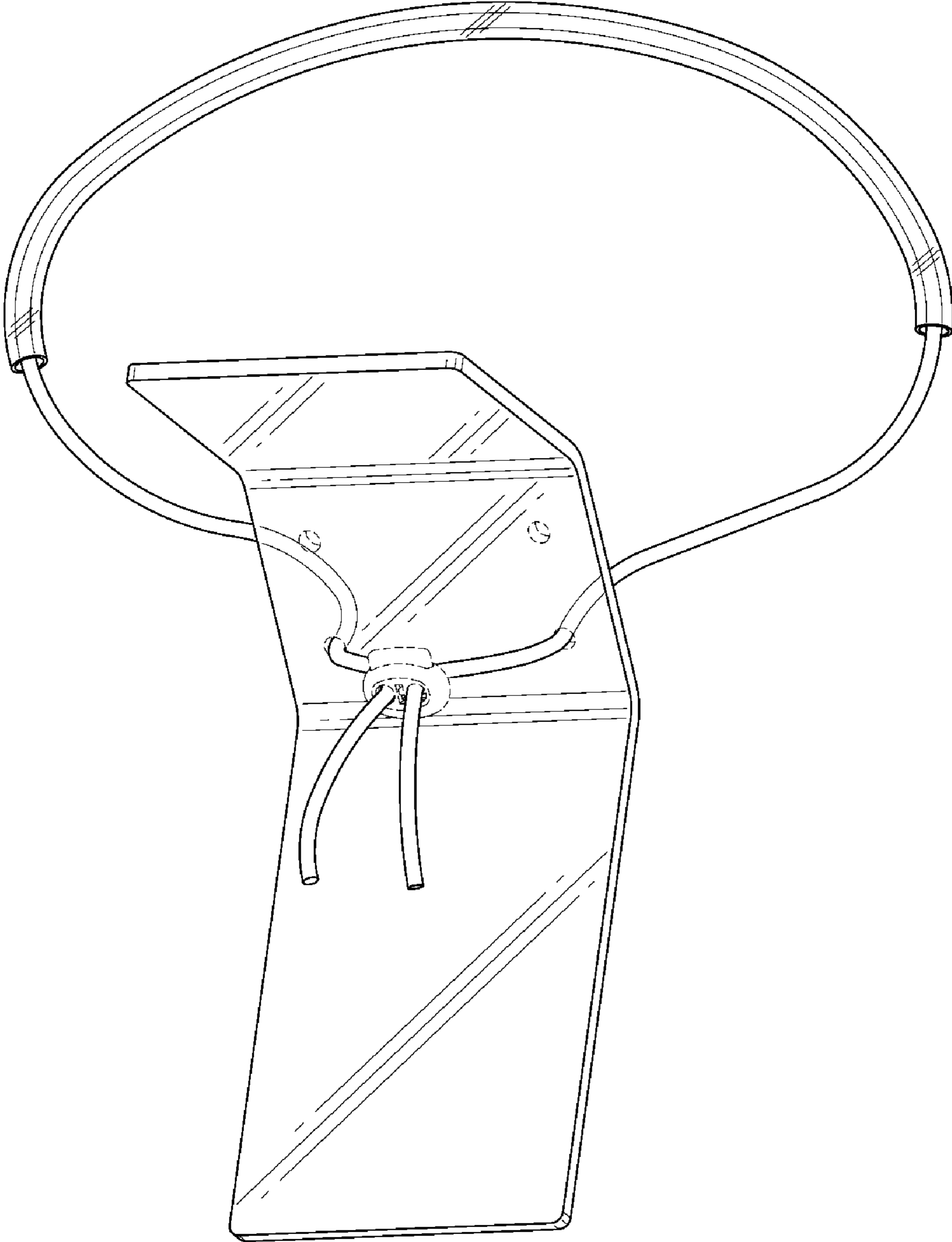


FIG. 1

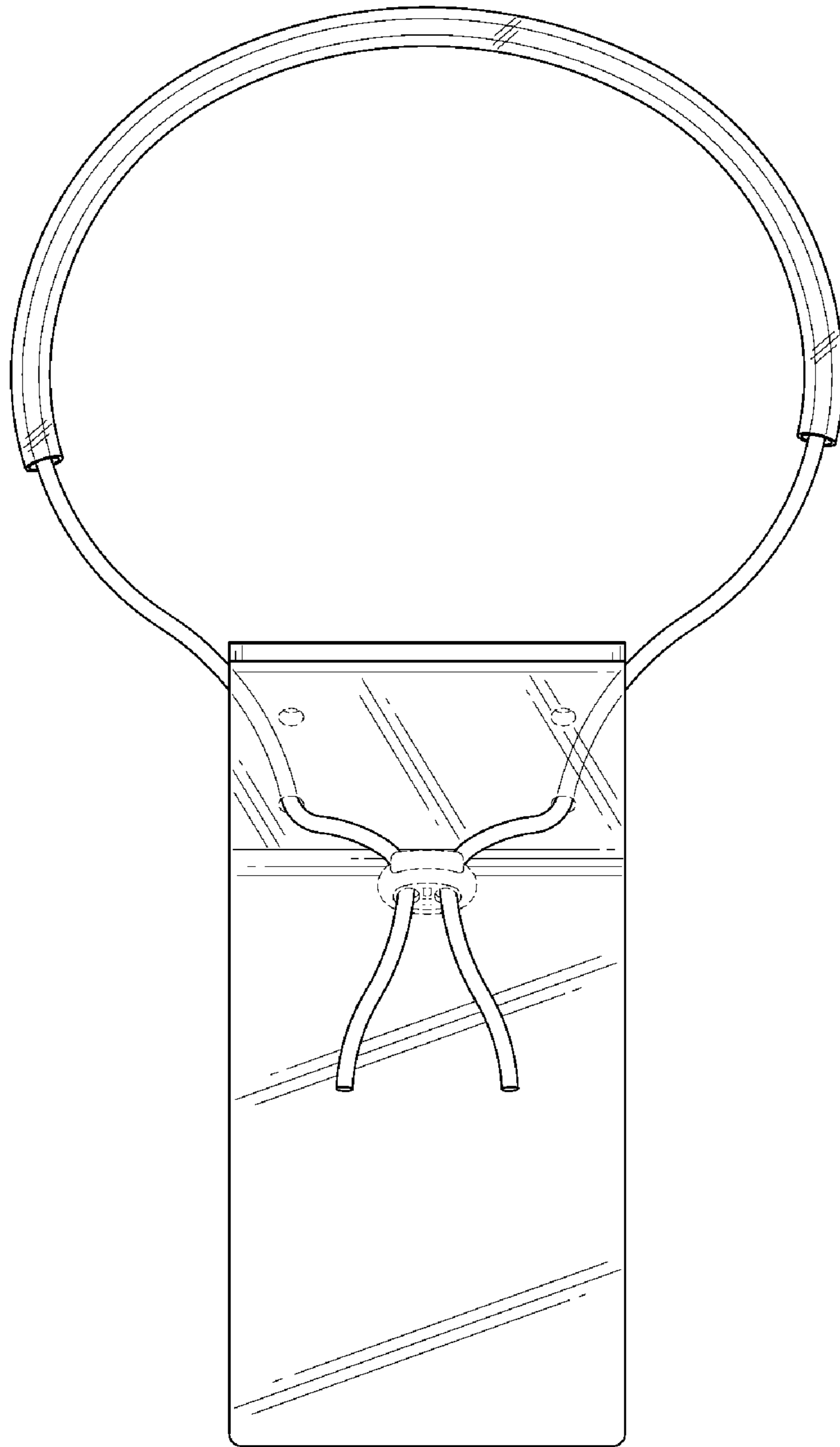


FIG. 2

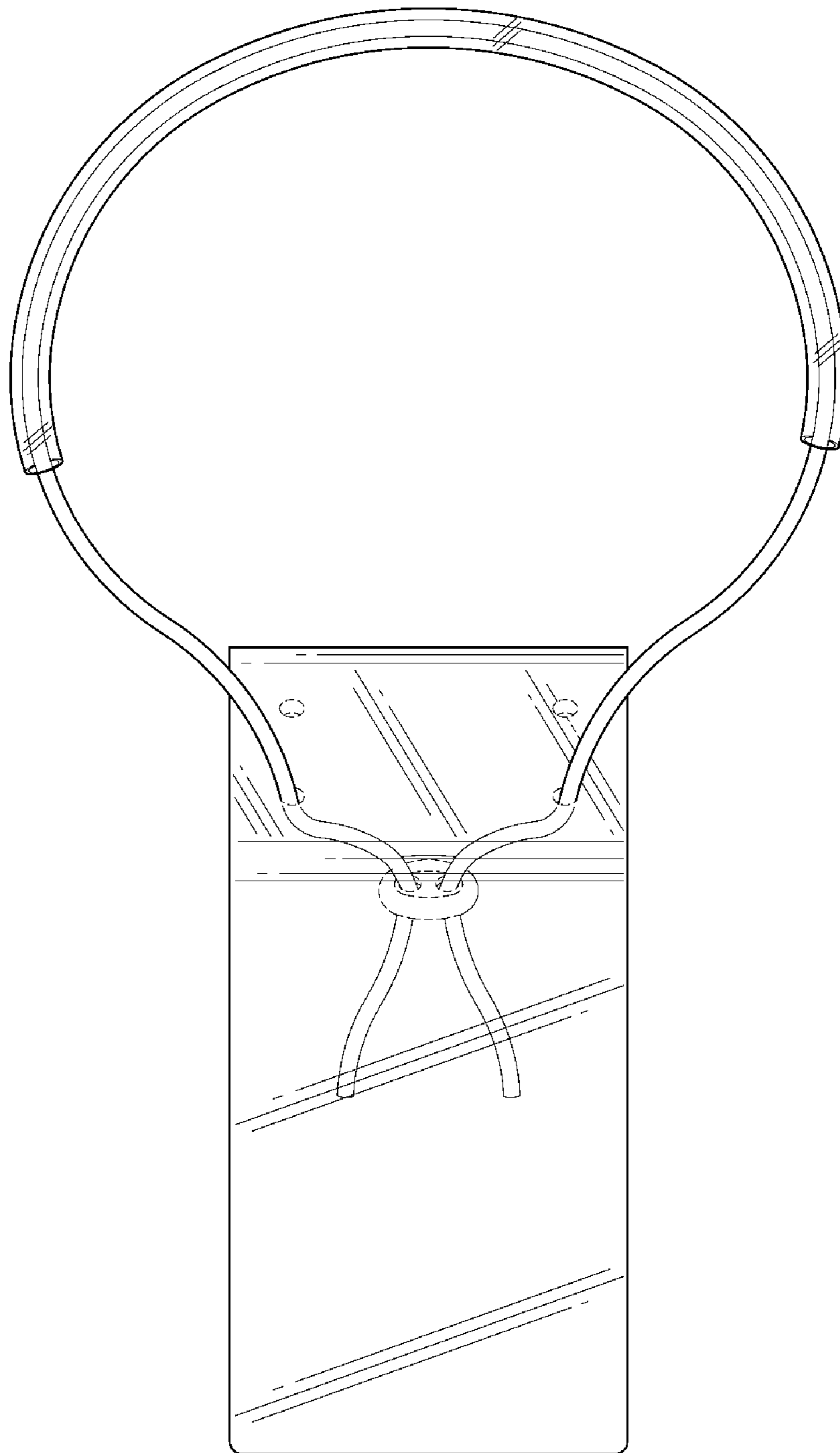


FIG. 3

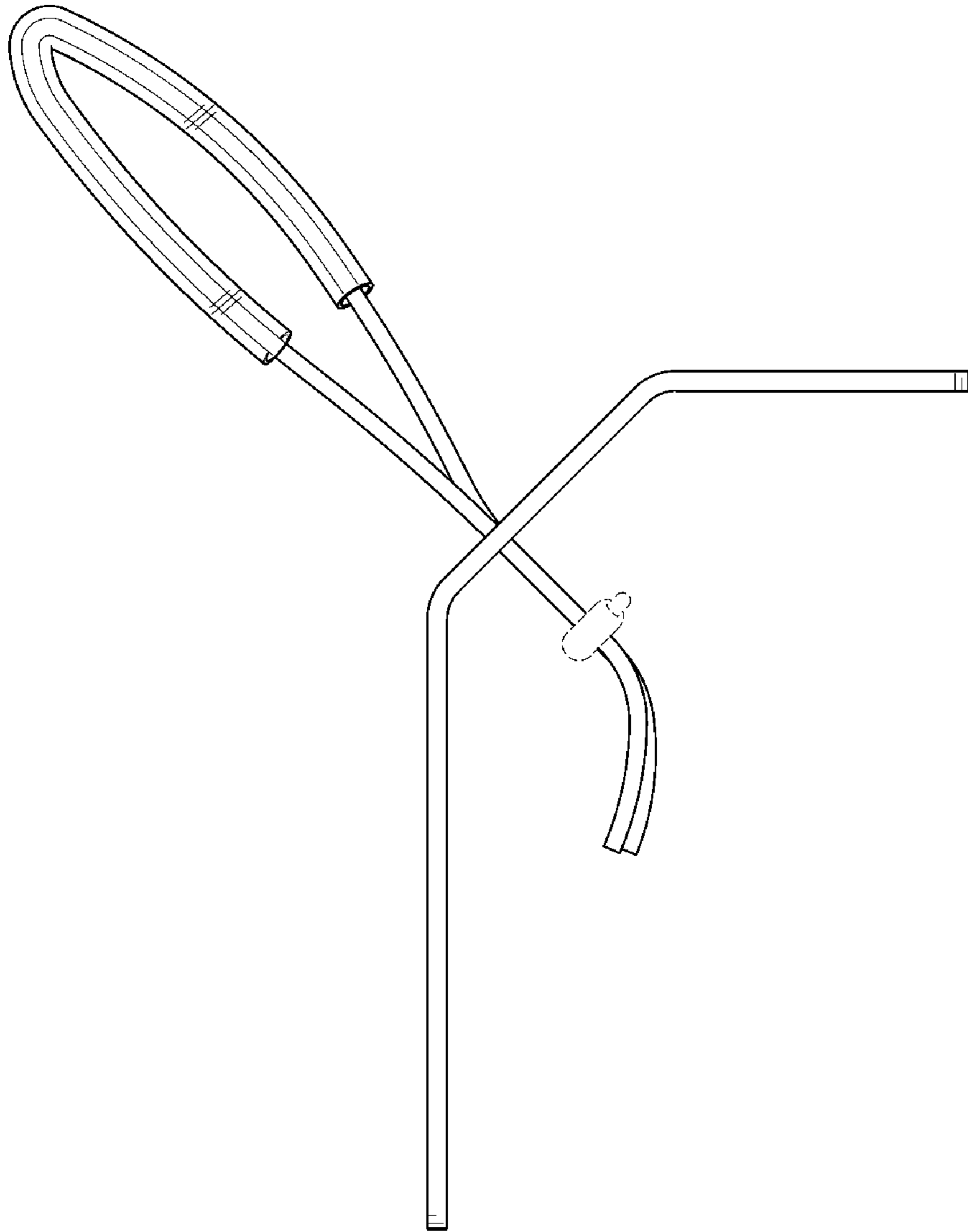


FIG. 4

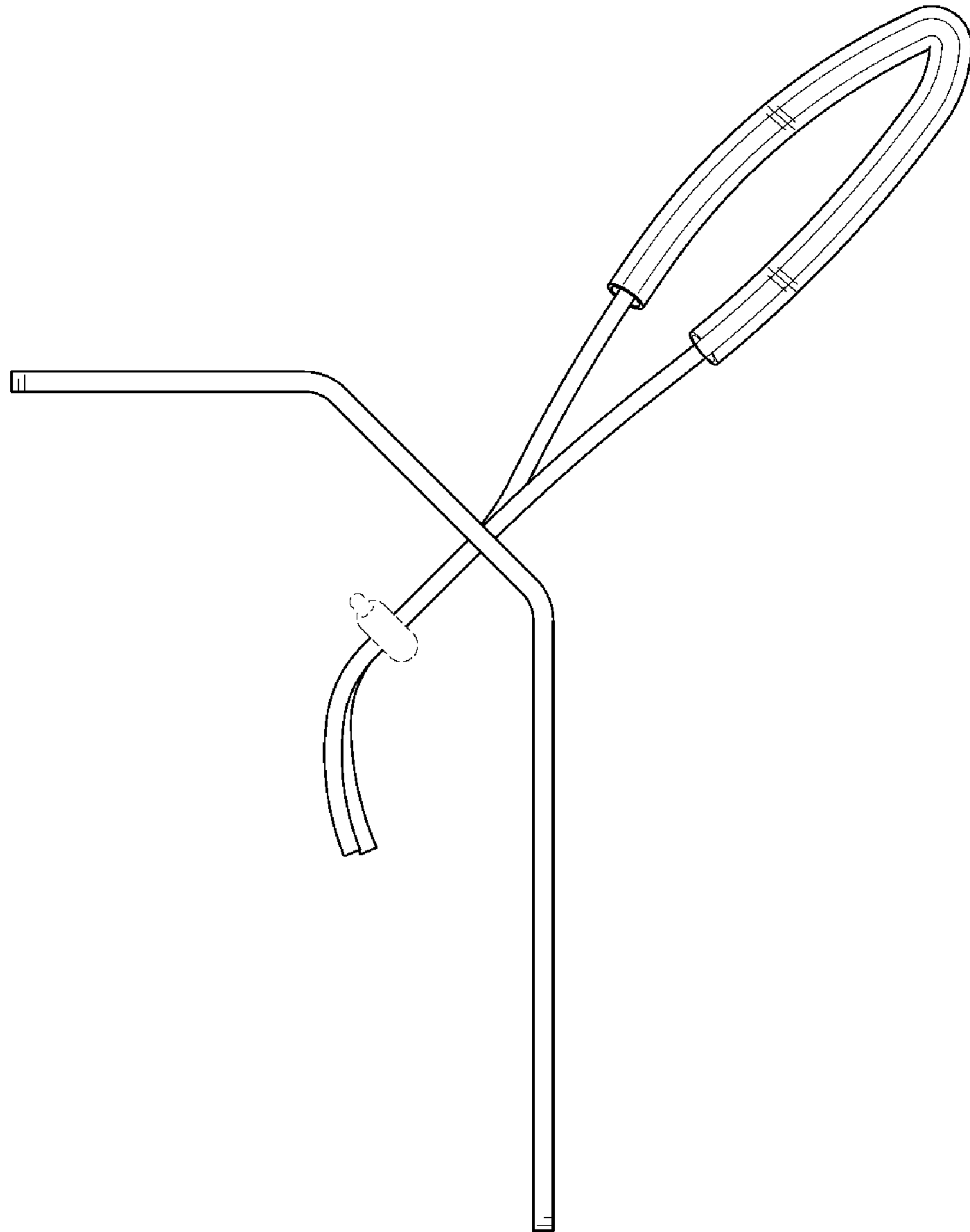


FIG. 5

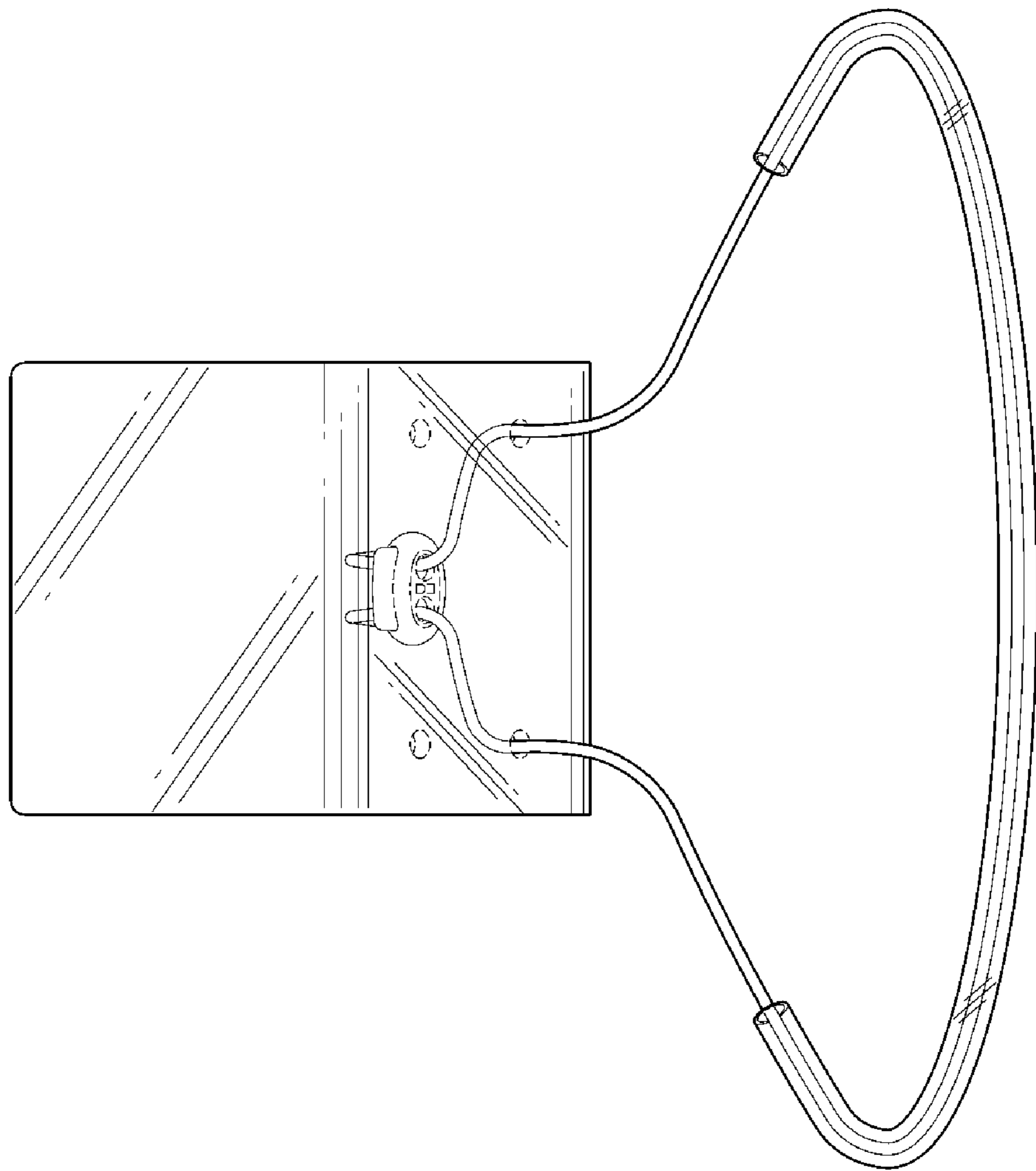


FIG. 6

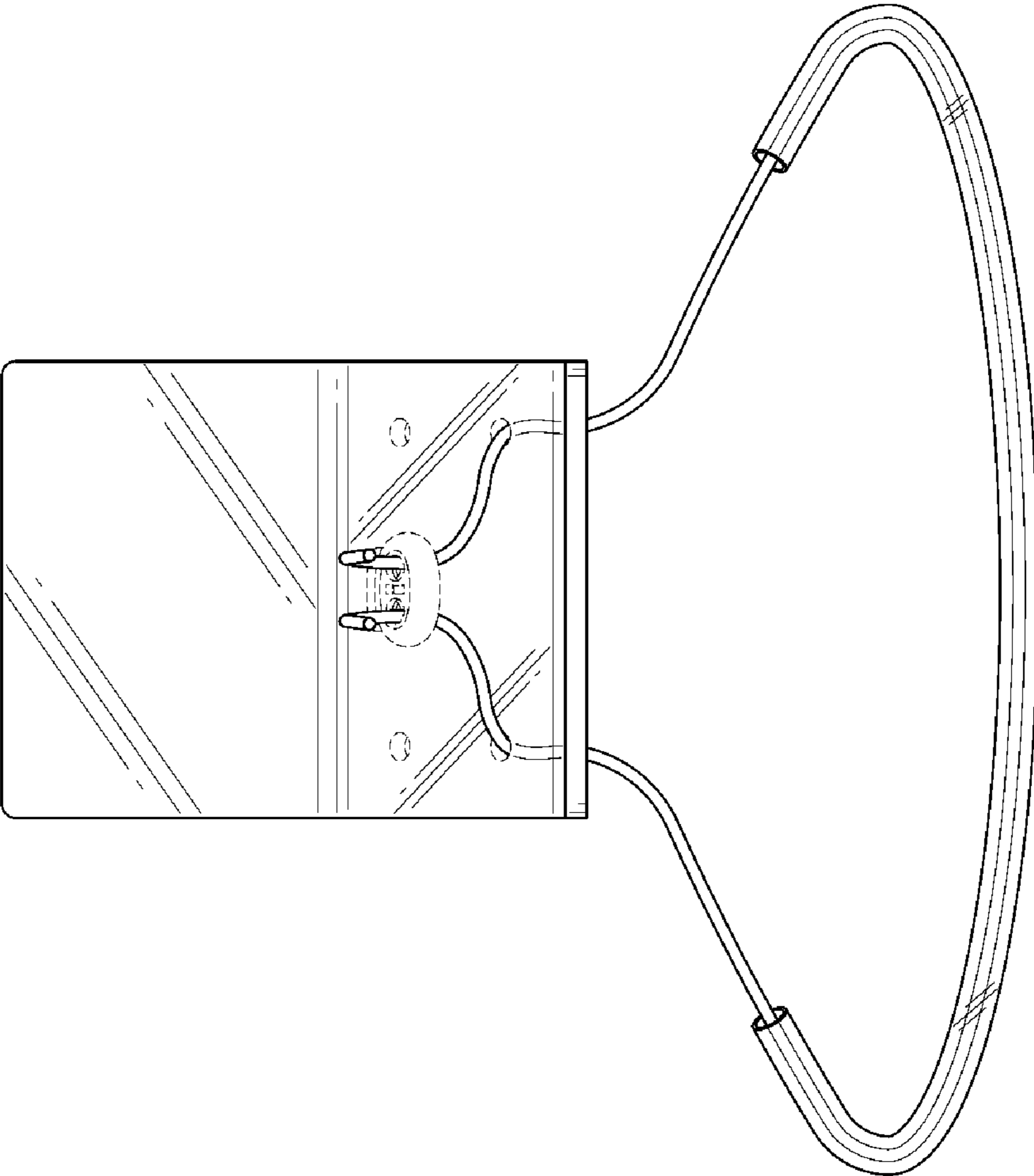


FIG. 7

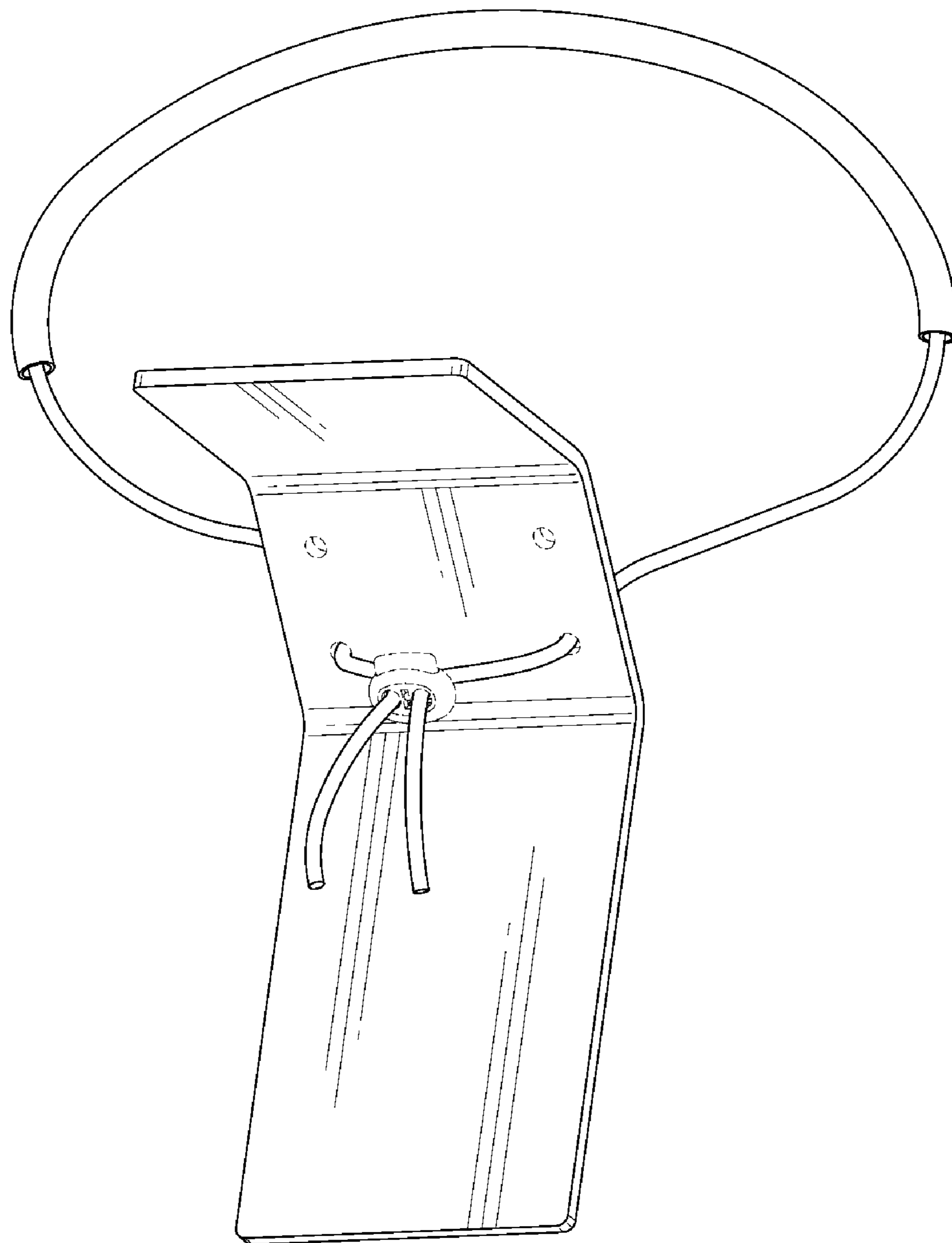


FIG. 8

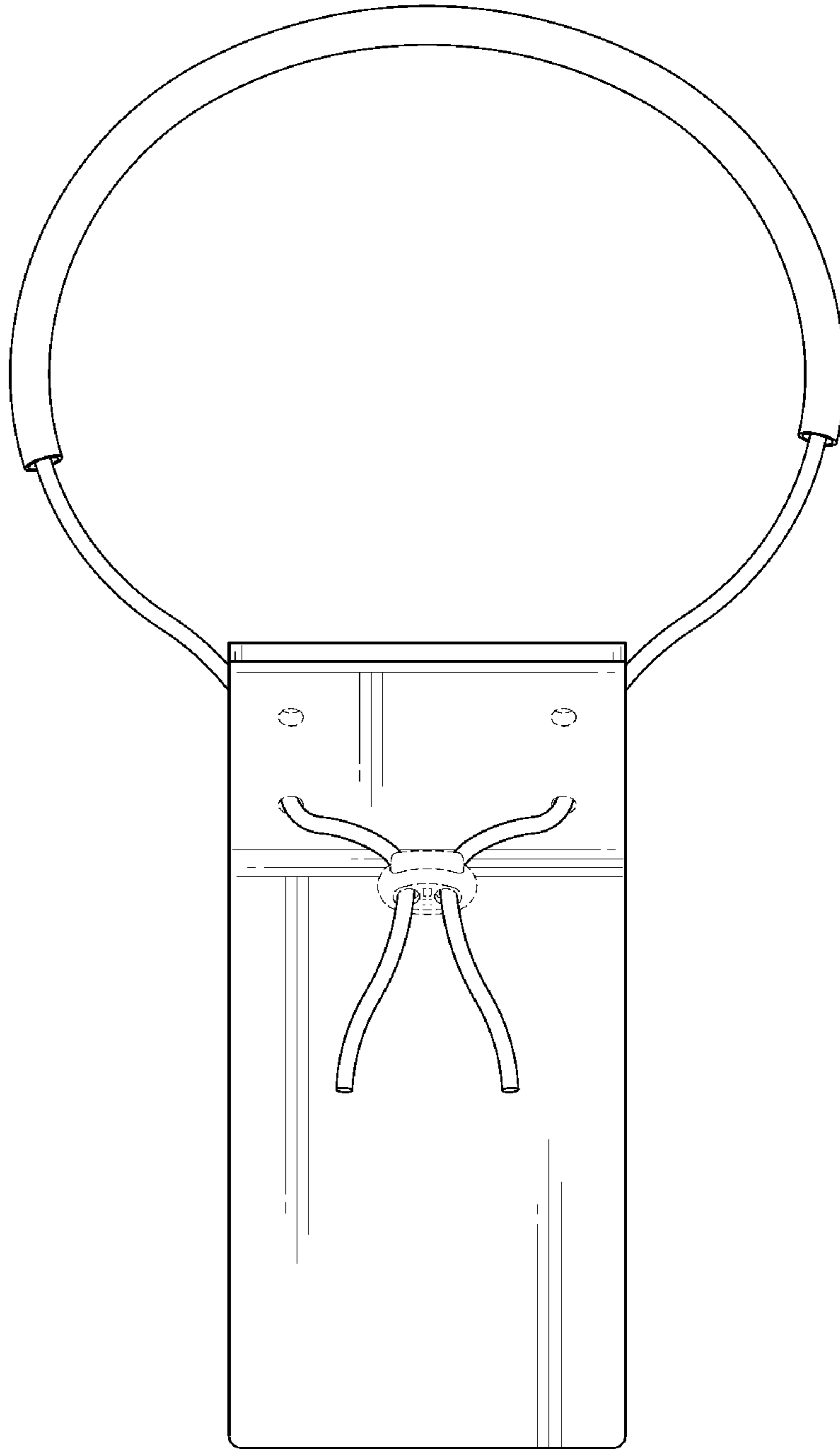


FIG. 9

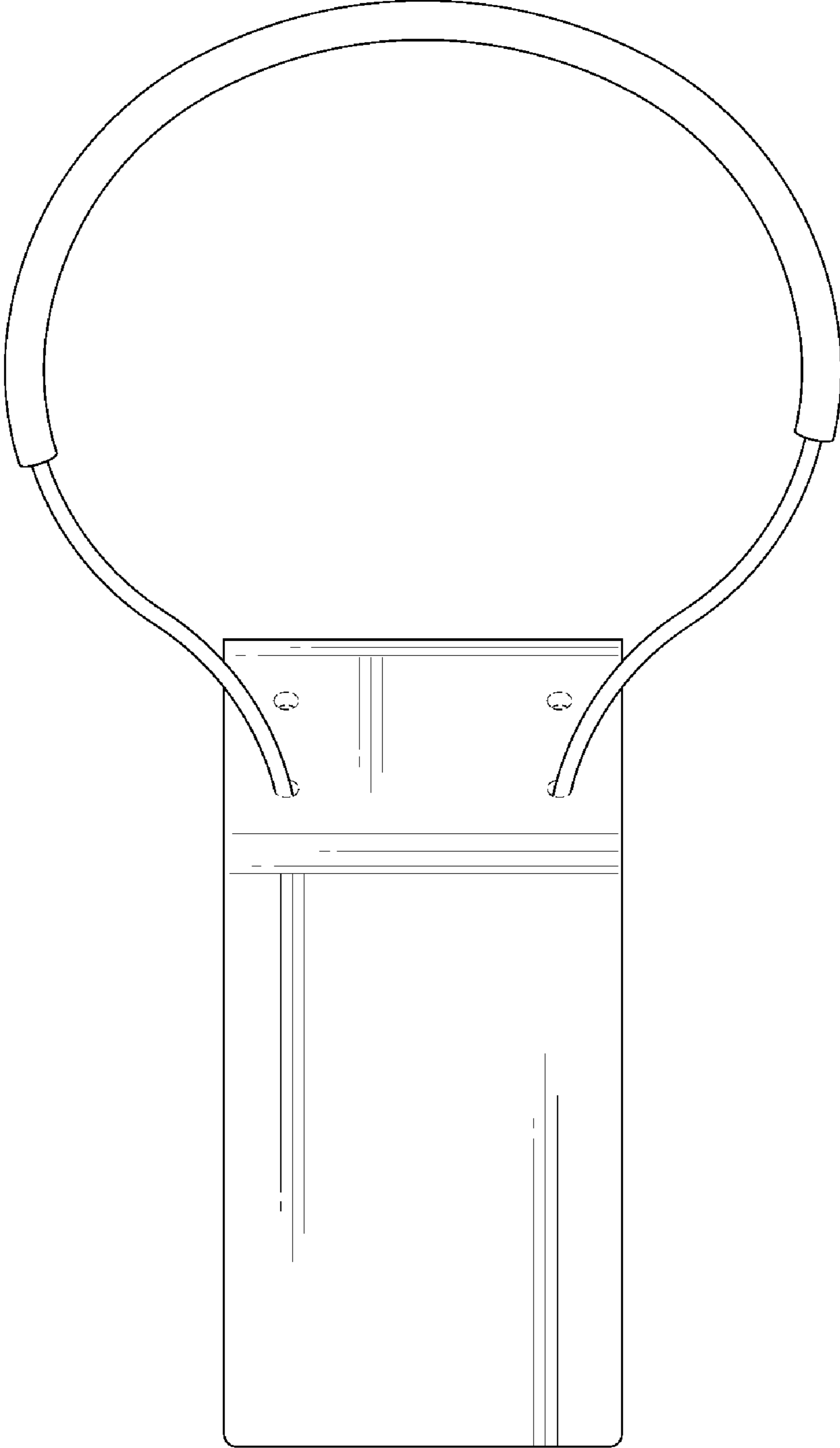


FIG. 10

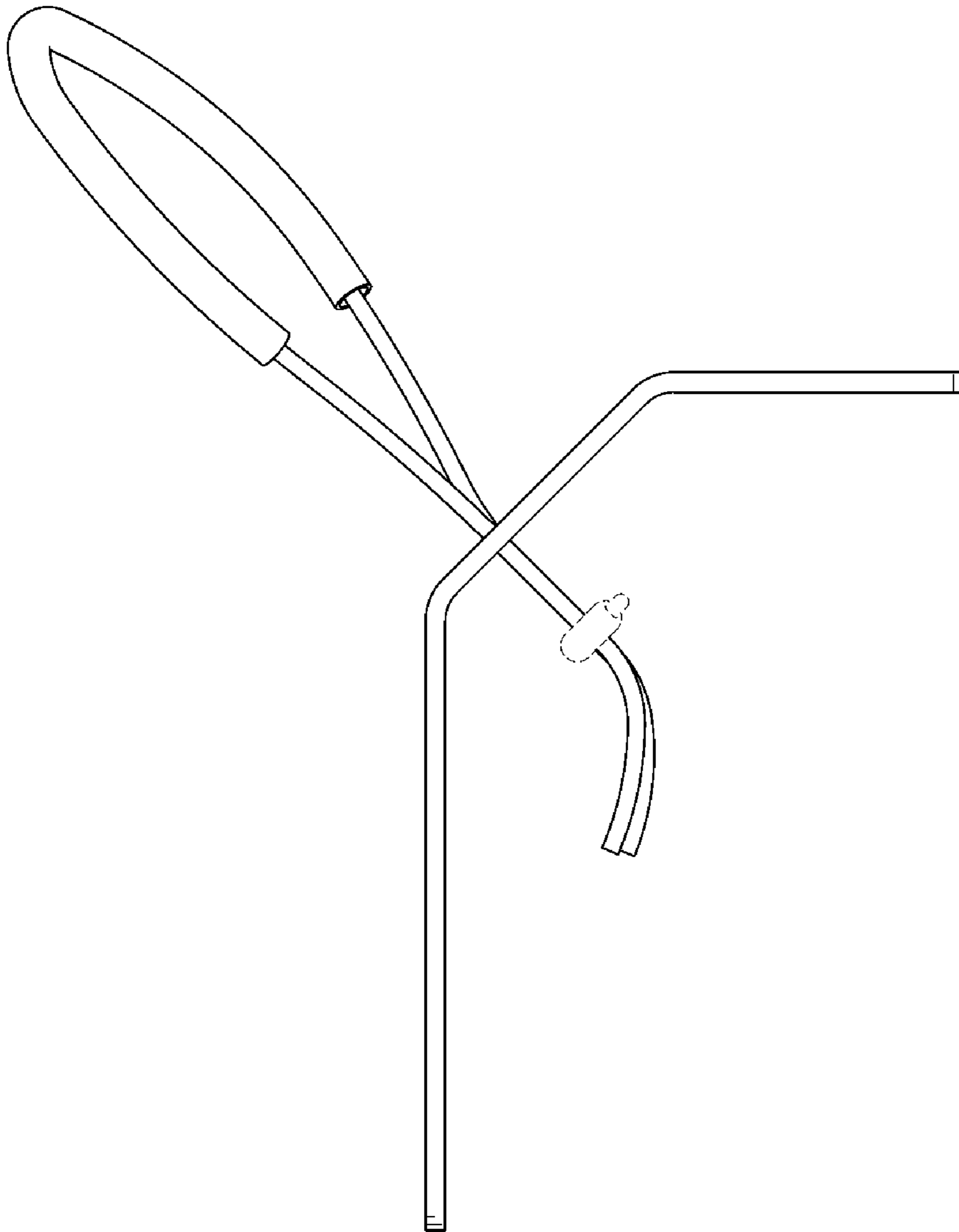


FIG. 11

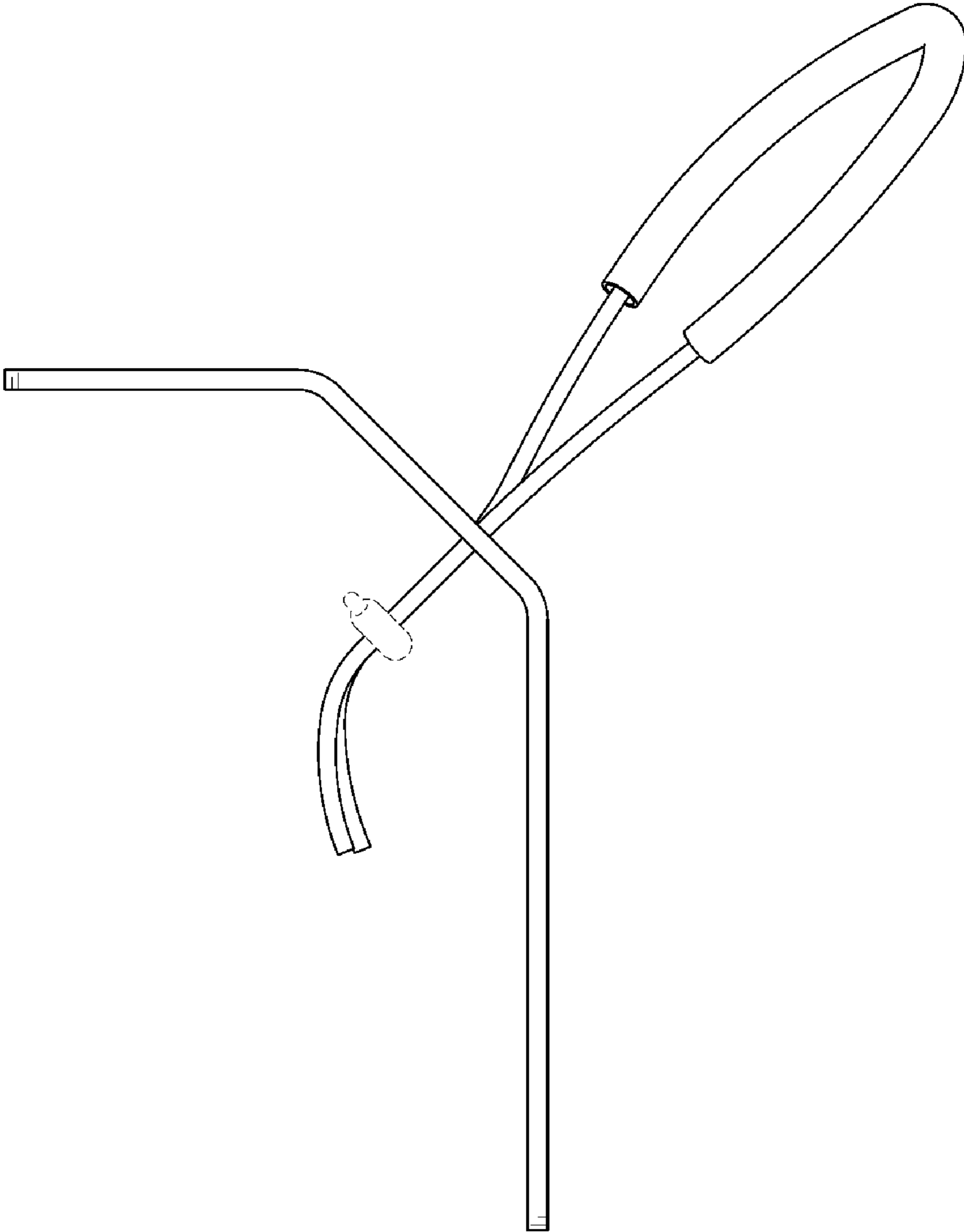


FIG. 12

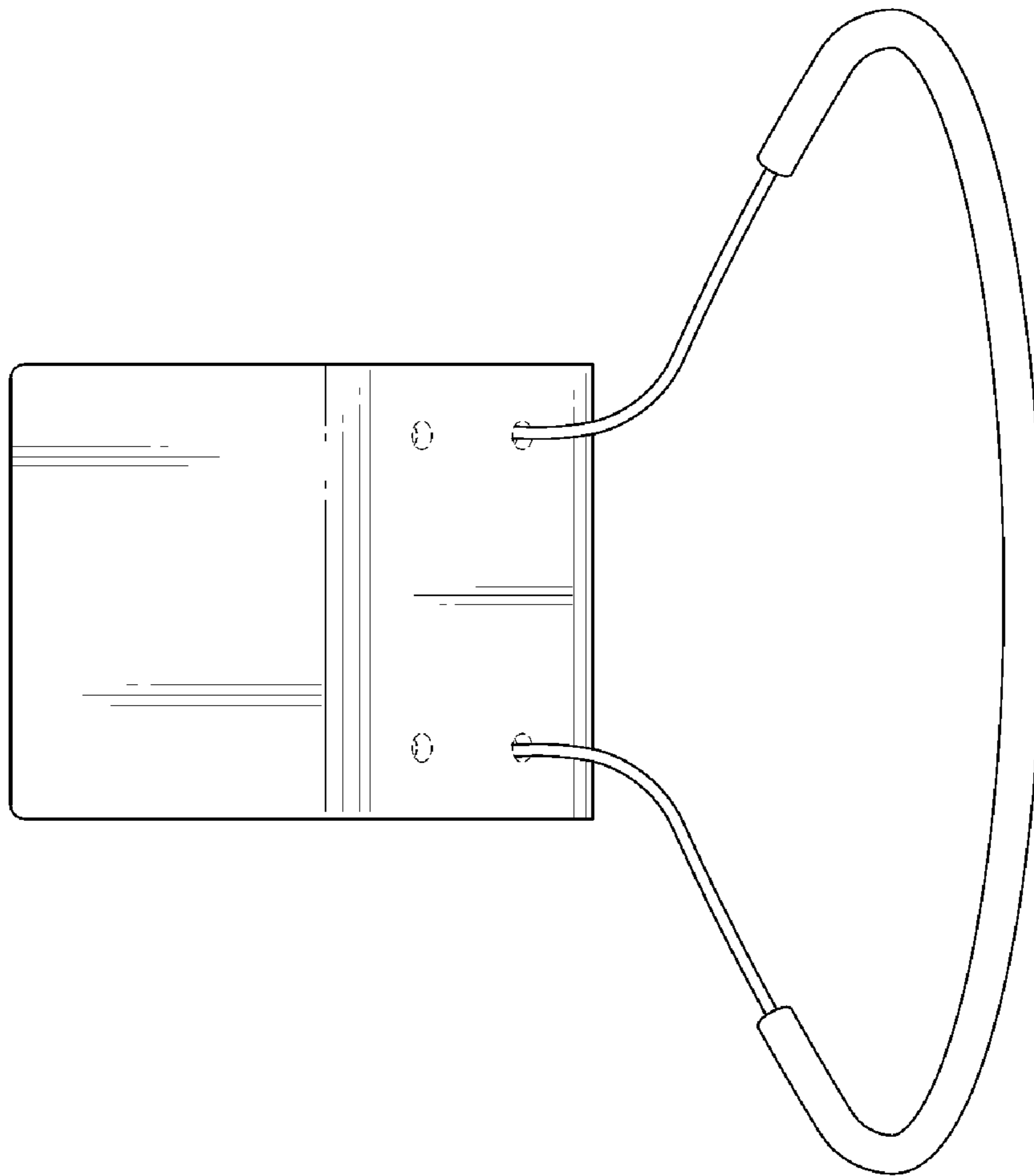


FIG. 13

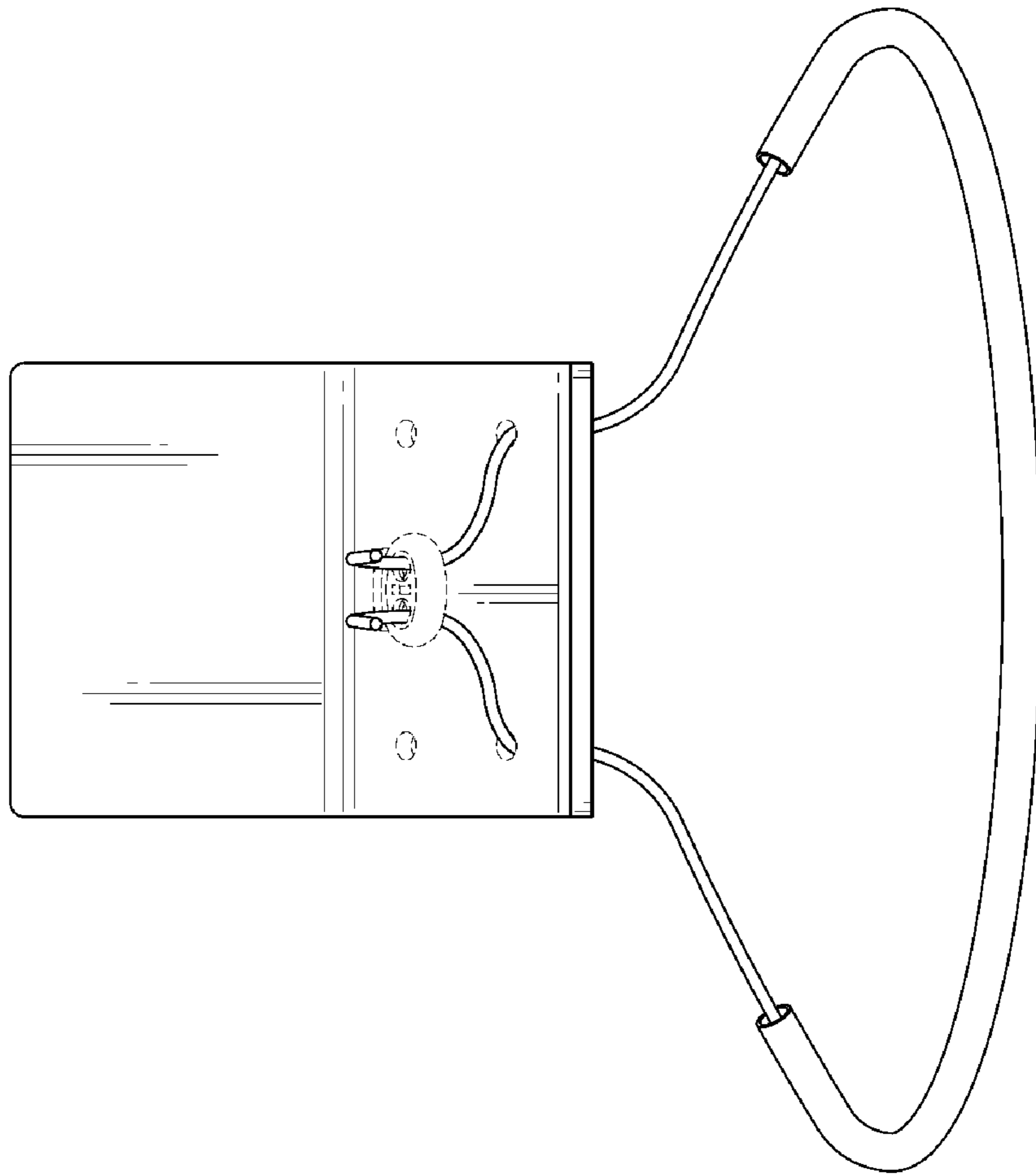


FIG. 14