



US00D655415S

(12) **United States Design Patent**  
**Chaffringeon**

(10) **Patent No.:** **US D655,415 S**

(45) **Date of Patent:** **\*\* Mar. 6, 2012**

(54) **HYGIENE ARTICLE**

(76) Inventor: **Bernard Chaffringeon**, Bulach (CH)

(\*\*) Term: **14 Years**

(21) Appl. No.: **29/367,842**

(22) Filed: **Aug. 13, 2010**

(51) **LOC (9) Cl.** ..... **24-02**

(52) **U.S. Cl.** ..... **D24/141**

(58) **Field of Classification Search** ..... D24/141,  
D24/114, 119, 133, 135, 137; 604/11, 14-16,  
604/385.01, 385.17, 904

See application file for complete search history.

(56) **References Cited**

**U.S. PATENT DOCUMENTS**

3,613,122	A *	10/1971	Gross et al.	.....	604/11
D319,508	S *	8/1991	Peiler	.....	D24/141
D323,212	S *	1/1992	Crawford	.....	D24/141
D333,702	S *	3/1993	Huffman	.....	D24/135
D446,580	S *	8/2001	Allende	.....	D24/141

D455,211	S *	4/2002	Allende	.....	D24/141
2010/0121251	A1 *	5/2010	Van Ingelgem et al.	.....	604/11
2011/0040234	A1 *	2/2011	Chaffringeon	.....	604/15

\* cited by examiner

*Primary Examiner* — Wan Laymon

(74) *Attorney, Agent, or Firm* — Oliff & Berridge, PLC

(57) **CLAIM**

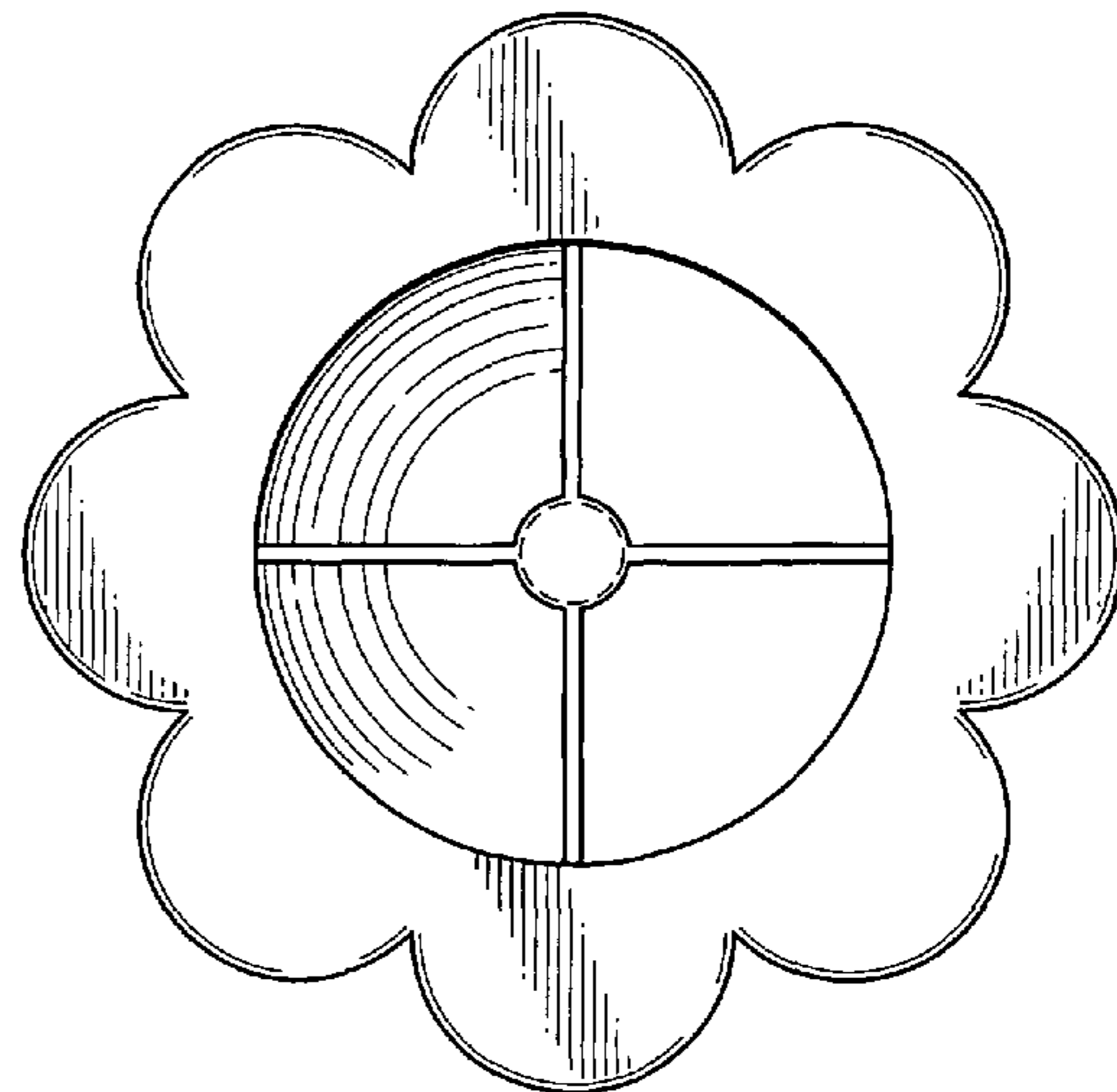
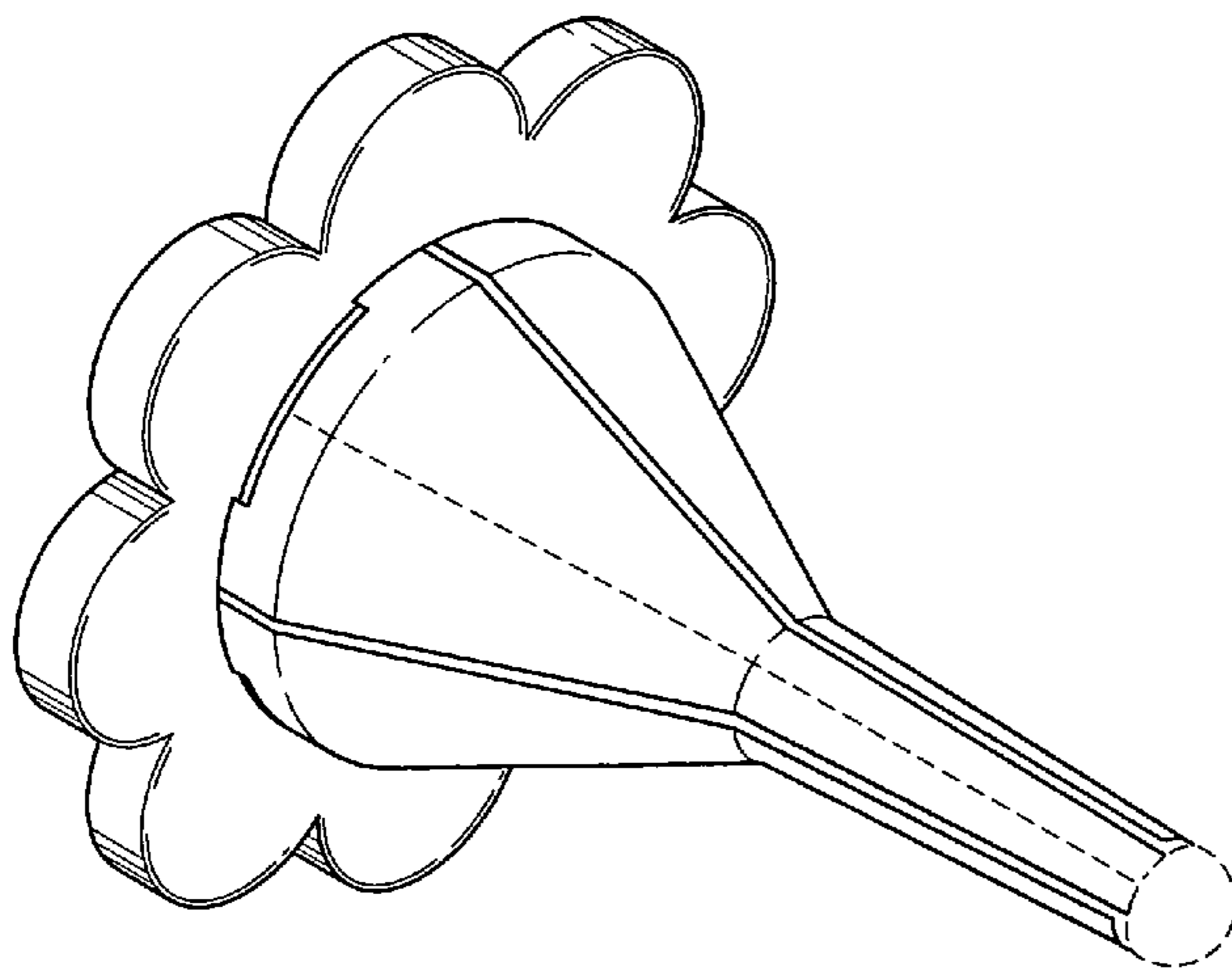
The ornamental design for a hygiene article, as shown and described.

**DESCRIPTION**

FIG. 1 is a perspective view of a hygiene article;  
FIG. 2 is a front view thereof;  
FIG. 3 is a top view thereof;  
FIG. 4 is a right side view thereof, the left side being a mirror image;  
FIG. 5 is a bottom view thereof; and,  
FIG. 6 is a cross-sectional view thereof taken along the line of 6-6 in FIG. 2.

The broken lines depict environmental subject matter only and form no part of the claimed design.

**1 Claim, 6 Drawing Sheets**



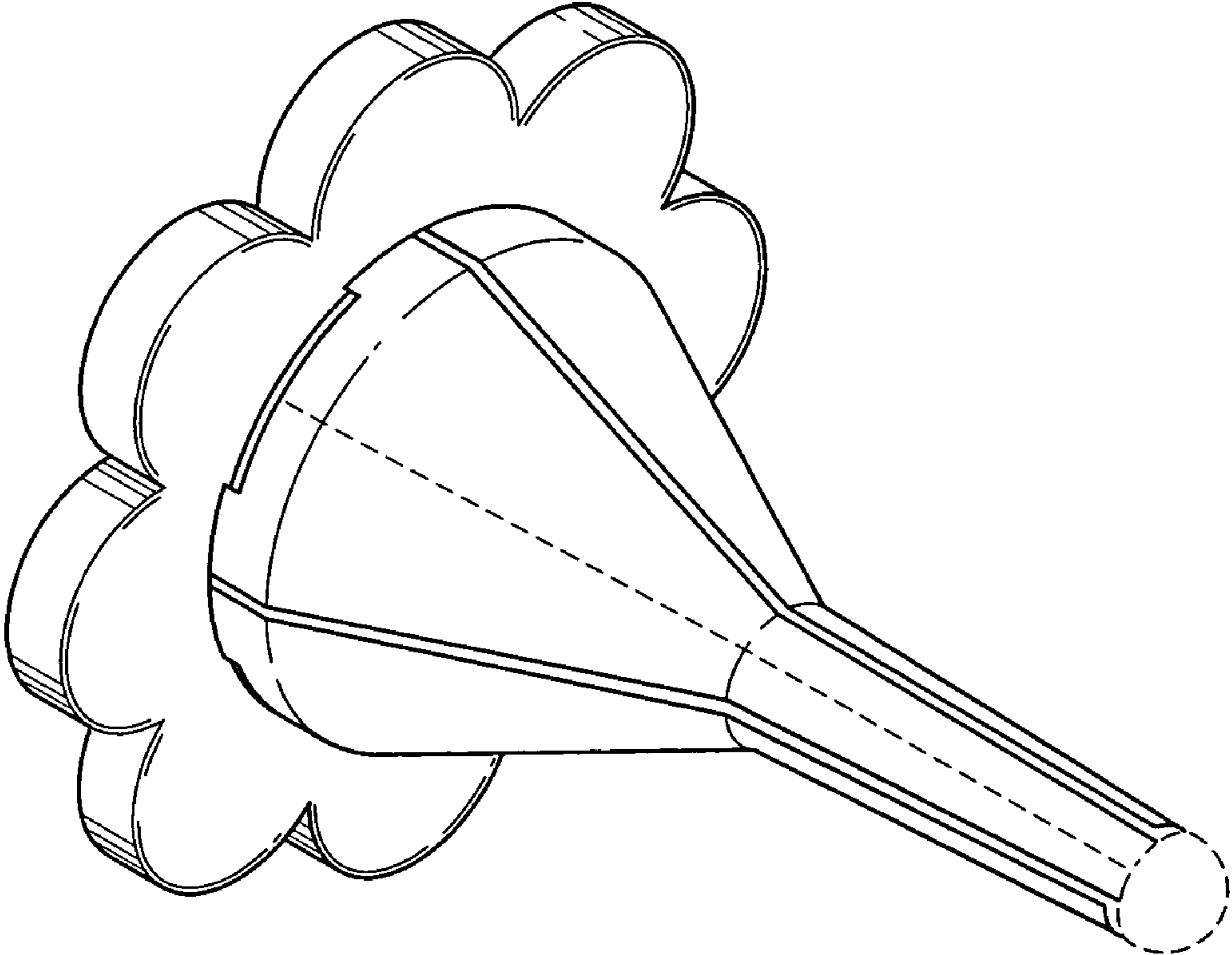


FIG. 1

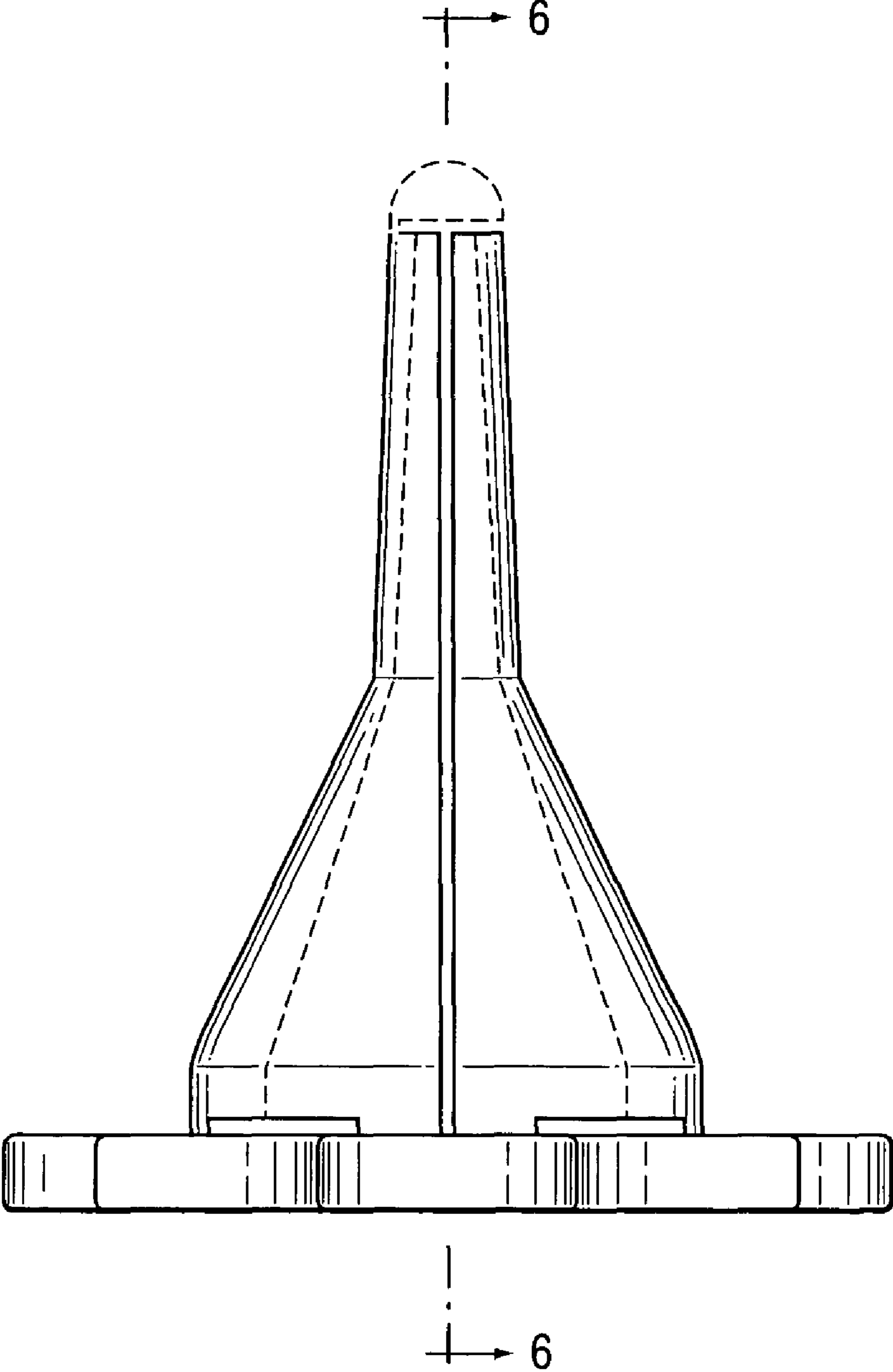


FIG. 2

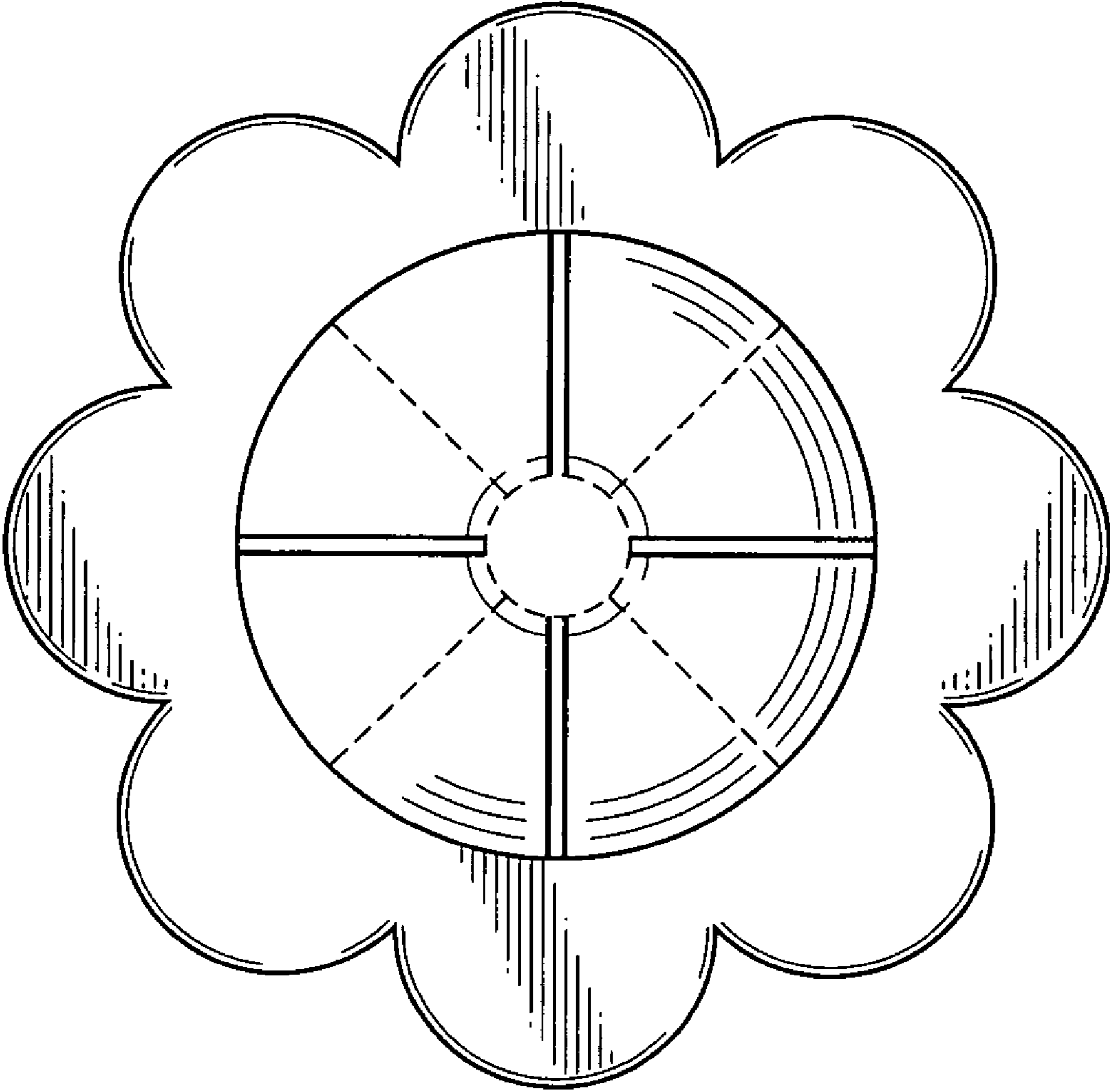


FIG. 3

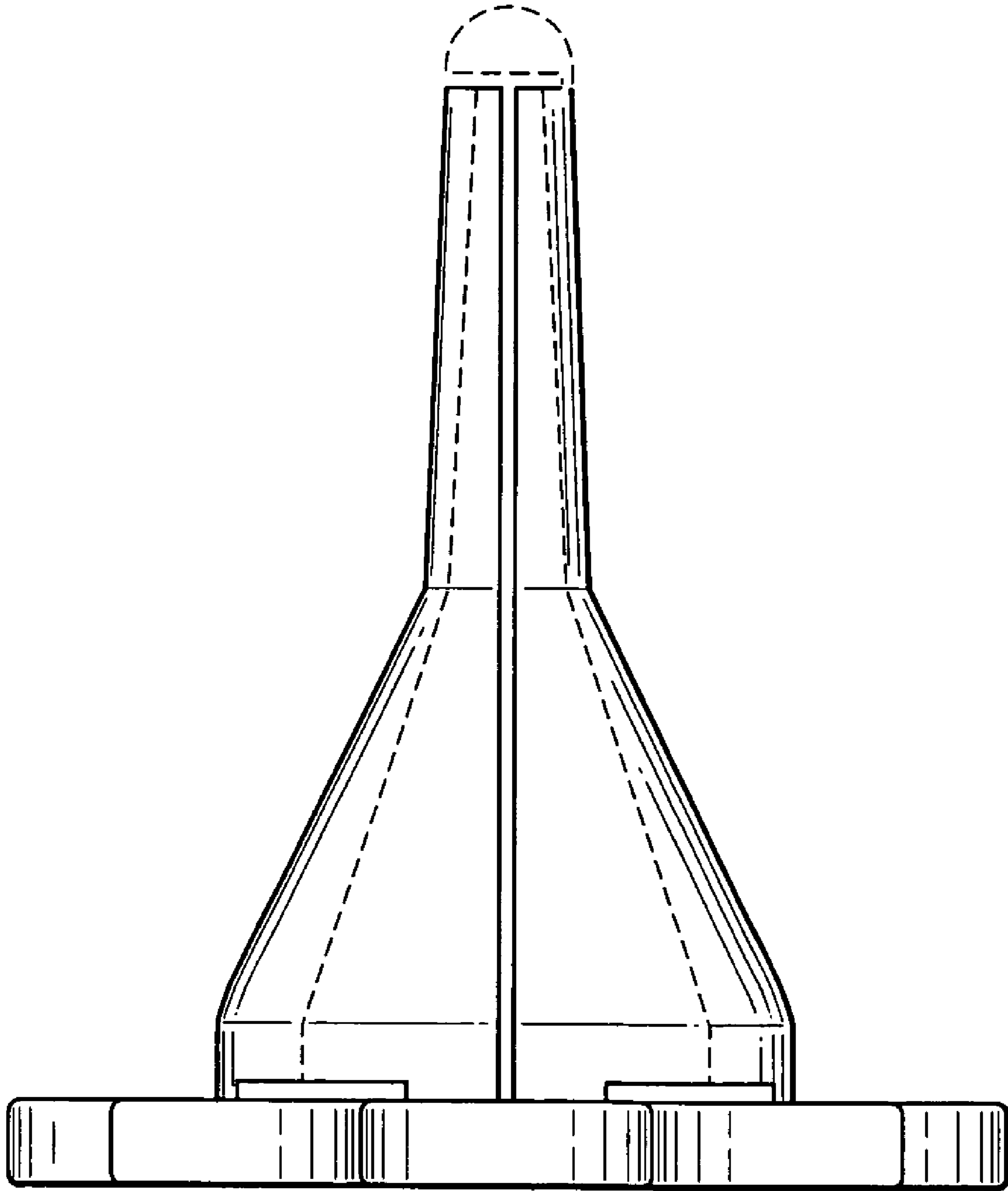


FIG. 4

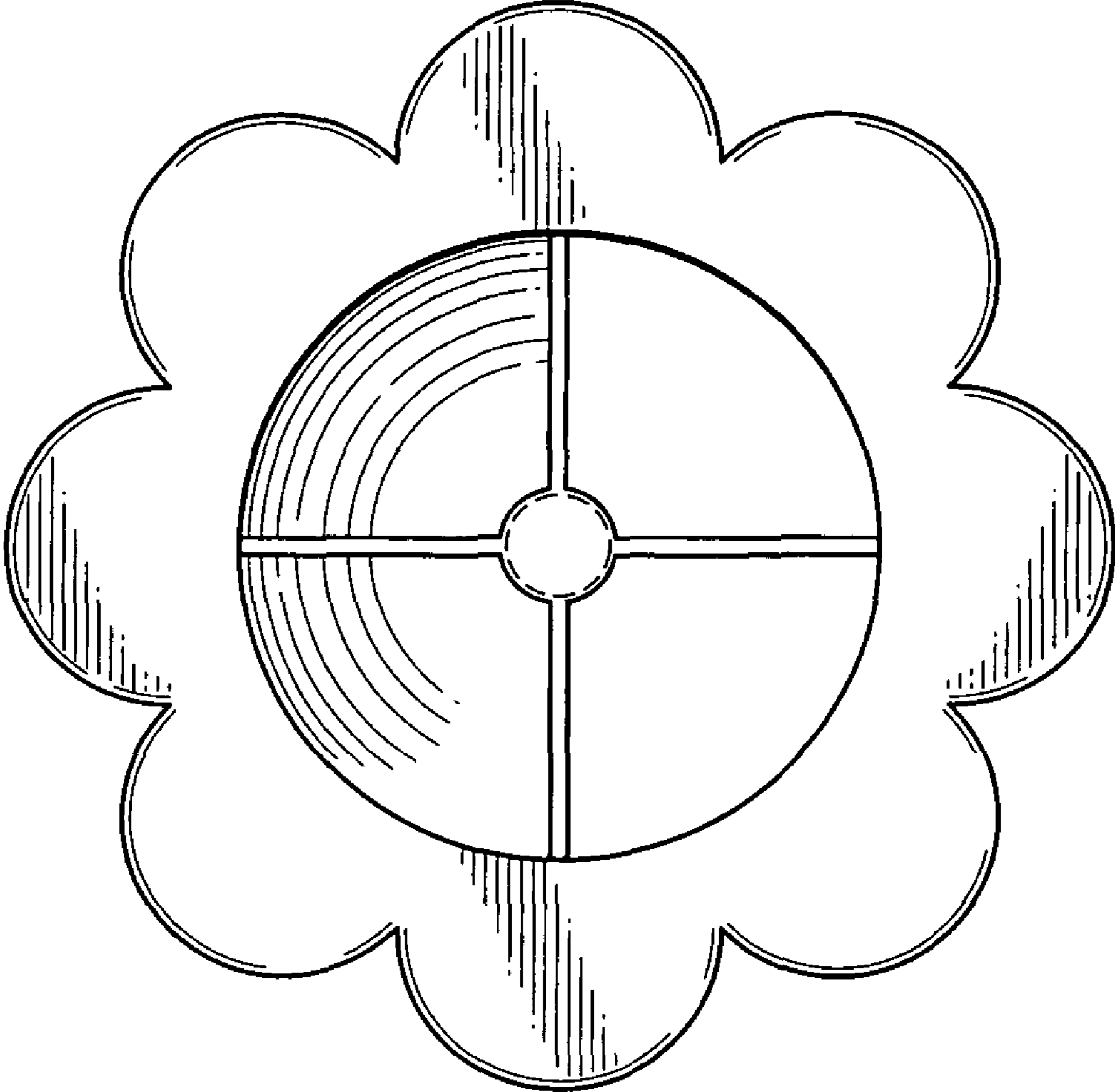


FIG. 5

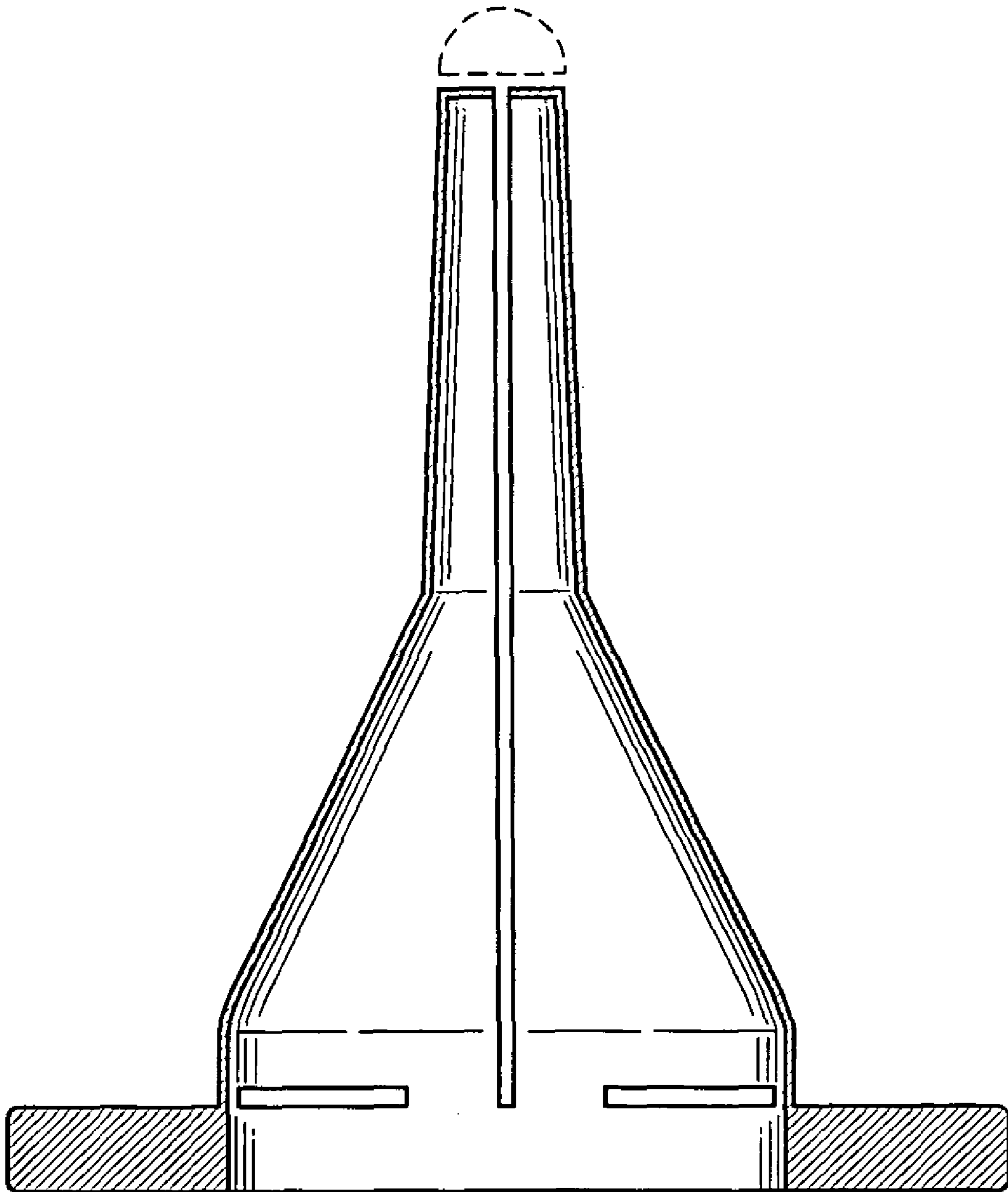


FIG. 6