



US00D655413S

(12) **United States Design Patent**  
**Nino et al.**

(10) **Patent No.:** **US D655,413 S**  
(45) **Date of Patent:** **\*\* \*Mar. 6, 2012**

(54) **UNDULATED MEDICAL INSTRUMENT HANDLE**

(75) Inventors: **John Nino**, Simi Valley, CA (US); **David Ivinson**, Camarillo, CA (US); **Douglas B. Slomski**, Chicago, IL (US)

(73) Assignee: **ECA Medical Instruments**, Newbury Park, CA (US)

(\*) Notice: This patent is subject to a terminal disclaimer.

(\*\*) Term: **14 Years**

(21) Appl. No.: **29/372,976**

(22) Filed: **Feb. 12, 2011**

(51) **LOC (9) Cl.** ..... **24-02**

(52) **U.S. Cl.** ..... **D24/133**

(58) **Field of Classification Search** ..... D24/133;  
D8/83, 107; 433/141; 606/1  
See application file for complete search history.

(56) **References Cited**

**U.S. PATENT DOCUMENTS**

190,459	A *	5/1877	Wilkinson	81/489
1,711,062	A *	4/1929	Purinton	72/479
D160,160	S *	9/1950	Friedman	D24/152
2,540,936	A *	2/1951	Daniels, Sr.	606/110
D163,282	S *	5/1951	Heschel	D8/14
3,886,943	A *	6/1975	Skiff et al.	606/159
D302,297	S *	7/1989	Chechelski	D24/147
D310,011	S *	8/1990	Holland-Letz	D8/82
D452,423	S *	12/2001	Shimansky	D8/83
D456,686	S *	5/2002	Holland-Letz	D8/83
D493,527	S *	7/2004	Szabo	D24/133
D510,248	S *	10/2005	Liu	D8/83
D513,378	S *	1/2006	Lin	D8/83
D543,433	S	5/2007	Gao	
7,243,581	B1	7/2007	Gao	
D552,956	S *	10/2007	Wen	D8/107
D553,464	S *	10/2007	Rinner	D8/83
D557,584	S	12/2007	Gao	

D562,665	S	2/2008	Gao	
7,334,509	B1	2/2008	Gao	
7,389,700	B2	6/2008	Gao	
D580,730	S	11/2008	Gao	
7,467,576	B2	12/2008	Gao	
7,516,676	B2	4/2009	Gao	
7,740,249	B1	6/2010	Gao	
7,793,573	B2	9/2010	Gao	
7,806,027	B1	10/2010	Gao	
7,810,817	B1	10/2010	Gao	
2002/0169453	A1 *	11/2002	Berger	606/73

**OTHER PUBLICATIONS**

Holmed Corporation Surgical Instruments Catalog, www.holmed.net, 40 Norfolk Avenue, South Easton, MA, USA, 02375.  
Beere Medical Line of Custom Configured Ortho-Grip Handles; www.teleflexmedicaloem.com.  
Bradshaw Medical, Inc., Non-Ratcheting and Fixed Comfort Grip Handles; www.bradshaw-medical.com/nrds.html.  
Paragon Medical Standard Surgical Instrumentation Catalog, www.paragonmedical.com/catalog/complete-catalog.html.

(Continued)

*Primary Examiner* — Bridget L Eland  
(74) *Attorney, Agent, or Firm* — Baker Hostetler, LLP

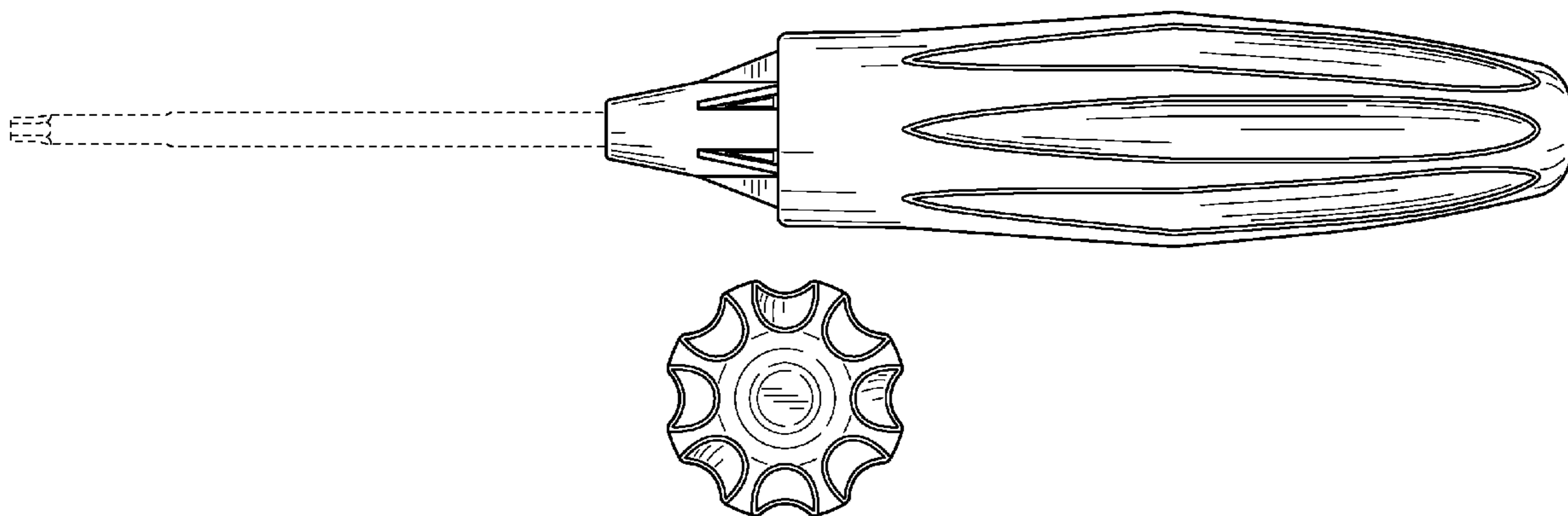
(57) **CLAIM**

The ornamental design for an undulated medical instrument handle, as shown and described.

**DESCRIPTION**

FIGS. 1, 2, 3, and 4 are side elevations at 90 degree offsets of an undulated medical instrument handle showing our new design;  
FIG. 5 is a front to back perspective view thereof;  
FIG. 6 is a front view thereof; and,  
FIG. 7 is a back view thereof.  
The broken lines showing the remainder of the medical instrument are directed to environment and are for illustrative purposes only; the broken lines form no part of the claimed design.

**1 Claim, 3 Drawing Sheets**



OTHER PUBLICATIONS

Quick Connectors, Gauthier Biomedical, Inc., [www.gauthierbiomedical.com/products/quick-connectors/](http://www.gauthierbiomedical.com/products/quick-connectors/).

Silicone Handles, Gauthier Biomedical, Inc., [www.gauthierbiomedical.com/products/silicone-handles](http://www.gauthierbiomedical.com/products/silicone-handles).

Ratcheting Screwdrivers, Gauthier Biomedical, Inc., [www.gauthierbiomedical.com/products/products](http://www.gauthierbiomedical.com/products/products).

Torque Instruments, Gauthier Biomedical, Inc., [www.gauthierbiomedical.com/products/torque-instruments/](http://www.gauthierbiomedical.com/products/torque-instruments/).

Symmetry Medical Inc., Radel R Instrument Handles, Silicone Instrument Handles, Ratcheting Screwdriver Handles, and Spinal Instruments; [www.symmetrymedical.com](http://www.symmetrymedical.com).

\* cited by examiner

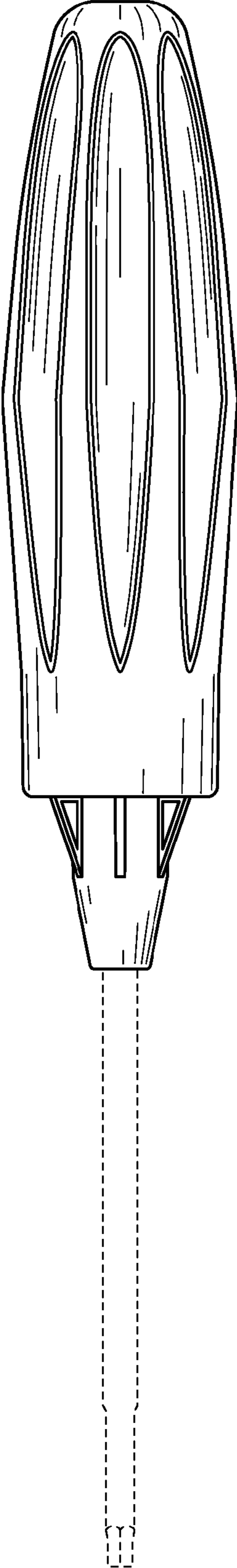


FIG. 1

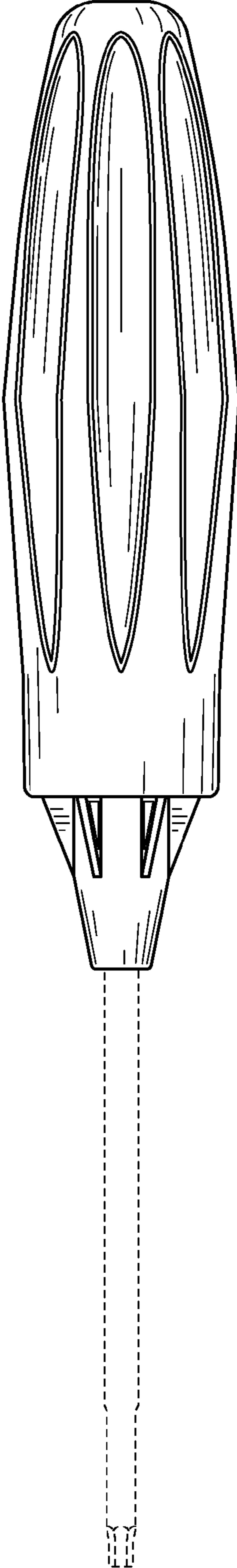


FIG. 2

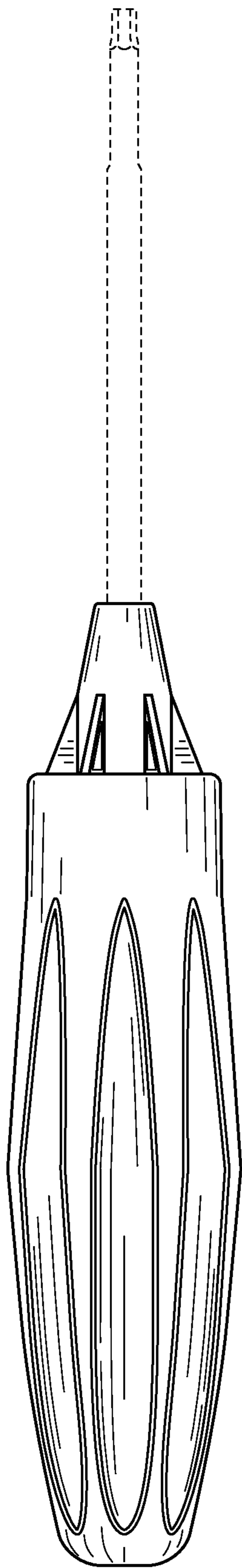


FIG. 3

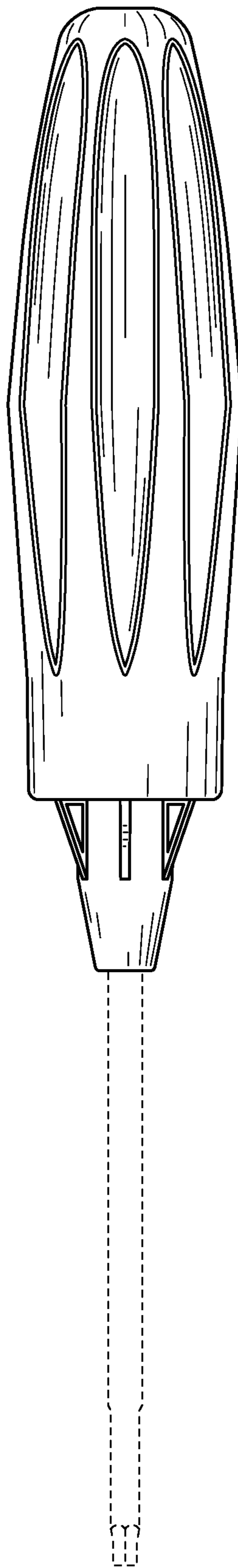


FIG. 4

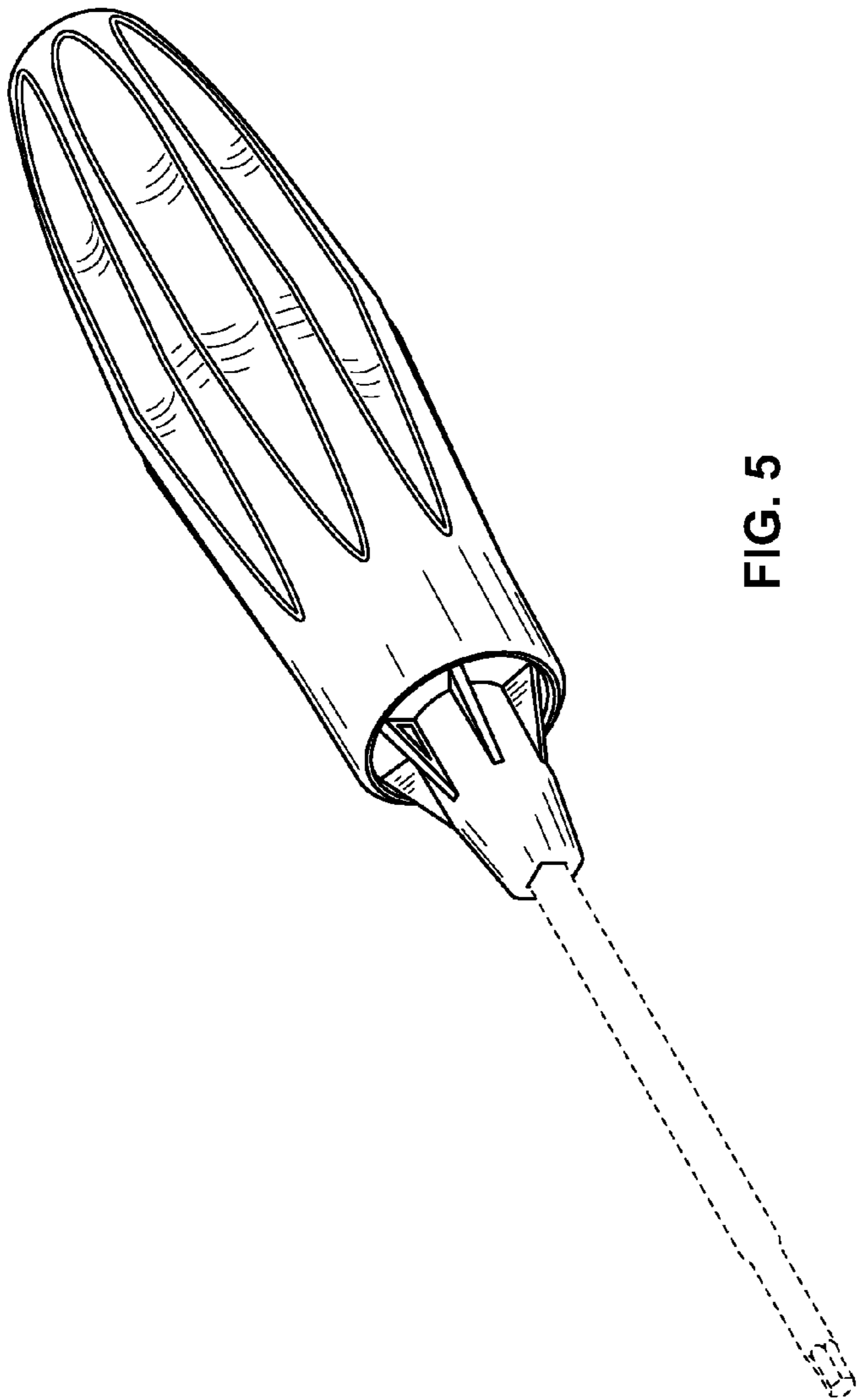


FIG. 5

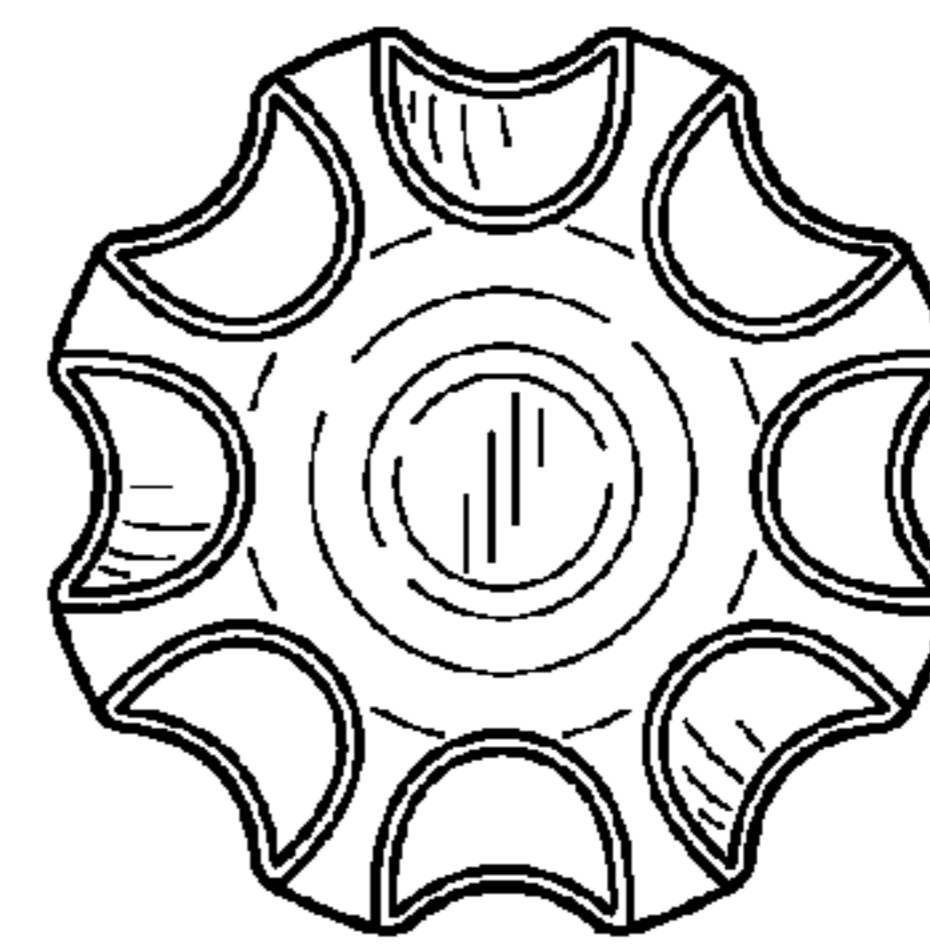


FIG. 7

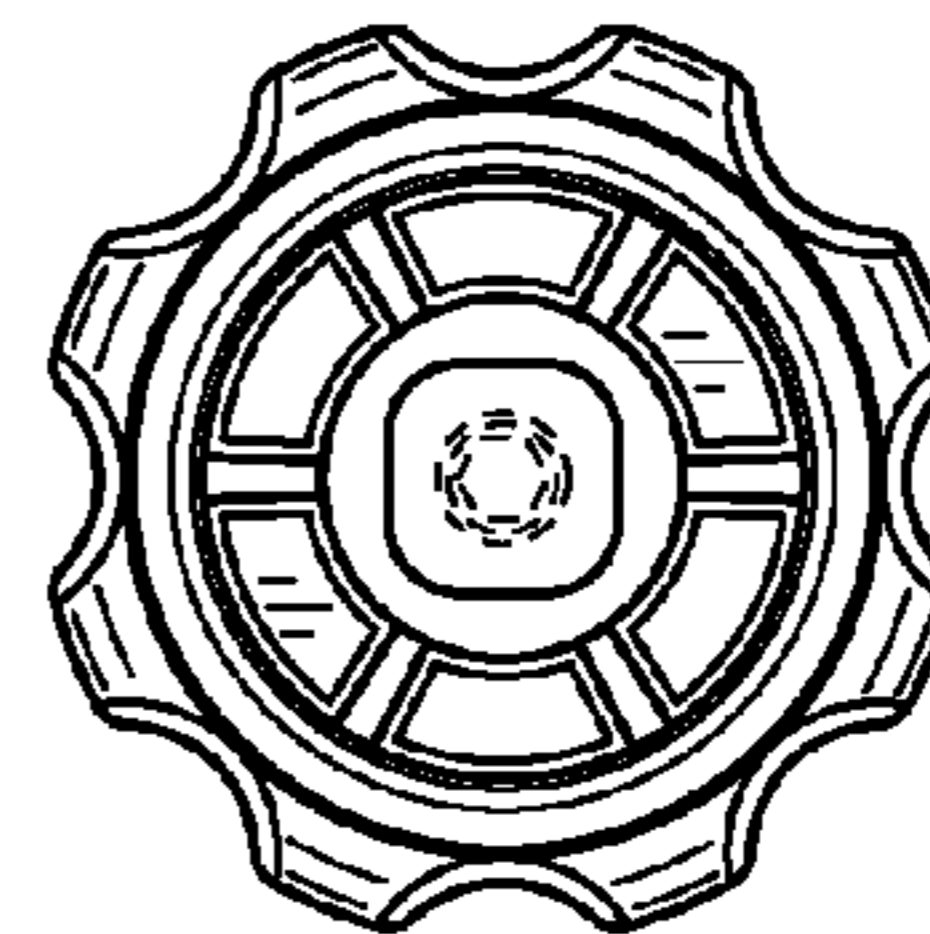


FIG. 6