

US00D655412S

(12) **United States Design Patent**
Luk et al.

(10) **Patent No.:** **US D655,412 S**
(45) **Date of Patent:** **** Mar. 6, 2012**

(54) **CATHETER HANDLE**

(75) Inventors: **Maria Luk**, Toronto (CA); **Melissa Andrea Natalie Brown**, Toronto (CA)

(73) Assignee: **Baylis Medical Company Inc.**, Montreal (CA)

(**) Term: **14 Years**

(21) Appl. No.: **29/394,930**

(22) Filed: **Jun. 23, 2011**

(51) **LOC (9) Cl.** **24-02**

(52) **U.S. Cl.** **D24/130**

(58) **Field of Classification Search** D24/112,
D24/138, 133, 144, 130, 108, 222, 114, 127;
604/95.04, 528; 600/374, 381, 463, 466
See application file for complete search history.

(56) **References Cited**

U.S. PATENT DOCUMENTS

5,364,352	A *	11/1994	Cimino et al.	604/95.04
6,589,182	B1 *	7/2003	Loftman et al.	600/466
6,776,765	B2 *	8/2004	Soukup et al.	600/585
D550,356	S *	9/2007	Anderson et al.	D24/133
D564,093	S *	3/2008	Marchand et al.	D24/133
D579,562	S *	10/2008	Anderson et al.	D24/133
D630,321	S *	1/2011	Hamilton, Jr.	D24/133
D640,785	S *	6/2011	Lee	D24/112
2003/0125663	A1 *	7/2003	Coleman et al.	604/95.04
2003/0181854	A1 *	9/2003	Sauvageau	604/95.04
2004/0143197	A1 *	7/2004	Soukup et al.	600/585

2005/0256452 A1 * 11/2005 DeMarchi et al. 604/95.04
2006/0142694 A1 * 6/2006 Bednarek et al. 604/95.04
2010/0256606 A1 * 10/2010 Lippert et al. 604/529

* cited by examiner

Primary Examiner — T. Chase Nelson

Assistant Examiner — Eric Goodman

(74) *Attorney, Agent, or Firm* — Nir Lipshitz; Glenn Arnold

(57) **CLAIM**

The ornamental design for a catheter handle, as shown and described.

DESCRIPTION

FIG. 1 is a top front perspective view of a catheter handle, showing our new design;

FIG. 2 is a bottom front perspective view of the catheter handle of FIG. 1;

FIG. 3 is a top side view of the catheter handle of FIG. 1;

FIG. 4 is a bottom side view of the catheter handle of FIG. 1;

FIG. 5 is a right side view of the catheter handle of FIG. 1;

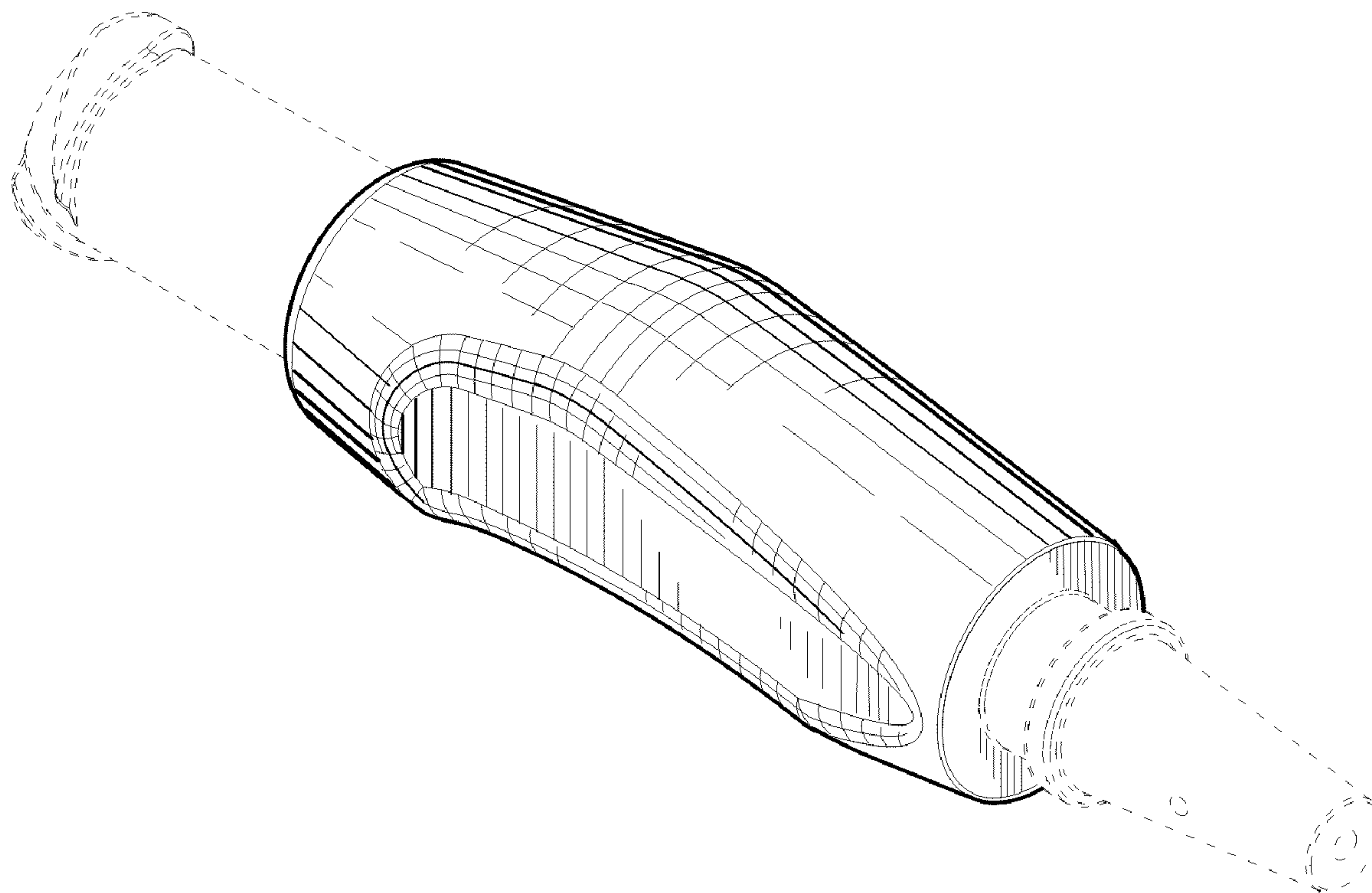
FIG. 6 is a left side view of the catheter handle of FIG. 1;

FIG. 7 is a front side view of the catheter handle of FIG. 1; and,

FIG. 8 is a rear side view of the catheter handle of FIG. 1.

The broken lines immediately adjacent the shaded areas represent the bounds of the claimed design while all other broken lines are directed to environment and are for illustrative purposes only; the broken lines form no part of the claimed design.

1 Claim, 5 Drawing Sheets



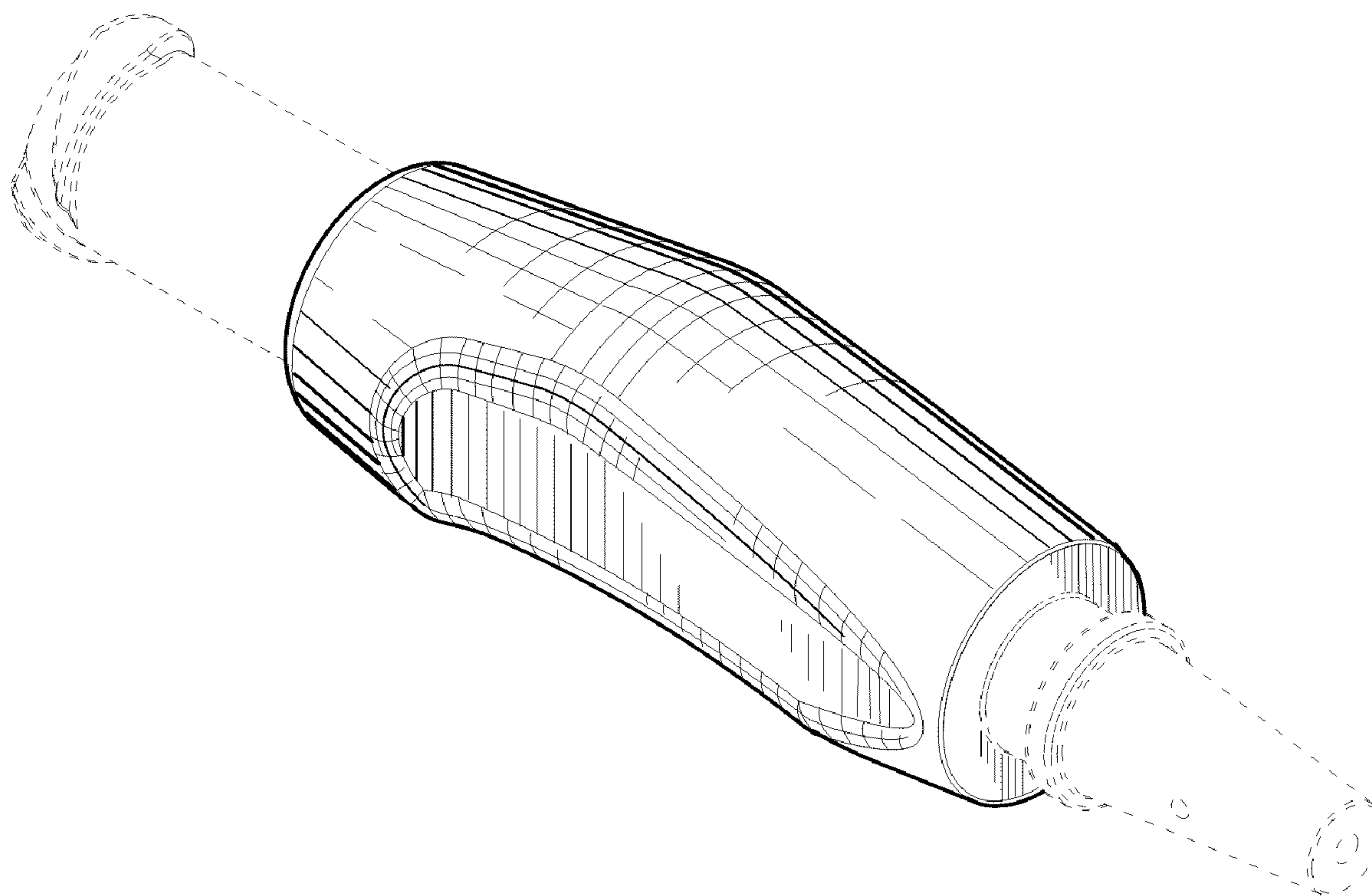


FIG.1

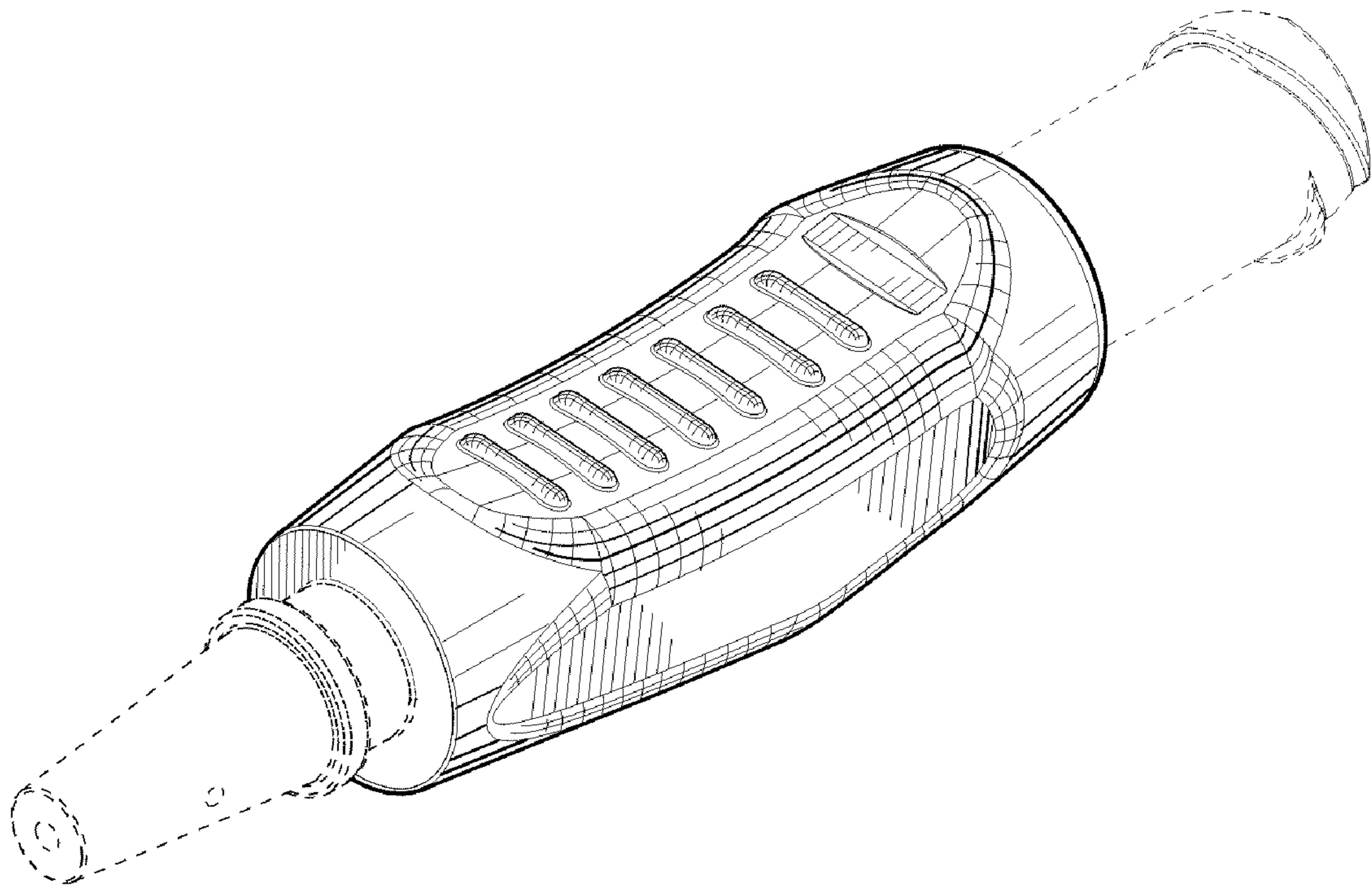


FIG.2

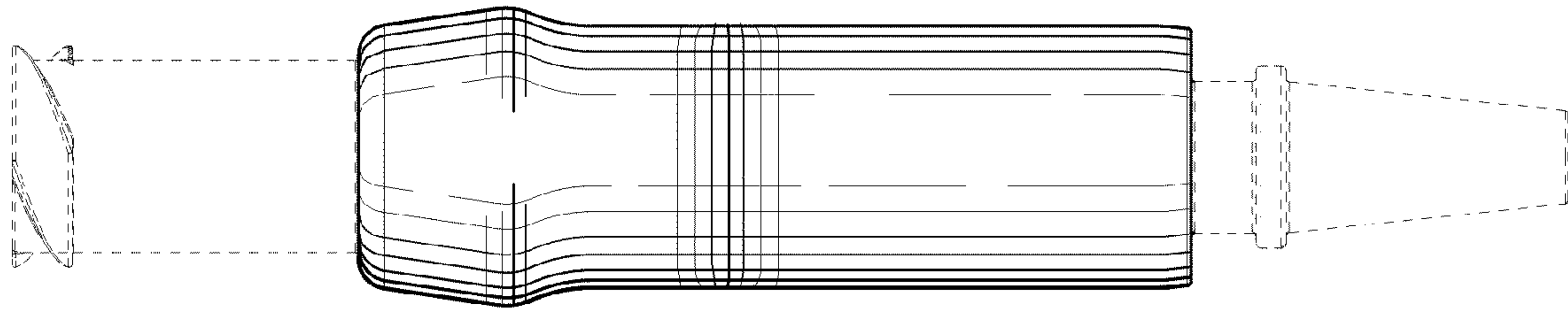


FIG.3

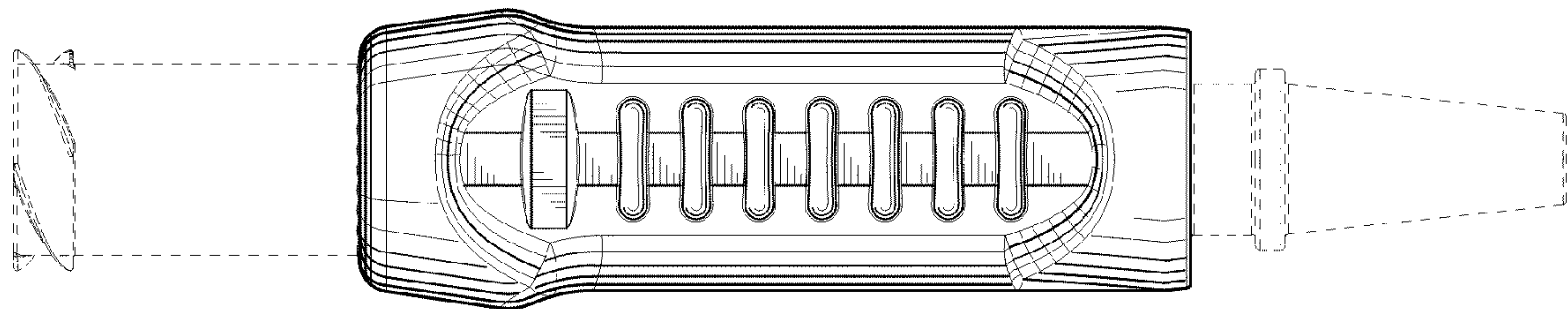


FIG.4

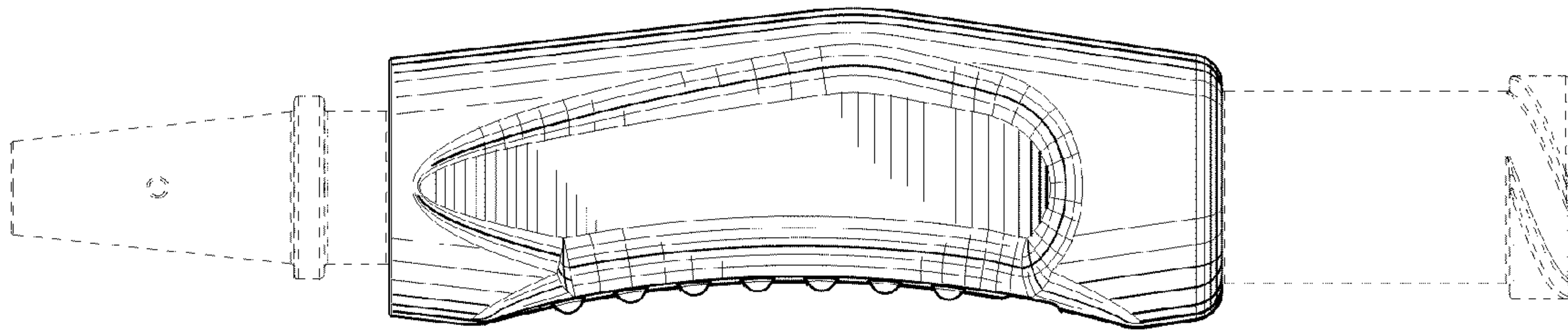


FIG. 5

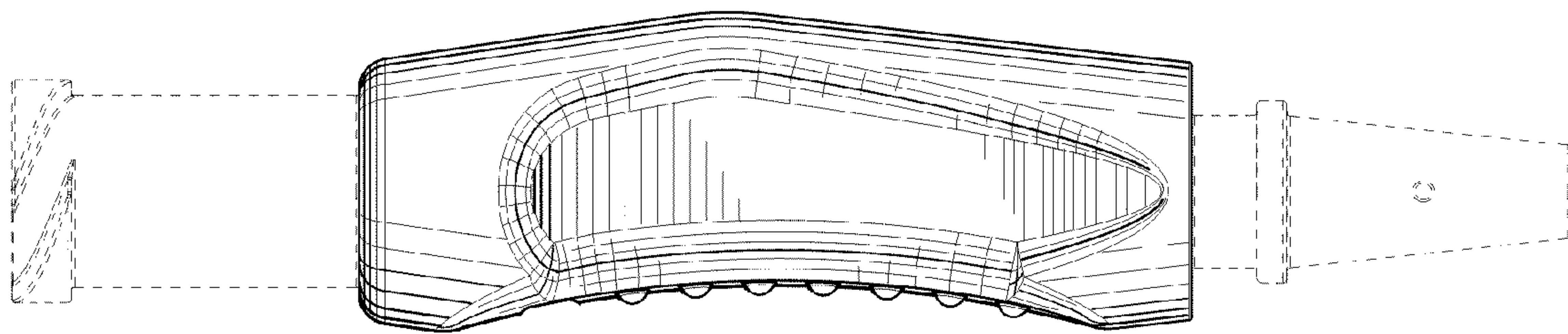


FIG. 6

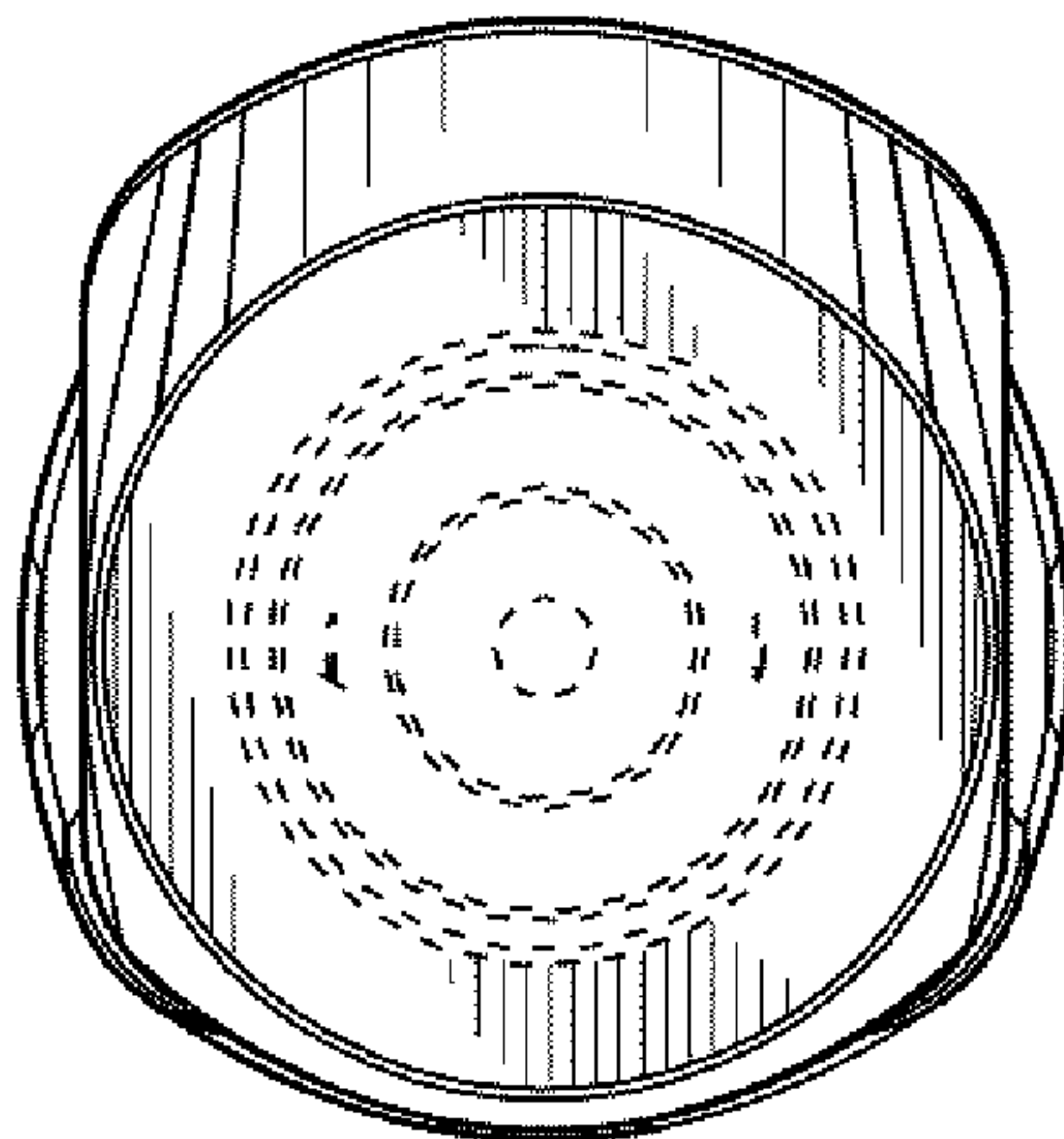


FIG. 7

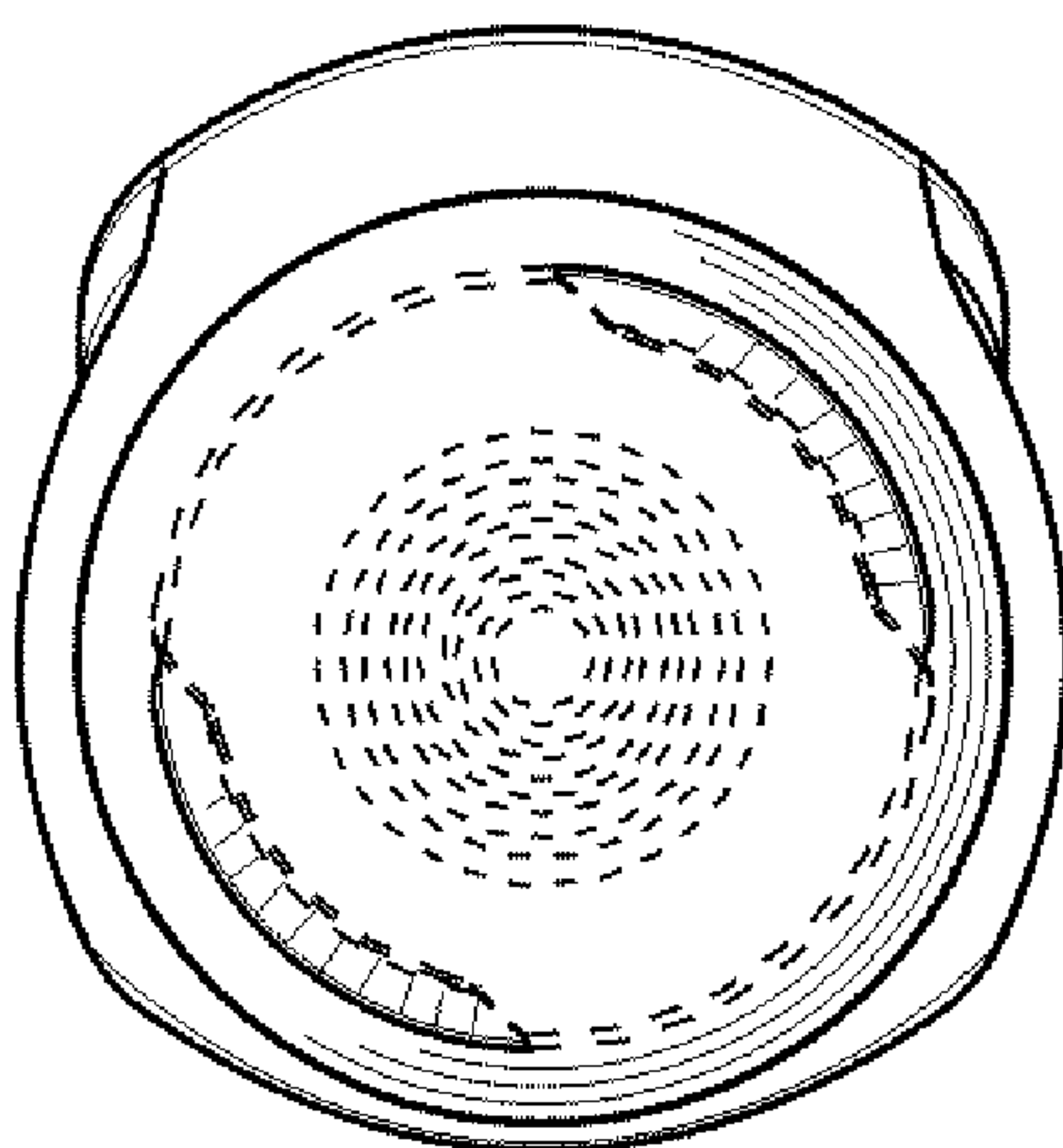


FIG. 8