



US00D655410S

(12) **United States Design Patent**  
**Chu et al.**

(10) **Patent No.:** **US D655,410 S**

(45) **Date of Patent:** **\*\* Mar. 6, 2012**

(54) **HOLDER FOR A MEDICAL TOOL**

7,669,829 B2 \* 3/2010 Ogatsu ..... 248/682  
\* cited by examiner

(75) Inventors: **Jennifer Chu**, Haverford, PA (US);  
**Janette Chu**, Broomall, PA (US)

*Primary Examiner* — T. Chase Nelson

*Assistant Examiner* — Eric Goodman

(73) Assignee: **Jusjas LLC**, Haverford, PA (US)

(74) *Attorney, Agent, or Firm* — Banner & Witcoff, Ltd.

(\*\*) Term: **14 Years**

(57) **CLAIM**

(21) Appl. No.: **29/393,319**

The ornamental design for a holder for a medical tool, as shown and described.

(22) Filed: **Jun. 2, 2011**

**DESCRIPTION**

(51) **LOC (9) Cl.** ..... **24-02**

(52) **U.S. Cl.** ..... **D24/128**

(58) **Field of Classification Search** ..... D24/127,  
D24/128, 228, 230; D6/567; D8/356; 248/309.1;  
211/70.6, 70.5, 60.1, 70.1, 71-72, 89; 128/DIG. 28  
See application file for complete search history.

FIG. 1 is a perspective view of a holder for a medical tool showing our new design;

FIG. 2 is a front view thereof;

FIG. 3 is a rear view thereof;

FIG. 4 is a right side view thereof;

FIG. 5 is a left side view thereof;

FIG. 6 is a top plan view thereof; and,

FIG. 7 is a bottom plan view thereof.

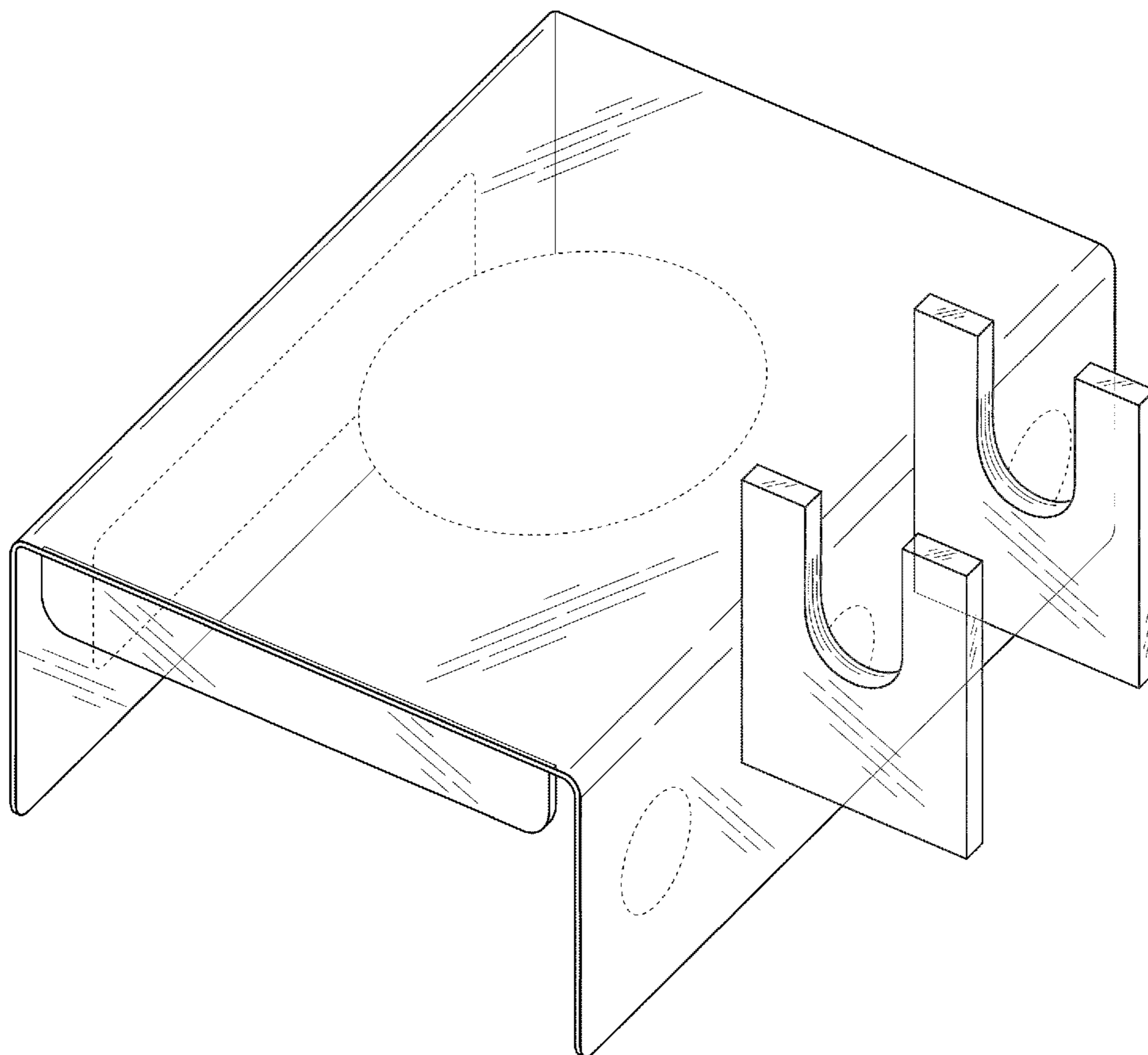
The broken line showing of the four circular regions and the rectangular shaped region are for environmental purposes only and form no part of the claimed design.

(56) **References Cited**

**U.S. PATENT DOCUMENTS**

3,254,817	A	*	6/1966	Bartz	.....	294/142
D263,624	S	*	3/1982	Stenzler et al.	.....	D24/128
D324,735	S	*	3/1992	Collister et al.	.....	D24/222
D510,770	S	*	10/2005	Emerson	.....	D24/233
D595,782	S	*	7/2009	Whitfield	.....	D20/43

**1 Claim, 5 Drawing Sheets**



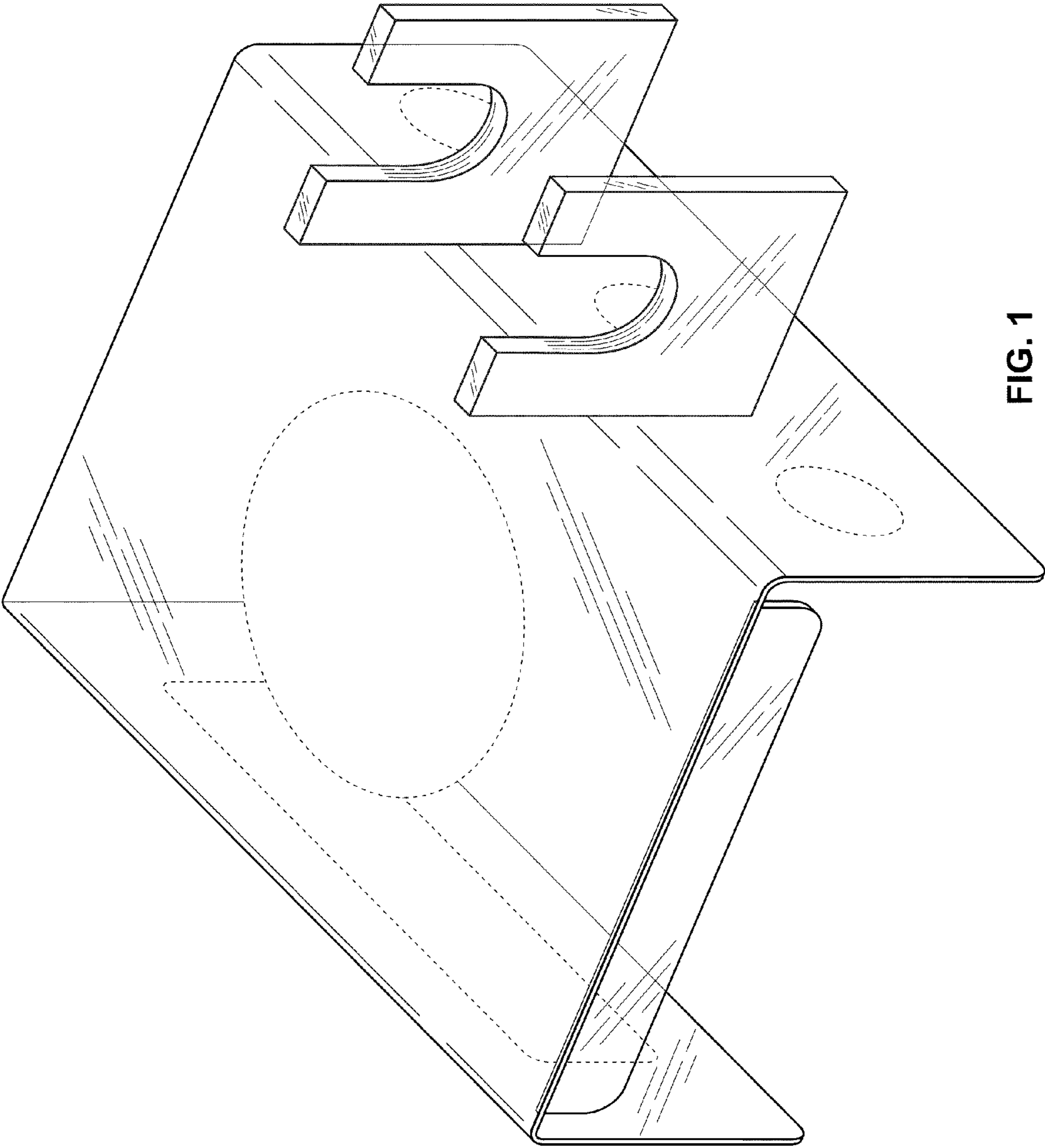
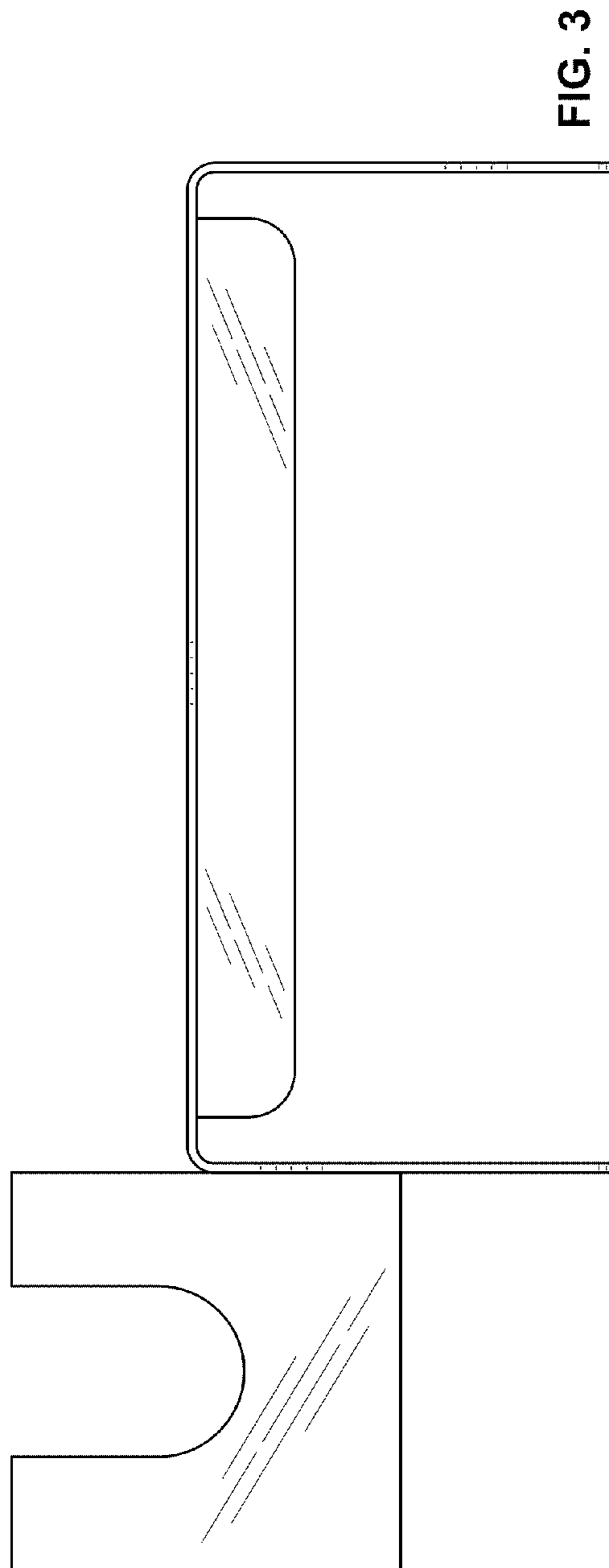
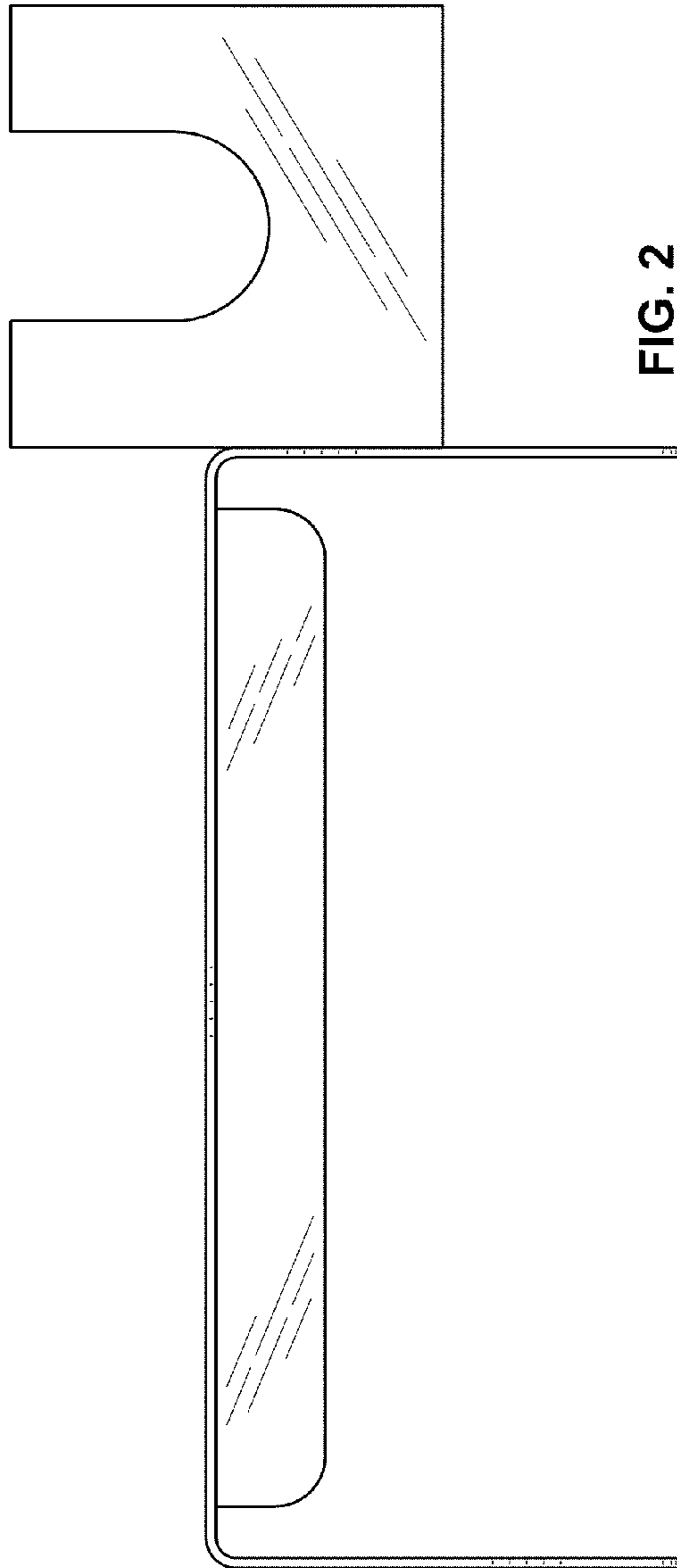


FIG. 1



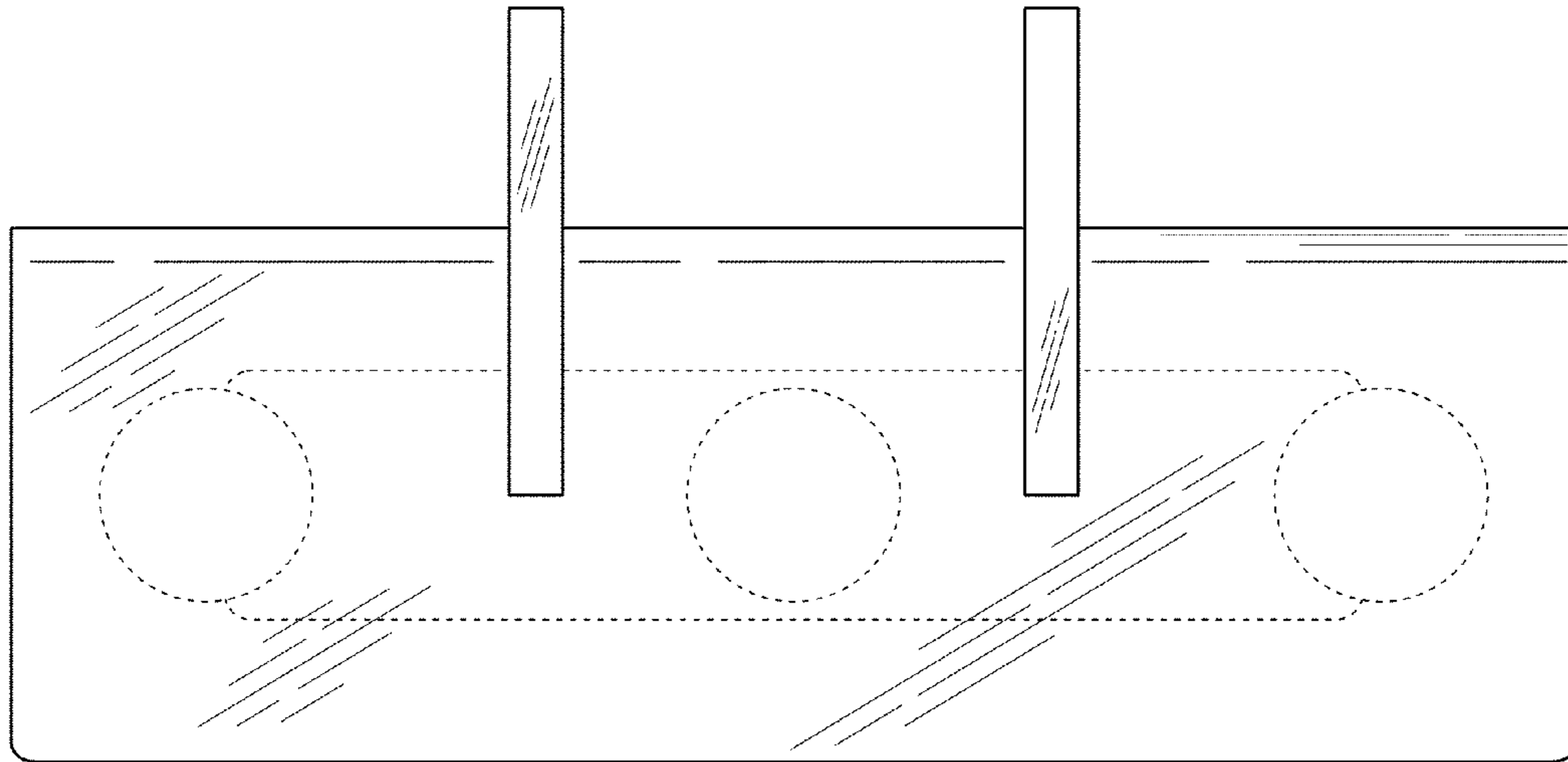


FIG. 4

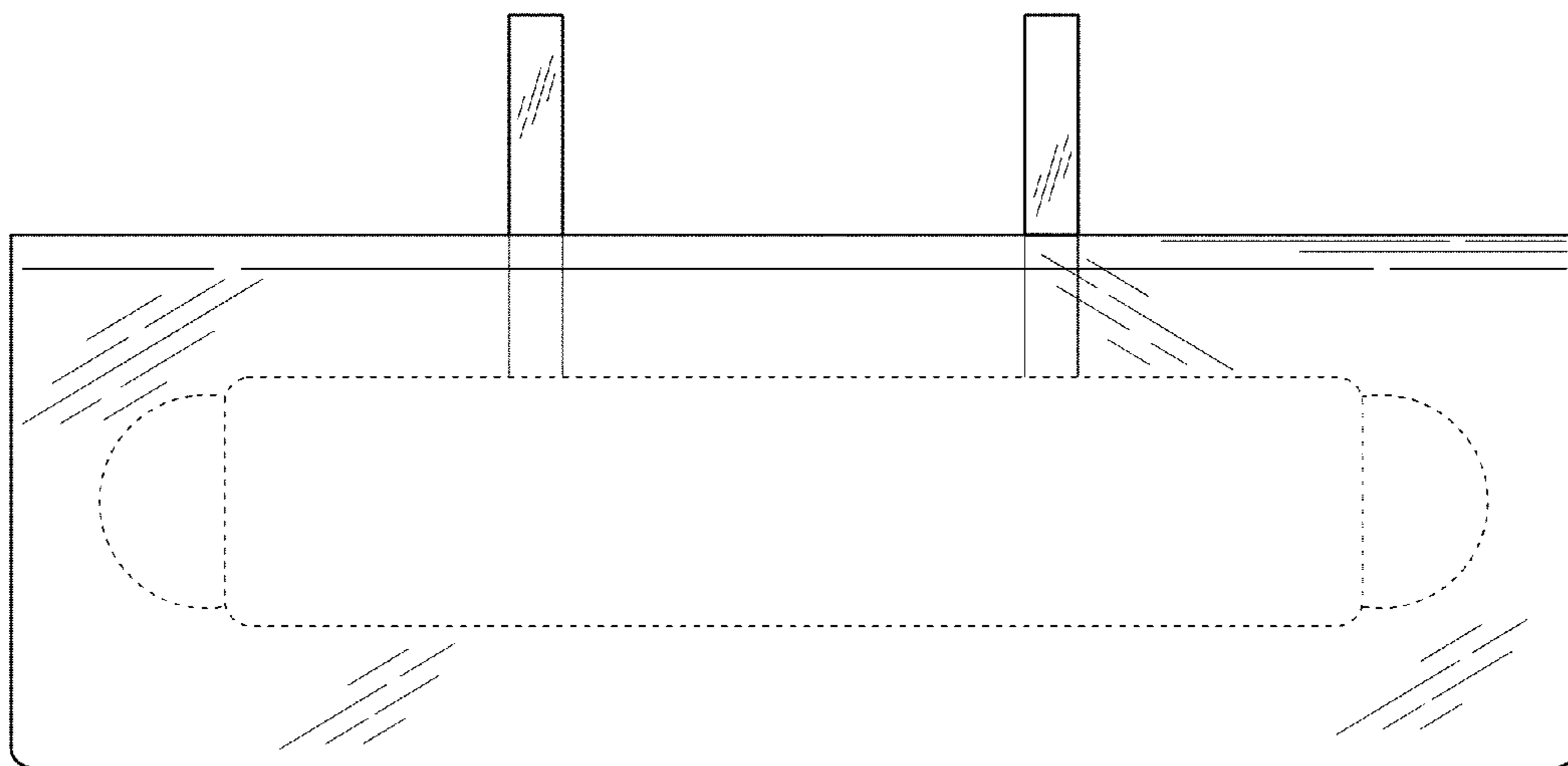


FIG. 5

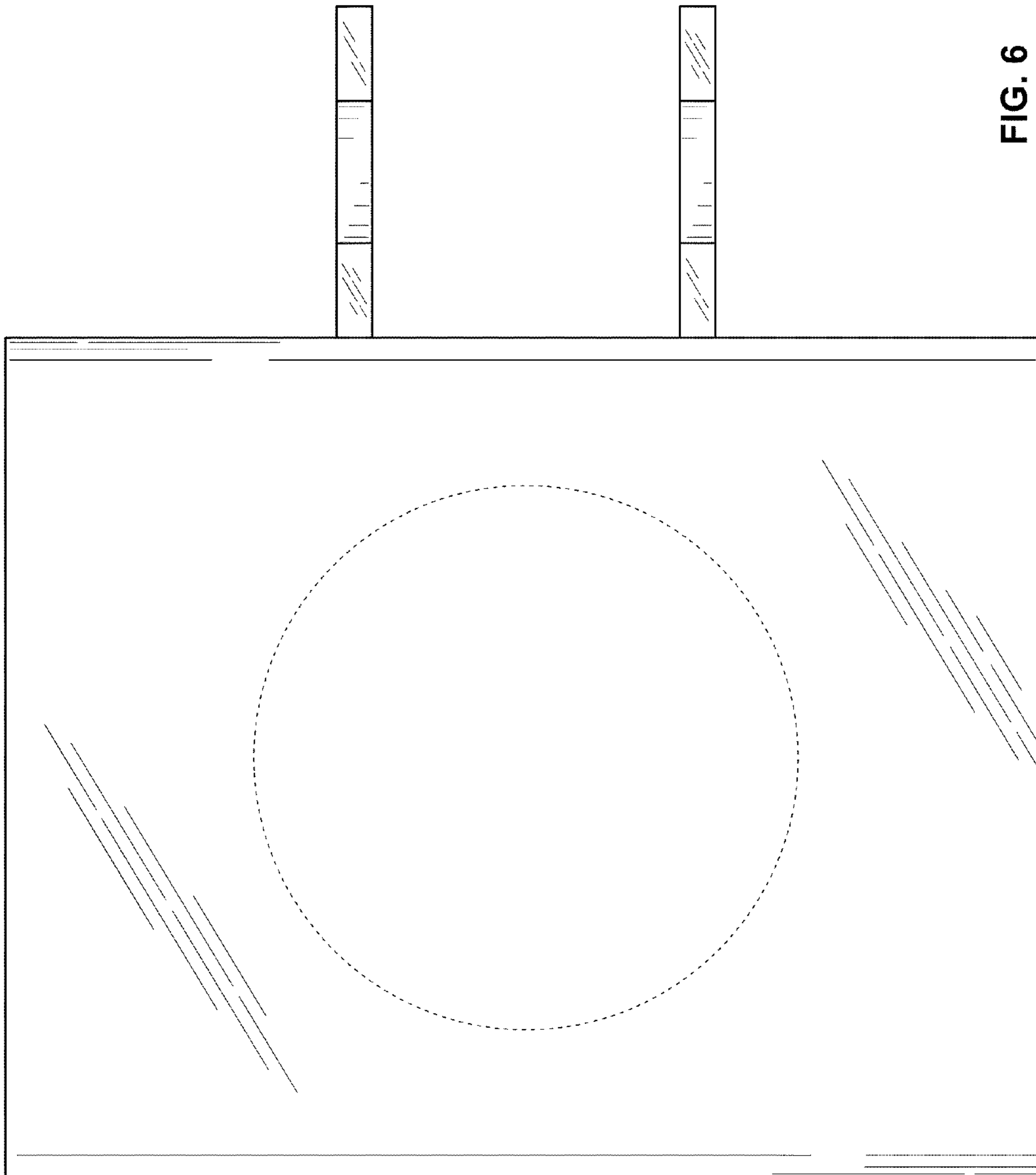


FIG. 6

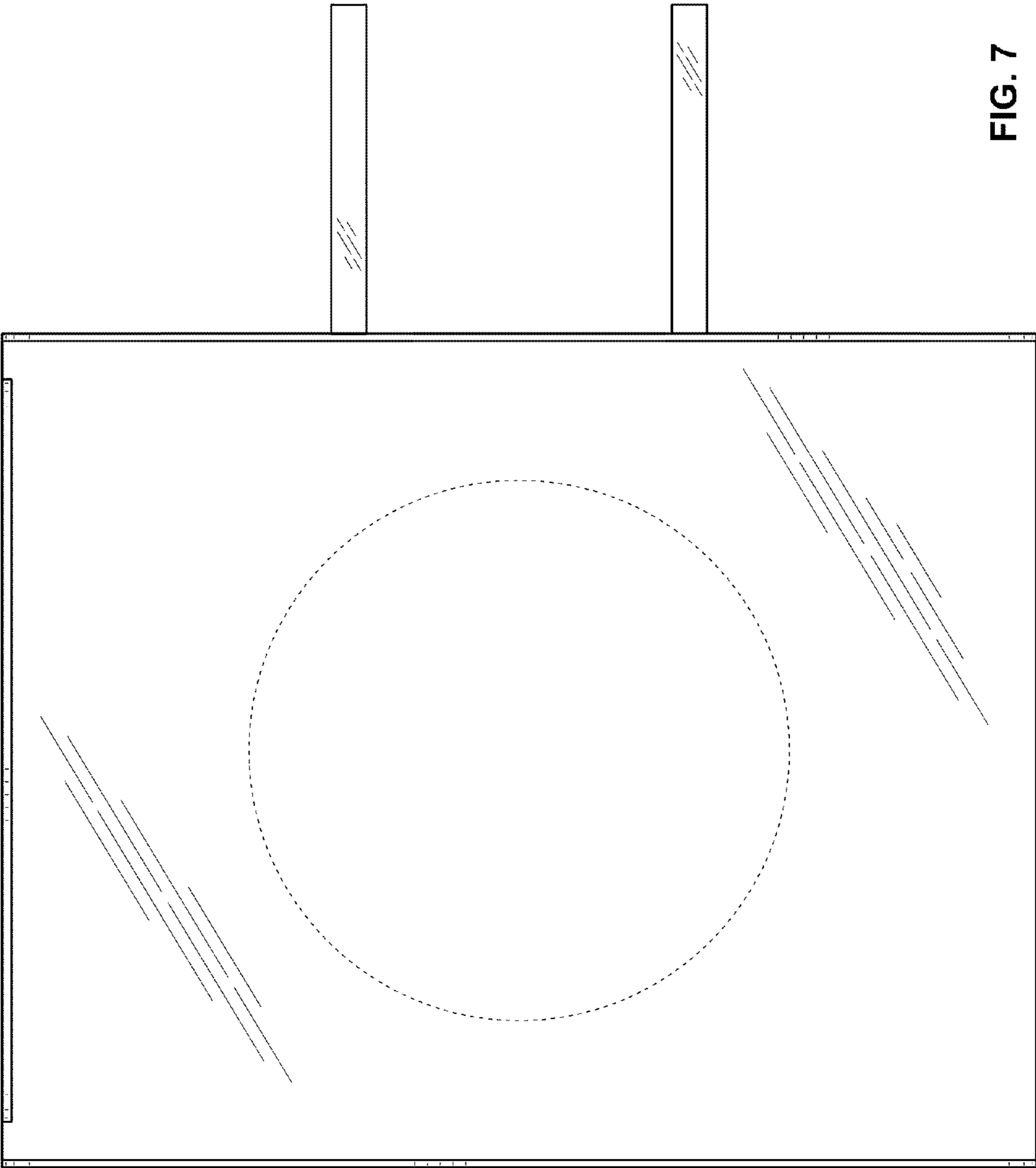


FIG. 7