



US00D655409S

(12) **United States Design Patent**
Bally

(10) **Patent No.:** **US D655,409 S**
(45) **Date of Patent:** **** Mar. 6, 2012**

(54) **ASYMMETRICAL TRANSFER DEVICE**

(75) **Inventor:** **Alexander Bally**, Marston Mills, MA
(US)

(73) **Assignee:** **Lifespan Healthcare, LLC**, Tampa, FL
(US)

(**) **Term:** **14 Years**

(21) **Appl. No.:** **29/393,211**

(22) **Filed:** **Jun. 1, 2011**

Related U.S. Application Data

(63) Continuation of application No. 13/104,531, filed on
May 10, 2011.

(51) **LOC (9) Cl.** **24-02**

(52) **U.S. Cl.** **D24/128**

(58) **Field of Classification Search** D24/128;
5/600, 658, 503.1, 81.1 R; 248/158-159,
248/125.1, 125.8

See application file for complete search history.

(56) **References Cited**

U.S. PATENT DOCUMENTS

2,409,432	A *	10/1946	Hubbard	604/179
D262,237	S *	12/1981	Stauber	D24/128
4,511,158	A *	4/1985	Varga et al.	280/292
4,945,592	A *	8/1990	Sims et al.	5/658
D339,195	S *	9/1993	Nash et al.	D24/128
5,306,109	A *	4/1994	Kreuzer et al.	414/343
5,366,191	A *	11/1994	Bekanich	248/125.1
5,527,125	A *	6/1996	Kreuzer et al.	403/325
D381,745	S *	7/1997	Owens	D24/128

5,898,961	A *	5/1999	Ambach et al.	5/600
7,065,812	B2 *	6/2006	Newkirk et al.	5/600
7,254,850	B2 *	8/2007	Newkirk et al.	5/600
7,258,310	B2 *	8/2007	Norris	248/125.7
7,314,200	B2 *	1/2008	Bally et al.	248/276.1
7,418,749	B2 *	9/2008	Graham et al.	5/503.1
7,661,641	B2 *	2/2010	Wong et al.	248/274.1
7,735,788	B2 *	6/2010	Newkirk et al.	248/129
2006/0242763	A1 *	11/2006	Graham et al.	5/503.1
2007/0069093	A1 *	3/2007	Graham et al.	248/231.71
2007/0267550	A1 *	11/2007	Blankenship et al.	248/125.8
2008/0217910	A1 *	9/2008	Walke et al.	285/121.7

* cited by examiner

Primary Examiner — T. Chase Nelson

Assistant Examiner — Eric Goodman

(74) *Attorney, Agent, or Firm* — Barlow, Josephs & Holmes,
Ltd.

(57) **CLAIM**

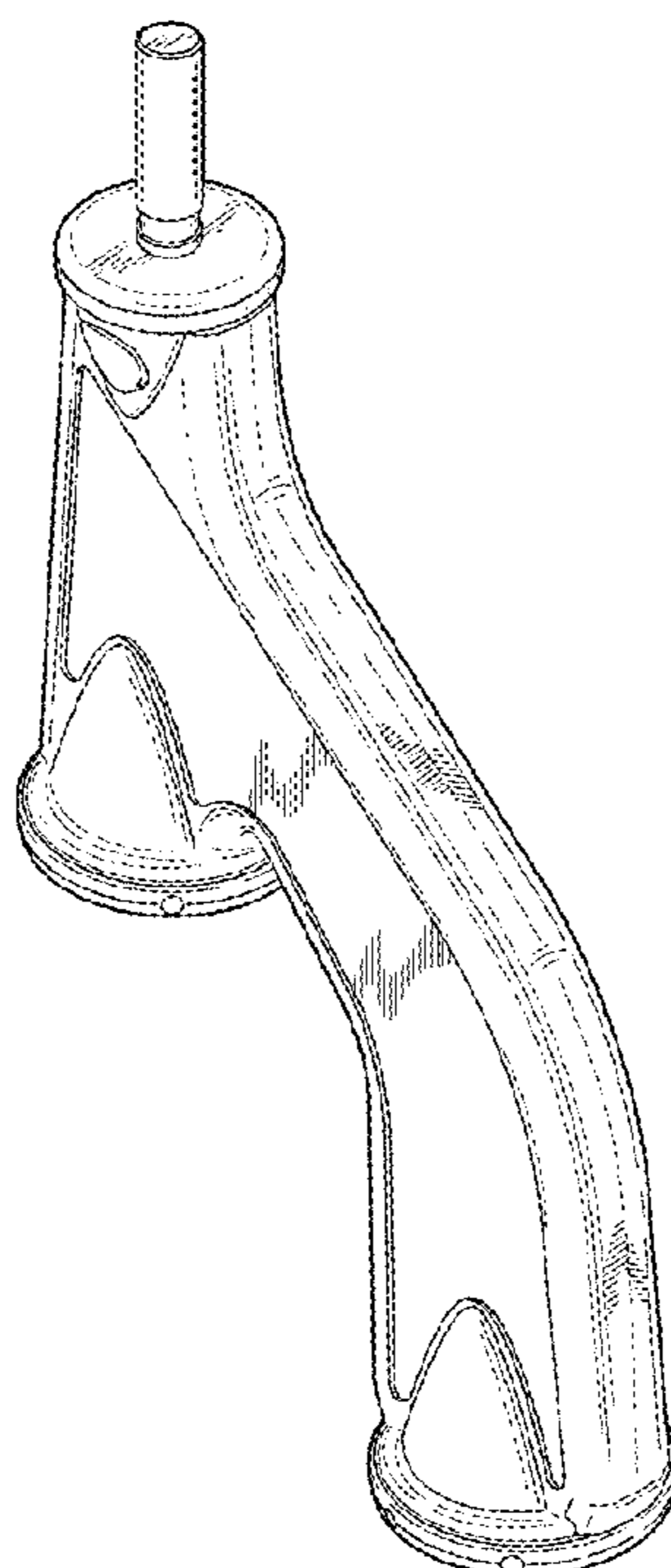
The ornamental design for an asymmetrical transfer device,
as shown and described.

DESCRIPTION

FIG. 1 is a perspective view of an asymmetrical transfer device, showing my new design;
FIG. 2 is a front view thereof;
FIG. 3 is a rear view thereof;
FIG. 4 is a right side view thereof;
FIG. 5 is a left side view thereof;
FIG. 6 is a bottom view thereof; and,
FIG. 7 is a top view thereof.

The subject matter depicted in broken lines in FIG. 6 has been shown for illustrative purposes only and forms no part of the claimed design.

1 Claim, 7 Drawing Sheets



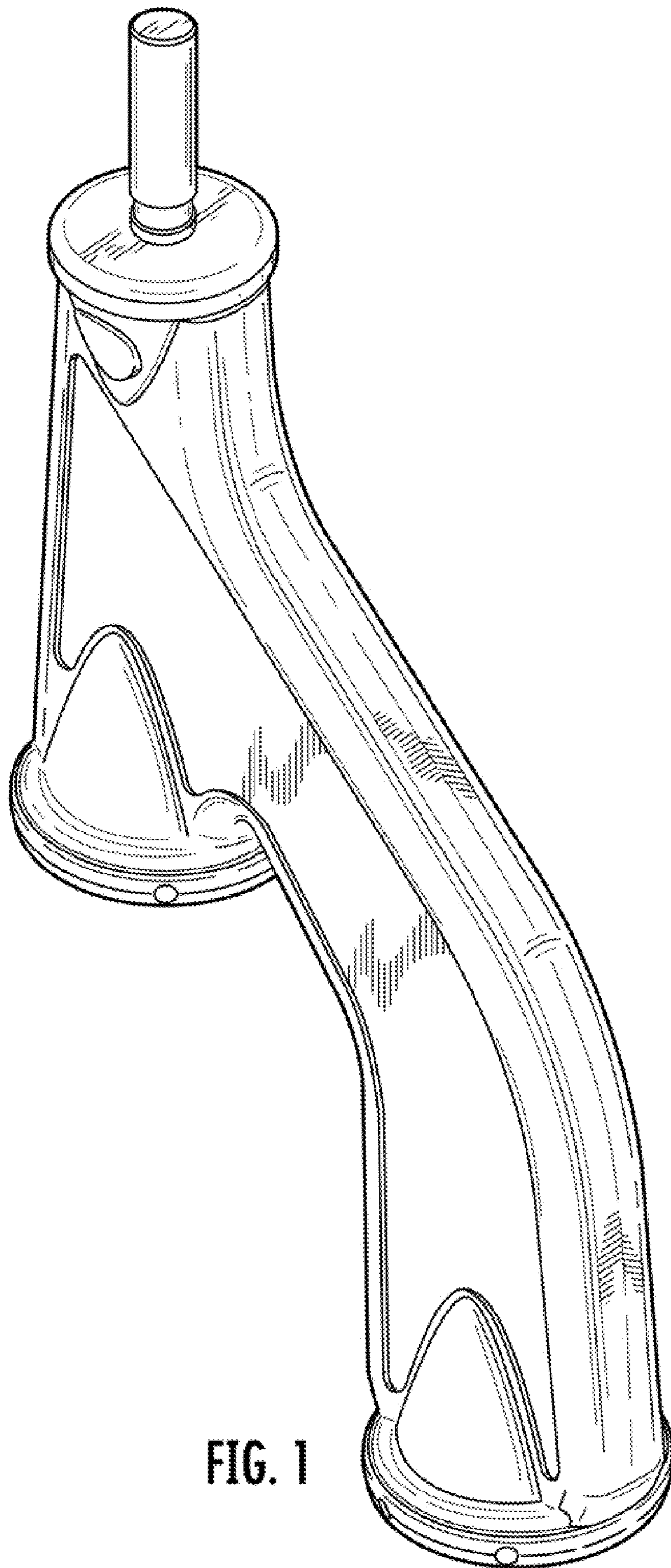


FIG. 1

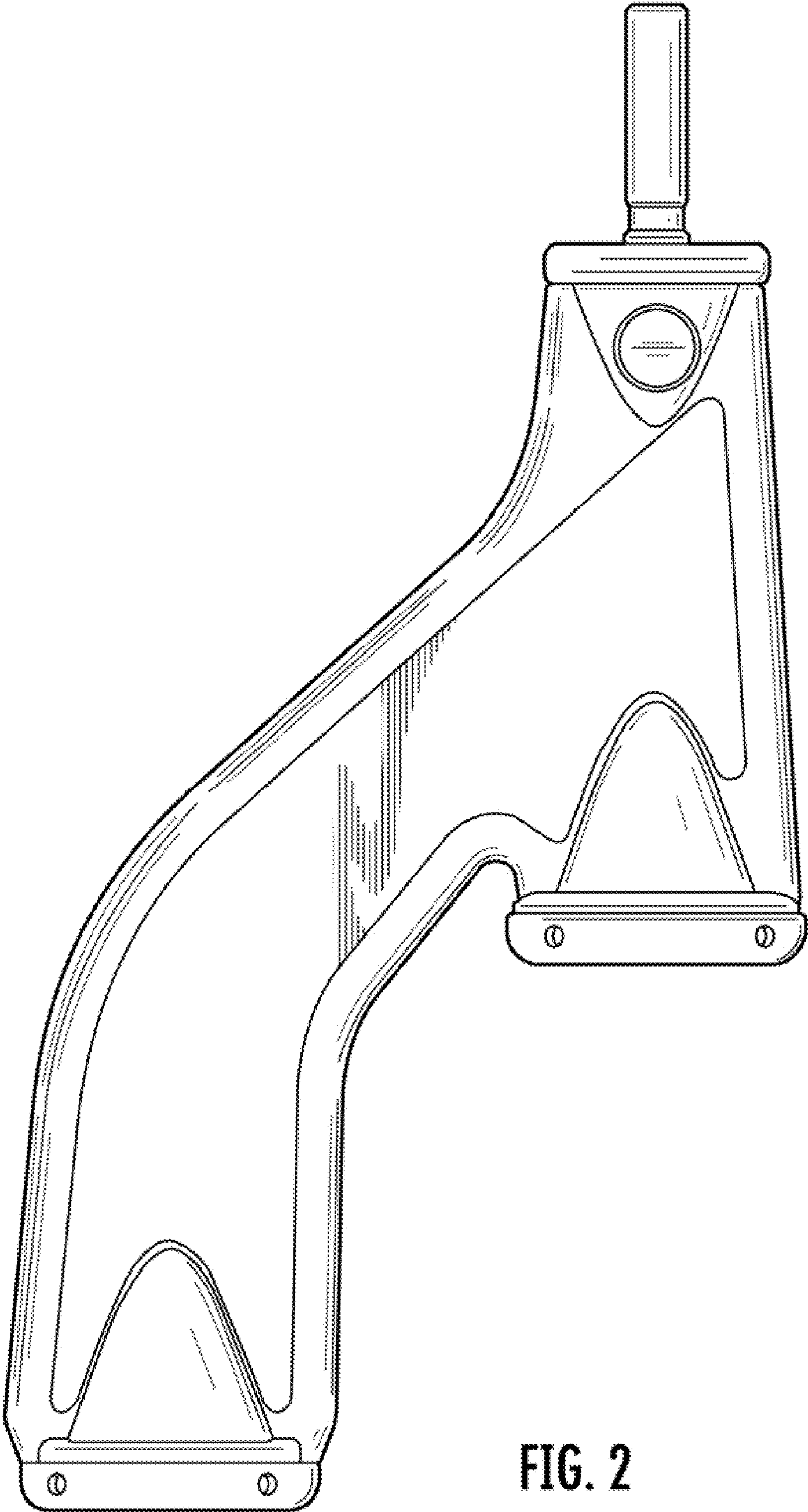


FIG. 2

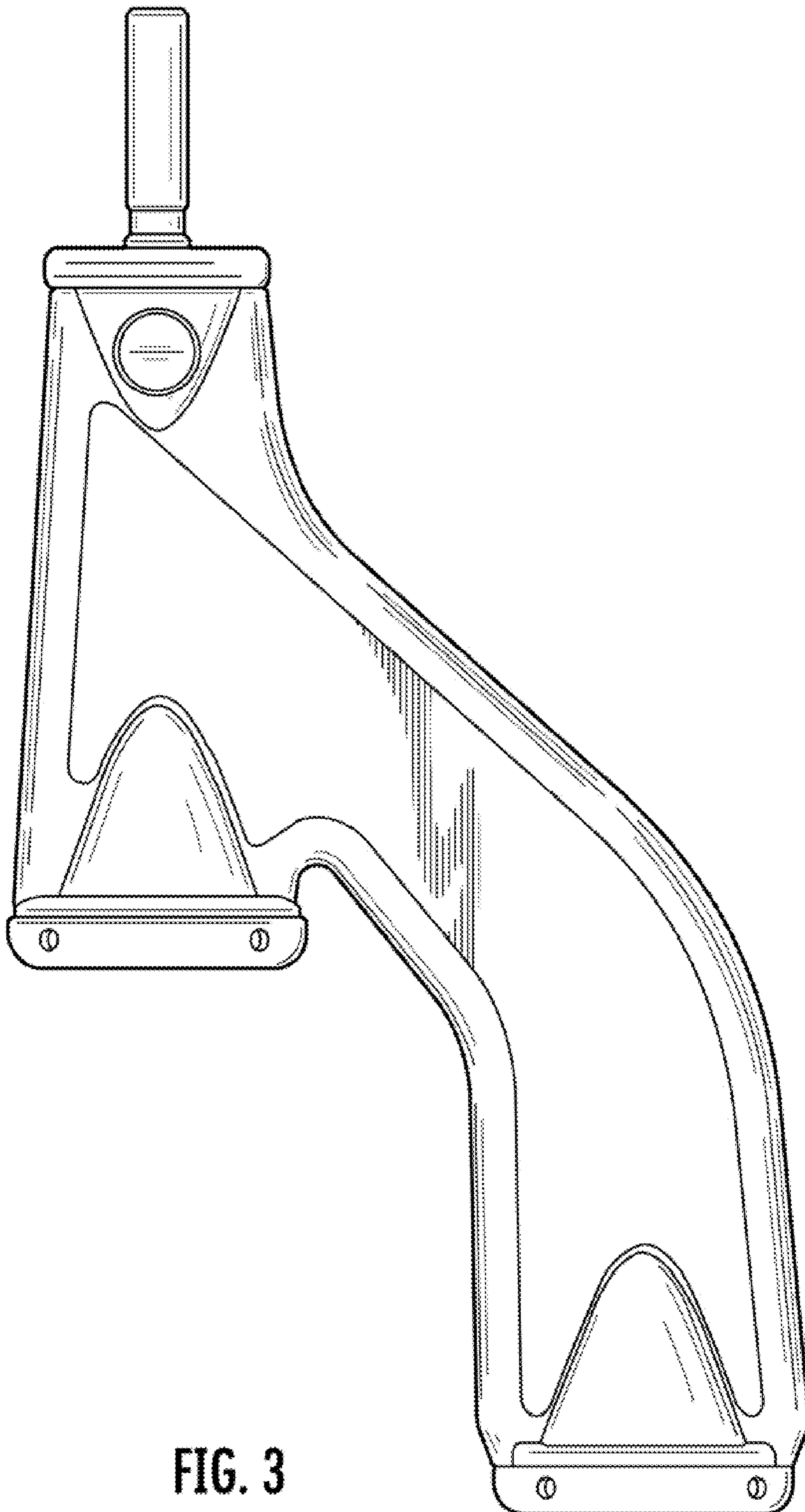


FIG. 3

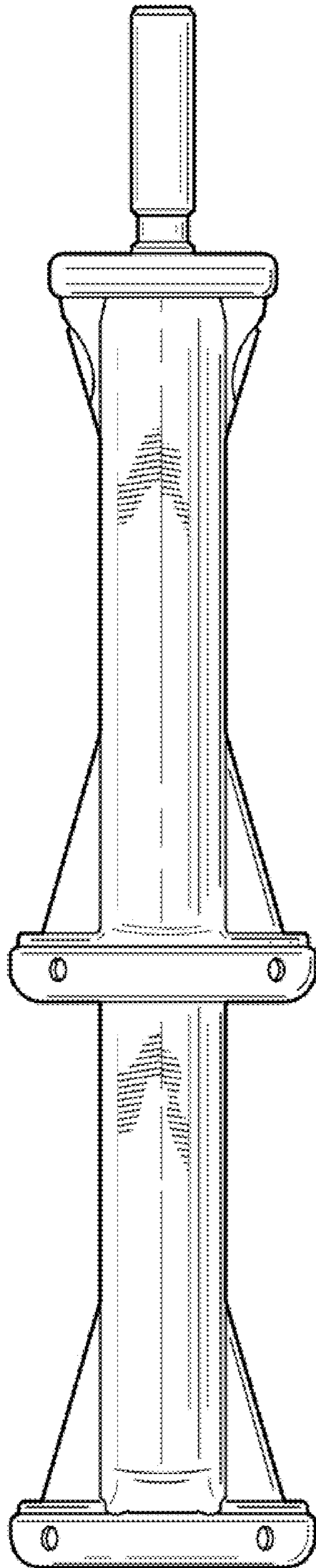


FIG. 4

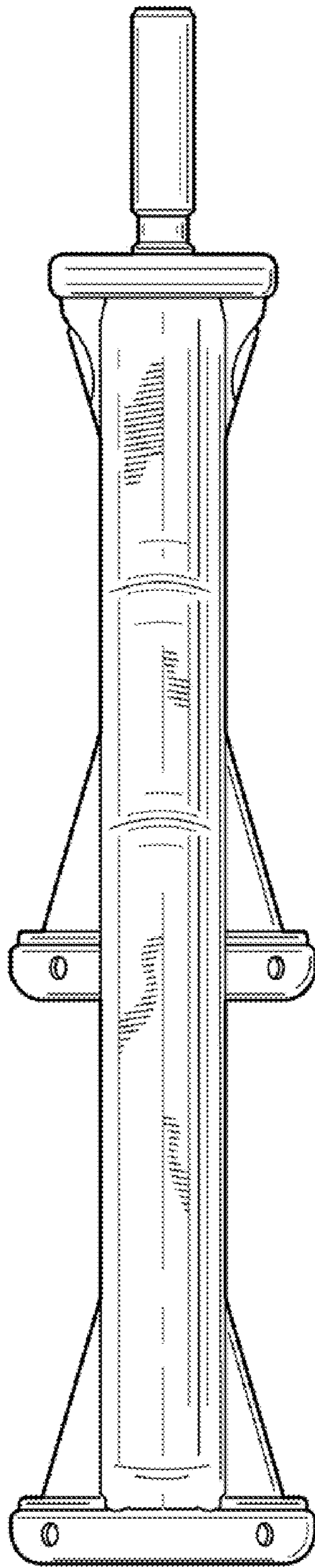


FIG. 5

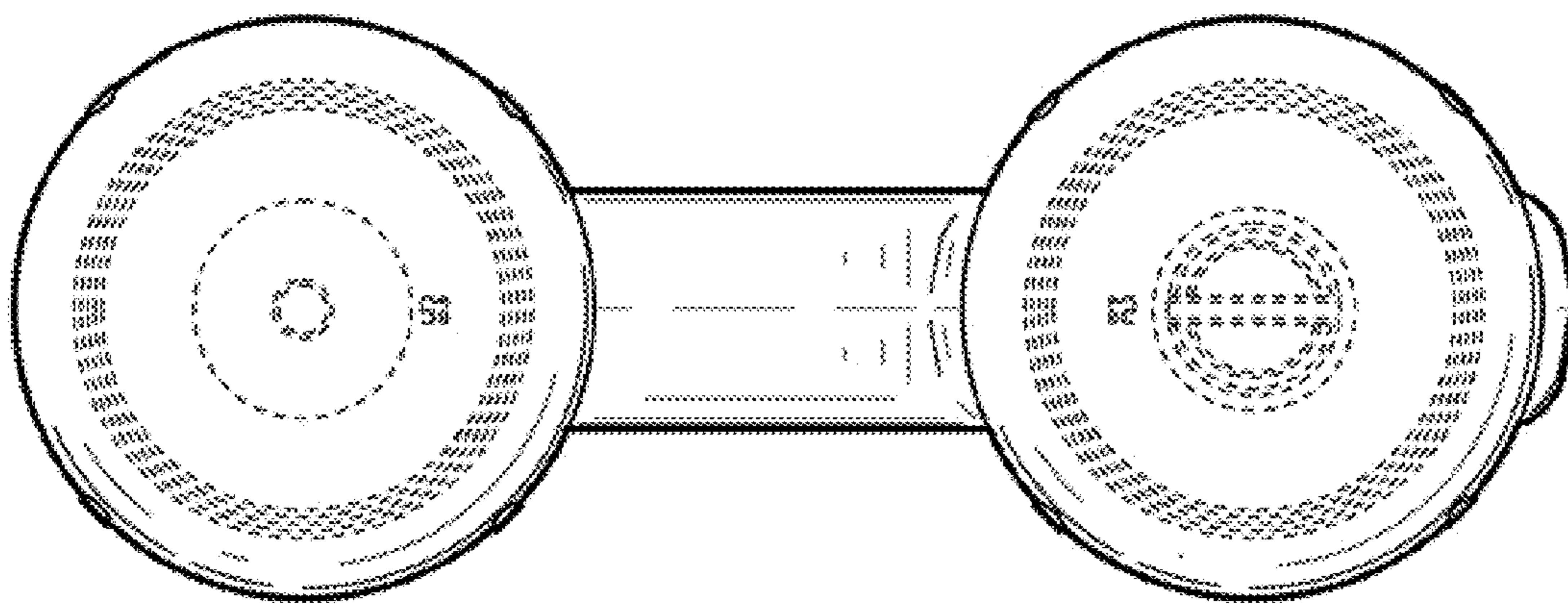


FIG. 6

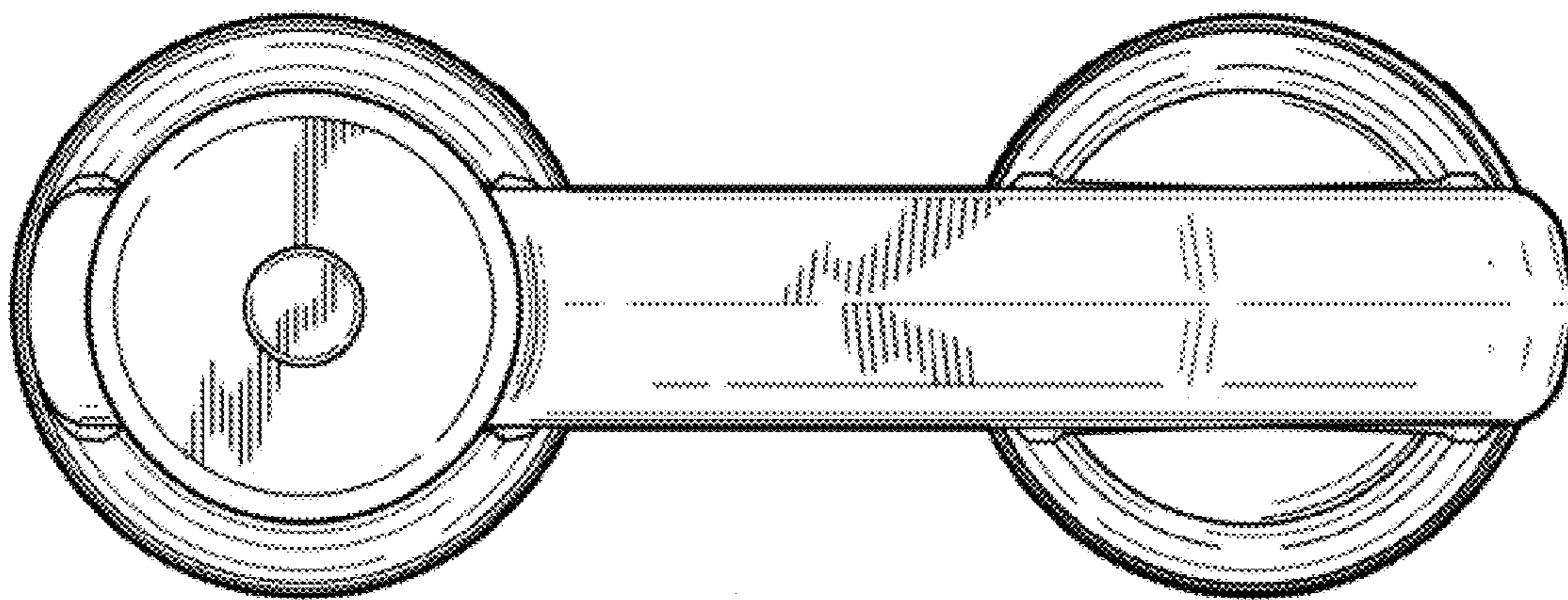


FIG. 7