



US00D655407S

(12) **United States Design Patent**
Adams

(10) **Patent No.:** **US D655,407 S**
(45) **Date of Patent:** **** Mar. 6, 2012**

- (54) **CLIP FOR HOLDING A URINAL ON A BED RAIL**
 - (75) Inventor: **Chuck Adams**, Naperville, IL (US)
 - (73) Assignee: **Medical Action Industries, Inc.**, Brentwood, NY (US)
 - (**) Term: **14 Years**
 - (21) Appl. No.: **29/350,911**
 - (22) Filed: **Nov. 25, 2009**
 - (51) **LOC (9) Cl.** **24-02**
 - (52) **U.S. Cl.** **D24/128; D8/394**
 - (58) **Field of Classification Search** D24/128; 248/214-215, 218.4, 219.4, 316.1; 604/326; D8/394, 396
- See application file for complete search history.

- 6,409,131 B1 * 6/2002 Bentley et al. 248/219.4
 - D539,638 S * 4/2007 Franks, Jr. D8/395
 - D540,943 S * 4/2007 Edwards D24/128
 - D597,666 S * 8/2009 George et al. D24/128
 - D639,937 S * 6/2011 Gray et al. D24/128
 - D644,613 S * 9/2011 Kiely D13/155
 - 2002/0113187 A1 * 8/2002 Decker et al. 248/316.1
 - 2007/0239121 A1 * 10/2007 Tully et al. 604/326
 - 2008/0272254 A1 * 11/2008 Harr et al. 248/218.4
 - 2011/0138533 A1 * 6/2011 Rippe et al. 5/499
- * cited by examiner

Primary Examiner — T. Chase Nelson
Assistant Examiner — Eric Goodman
 (74) *Attorney, Agent, or Firm* — Vinson & Elkins LLP

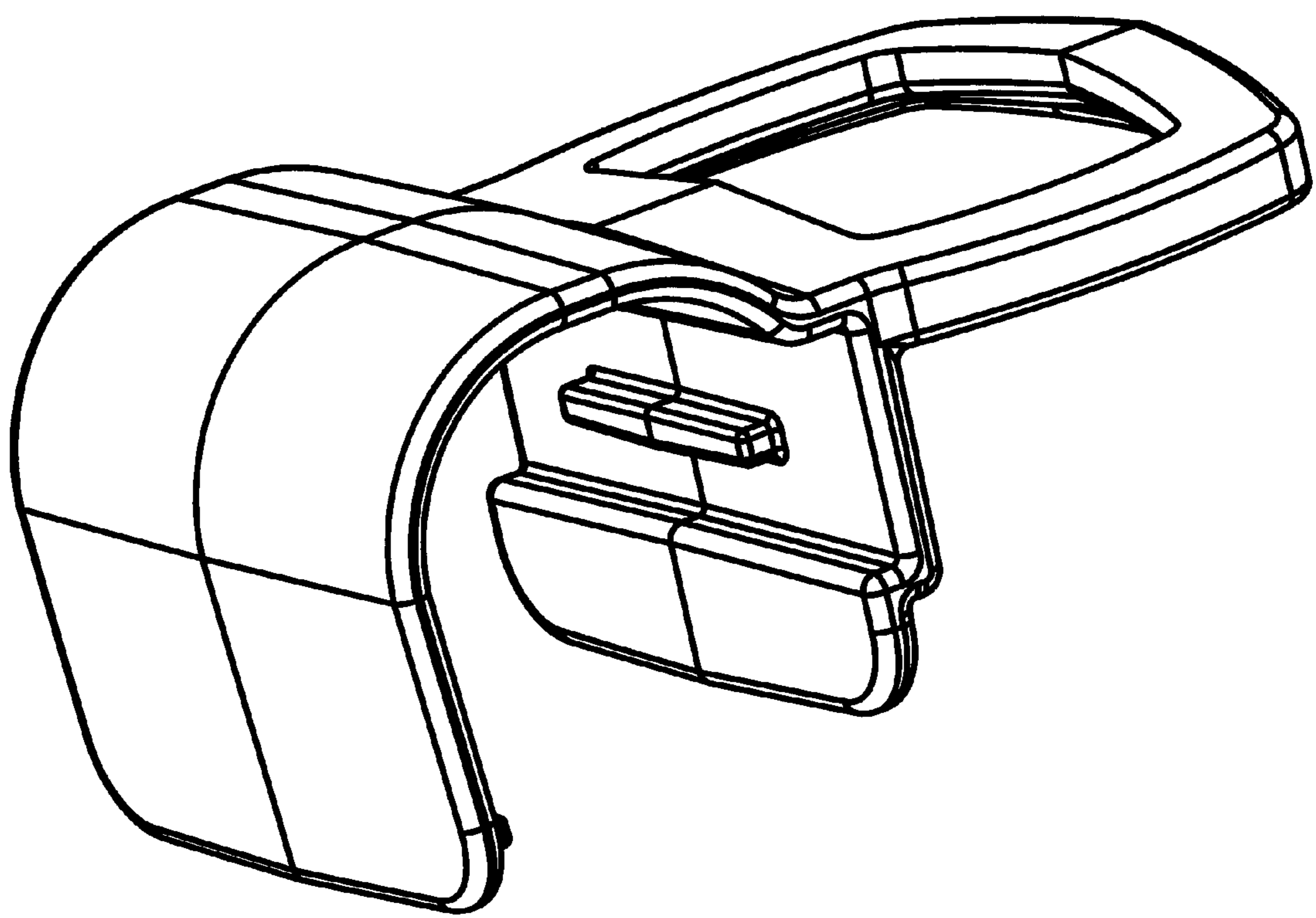
(57) **CLAIM**
 The ornamental design for a clip for holding a urinal on a bed rail, as shown.

DESCRIPTION

FIG. 1 is a right rear perspective view of a clip for holding a urinal on a bed rail of the inventive design; FIG. 2 is a right front perspective view thereof; FIG. 3 is a front elevational view thereof; FIG. 4 is a rear elevational view thereof; FIG. 5 is a right side elevational view thereof; FIG. 6 is a left side elevational view thereof; FIG. 7 is a top view thereof; and, FIG. 8 is a bottom view thereof.

1 Claim, 8 Drawing Sheets

- (56) **References Cited**
- U.S. PATENT DOCUMENTS
- 3,473,772 A * 10/1969 Nilson 248/214
 - 4,332,042 A * 6/1982 Koncelik 5/424
 - 4,431,154 A * 2/1984 Hamm 248/215
 - D277,781 S * 2/1985 Weissenburger D24/176
 - 4,672,703 A * 6/1987 Frazier 5/503.1
 - D302,655 S * 8/1989 Sachs D8/396
 - D331,358 S * 12/1992 Sachs D8/356
 - D370,061 S * 5/1996 Shirley D24/128
 - 5,606,835 A * 3/1997 Champagne 52/545
 - 5,841,373 A * 11/1998 Mason 341/21



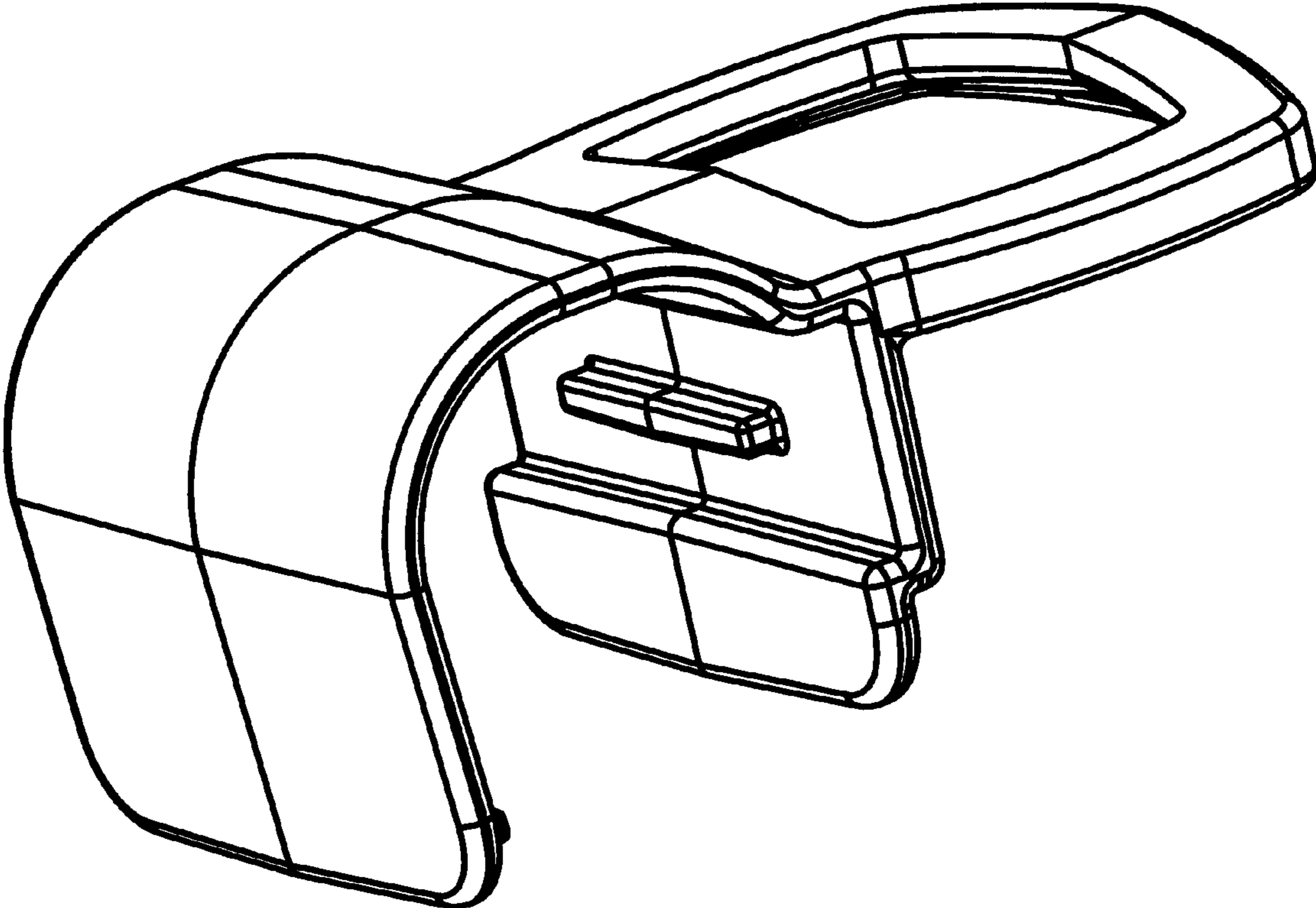


FIG. 1

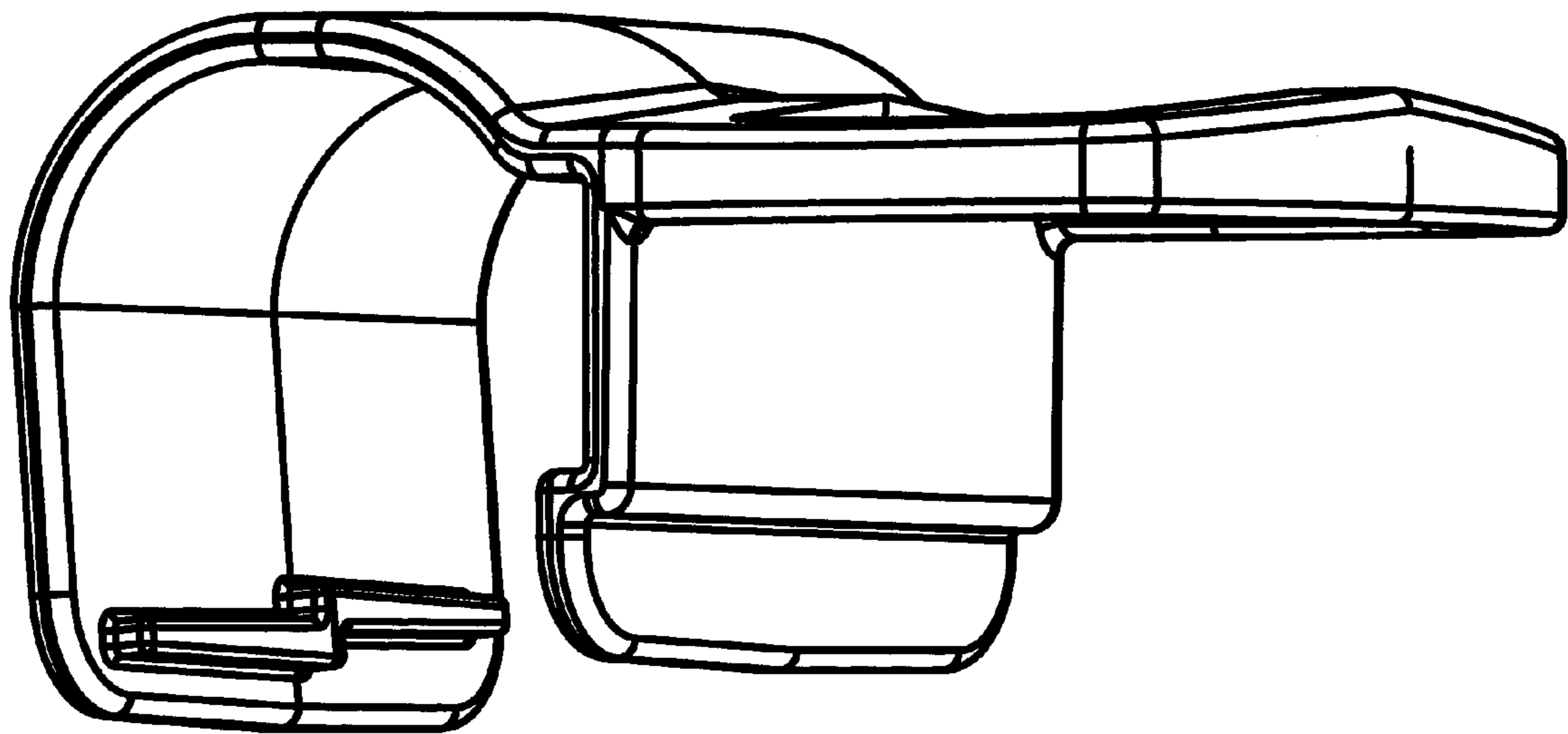


FIG. 2

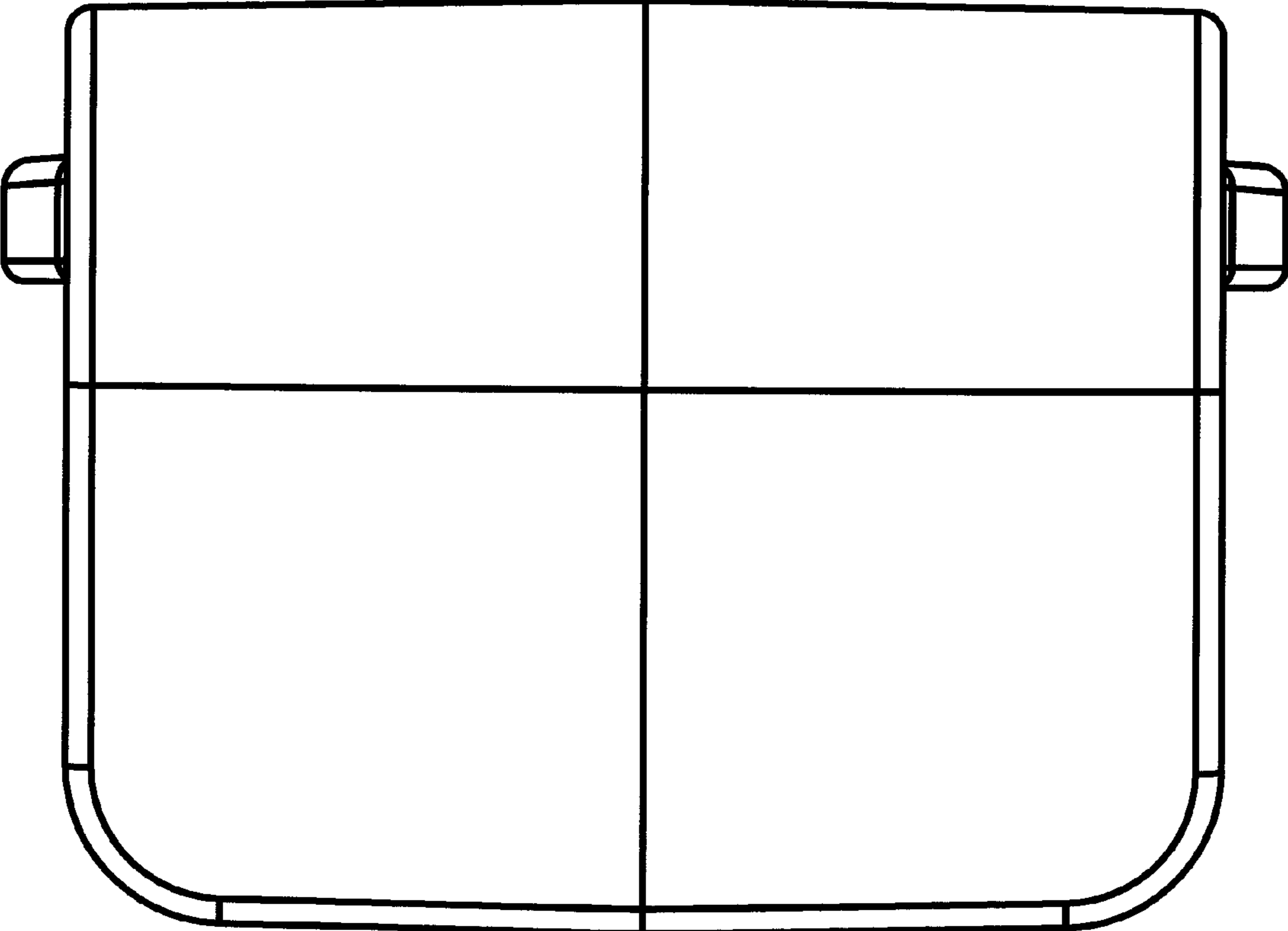


FIG. 3

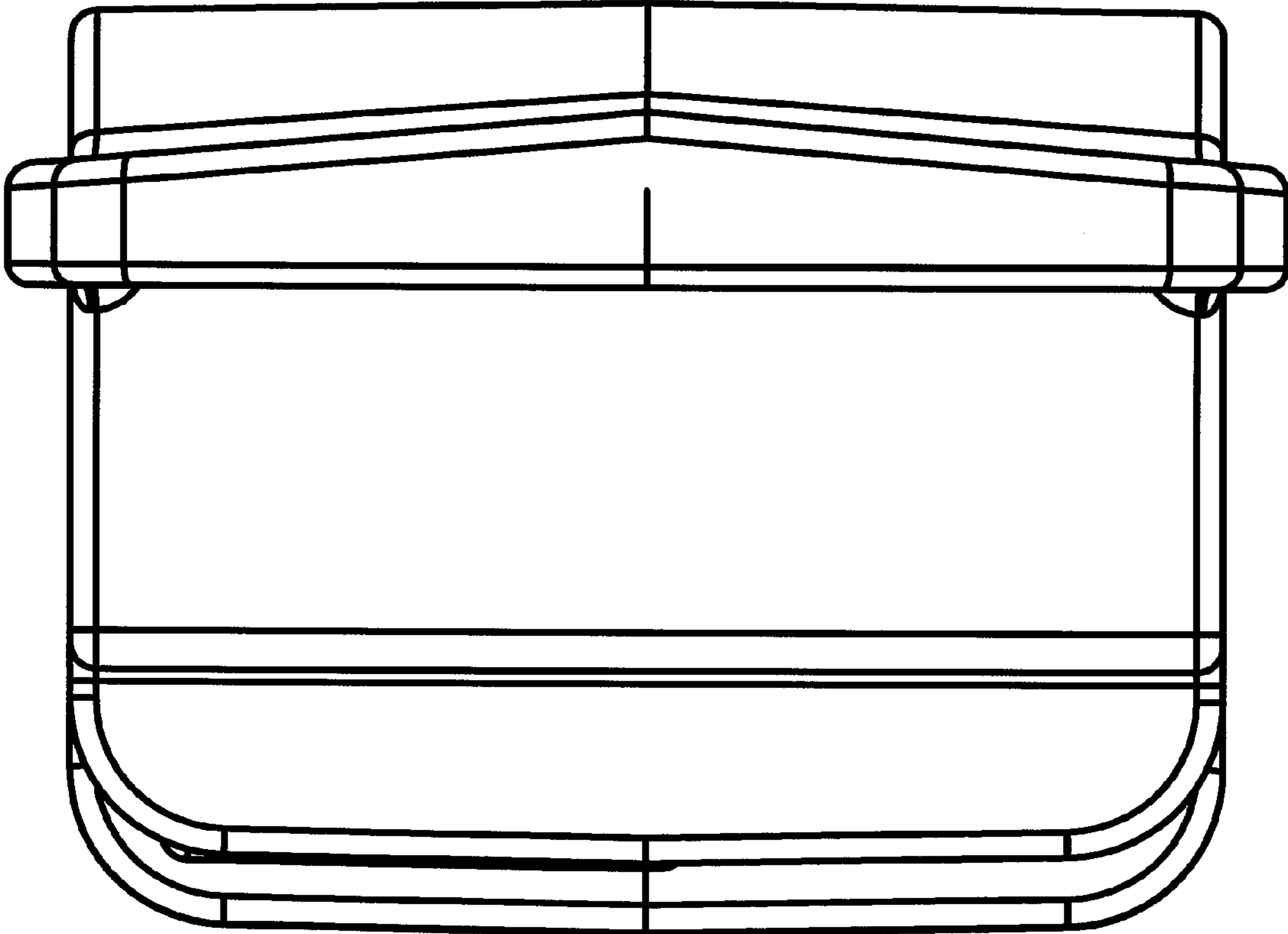


FIG. 4

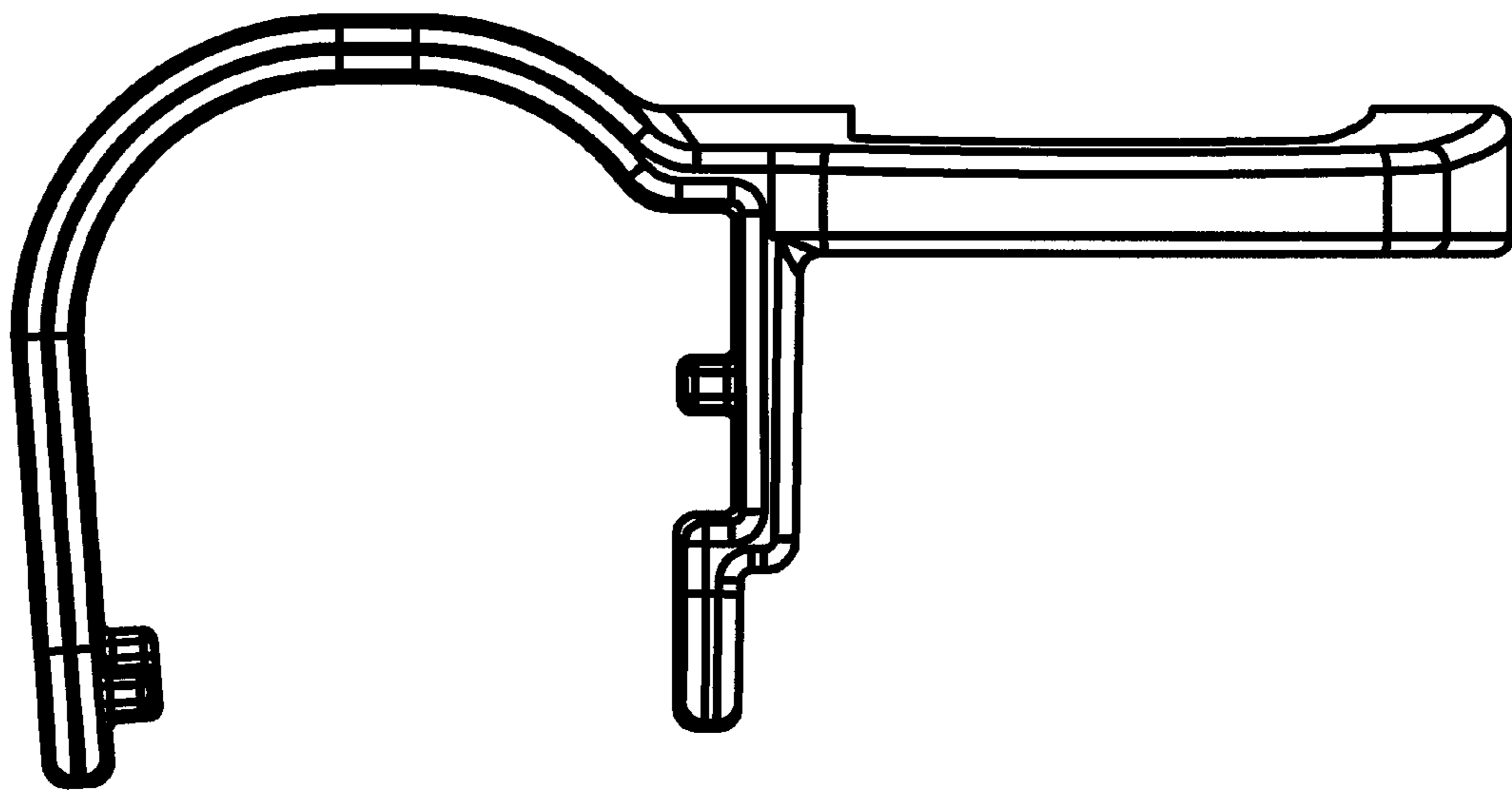


FIG. 5

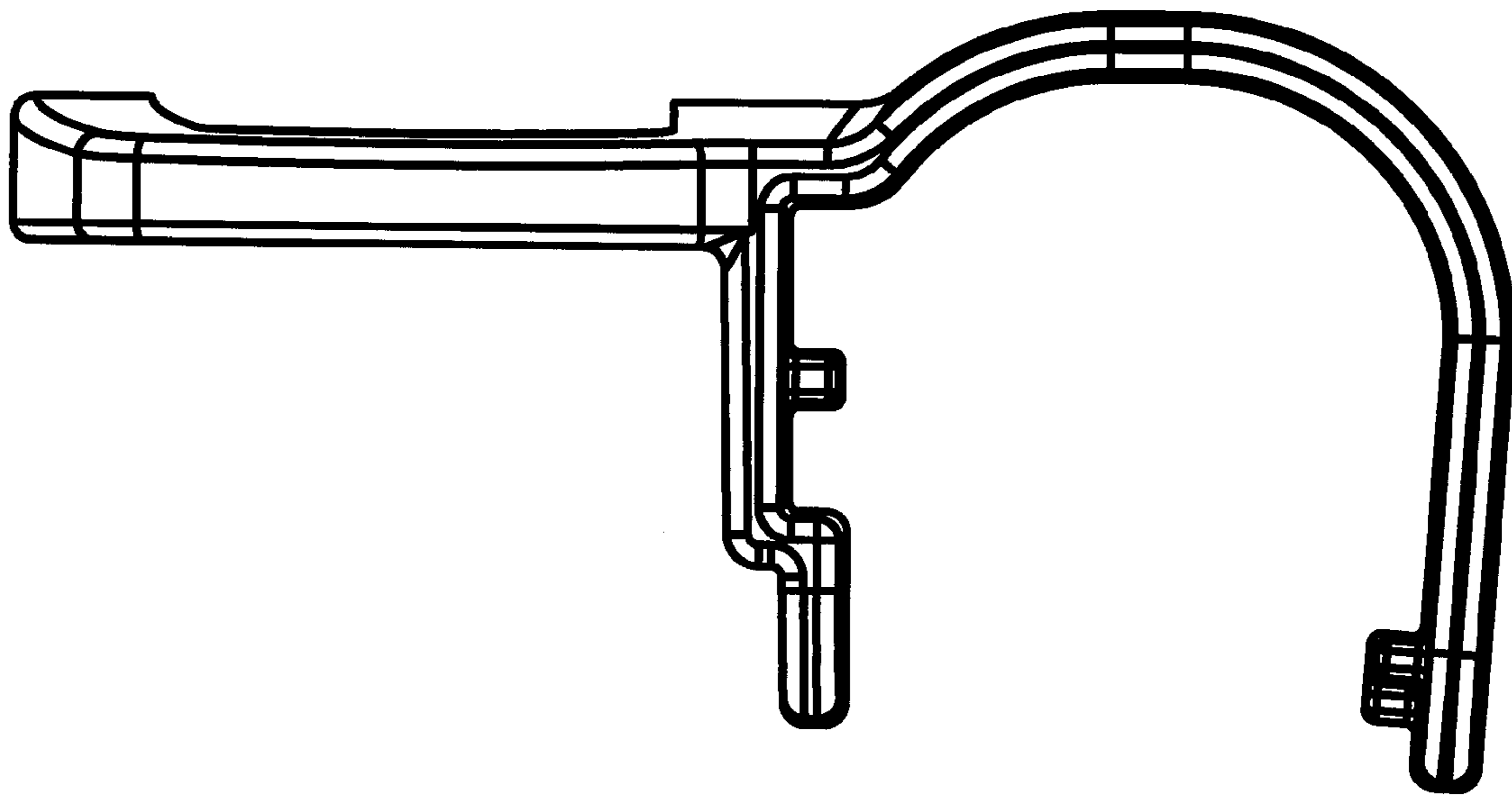


FIG. 6

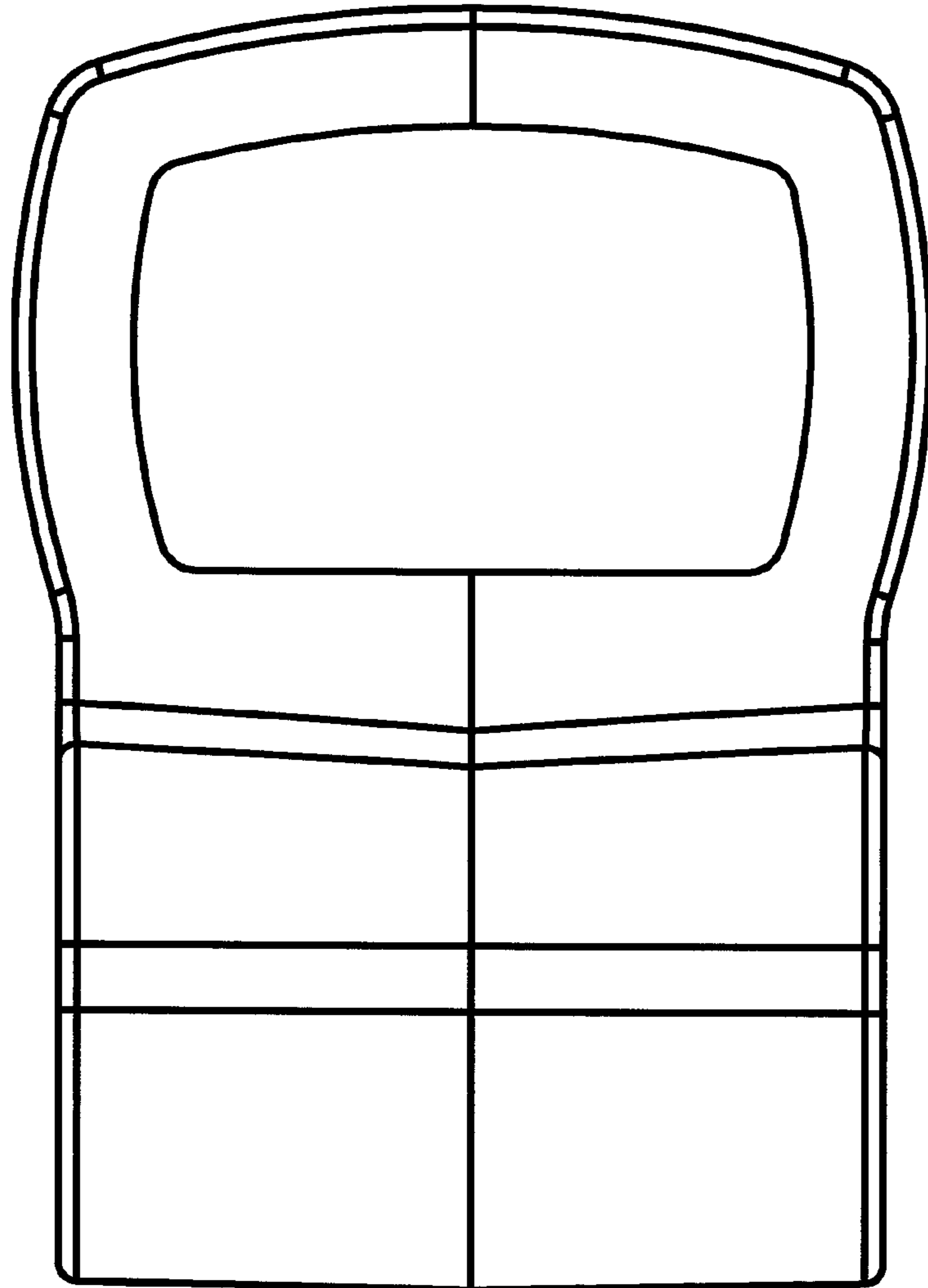


FIG. 7

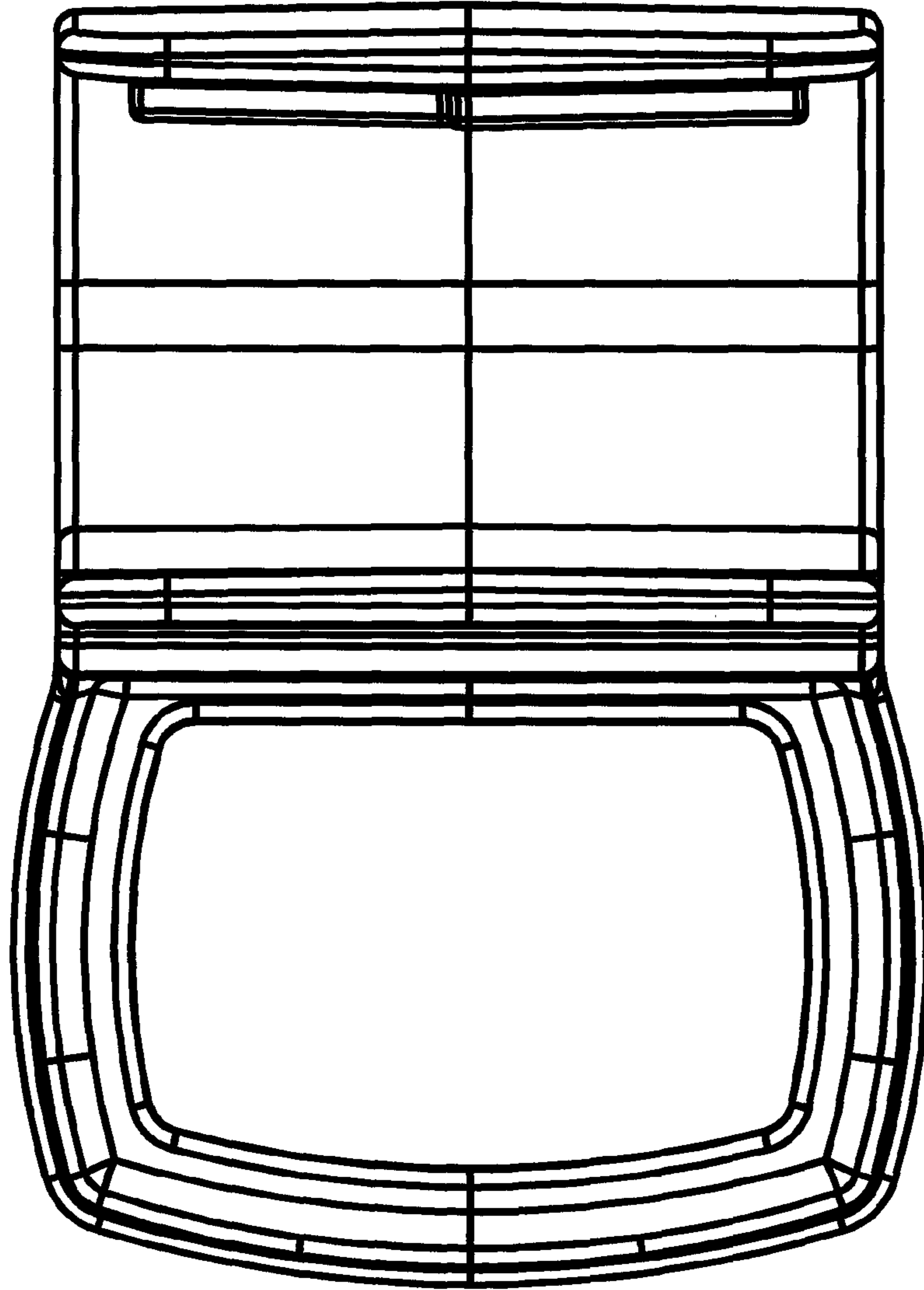


FIG. 8