



US00D655404S

(12) **United States Design Patent**
Mittelstadt

(10) **Patent No.:** **US D655,404 S**
(45) **Date of Patent:** **** Mar. 6, 2012**

(54) **RESPIRATOR MASK BODY**
(75) **Inventor:** **William A. Mittelstadt**, Woodbury, MN (US)
(73) **Assignee:** **3M Innovative Properties Company**, St. Paul, MN (US)
(**) **Term:** **14 Years**

(21) **Appl. No.:** **29/357,304**
(22) **Filed:** **Mar. 10, 2010**
(51) **LOC (9) Cl.** **29-02**
(52) **U.S. Cl.** **D24/110.1**
(58) **Field of Classification Search** D24/110.1, D24/110.4, 110.5; 128/205.25, 205.27, 205.28, 128/205.29, 206.12, 206.17, 206.24, 207.11
See application file for complete search history.

(56) **References Cited**

U.S. PATENT DOCUMENTS

2,102,037	A *	12/1937	Schwartz	128/206.15
3,249,108	A *	5/1966	Terman	128/204.17
4,458,679	A *	7/1984	Ward	128/201.13
4,520,509	A *	6/1985	Ward	2/206
4,590,933	A *	5/1986	Itoh	128/205.24
D326,541	S *	5/1992	McBrearty, Jr.	D24/110.1
5,505,197	A *	4/1996	Scholey	128/206.17
D382,341	S	8/1997	Freund		
D440,301	S	4/2001	Fecteau et al.		
D467,656	S	12/2002	Mittelstadt et al.		
D471,627	S	3/2003	Mittelstadt et al.		
D473,937	S	4/2003	Fecteau et al.		
D476,082	S *	6/2003	Gell	D24/125

D476,732	S *	7/2003	Smart	D24/110.4
D597,200	S	7/2009	Grimsley		
D619,701	S *	7/2010	Edwards et al.	D24/110.1
2002/0195108	A1 *	12/2002	Mittelstadt et al.	128/206.15
2003/0154984	A1 *	8/2003	Fernandes	128/205.27
2011/0220112	A1 *	9/2011	Connor	128/206.24

FOREIGN PATENT DOCUMENTS

EM	96961-001	2/2004
GB	2073735	8/1998

OTHER PUBLICATIONS

3M 7500 Series Half Mask literature from p. 257 in SPETS Catalog Vostok-Servis-Spetsodezhda (2007) in Russian, together with comparable product literature provided by applicant in English.

* cited by examiner

Primary Examiner — Rashida Johnson
(74) *Attorney, Agent, or Firm* — Karl G. Hanson

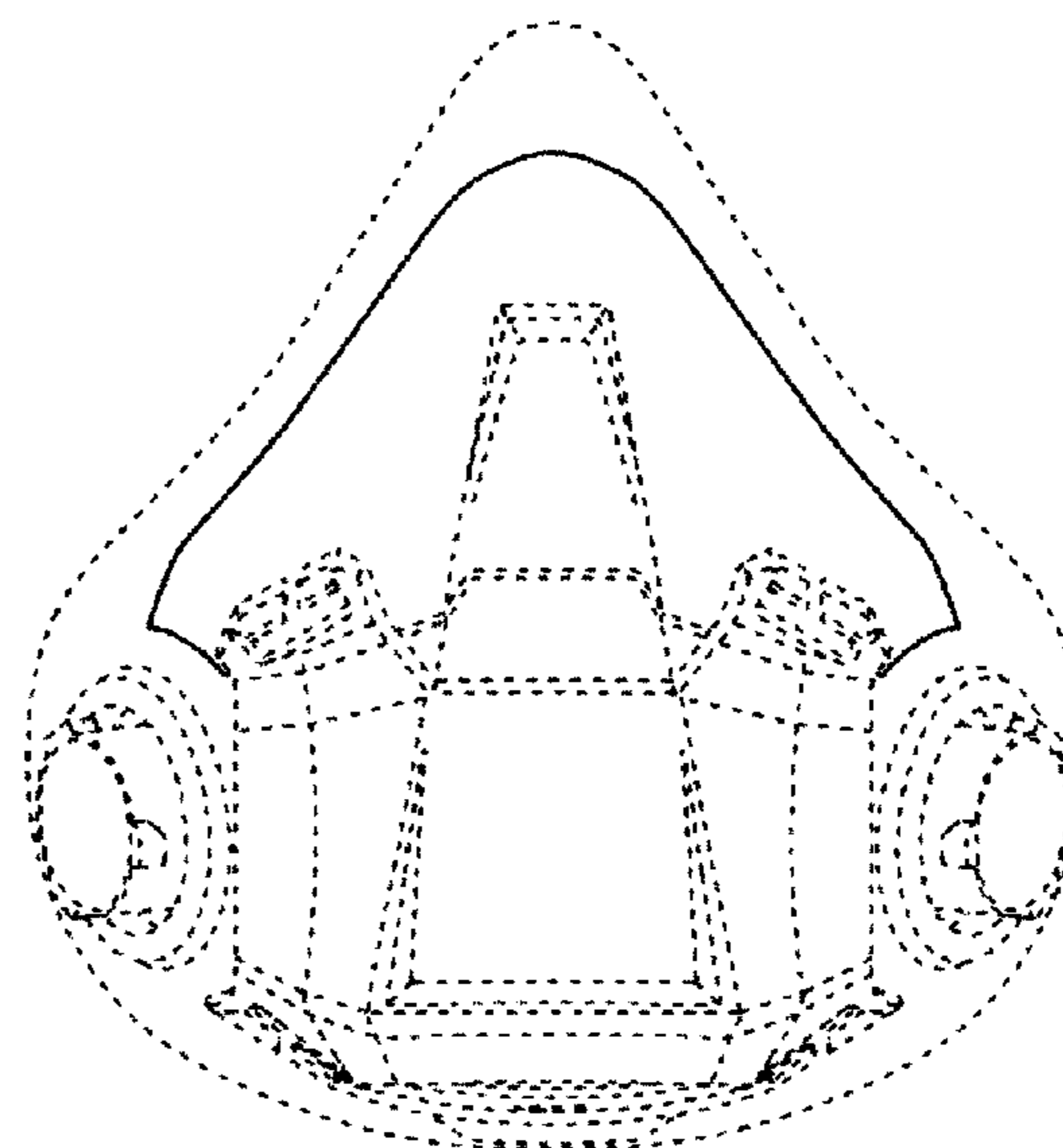
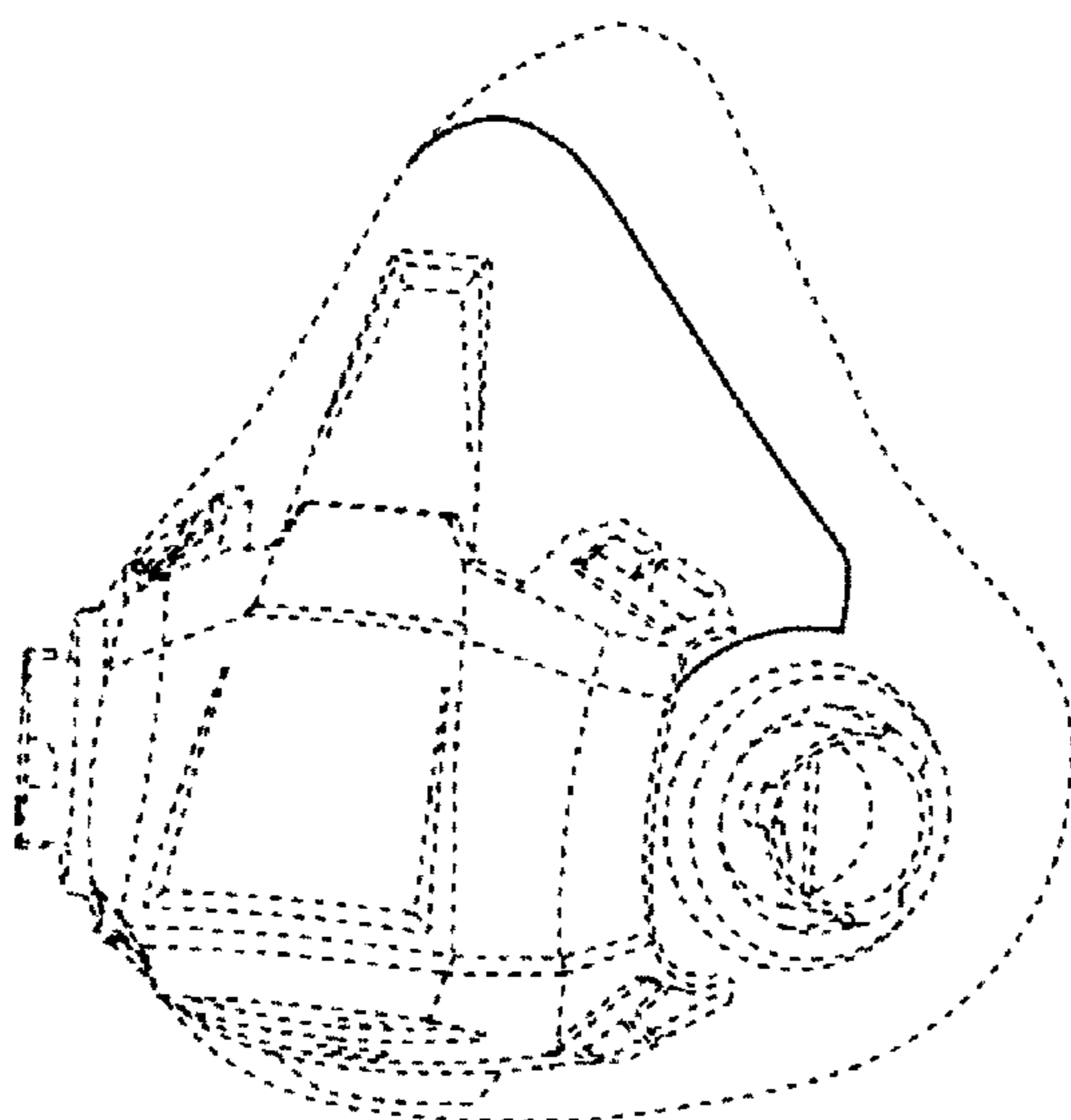
(57) **CLAIM**

The ornamental design for a respirator mask body, as shown and described.

DESCRIPTION

FIG. 1 is a perspective view, showing the new design for a respirator mask body;
FIG. 2 is a front view thereof;
FIG. 3 is a rear view thereof;
FIG. 4 is a right side view, the left side view being a mirror image thereof;
FIG. 5 is a top view thereof; and,
FIG. 6 is a bottom view.
The broken line showing forms no part of the claimed design.

1 Claim, 3 Drawing Sheets



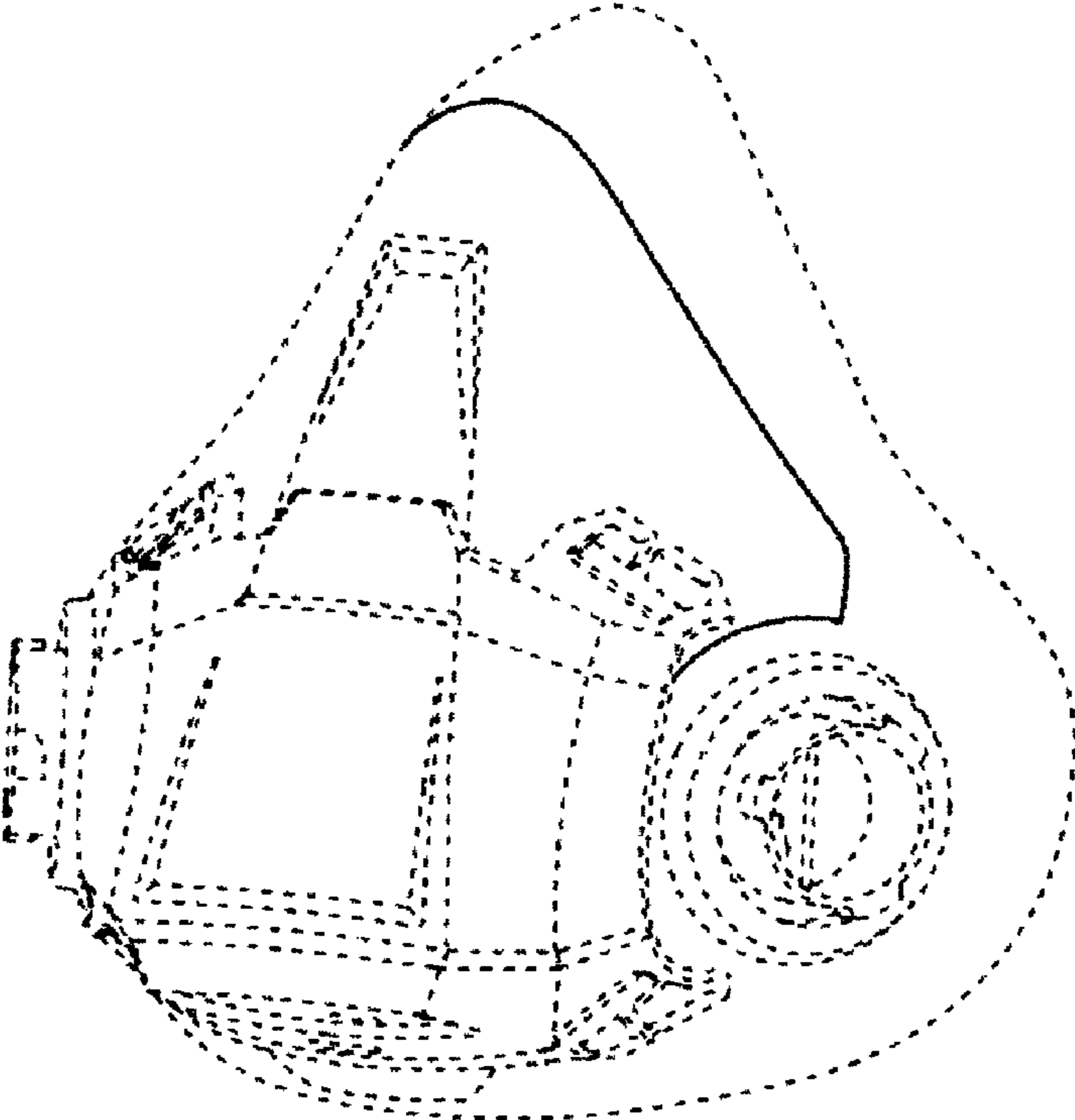


FIG. 1

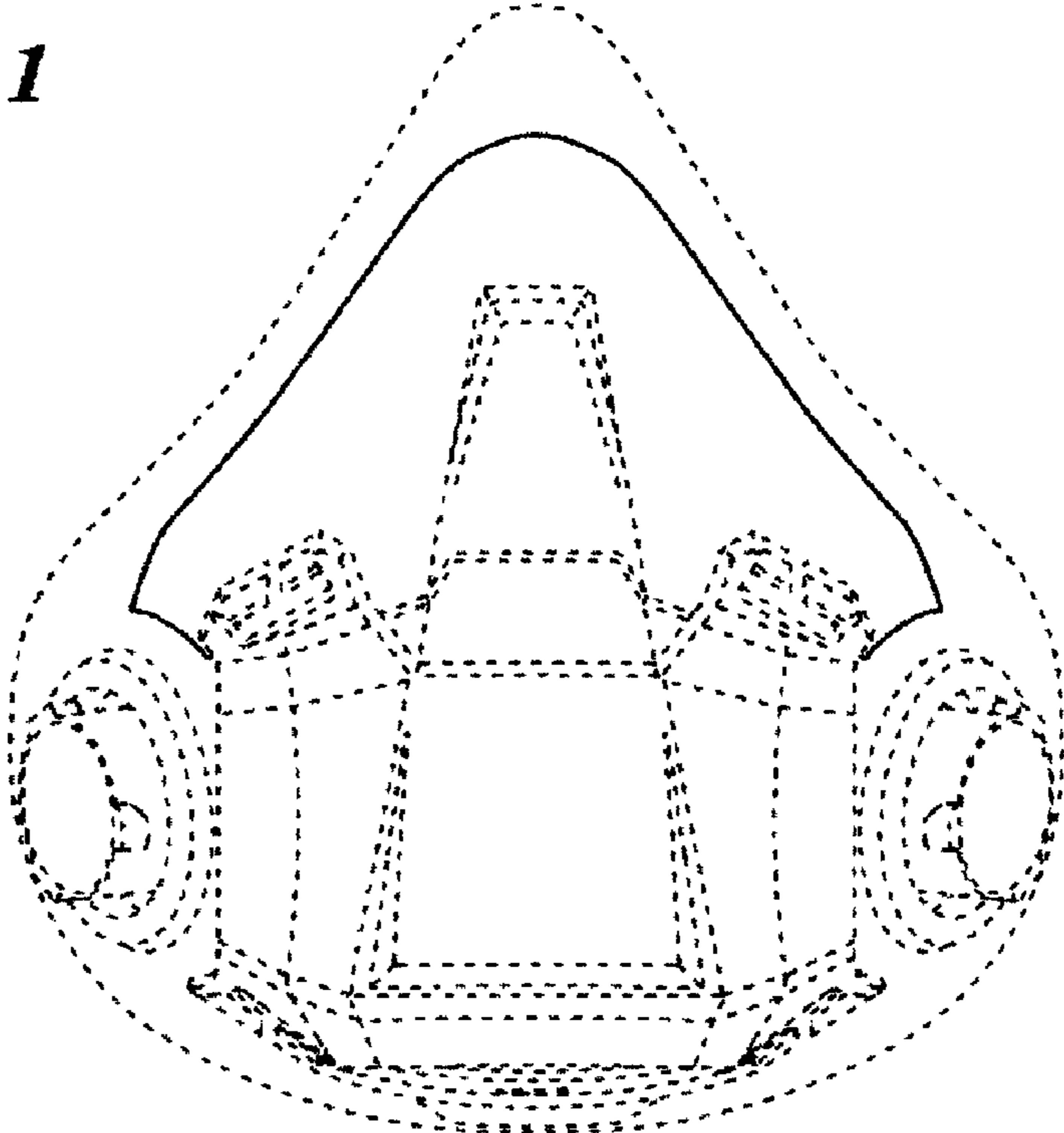


FIG. 2

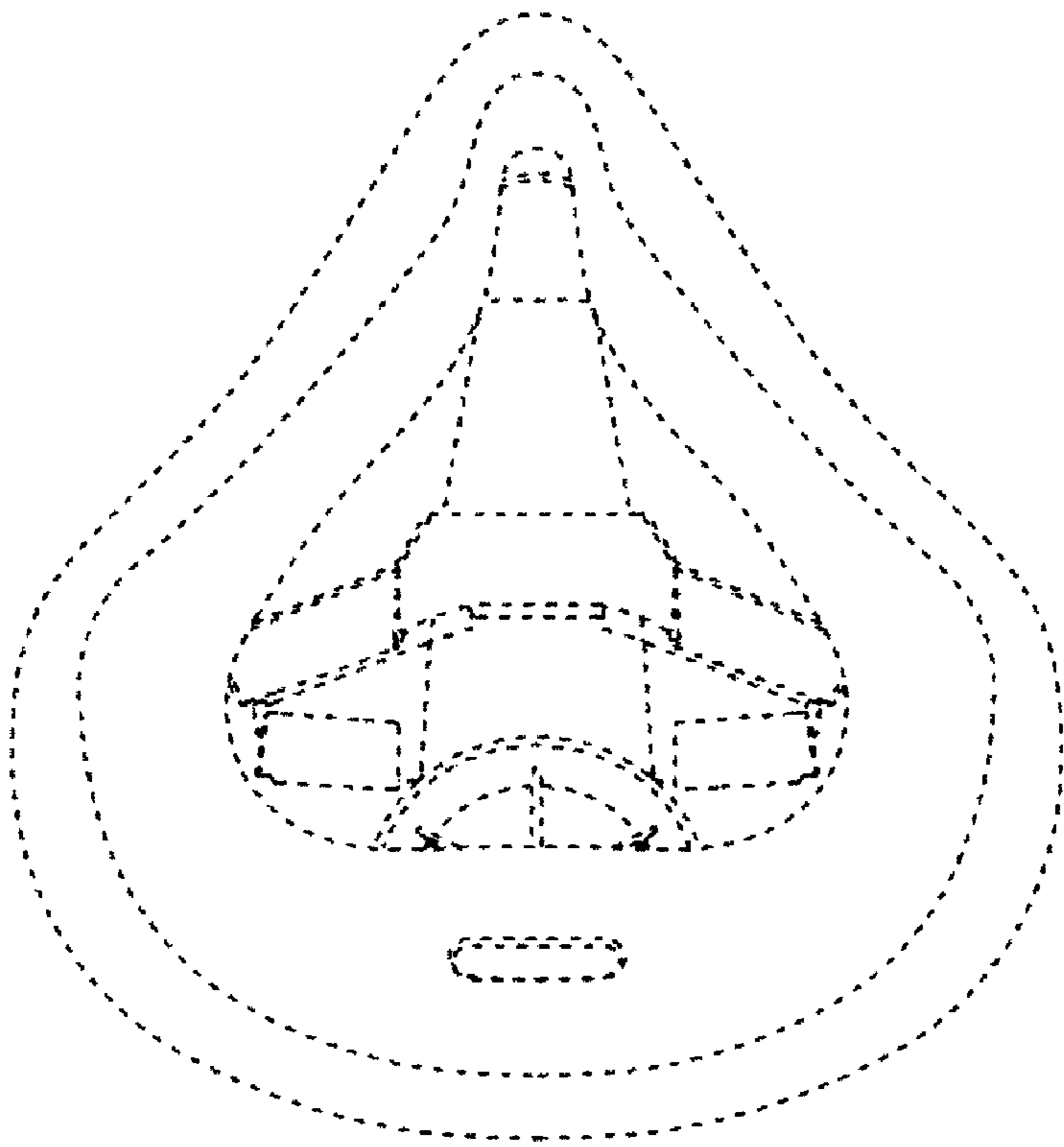


FIG. 3

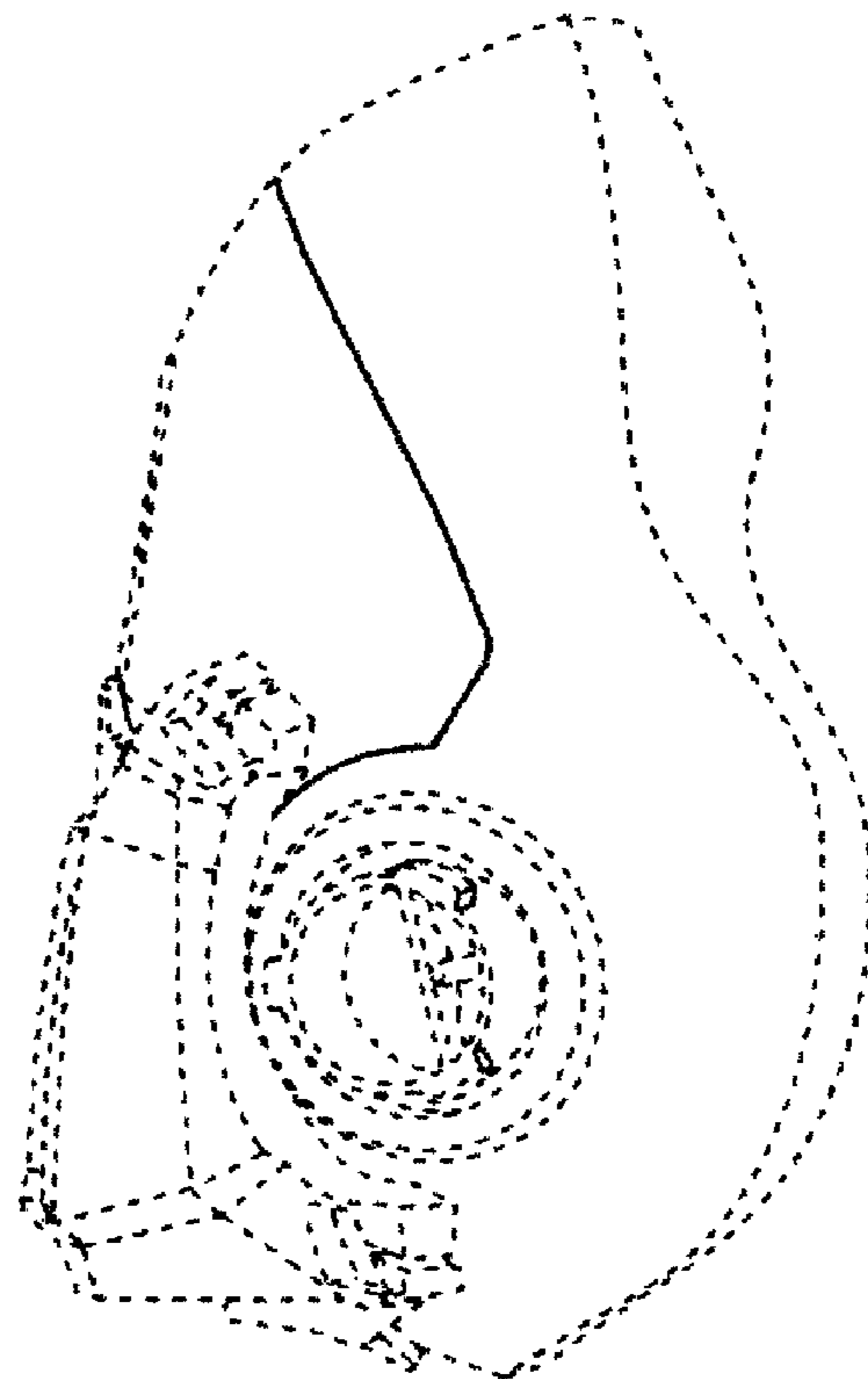


FIG. 4

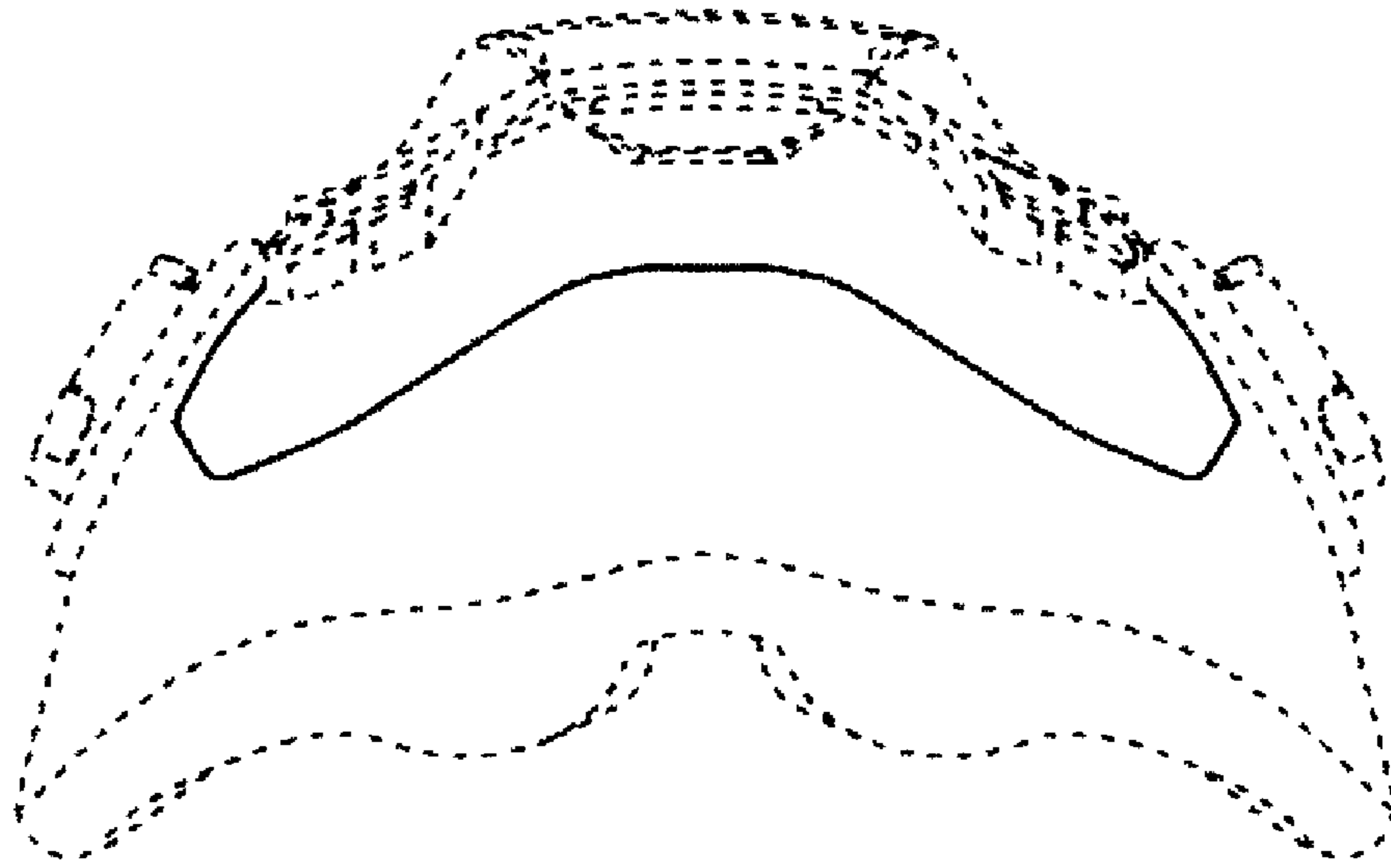


FIG. 5

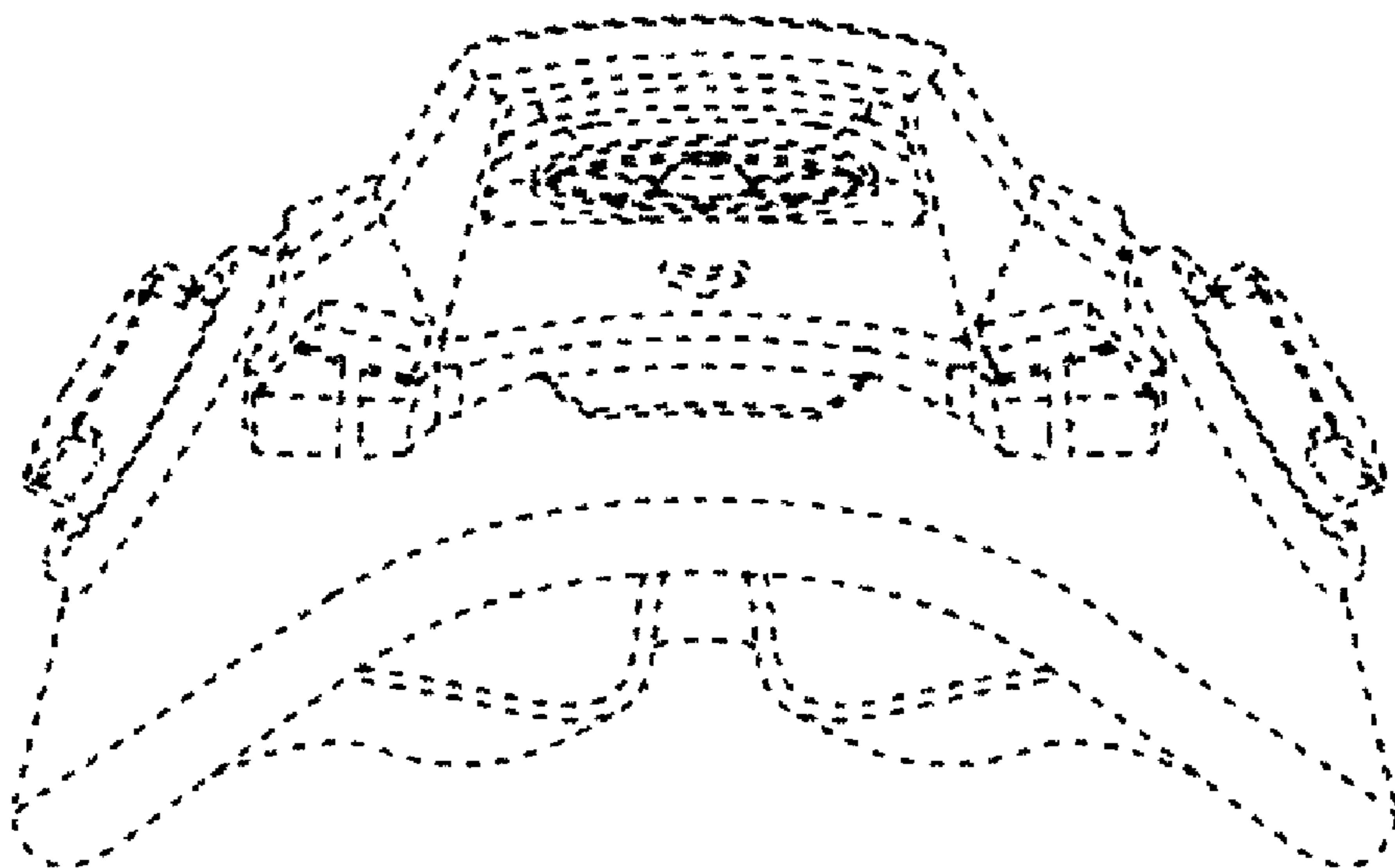


FIG. 6