

US00D655403S

(12) **United States Design Patent**
Zakula et al.

(10) **Patent No.:** **US D655,403 S**
(45) **Date of Patent:** **** Mar. 6, 2012**

(54) **GRILLE**

(75) Inventors: **Mirko Zakula**, New Berlin, WI (US);
Kiyoshi Hoshino, Pewaukee, WI (US);
Corey S. Jacak, West Bend, WI (US)

(73) Assignee: **Broan-NuTone LLC**, Hartford, WI (US)

(**) Term: **14 Years**

(21) Appl. No.: **29/375,374**

(22) Filed: **Sep. 21, 2010**

(51) **LOC (9) Cl.** **23-04**

(52) **U.S. Cl.** **D23/388**

(58) **Field of Classification Search** D23/388-393,
D23/385, 370, 371, 351, 354, 386; 454/309,
454/275-277, 284, 287-289; D26/118, 72,
D26/152, 119; 415/1

See application file for complete search history.

D570,465 S * 6/2008 Miyake et al. D23/371
D577,805 S * 9/2008 Adrian et al. D23/371
D618,782 S * 6/2010 Zakula et al. D23/385

FOREIGN PATENT DOCUMENTS

CA 108550 1/2006
CA 108557 1/2006

OTHER PUBLICATIONS

Broan QTX110SL Media Gallery, Broan QTX110SL Combination Fan, Light, Night-Light, 110 CFM, 0.9 Sones, Humidity Sensing, VENTINGDIRECT.COM, p. 1.

* cited by examiner

Primary Examiner — David Muller

(74) *Attorney, Agent, or Firm* — Greenberg Traurig, LLP

(57) **CLAIM**

We claim the ornamental design for a grille, as shown and described.

(56) **References Cited**

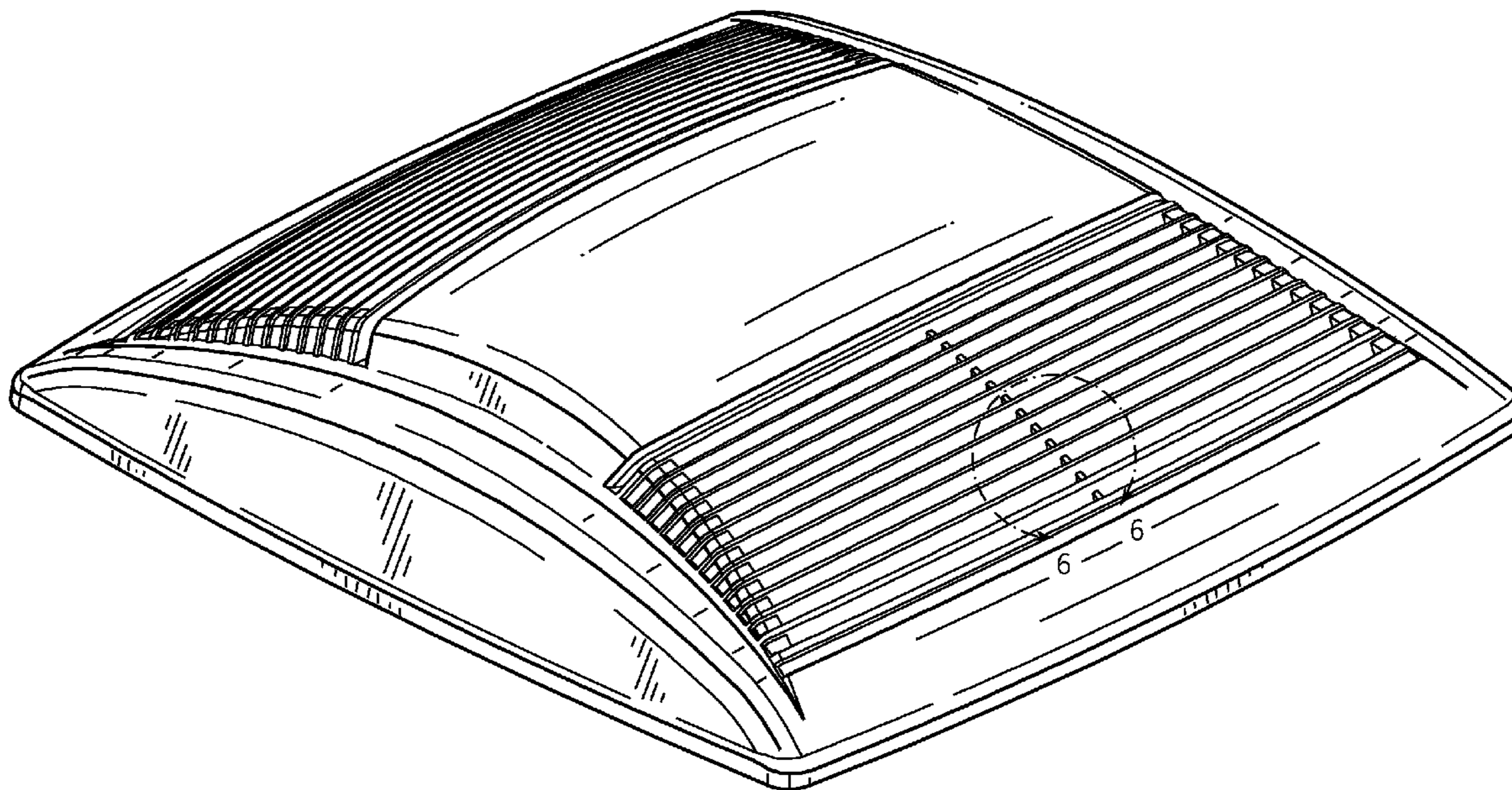
U.S. PATENT DOCUMENTS

D287,888 S * 1/1987 Castor et al. D23/371
D490,147 S * 5/2004 Miura D23/385
D510,996 S 10/2005 Vladika
D512,503 S 12/2005 Roland
6,979,169 B2 * 12/2005 Penlesky et al. 415/1
D530,808 S * 10/2006 Sinur et al. D23/385
D535,431 S * 1/2007 Roland D26/118
D535,433 S * 1/2007 Crow et al. D26/119
D543,270 S * 5/2007 Miura et al. D23/385
D565,717 S * 4/2008 Jacak et al. D23/371
D567,352 S * 4/2008 Hollingsworth et al. D23/388
D567,353 S * 4/2008 Hollingsworth et al. D23/388
D567,355 S 4/2008 Zakula et al.

DESCRIPTION

FIG. 1 is a perspective view of the grille.
FIG. 2 is a top view thereof;
FIG. 3 is a front view thereof;
FIG. 4 is a side view thereof;
FIG. 5 is a bottom view thereof; and,
FIG. 6 is an expanded view of a portion of the grille along line "6-6" shown in FIG. 1.
The broken line showing of parts of the drawings is included for the purpose of illustrating use and environment and forms no part of the claimed design.

1 Claim, 4 Drawing Sheets



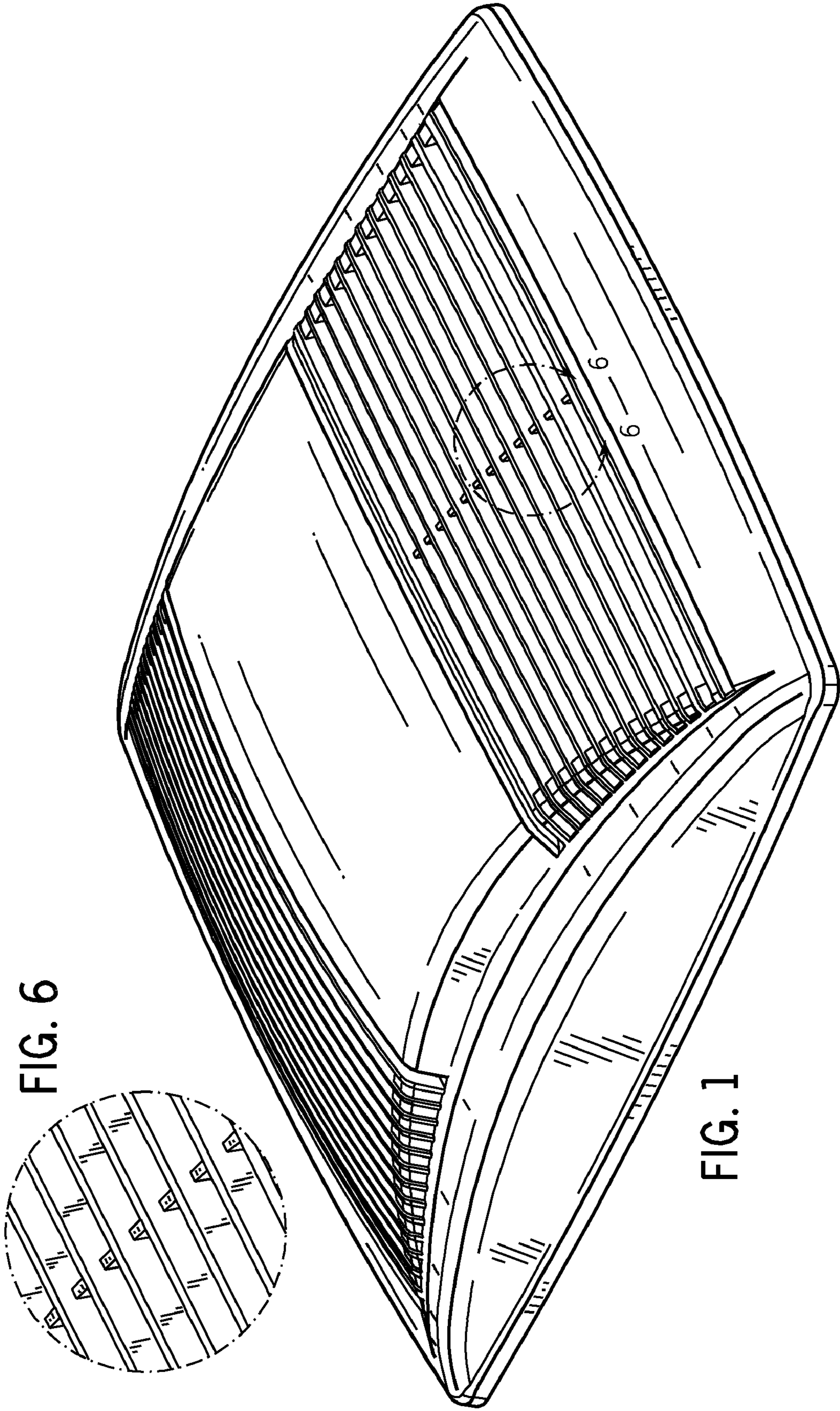


FIG. 6

FIG. 1

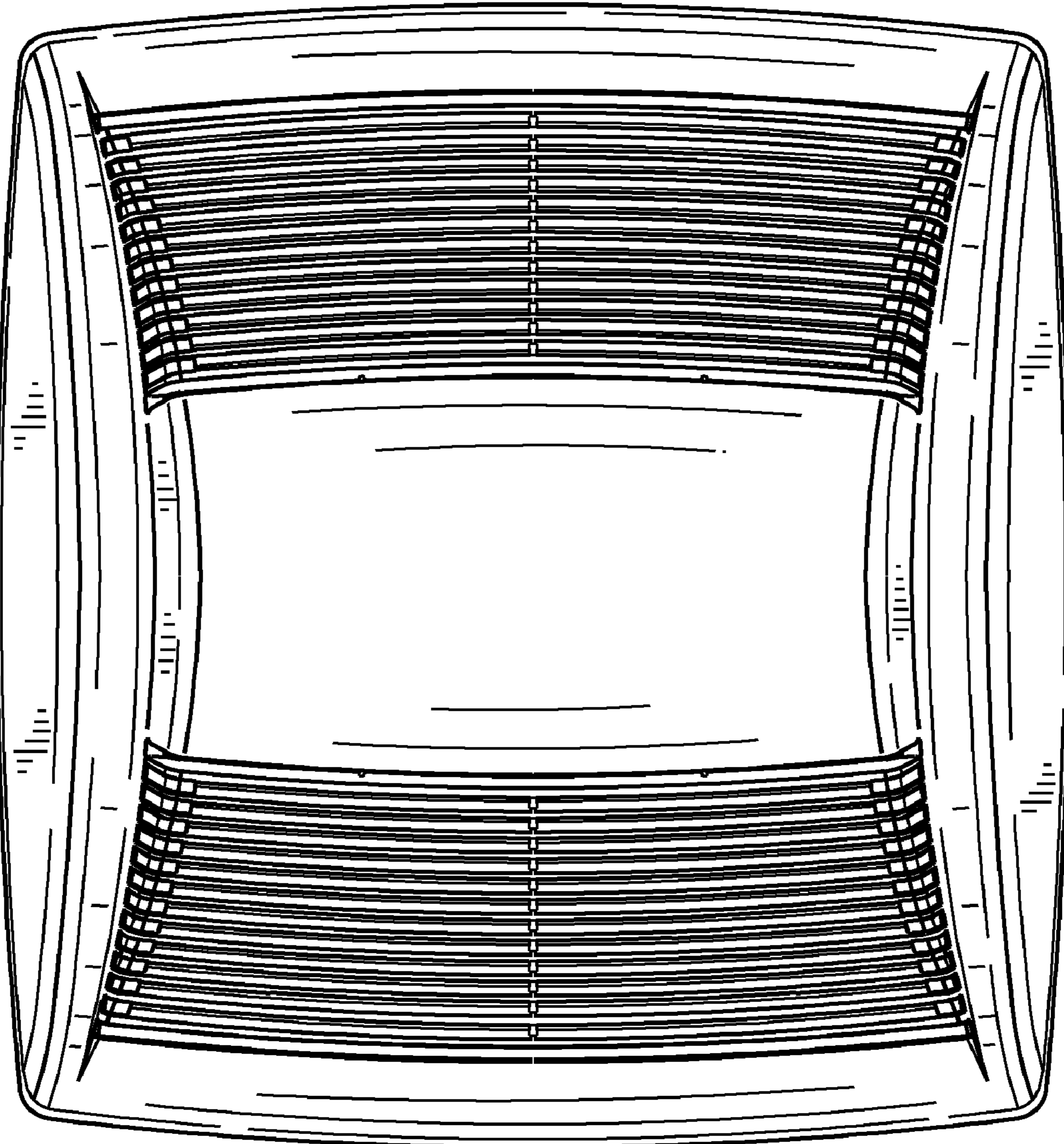


FIG. 2

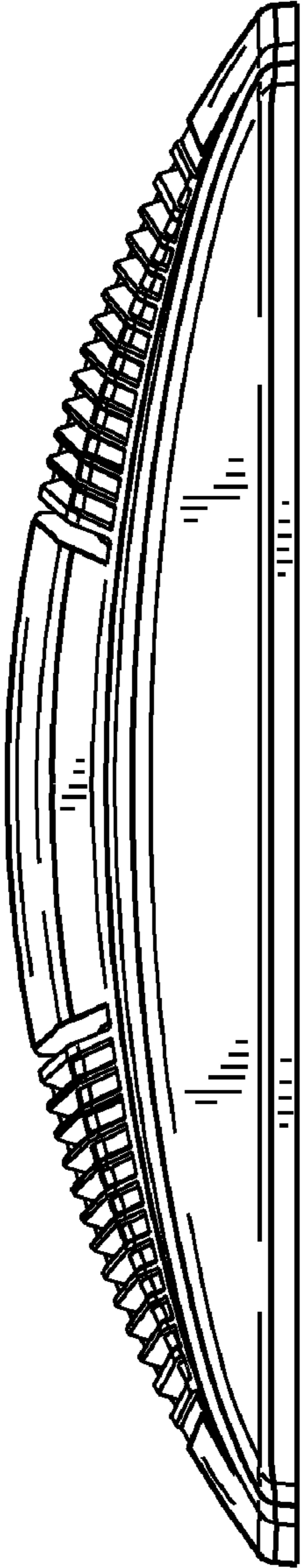


FIG. 3

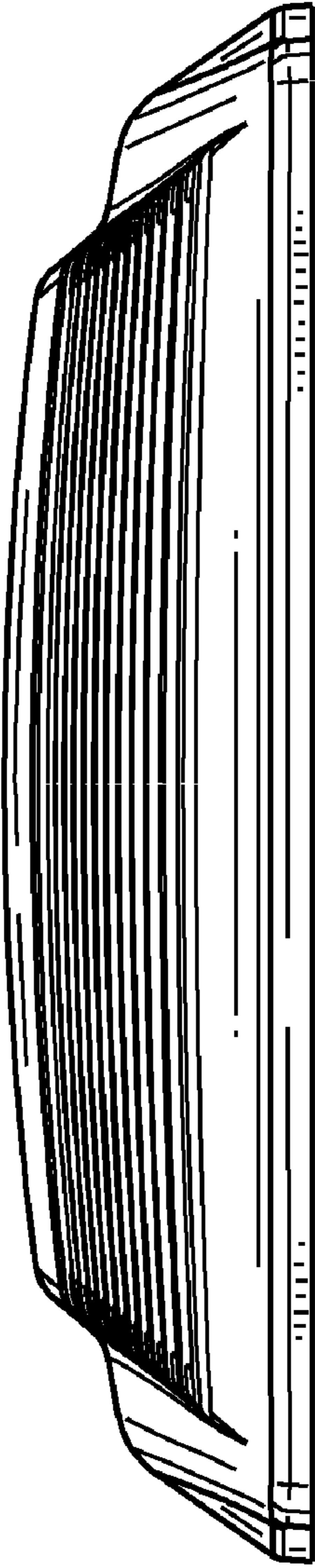


FIG. 4

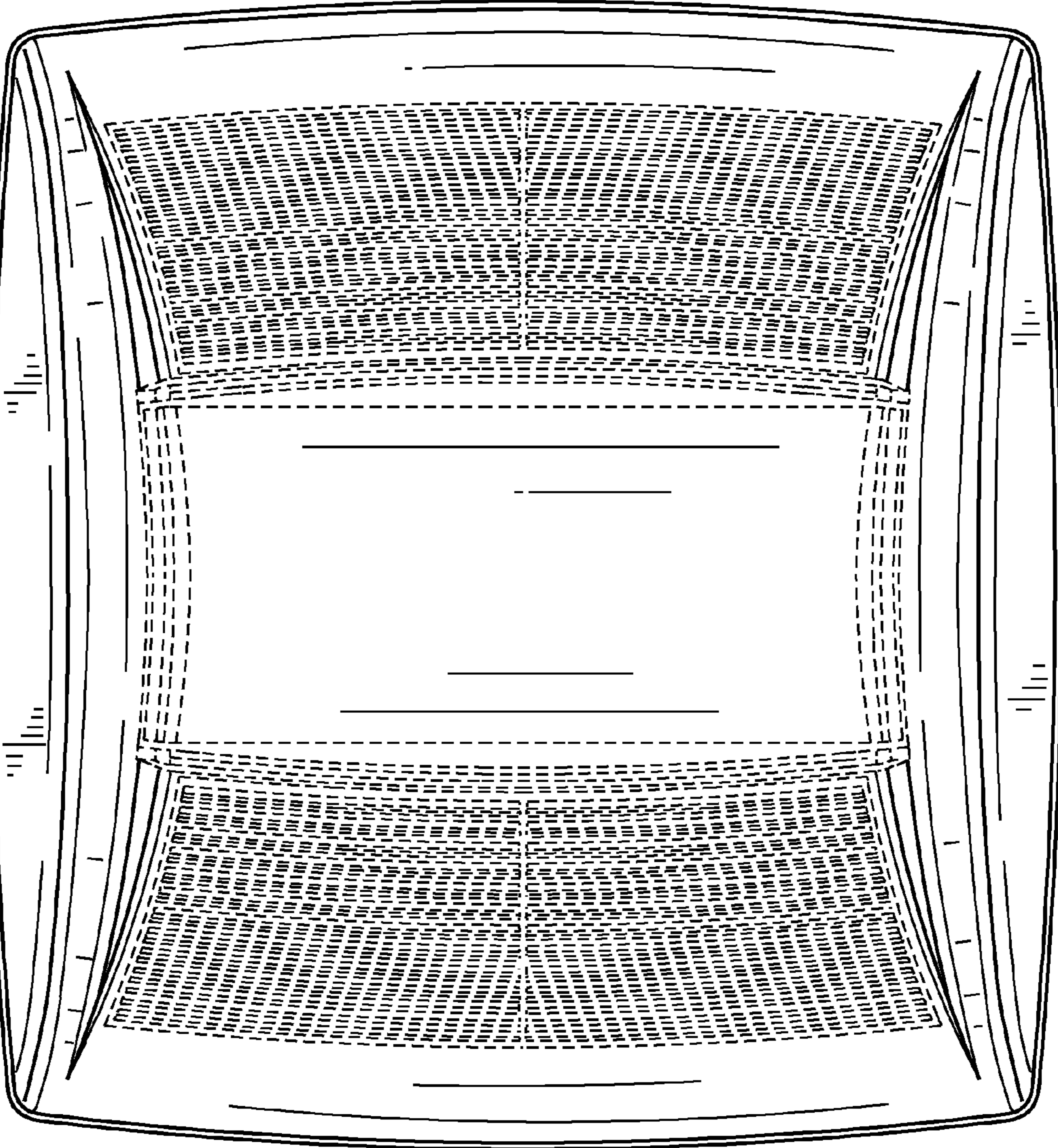


FIG. 5