



US00D655400S

(12) **United States Design Patent**
DeWitt et al.

(10) **Patent No.:** **US D655,400 S**
(45) **Date of Patent:** **** *Mar. 6, 2012**

(54) **URINAL SEAL**

(75) Inventors: **Donald James DeWitt**, Davison, MI (US); **Anthony John Dipzinski**, Grand Blanc, MI (US)

(73) Assignee: **Fernco, Inc.**, Davison, MI (US)

(*) Notice: This patent is subject to a terminal disclaimer.

(**) Term: **14 Years**

(21) Appl. No.: **29/353,294**

(22) Filed: **Jan. 6, 2010**

(51) **LOC (9) Cl.** **23-01**

(52) **U.S. Cl.** **D23/269**

(58) **Field of Classification Search** D23/261, D23/269; 4/252.1, 252.2, 252.3, 252.4, 252.6
See application file for complete search history.

(56) **References Cited**

U.S. PATENT DOCUMENTS

410,848	A *	9/1889	McHugh	277/622
454,922	A *	6/1891	Taylor	285/210
572,575	A *	12/1896	Scott	4/424
1,040,823	A *	10/1912	Watrous	4/252.2
1,149,269	A *	8/1915	Klindt	285/56
1,333,368	A *	3/1920	Auer	4/252.5
2,750,216	A *	6/1956	Thies	4/252.6
2,837,750	A *	6/1958	Robinson	4/252.5
3,037,212	A *	6/1962	Kleinhof	4/252.1
3,224,014	A *	12/1965	Pietrzak	4/252.6
3,319,268	A *	5/1967	Blumenkranz	4/252.4
3,400,411	A *	9/1968	Harvey	4/252.6
3,821,820	A *	7/1974	Thompson	4/252.6
3,967,836	A *	7/1976	Izzi, Sr.	285/12
4,090,267	A *	5/1978	Cuschera	4/252.5
D254,928	S *	5/1980	Mathis	D23/261
D256,499	S *	8/1980	Foreman	D23/269
D269,454	S *	6/1983	Houseman	D25/199
4,423,526	A *	1/1984	Izzi, Sr.	4/252.5
D273,413	S *	4/1984	McMurray	D23/269
4,984,308	A *	1/1991	Handal	4/252.6
5,291,619	A *	3/1994	Adorjan	4/252.6
D363,771	S *	10/1995	Mathers	D23/269

D385,017	S *	10/1997	Daroff	D23/261
5,730,415	A *	3/1998	Gronwick	251/40
5,862,533	A *	1/1999	Johnson et al.	4/252.4
5,890,239	A *	4/1999	Hite	4/252.5
5,996,134	A *	12/1999	Senninger	4/252.4
D435,090	S *	12/2000	Stout, Jr.	D23/269
6,327,717	B1 *	12/2001	Johnson et al.	4/252.4
D454,177	S *	3/2002	Tracy	D23/261
6,394,505	B1 *	5/2002	Schmucki et al.	285/148.26

(Continued)

Primary Examiner — T. Chase Nelson

Assistant Examiner — Eric Goodman

(74) *Attorney, Agent, or Firm* — Dickinson Wright PLLC

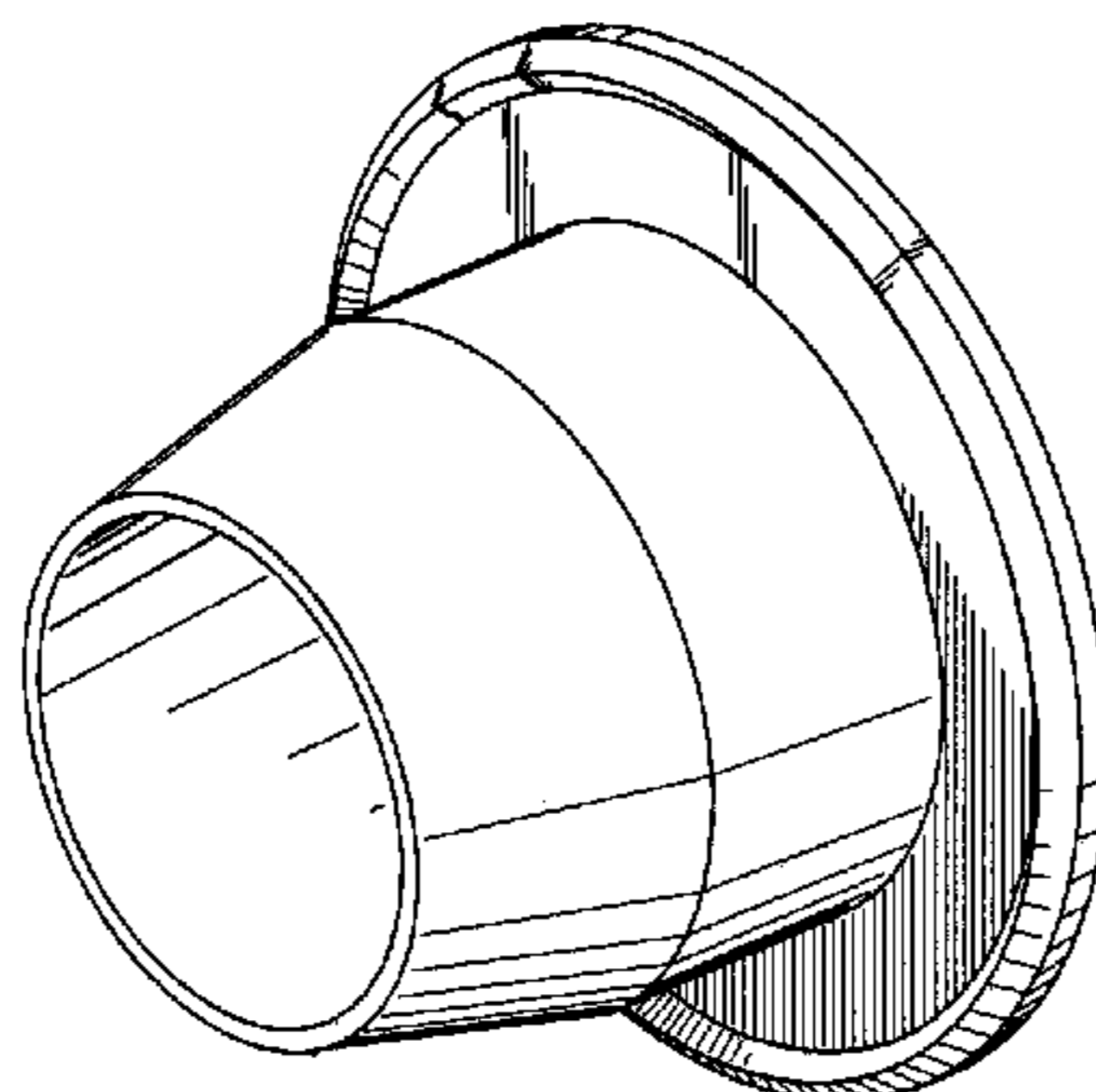
(57) **CLAIM**

The ornamental design for a urinal seal, as shown and described.

DESCRIPTION

FIG. 1 is a rear perspective view of a urinal seal;
 FIG. 2 is a side view thereof;
 FIG. 3 is a top view thereof;
 FIG. 4 is a bottom view thereof;
 FIG. 5 is a cross section view along Line 5-5 as shown in FIG. 2 thereof.
 FIG. 6 is a rear perspective view of a urinal seal;
 FIG. 7 is a side view thereof;
 FIG. 8 is a top view thereof;
 FIG. 9 is a bottom view thereof;
 FIG. 10 is a cross section view along Line 10-10 as shown in FIG. 7 thereof;
 FIG. 11 is a rear perspective view of a urinal seal;
 FIG. 12 is a side view thereof;
 FIG. 13 is a top view thereof;
 FIG. 14 is a rear view thereof;
 FIG. 15 is a cross section view along Line 15-15 as shown in FIG. 12 thereof;
 FIG. 16 is a rear perspective of a urinal seal;
 FIG. 17 is a side view thereof;
 FIG. 18 is a top view thereof;
 FIG. 19 is a rear view thereof; and,
 FIG. 20 is a cross section view along Line 20-20 as shown in FIG. 17 thereof.

1 Claim, 4 Drawing Sheets



US D655,400 S

Page 2

U.S. PATENT DOCUMENTS

D465,061	S *	10/2002	Guthrie	D26/138	2004/0098798	A1 *	5/2004	Atkins et al.	4/252.6
6,691,331	B2 *	2/2004	Gallacher et al.	4/252.5	2004/0163165	A1 *	8/2004	Ortiz et al.	4/252.5
7,240,378	B2 *	7/2007	Long et al.	4/252.1	2005/0060795	A1 *	3/2005	Long et al.	4/252.4
2003/0126676	A1 *	7/2003	Gallacher et al.	4/252.5	2005/0283889	A1 *	12/2005	Flushing	4/252.1

* cited by examiner

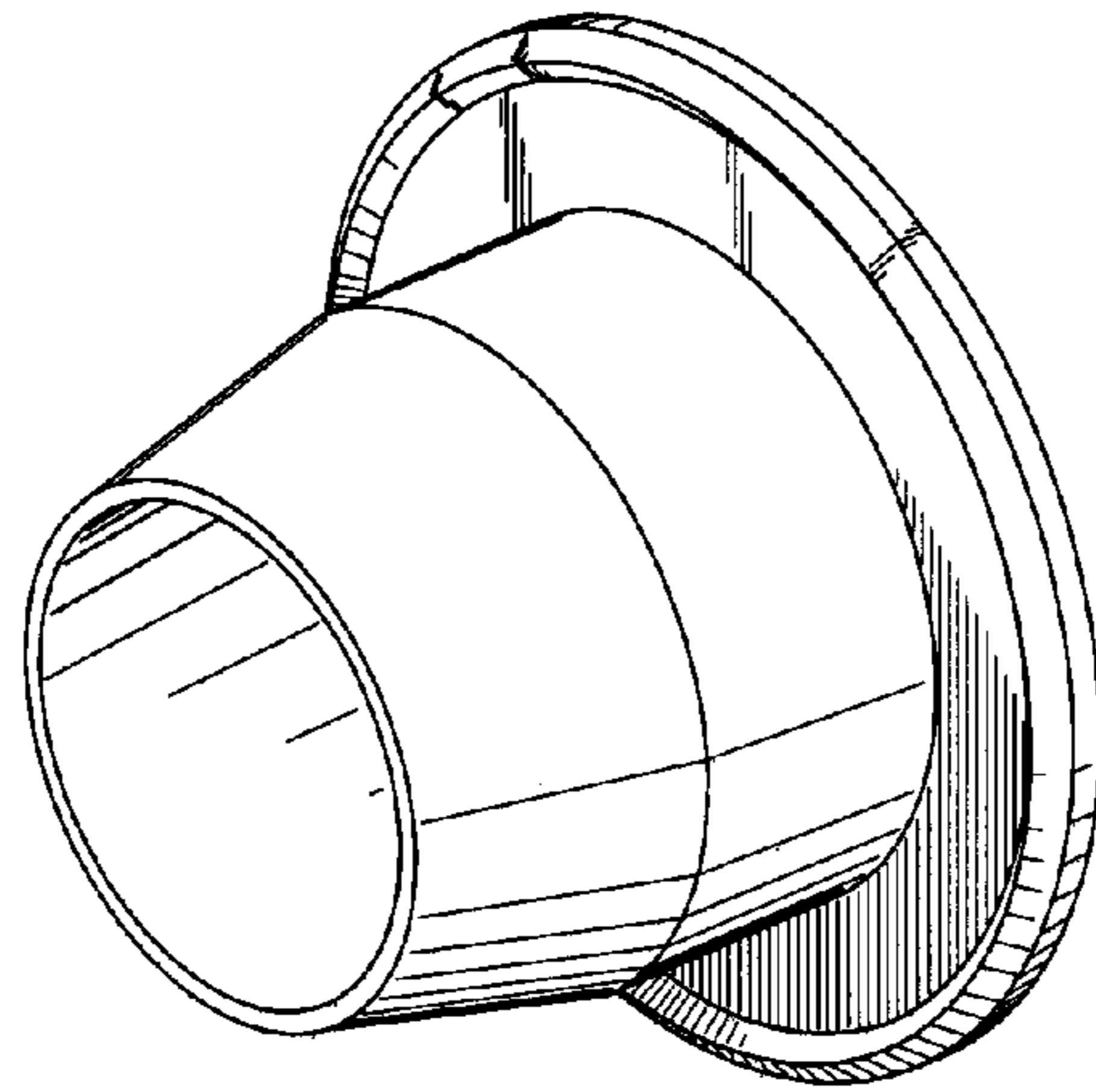


Fig. 1

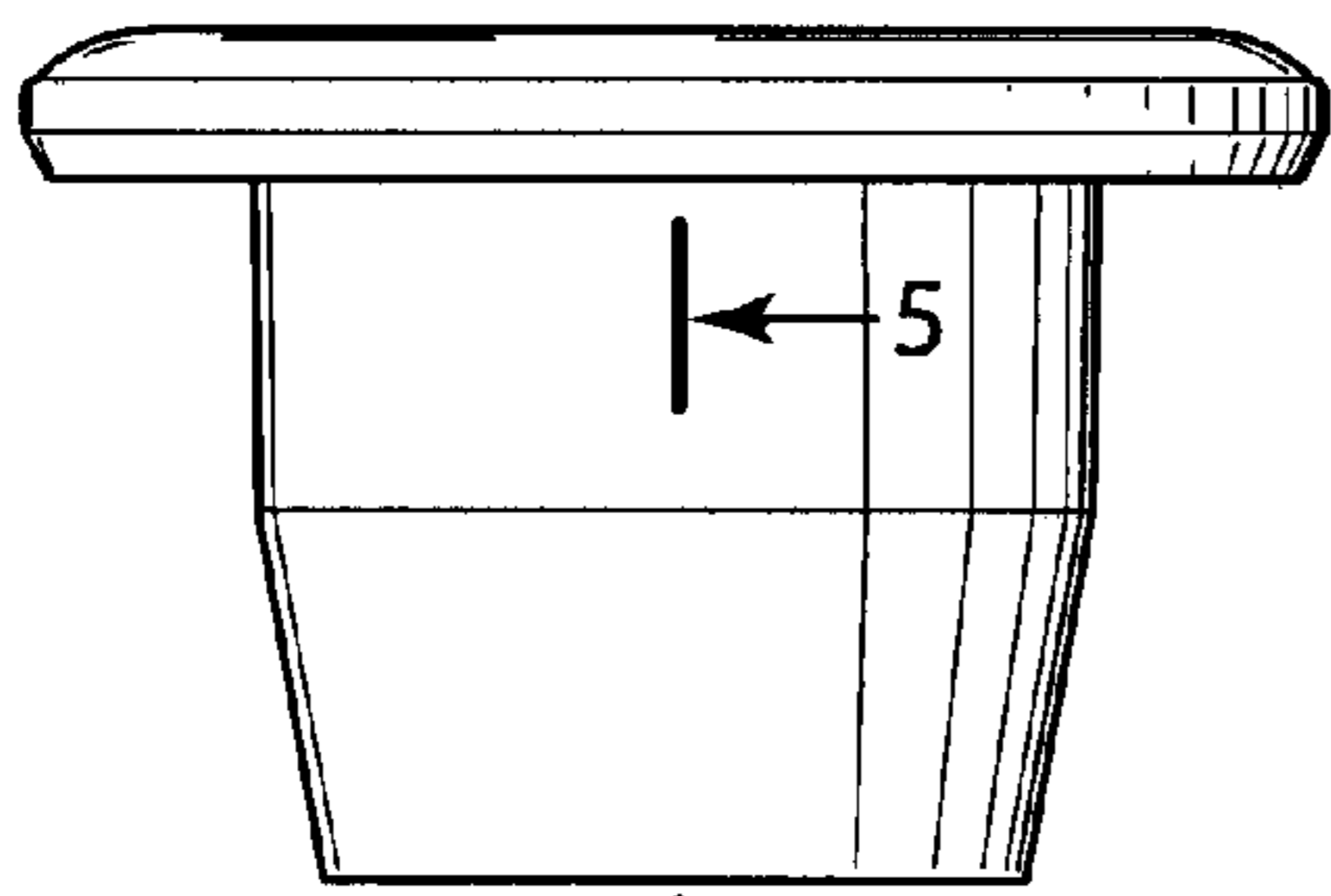


Fig. 2

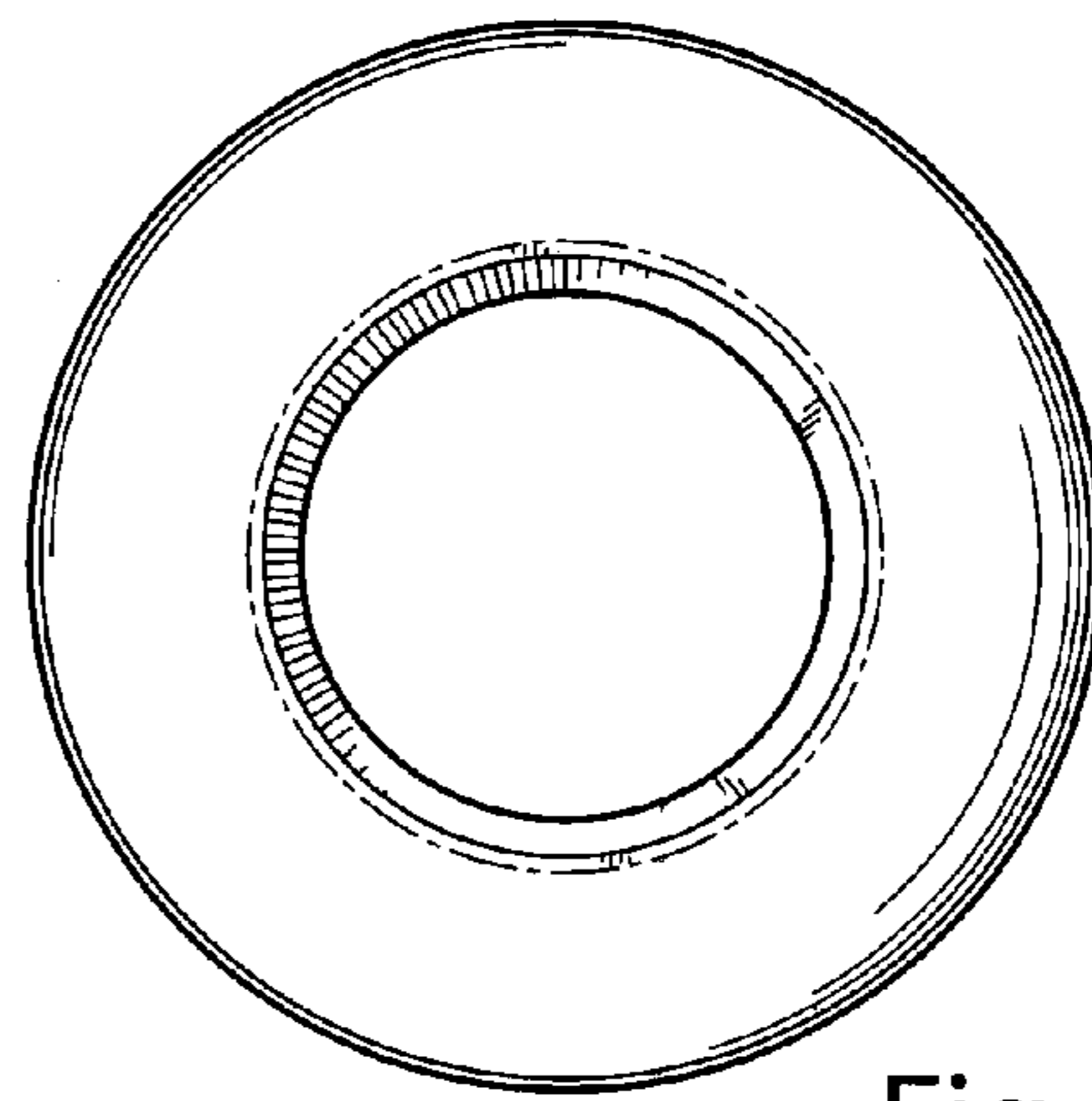


Fig. 3

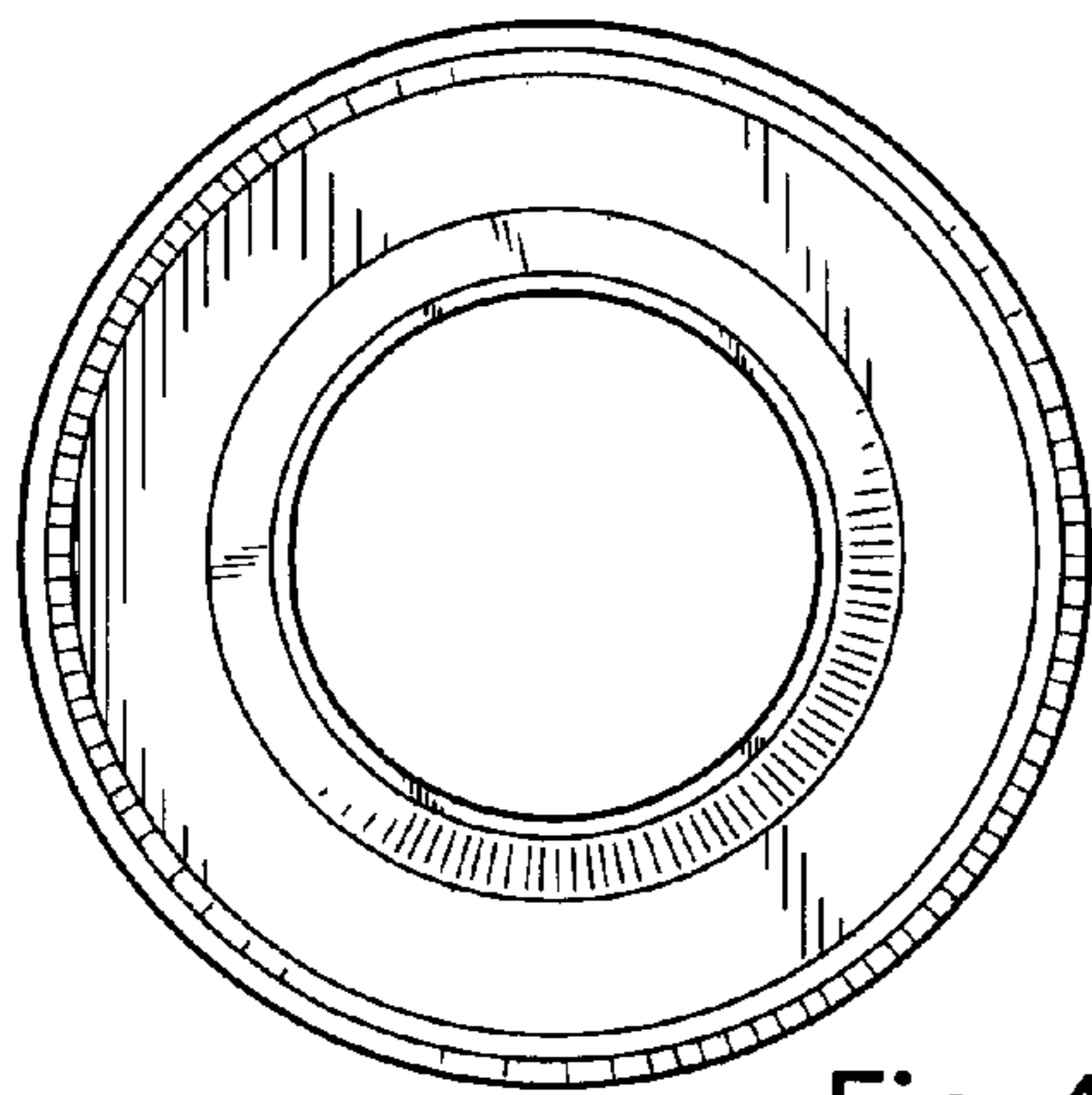


Fig. 4

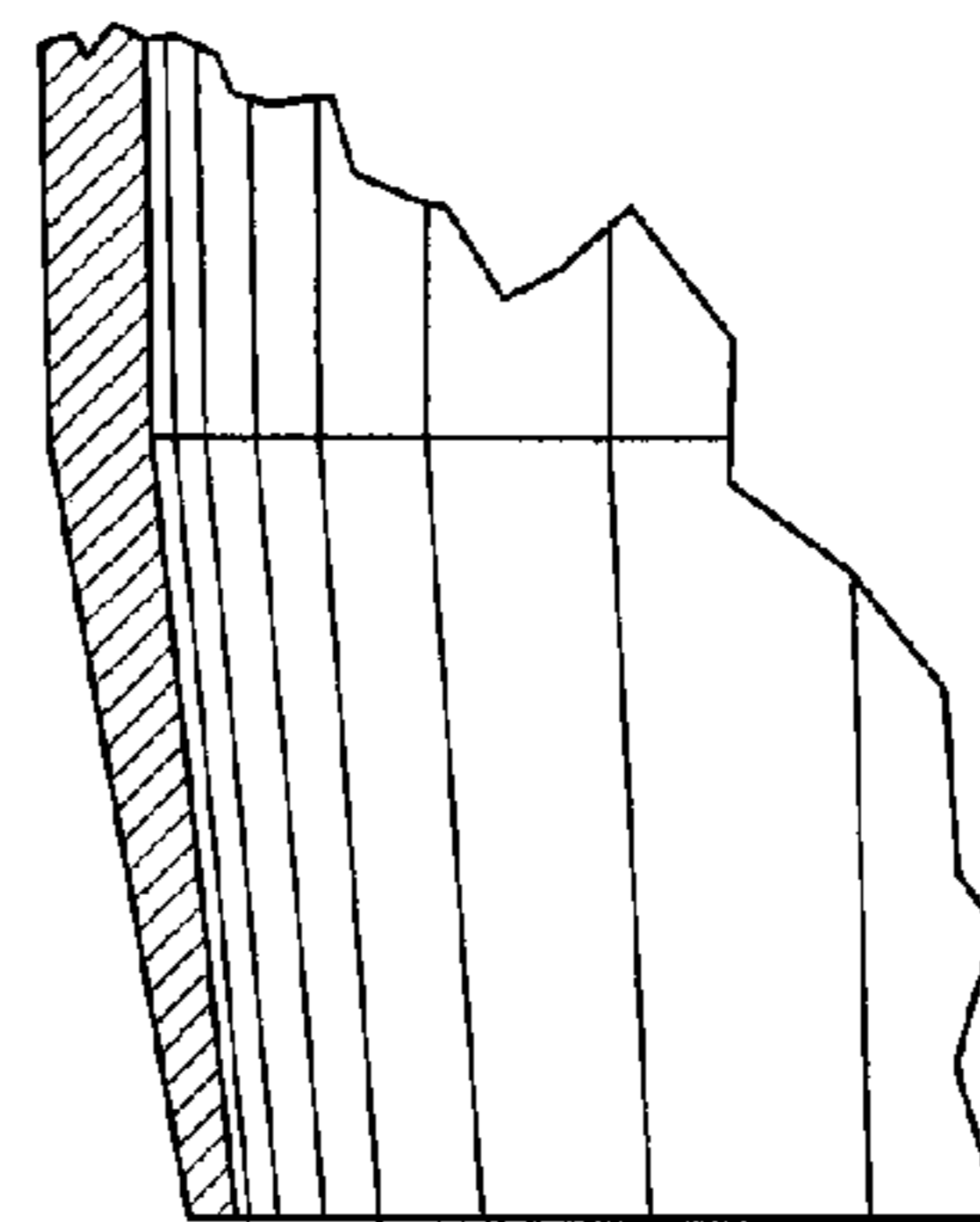


Fig. 5

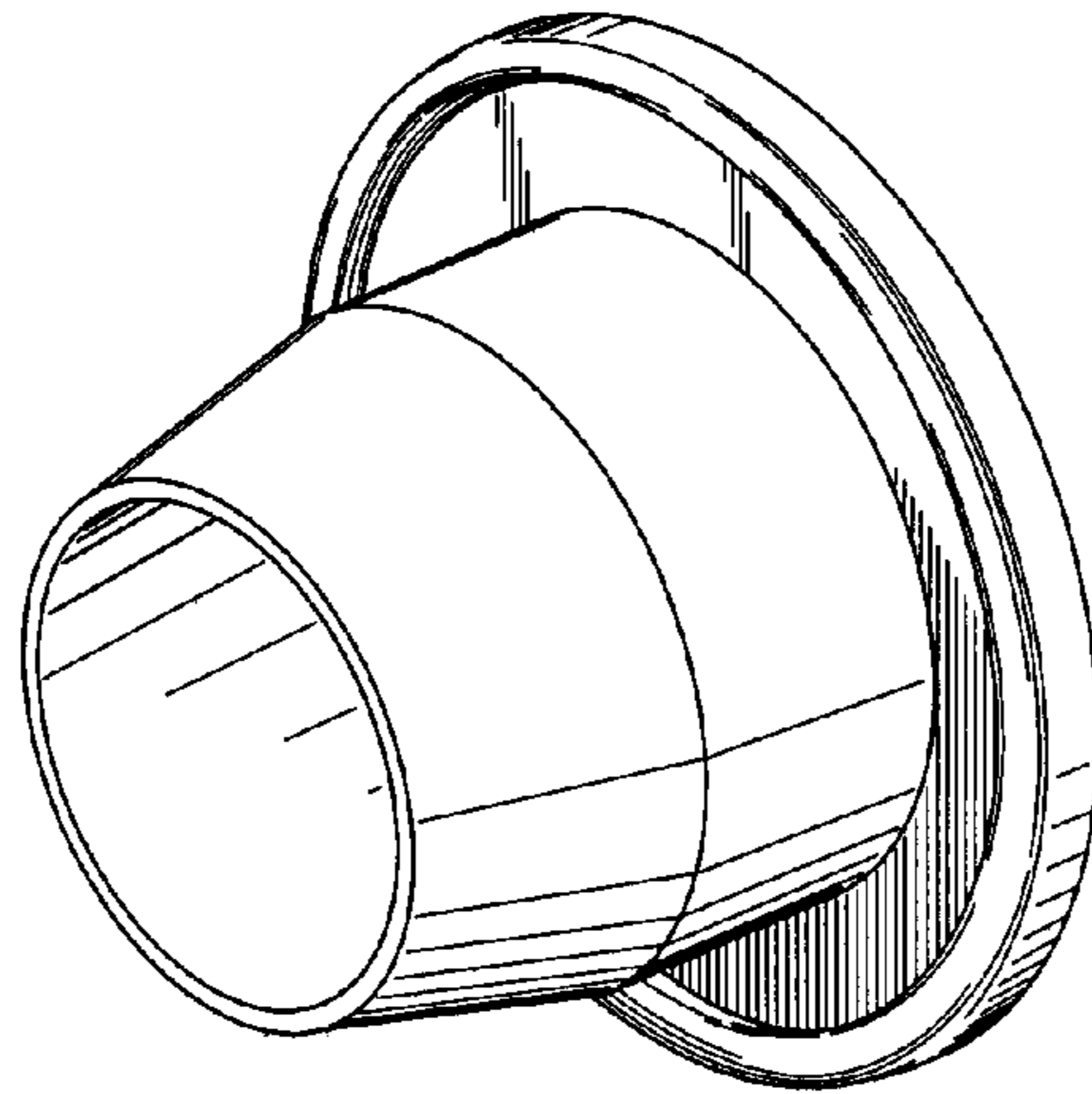


Fig. 6

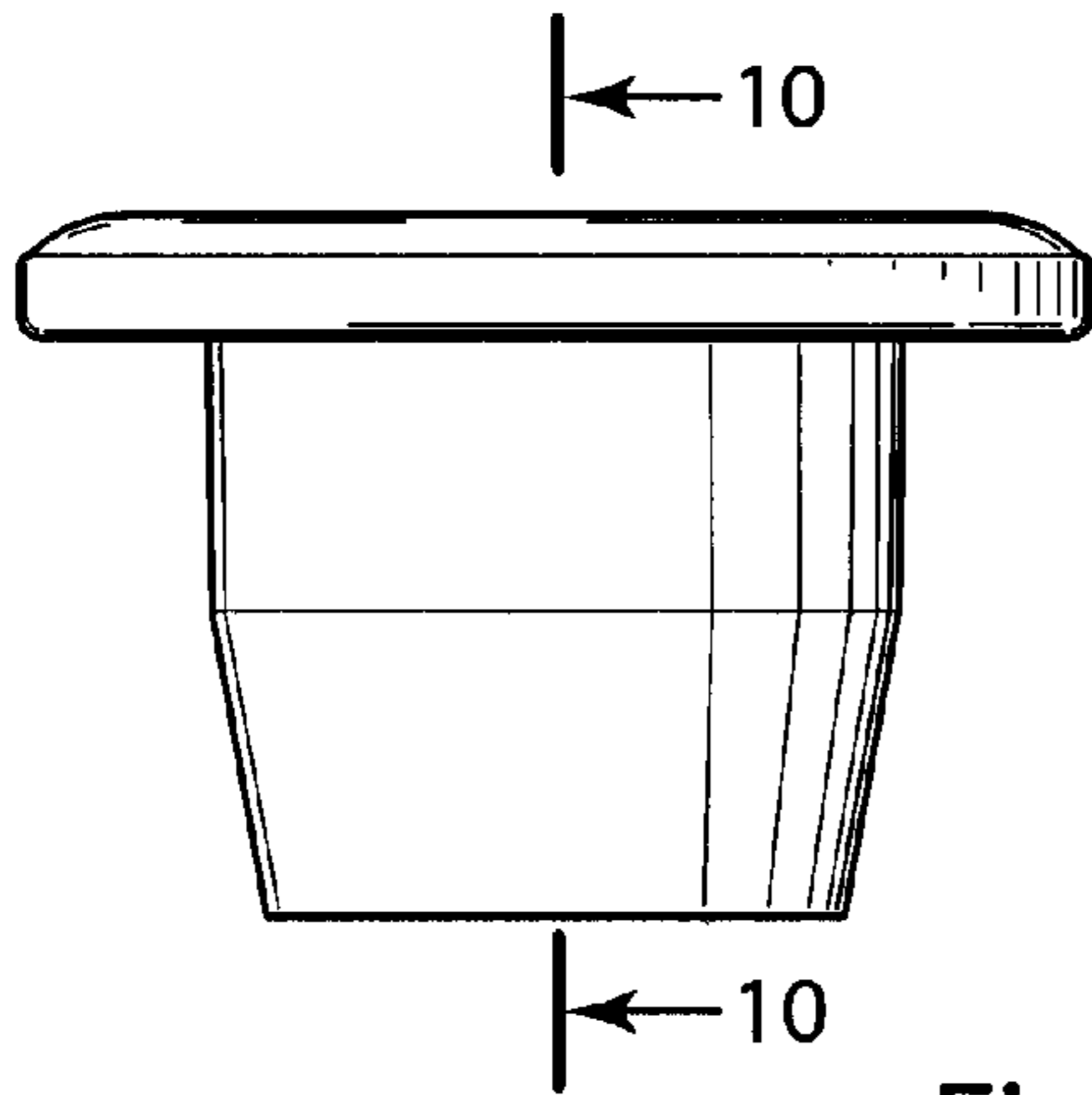


Fig. 7

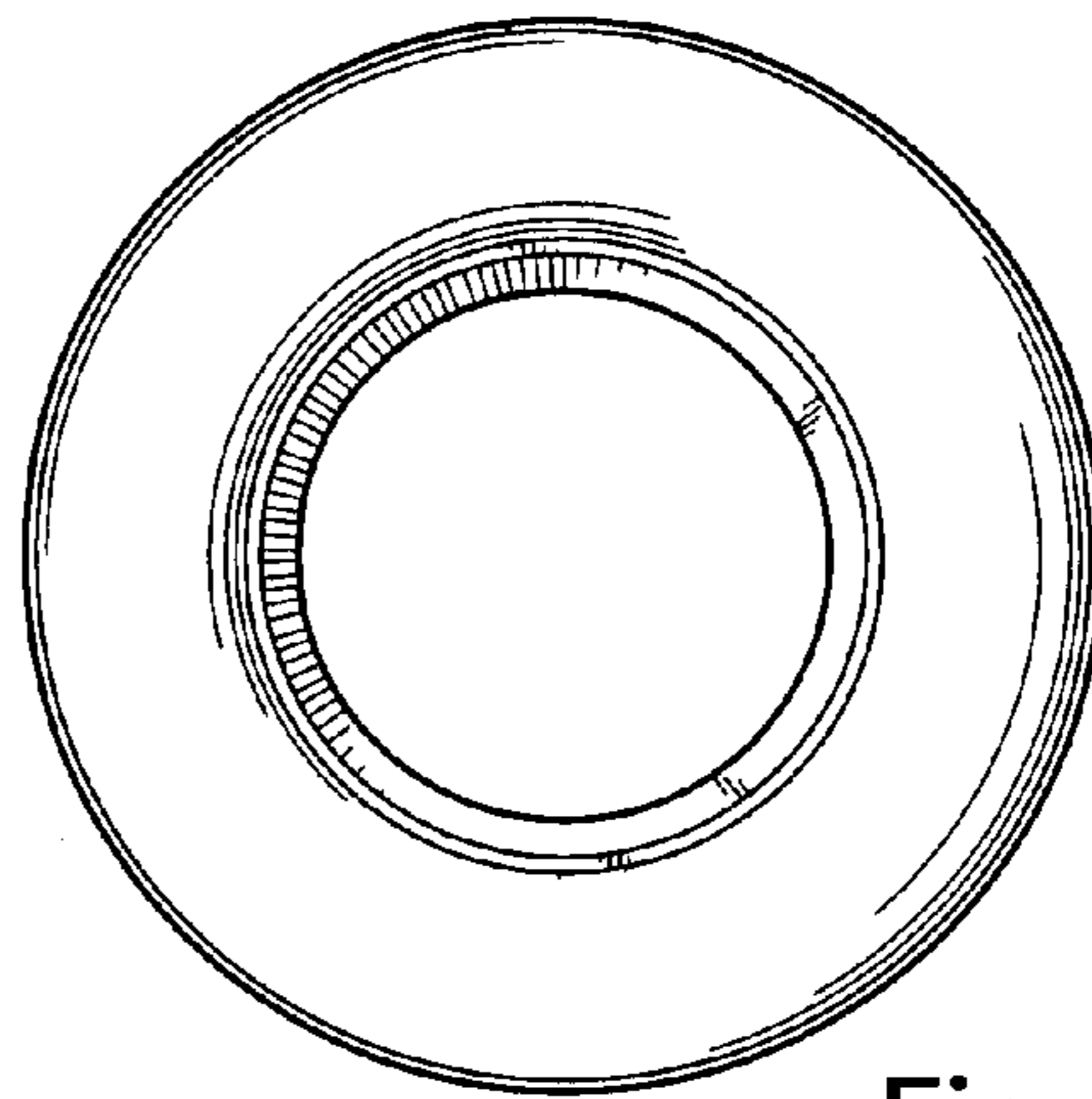


Fig. 8

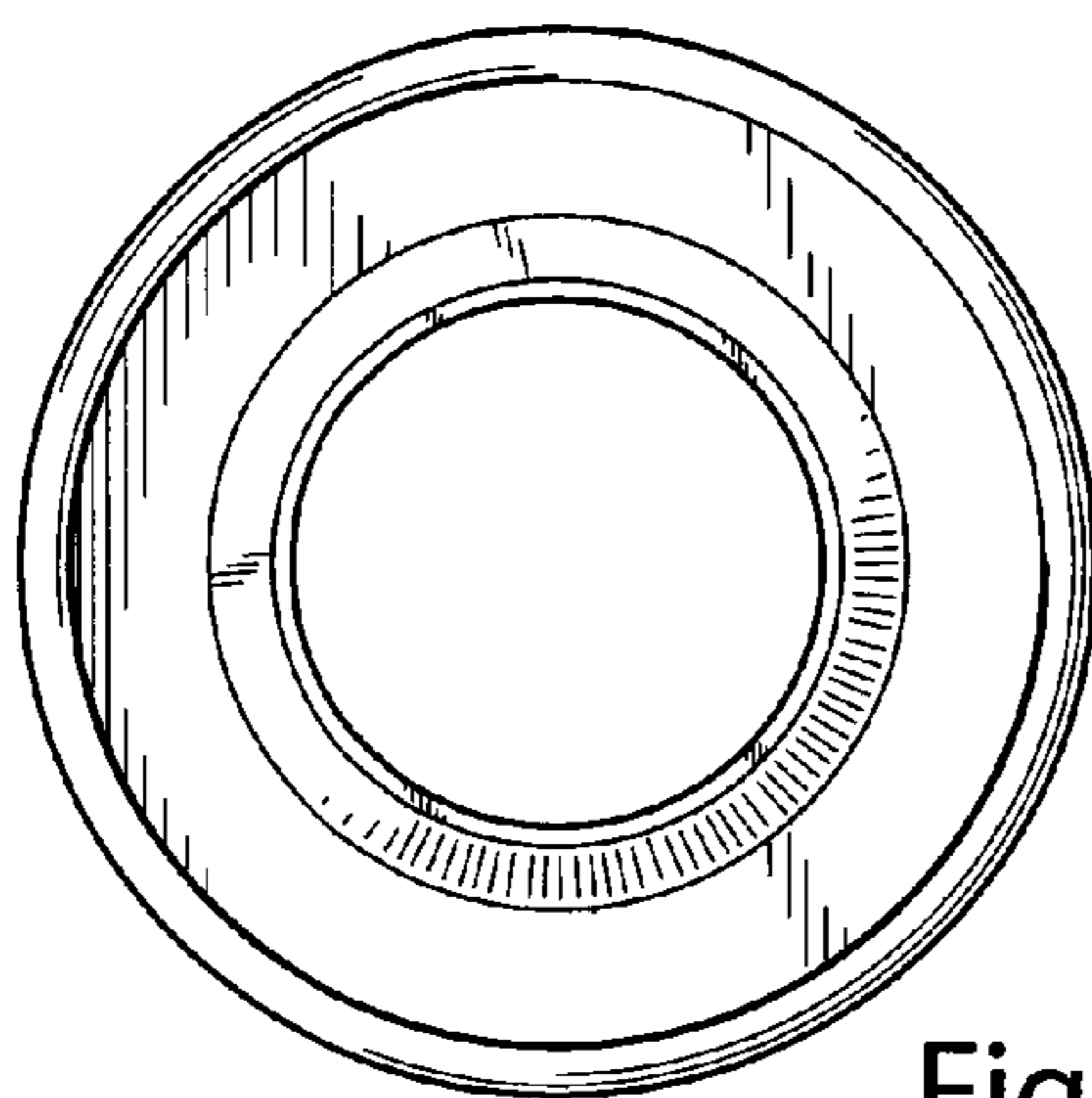


Fig. 9

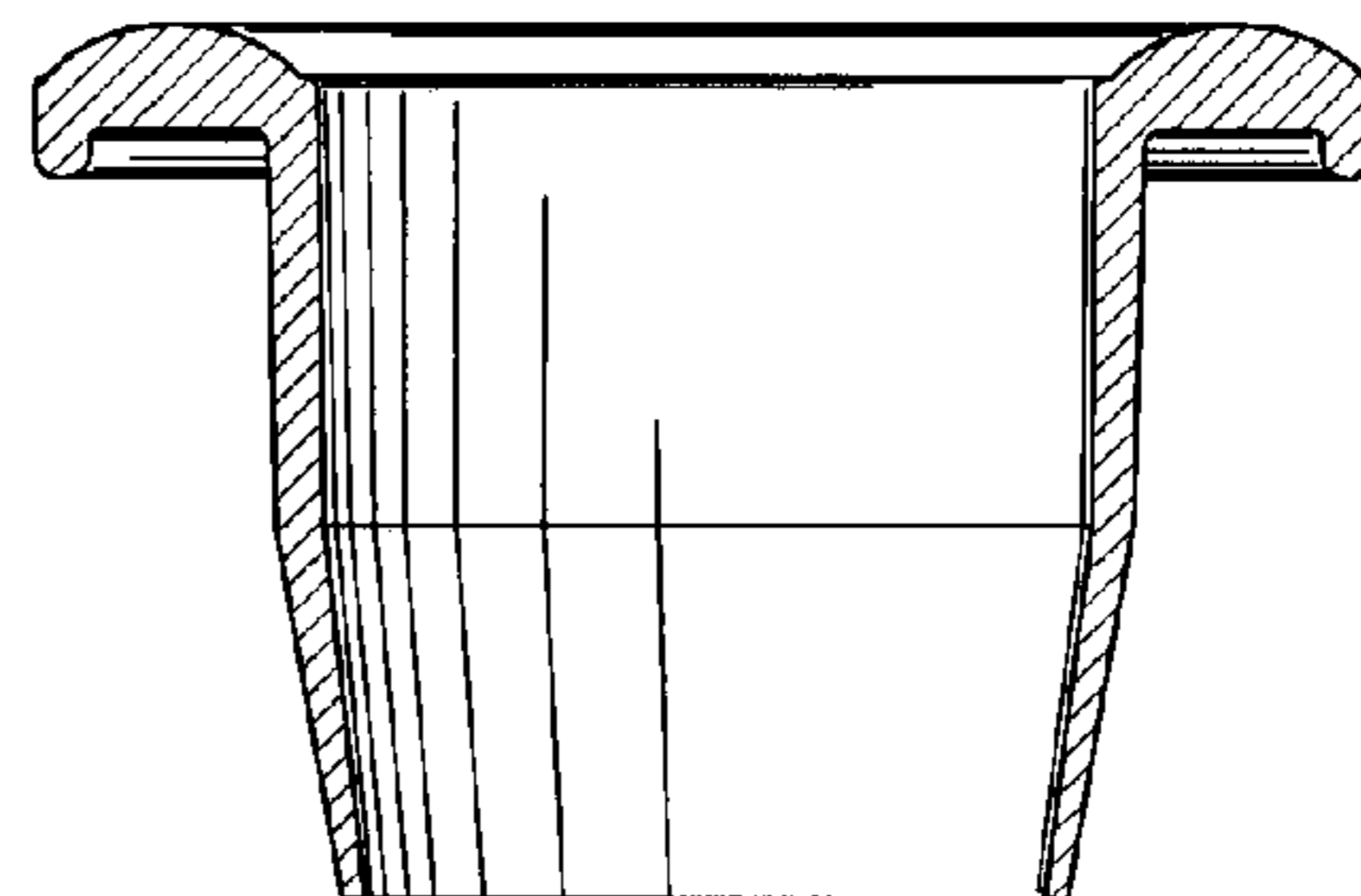


Fig. 10

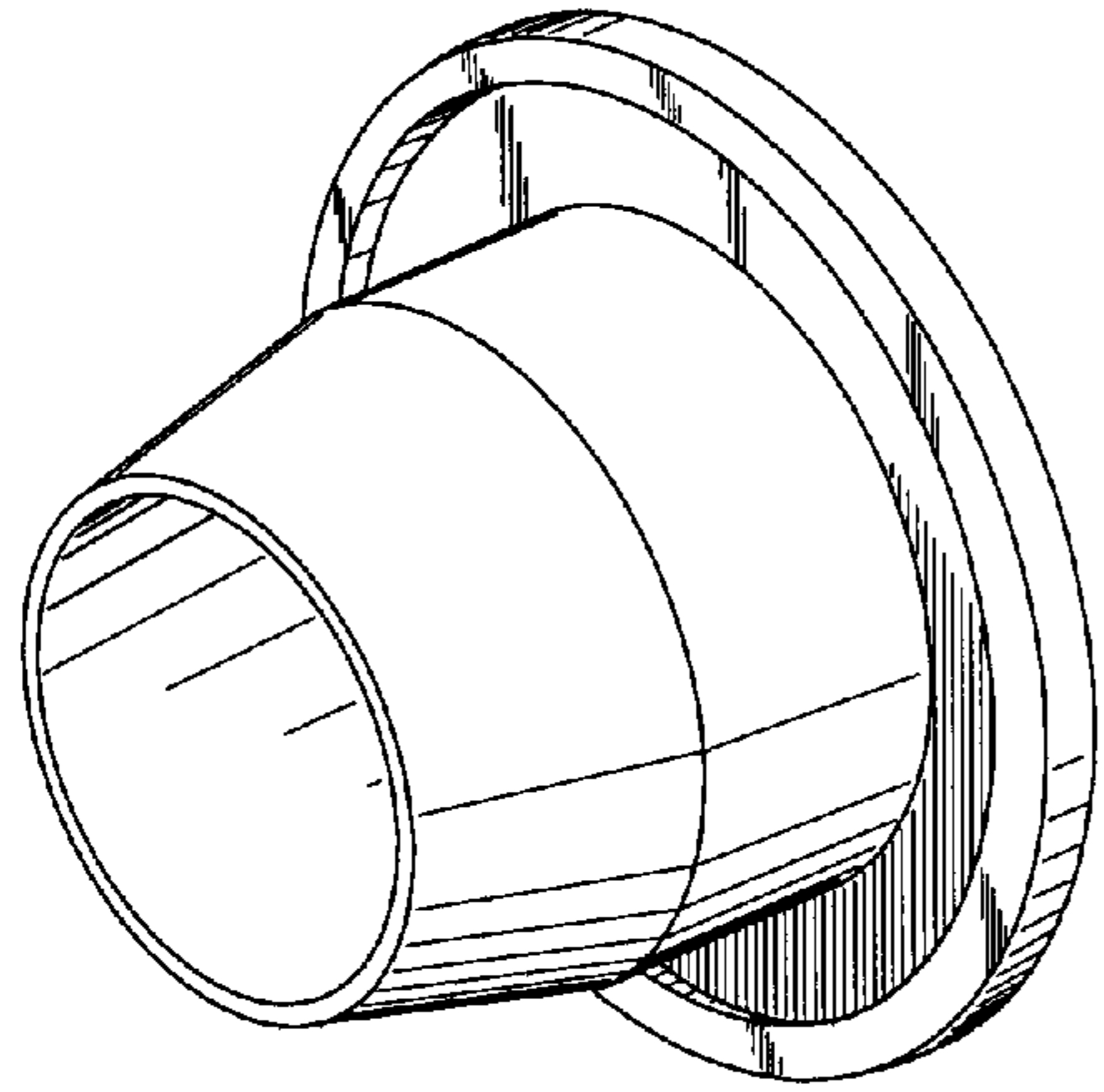


Fig. 11

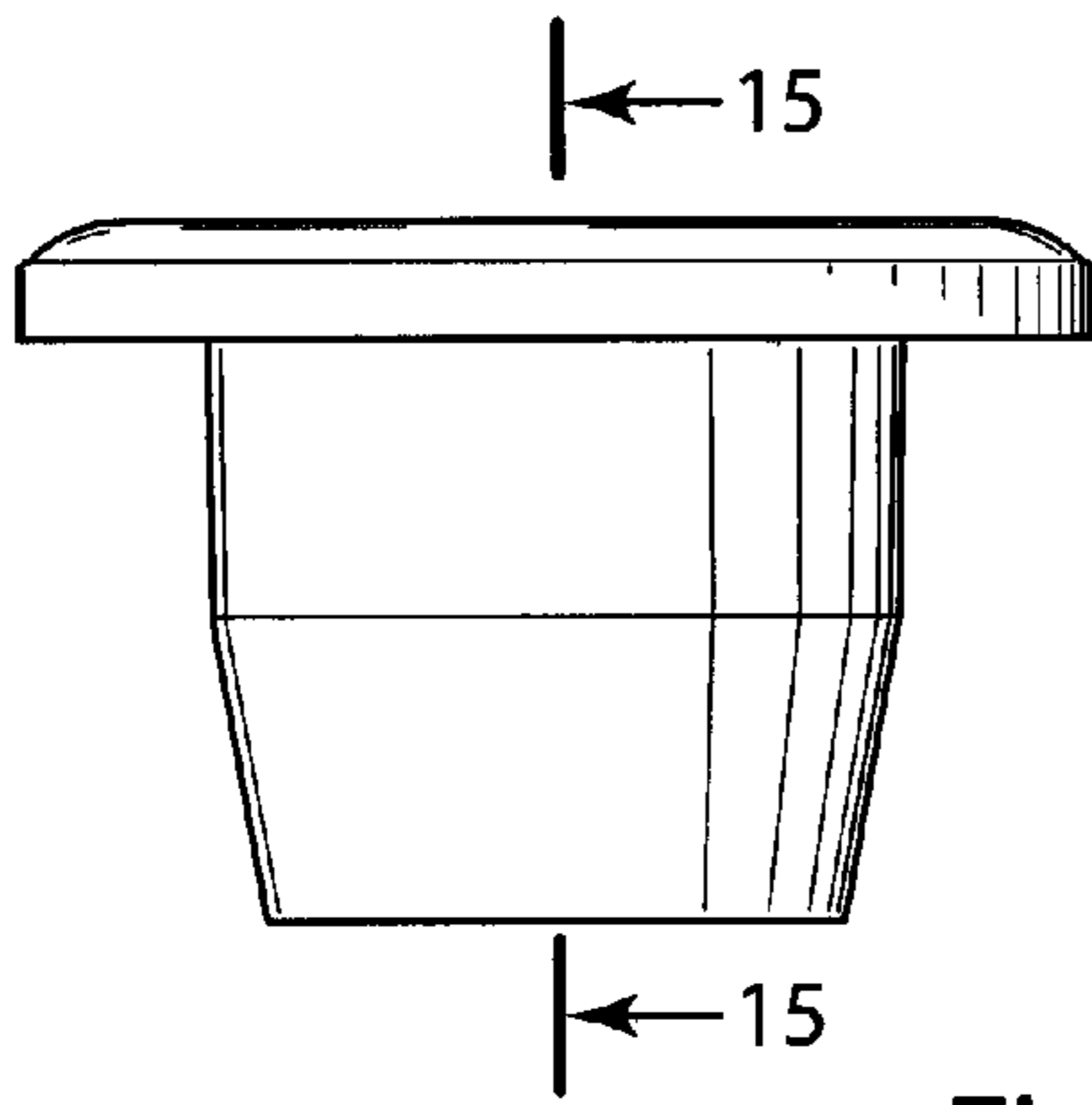


Fig. 12

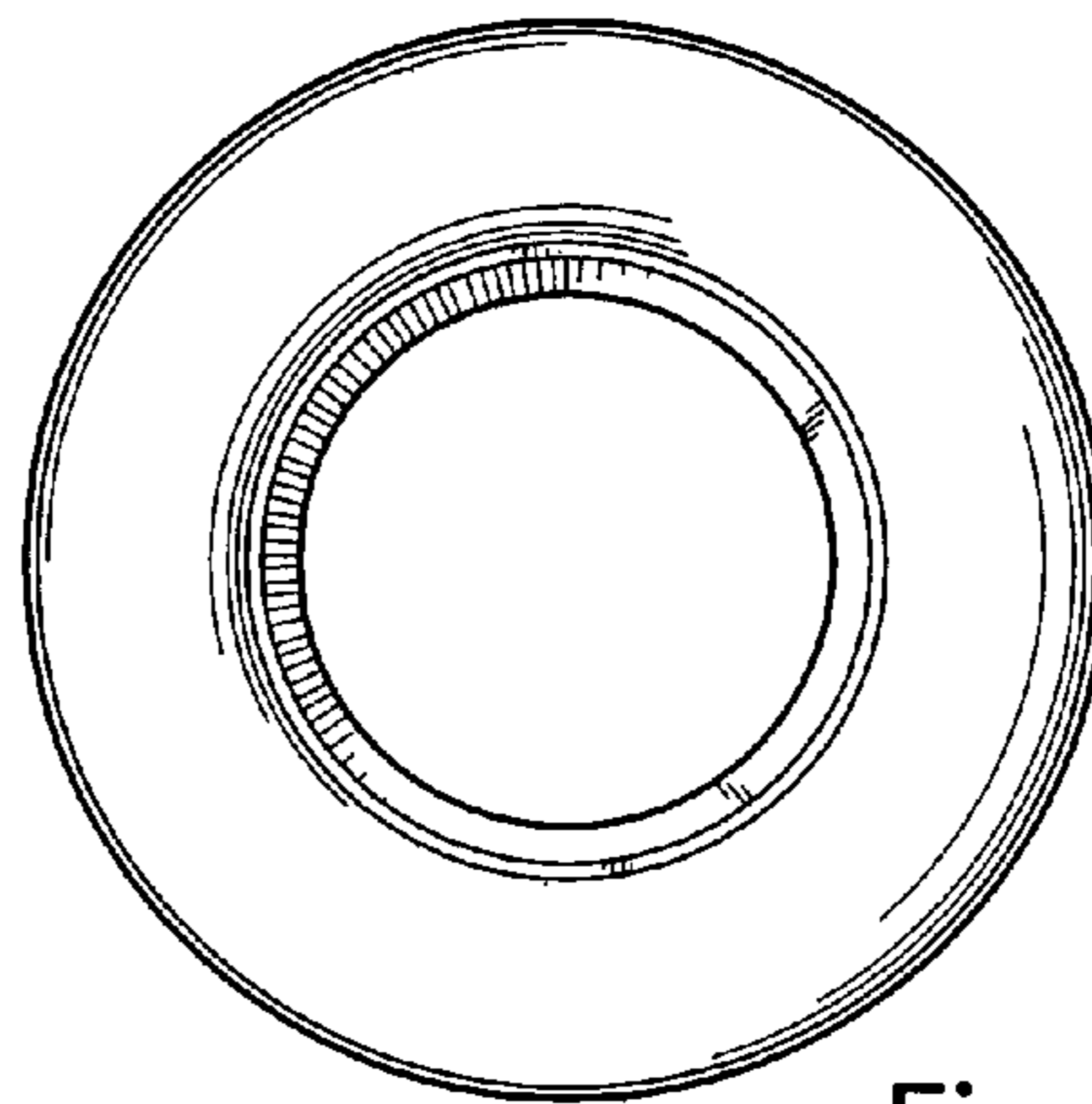


Fig. 13

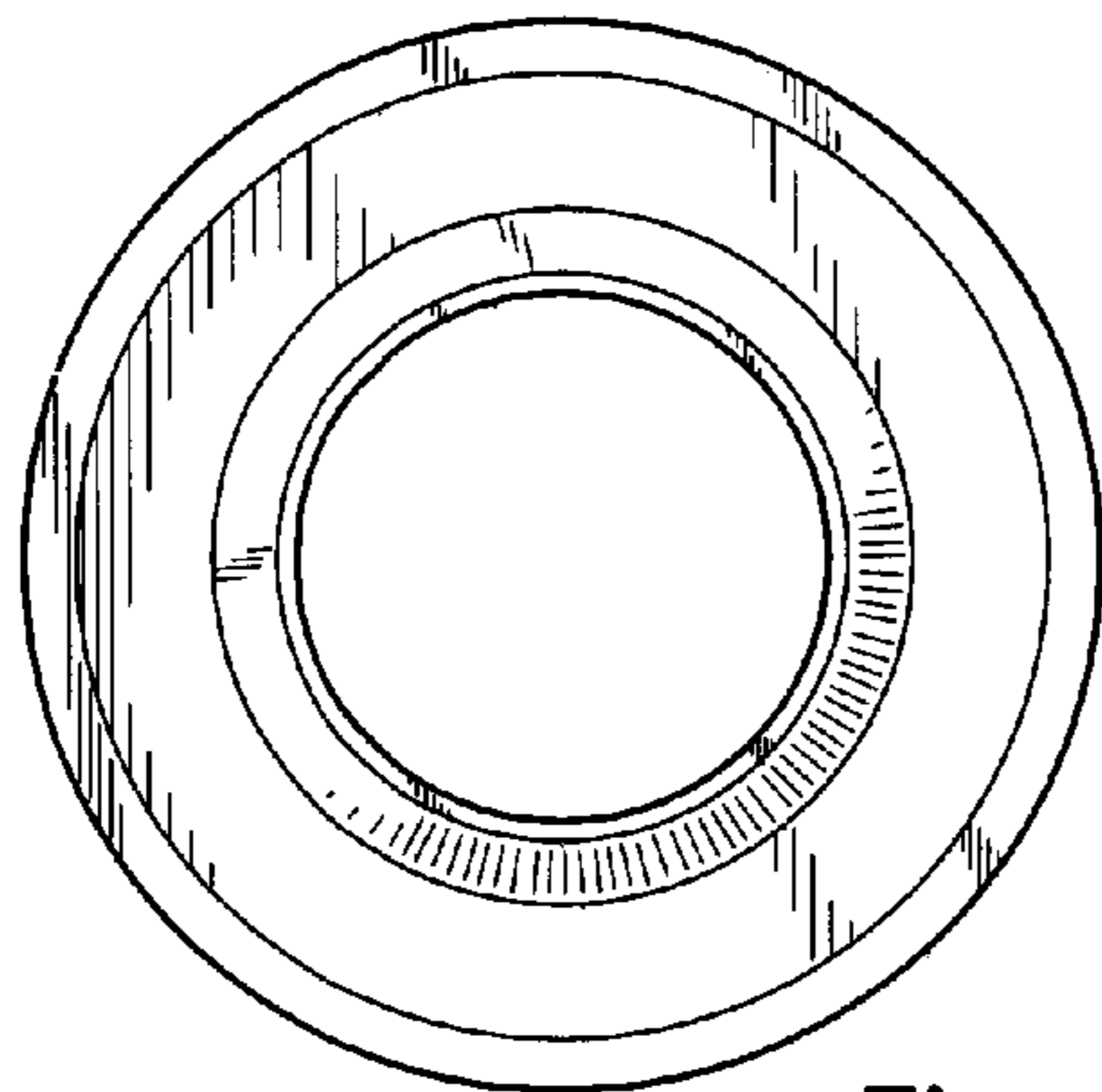


Fig. 14

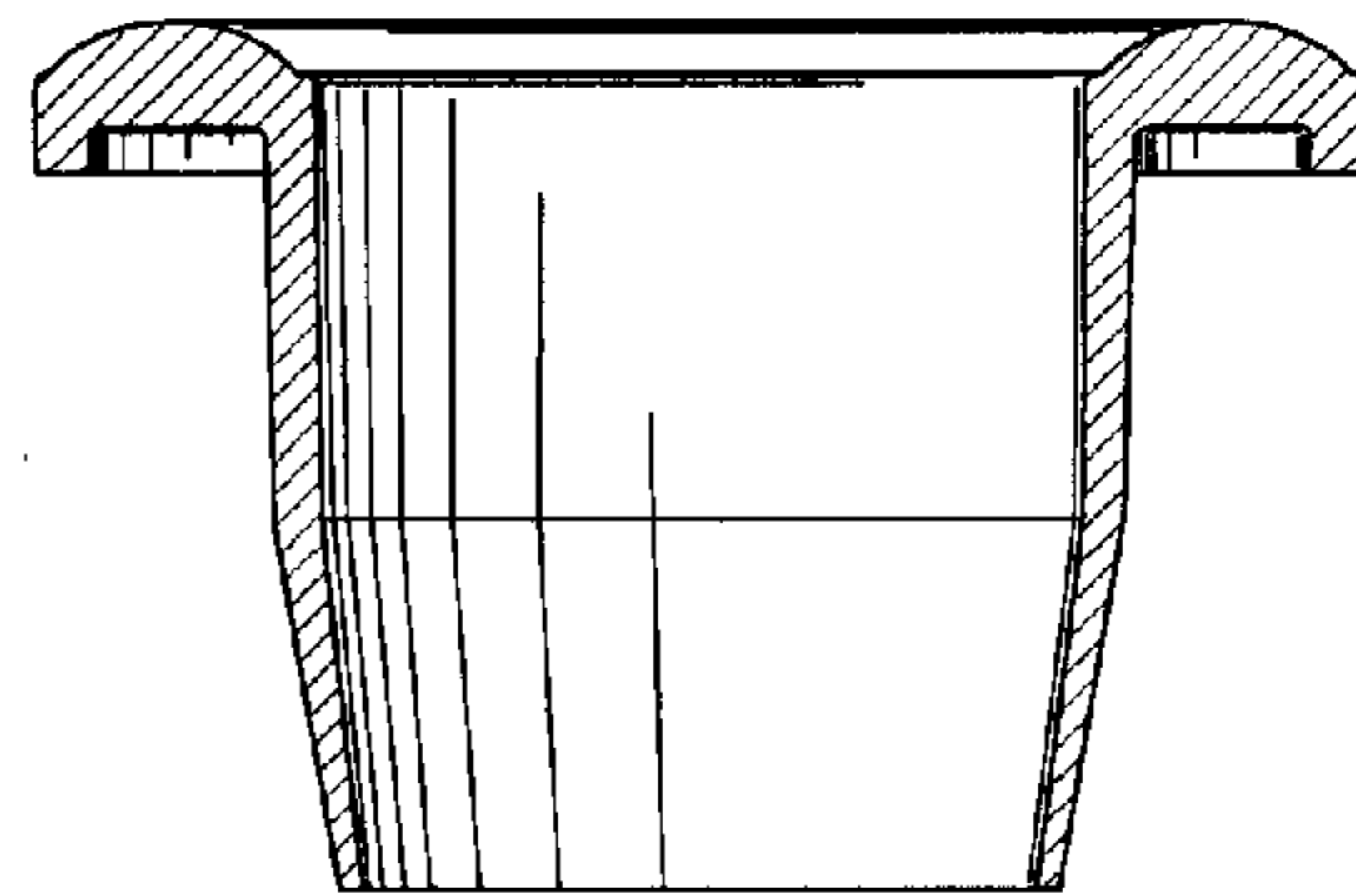


Fig. 15

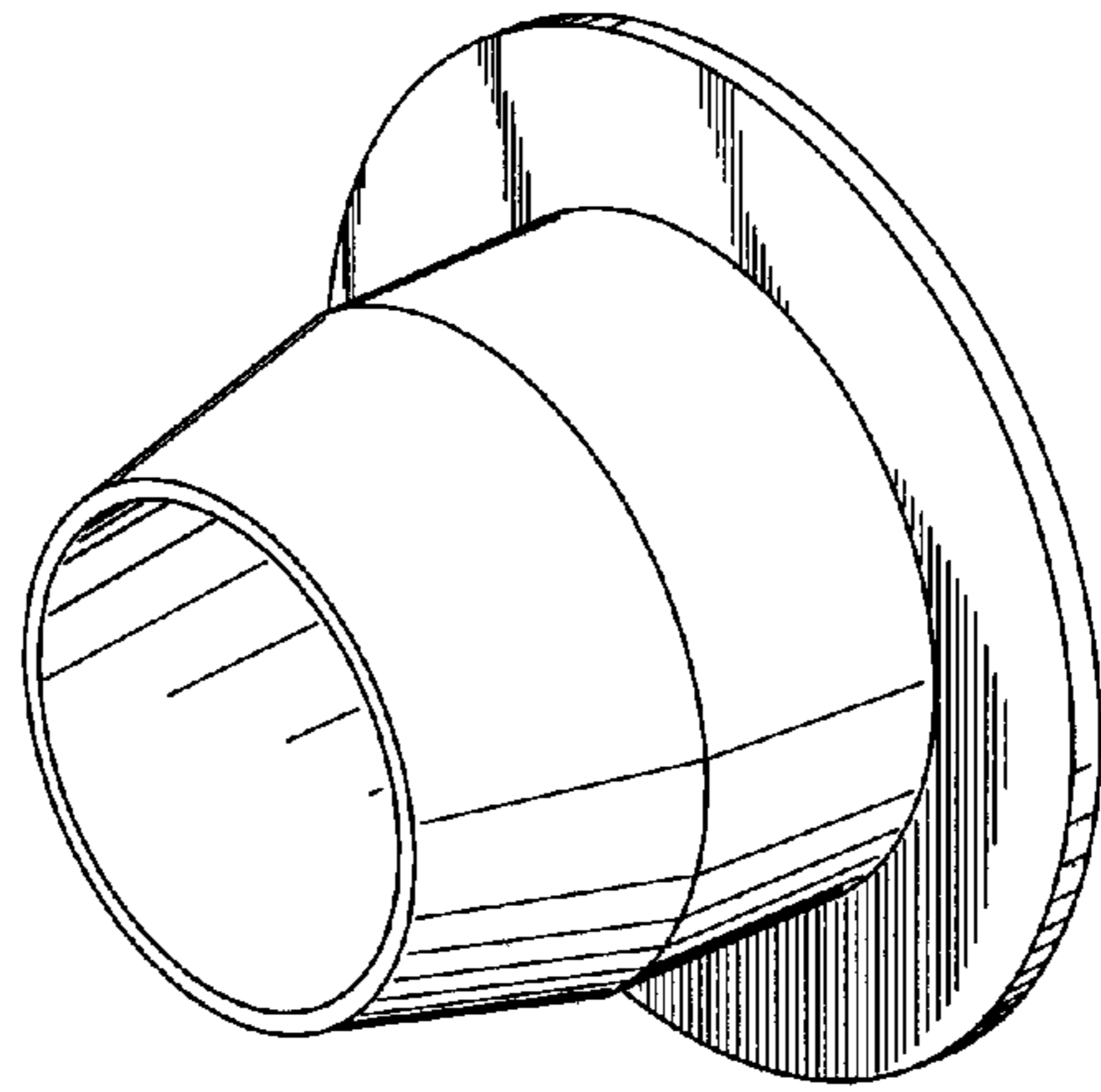


Fig. 16

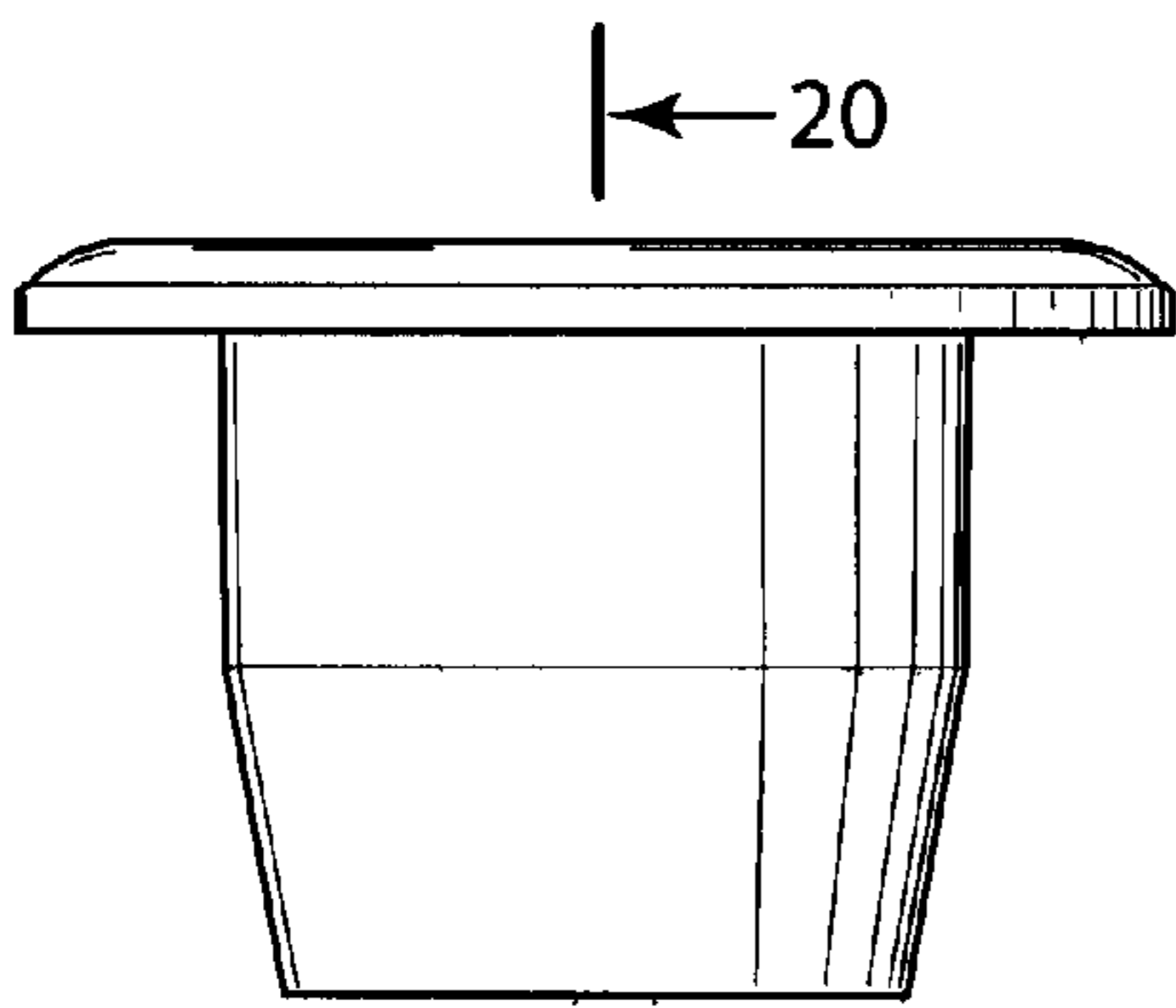


Fig. 17

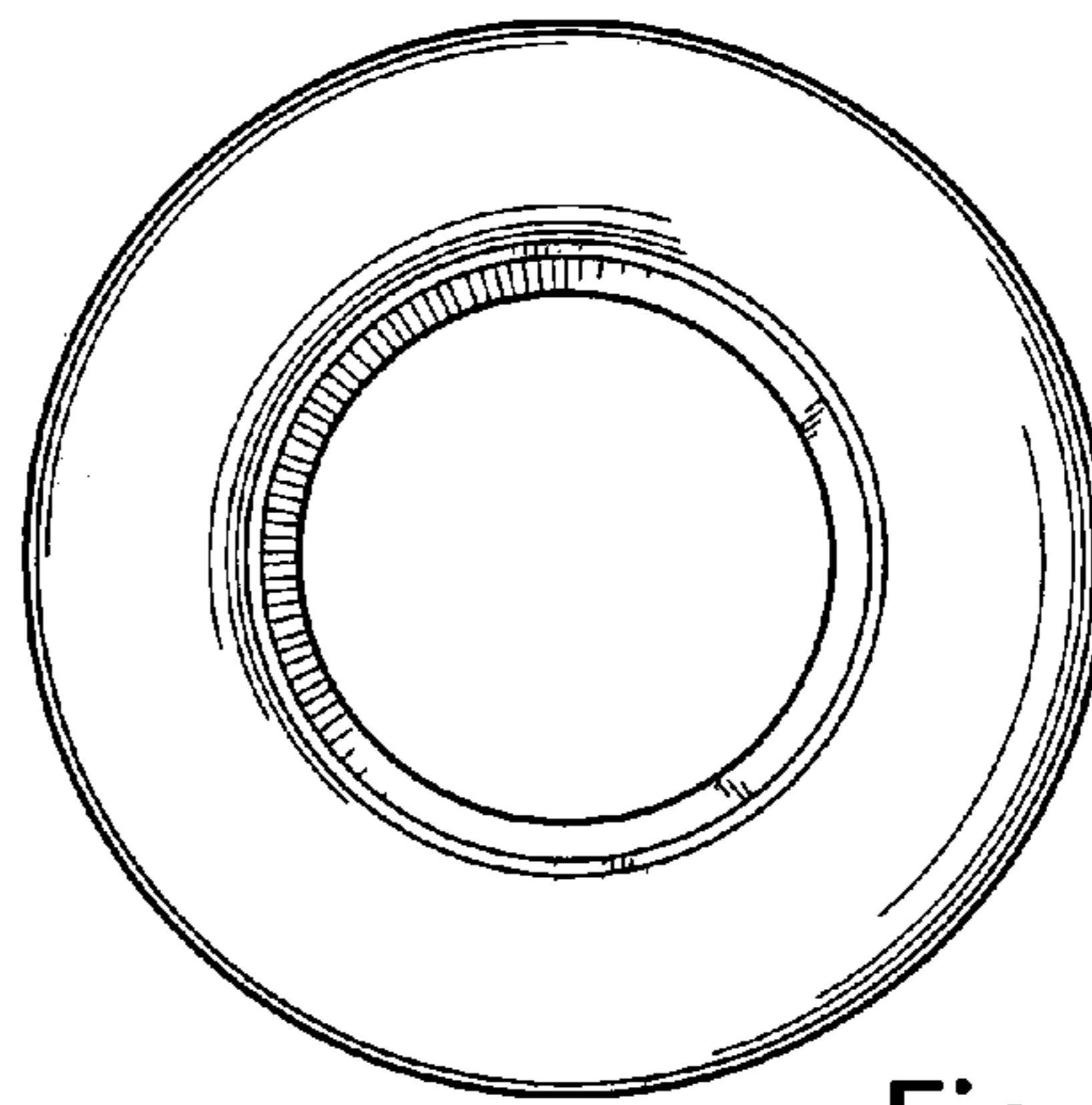


Fig. 18

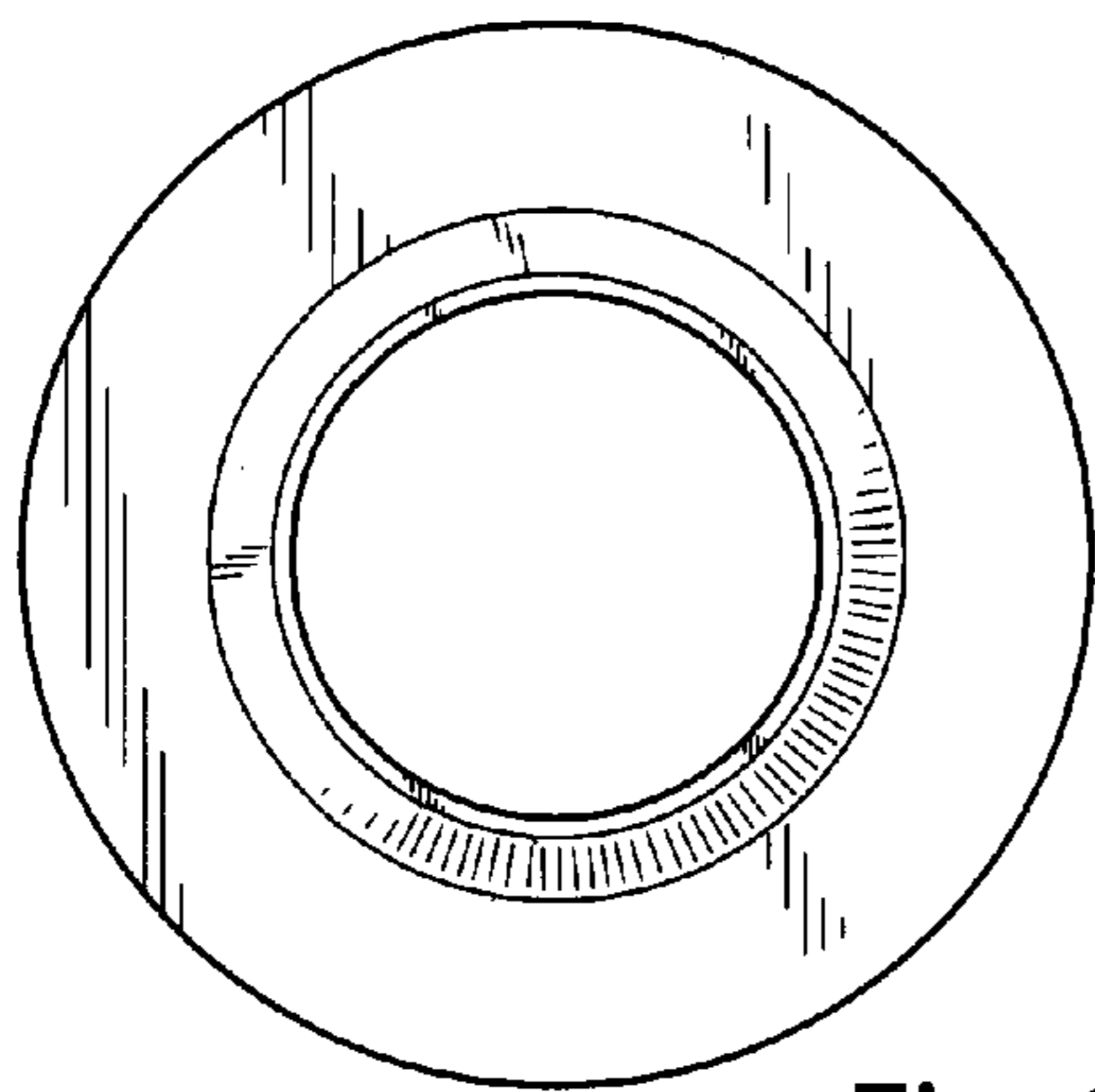


Fig. 19

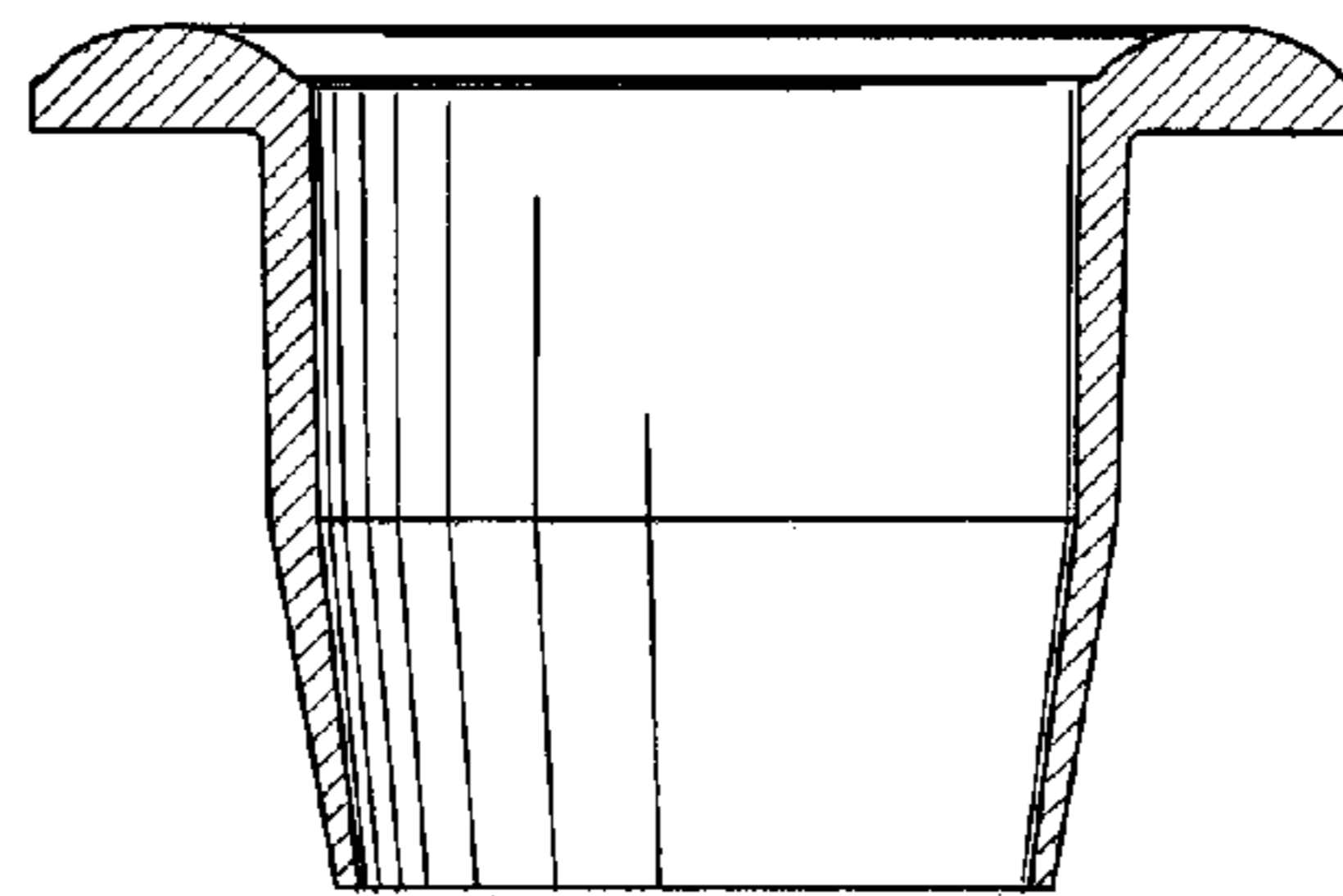


Fig. 20

UNITED STATES PATENT AND TRADEMARK OFFICE
CERTIFICATE OF CORRECTION

PATENT NO. : D655,400 S
APPLICATION NO. : 29/353294
DATED : March 6, 2012
INVENTOR(S) : Donald James DeWitt et al.

Page 1 of 1

It is certified that error appears in the above-identified patent and that said Letters Patent is hereby corrected as shown below:

Title Page

In Column 2, after the "Description" heading, it should read as follows:

-- This design patent application is related to Design Patent Applications Ser. Nos. 29/353,286, 29/353,290 and 29/353,297 and also Utility Patent application Ser. No. 12/683,331, which are filed on even date herewith. --

Signed and Sealed this
First Day of May, 2012

A handwritten signature in black ink that reads "David J. Kappos". The signature is written in a cursive style with a large initial "D" and "K".

David J. Kappos
Director of the United States Patent and Trademark Office