



US00D655399S

(12) **United States Design Patent**  
**Rodriguez**

(10) **Patent No.:** **US D655,399 S**

(45) **Date of Patent:** **\*\* Mar. 6, 2012**

- (54) **CONCEALED FLOOR DRAIN**
  - (76) Inventor: **Orestes R. Rodriguez**, Miami, FL (US)
  - (\*\*) Term: **14 Years**
  - (21) Appl. No.: **29/353,964**
  - (22) Filed: **Jan. 17, 2010**
  - (51) **LOC (9) Cl.** ..... **23-01**
  - (52) **U.S. Cl.** ..... **D23/261**
  - (58) **Field of Classification Search** ..... D23/259-265;  
4/222.1, 309, 286-293, 255.07, 680-682,  
4/694; 137/493
- See application file for complete search history.

- 2007/0180602 A1\* 8/2007 Lin ..... 4/287
- 2009/0007321 A1\* 1/2009 Kang ..... 4/292
- 2010/0005581 A1\* 1/2010 McAlpine ..... 4/291

\* cited by examiner

*Primary Examiner* — T. Chase Nelson  
*Assistant Examiner* — Eric Goodman

(57) **CLAIM**

The ornamental design for a concealed floor drain, as shown and described.

**DESCRIPTION**

FIG. 1 is a side elevation view of my new design. All sides are same as side illustrated;

FIG. 2 is a sectional view along line 2-2 as illustrated in FIG. 5;

FIG. 3 is a sectional view along line 3-3 as illustrated in FIG. 6;

FIG. 4 is an exploded perspective view thereof;

FIG. 5 is a top plan view illustrating the drain base thereof;

FIG. 6 is a top plan view illustrating the flashing collar thereof;

FIG. 7 is a top plan view illustrating the collector head with the drain cover removed thereof; and,

FIG. 8 is a top plan view illustrating the collector head with the drain cover thereof.

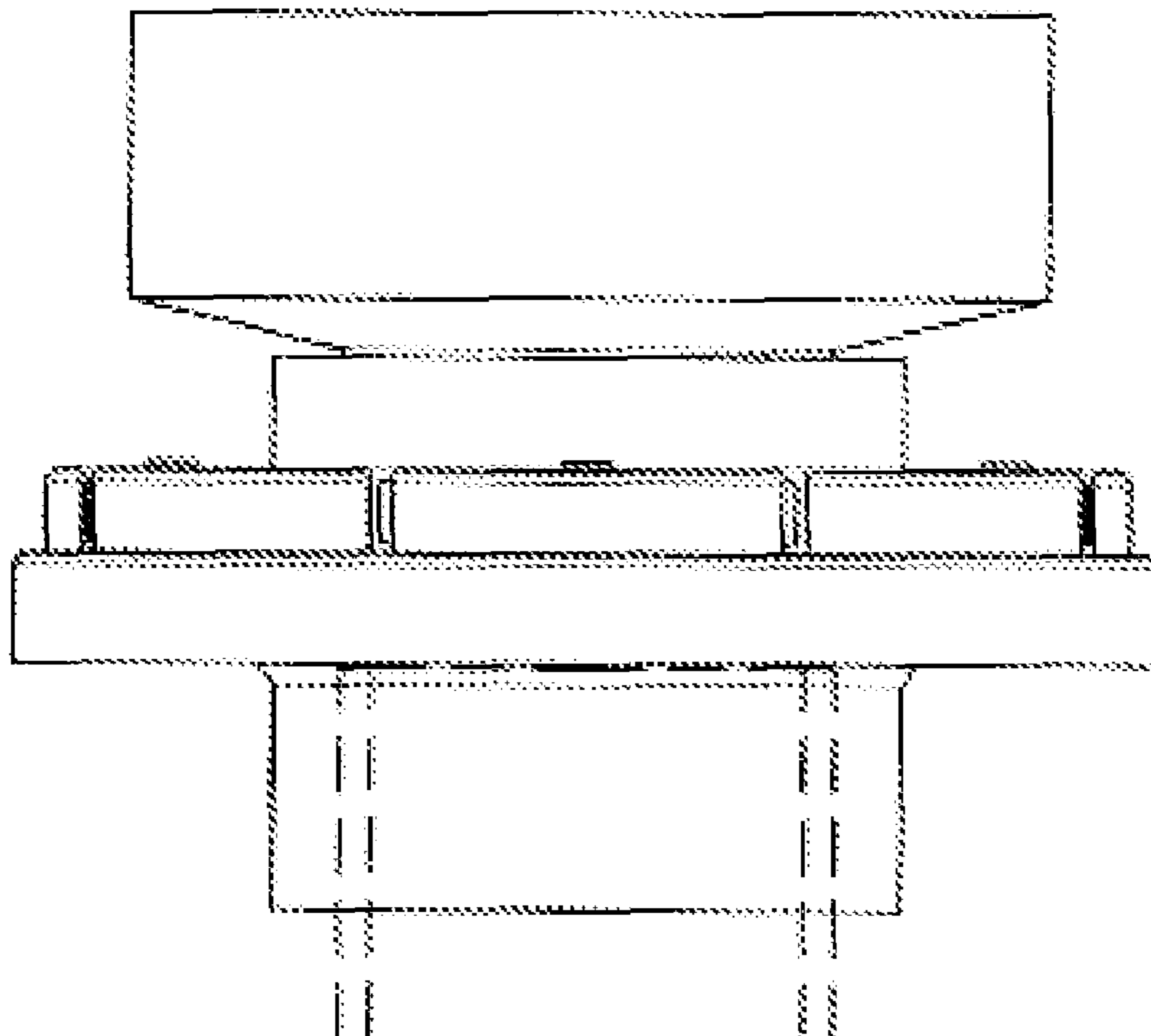
The broken line showing is included for the purpose of illustrating environment and forms no part of the claimed design.

**1 Claim, 5 Drawing Sheets**

(56) **References Cited**

U.S. PATENT DOCUMENTS

4,146,939	A *	4/1979	Izzi	4/286
5,265,281	A *	11/1993	McAlpine	4/287
5,372,715	A *	12/1994	Maggard et al.	210/165
5,418,983	A *	5/1995	Garguillo et al.	4/287
5,458,769	A *	10/1995	Johannessen	210/163
6,058,526	A *	5/2000	Parisi et al.	4/688
6,108,828	A *	8/2000	Cheng	4/287
D441,848	S *	5/2001	Huang	D23/261
D507,821	S *	7/2005	Colpitts et al.	D23/261
D517,664	S *	3/2006	Hill	D23/261
7,013,500	B1 *	3/2006	Lin	4/287
D576,257	S *	9/2008	Rattenbury	D23/260
D612,912	S *	3/2010	Delaney et al.	D23/259
D614,267	S *	4/2010	Breda	D23/261
D621,915	S *	8/2010	Fima	D23/261



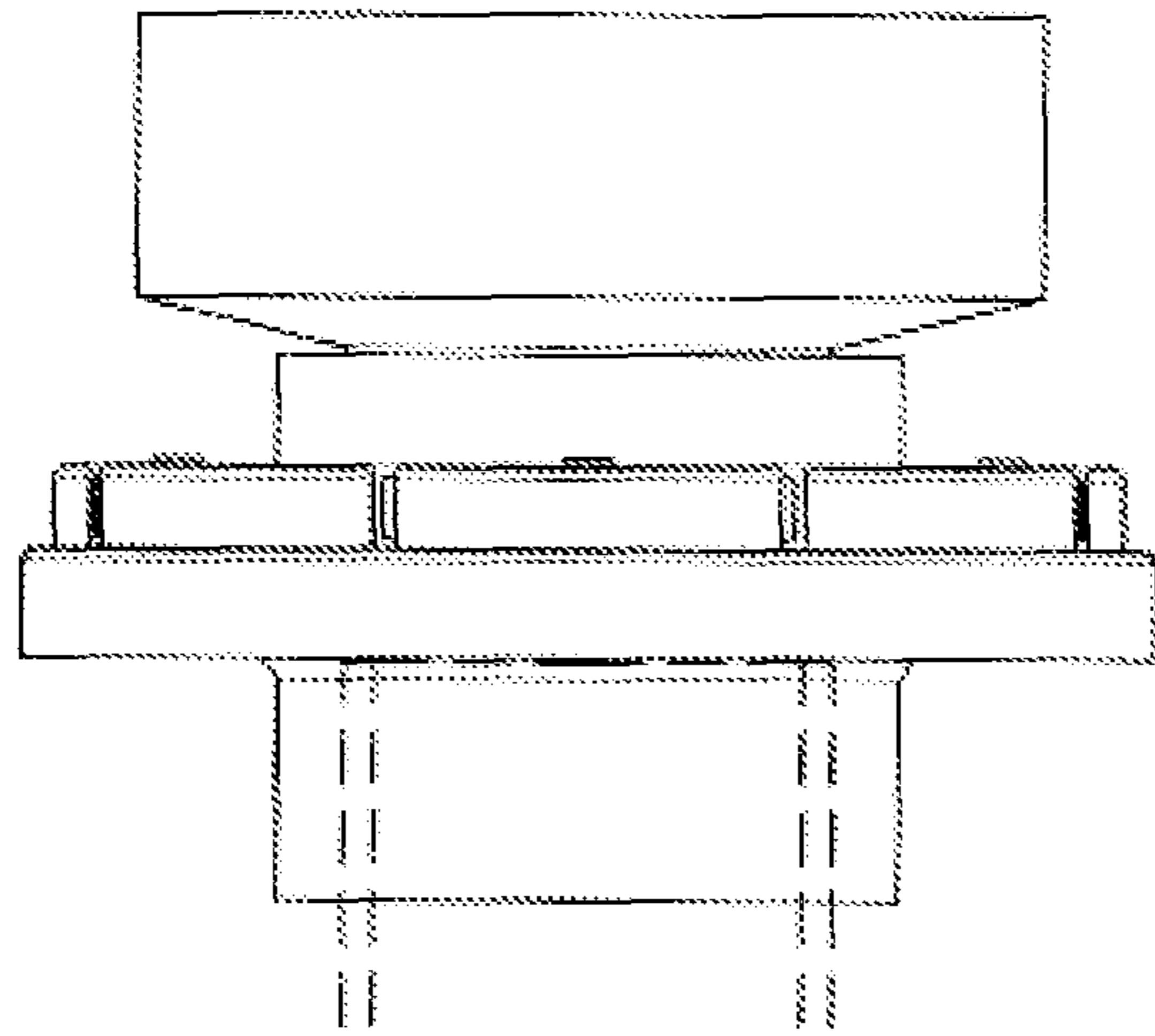


FIG. 1

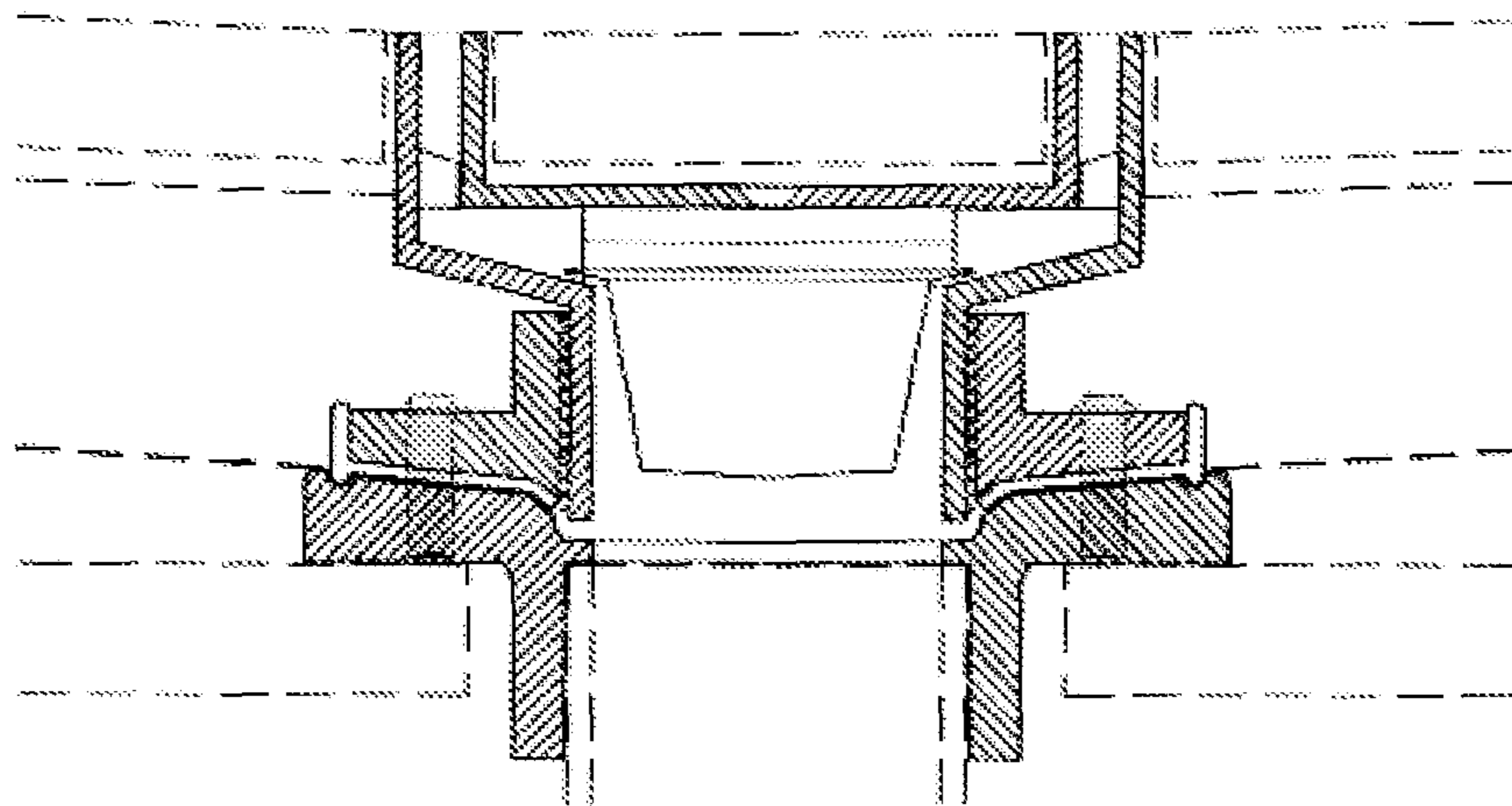


FIG. 2

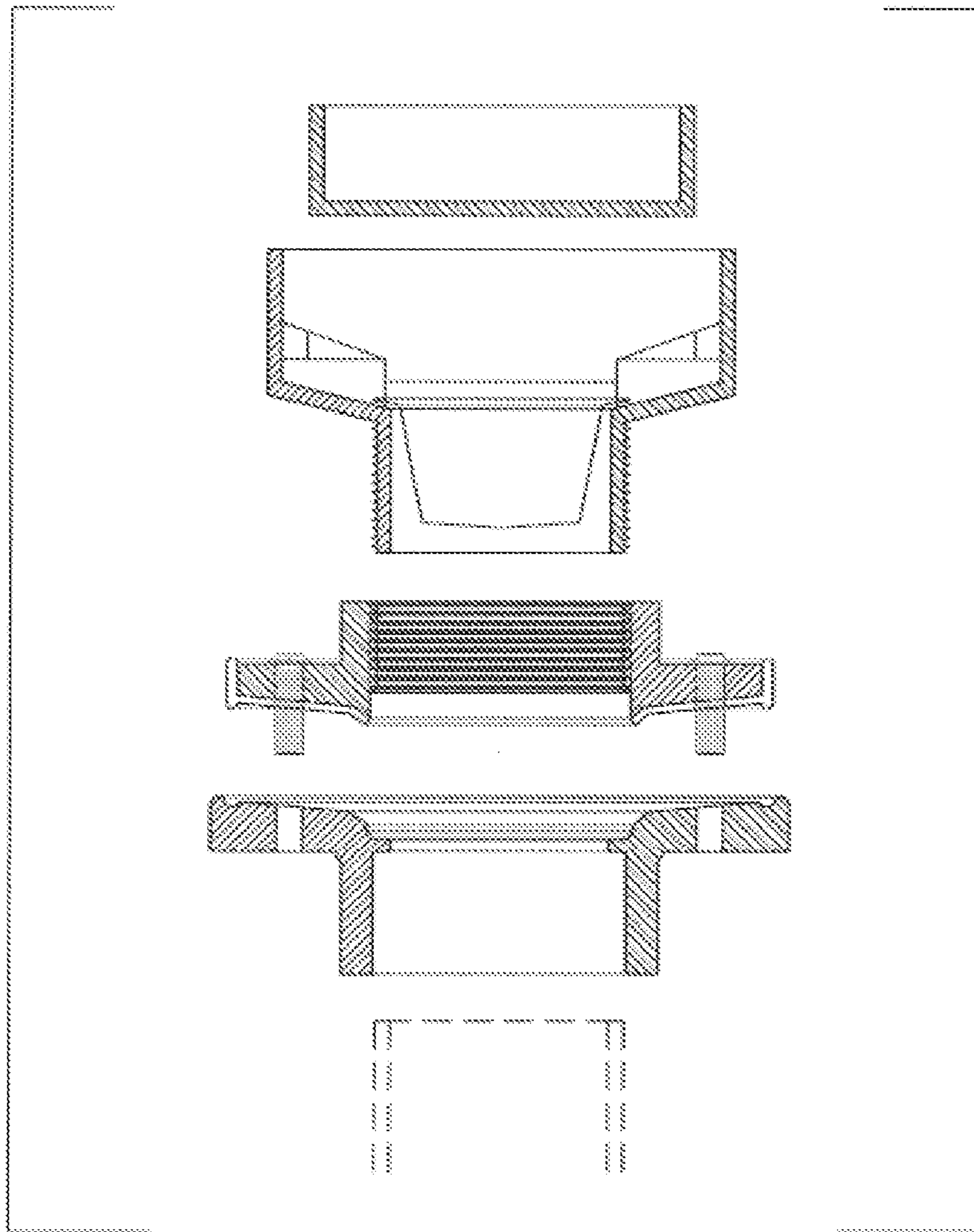


FIG. 3

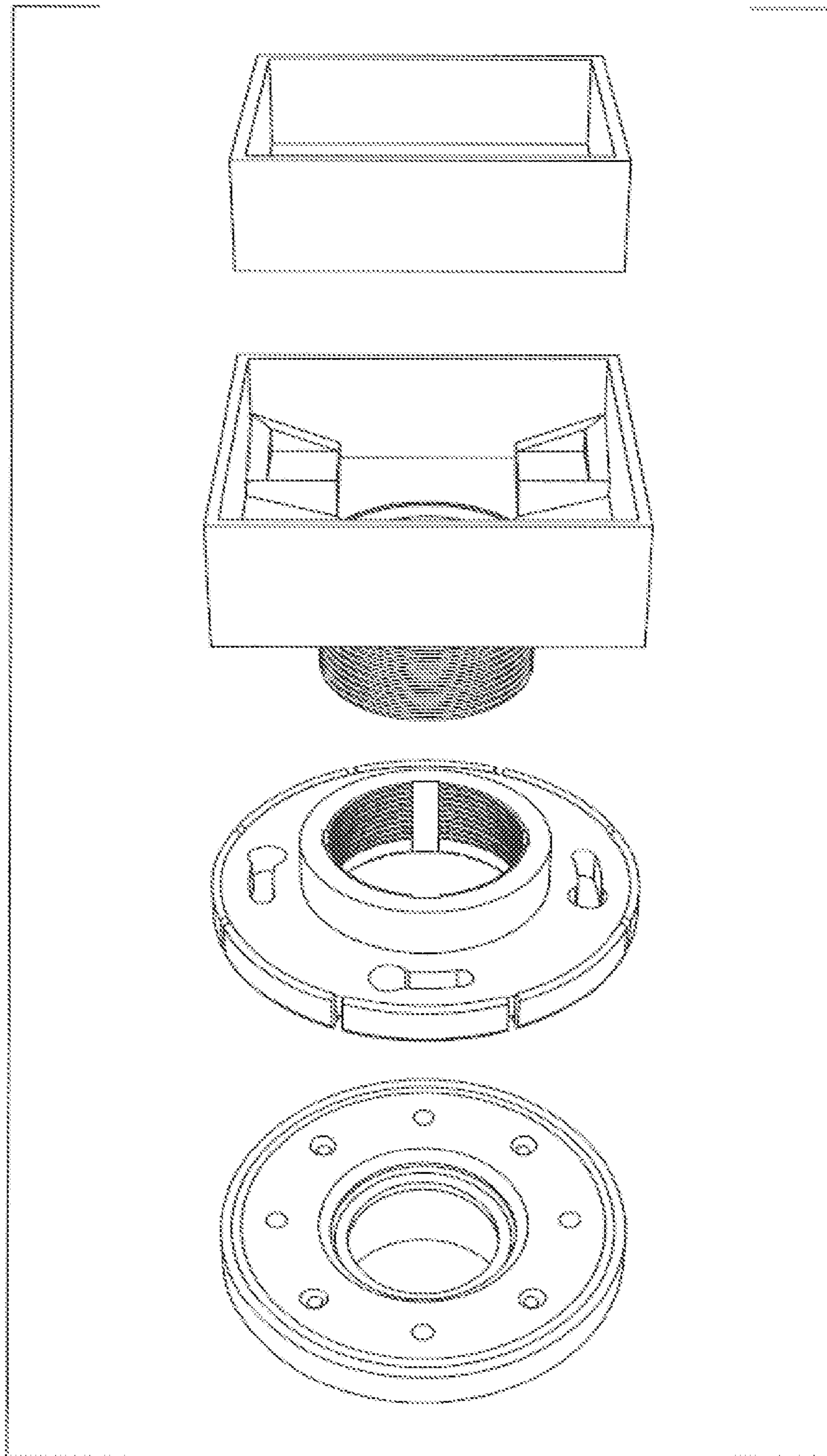


FIG. 4



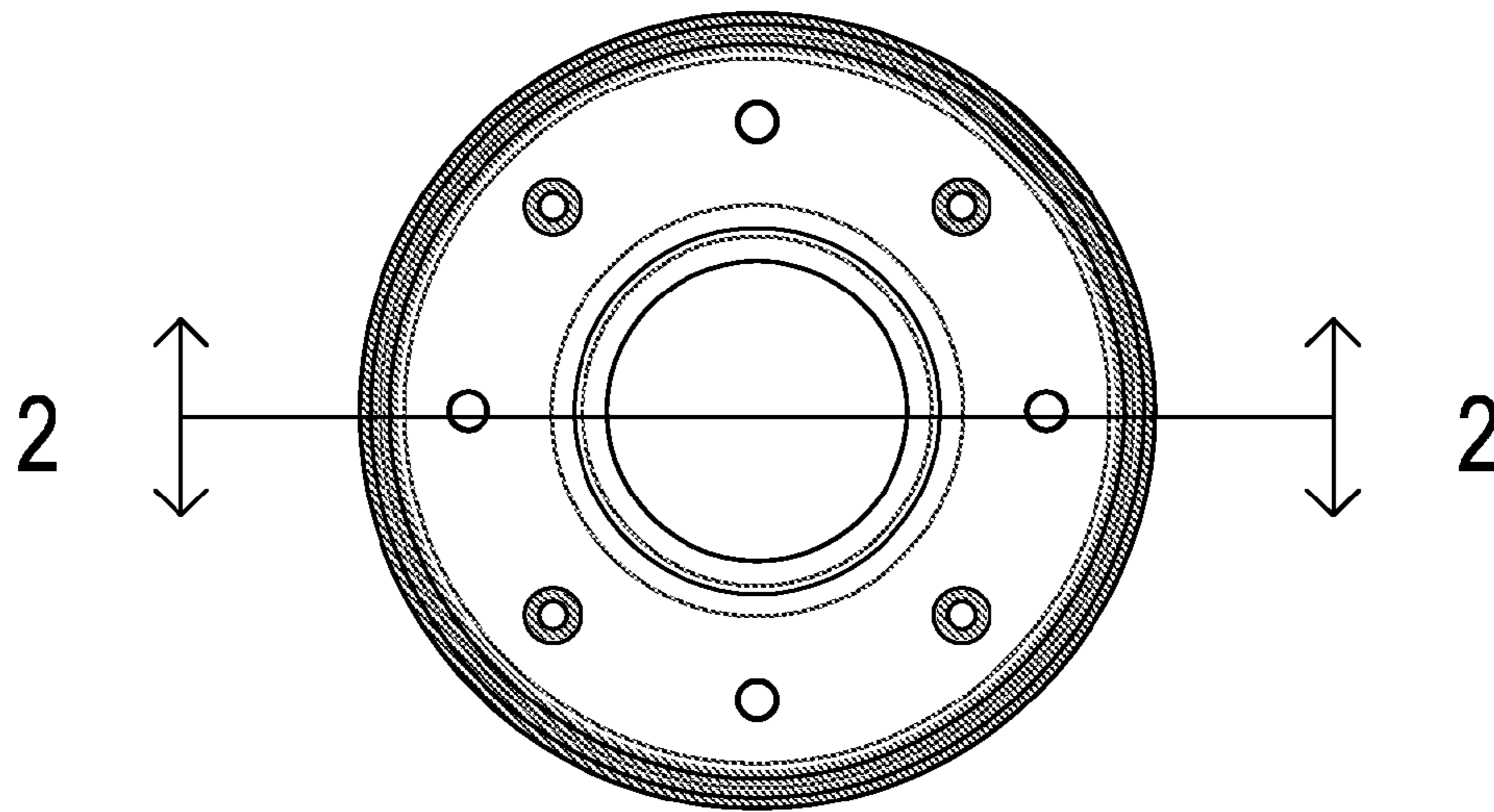


FIG. 5

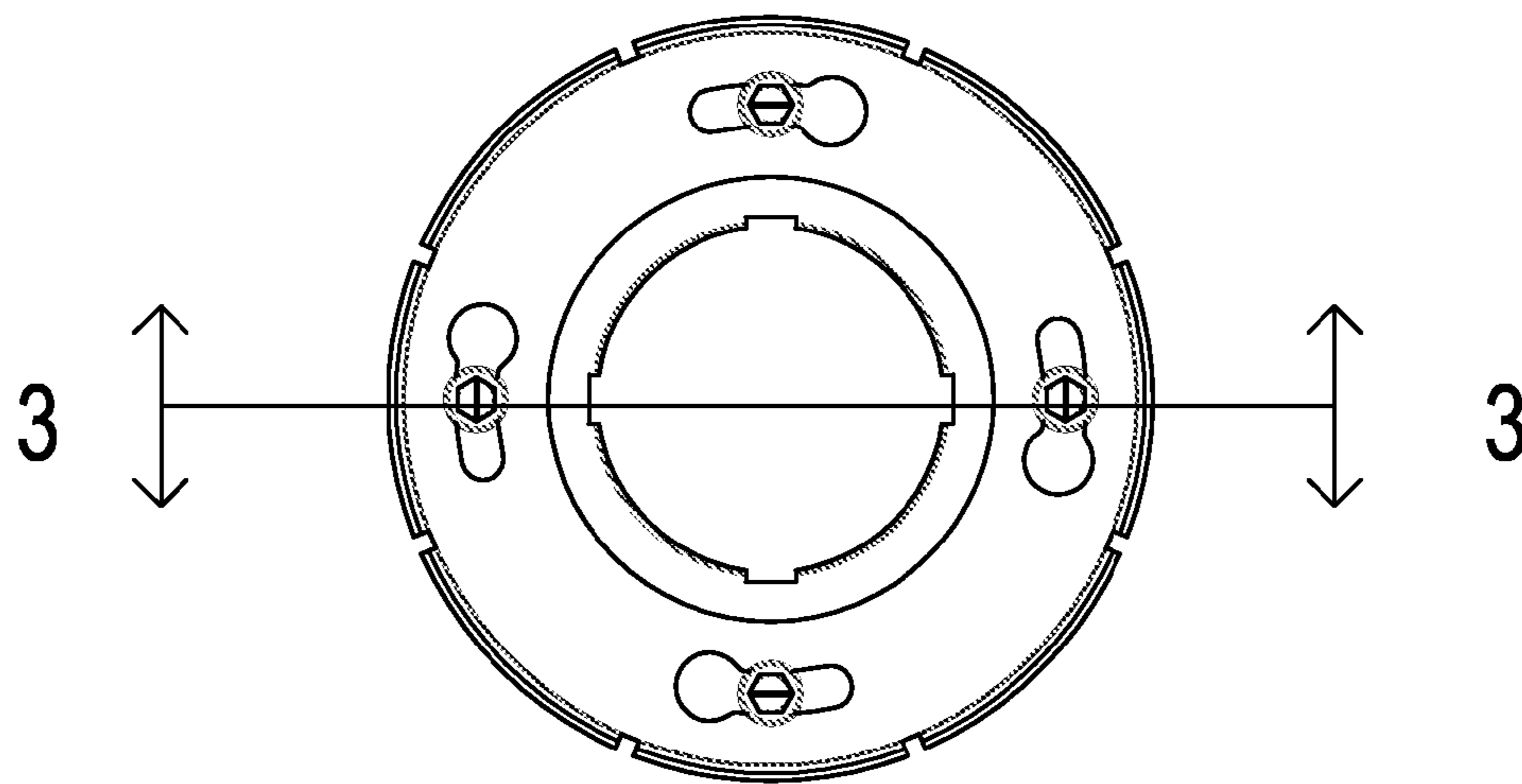


FIG. 6

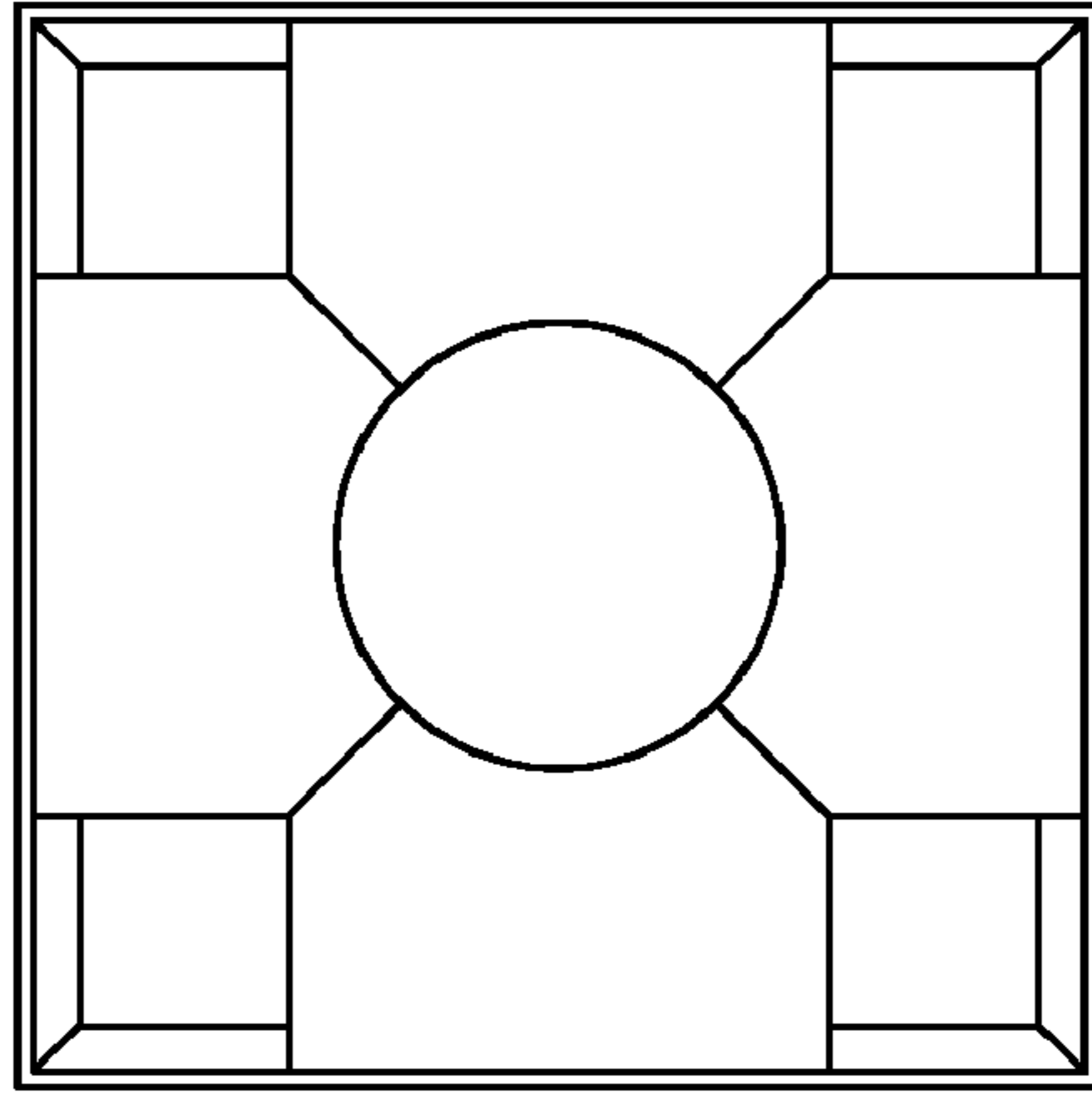


FIG. 7

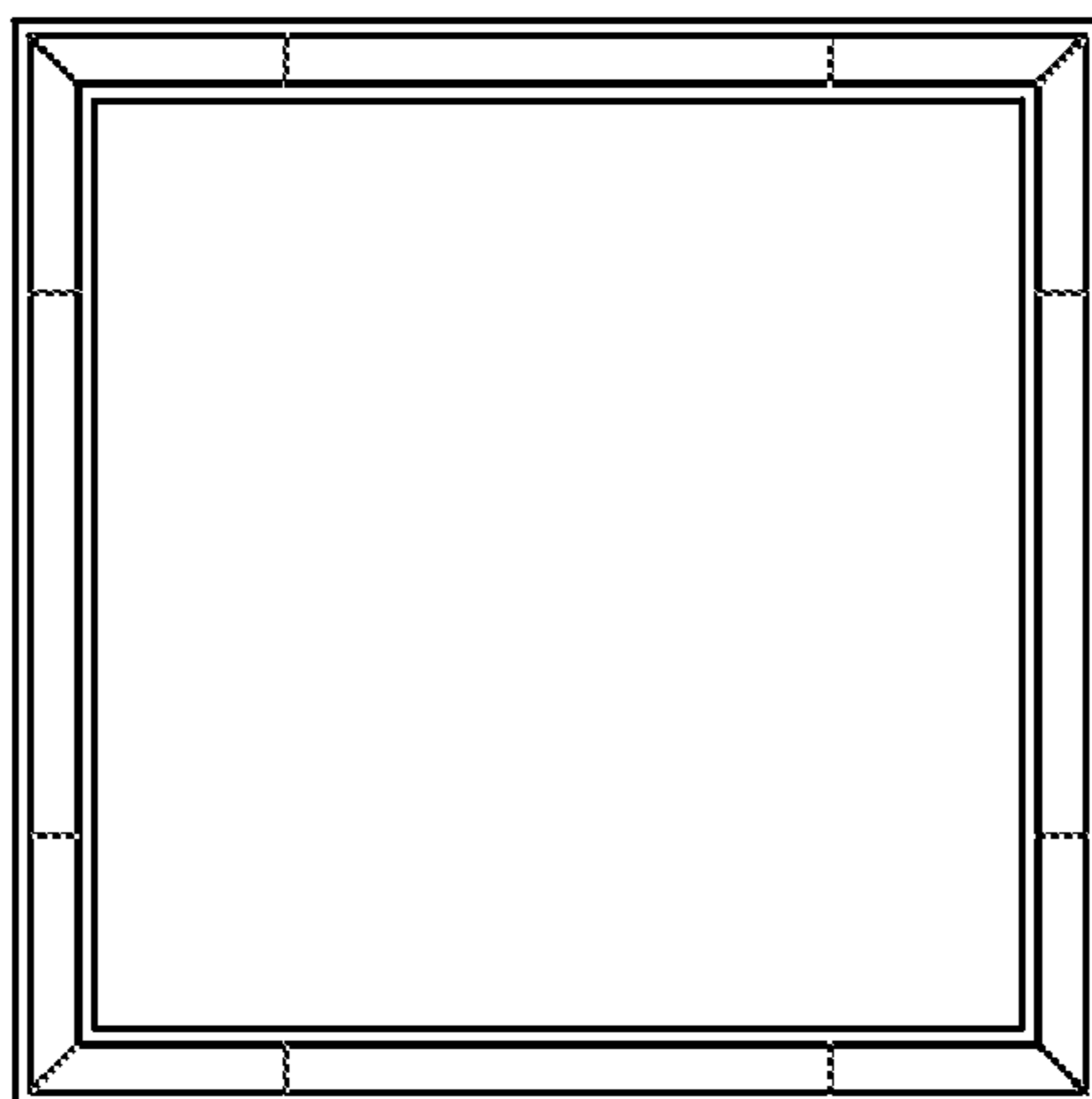


FIG. 8