



US00D655397S

(12) **United States Design Patent**
Huang

(10) **Patent No.:** **US D655,397 S**
(45) **Date of Patent:** **** Mar. 6, 2012**

(54) **FAUCET HANDLE**
(75) Inventor: **Li-Chen Huang**, Changhua Hsien (TW)
(73) Assignee: **Alexander Yeh Industry Co., Ltd.**,
Lukang Chen, Changhua Hsien (TW)

D398,040 S * 9/1998 Ko D23/252
D414,247 S * 9/1999 Kolada et al. D23/252
D433,488 S * 11/2000 Milrud et al. D23/254
D449,214 S * 10/2001 Yeh D8/310
* cited by examiner

(**) Term: **14 Years**

Primary Examiner — Robert Delehanty

(21) Appl. No.: **29/389,017**

(57) **CLAIM**
The ornamental design for a faucet handle, as shown and described.

(22) Filed: **Apr. 6, 2011**

(51) **LOC (9) Cl.** **23-01**

(52) **U.S. Cl.** **D23/252**

(58) **Field of Classification Search** D23/250,
D23/252, 254, 238, 241–242; 4/675–678;
137/801

See application file for complete search history.

DESCRIPTION

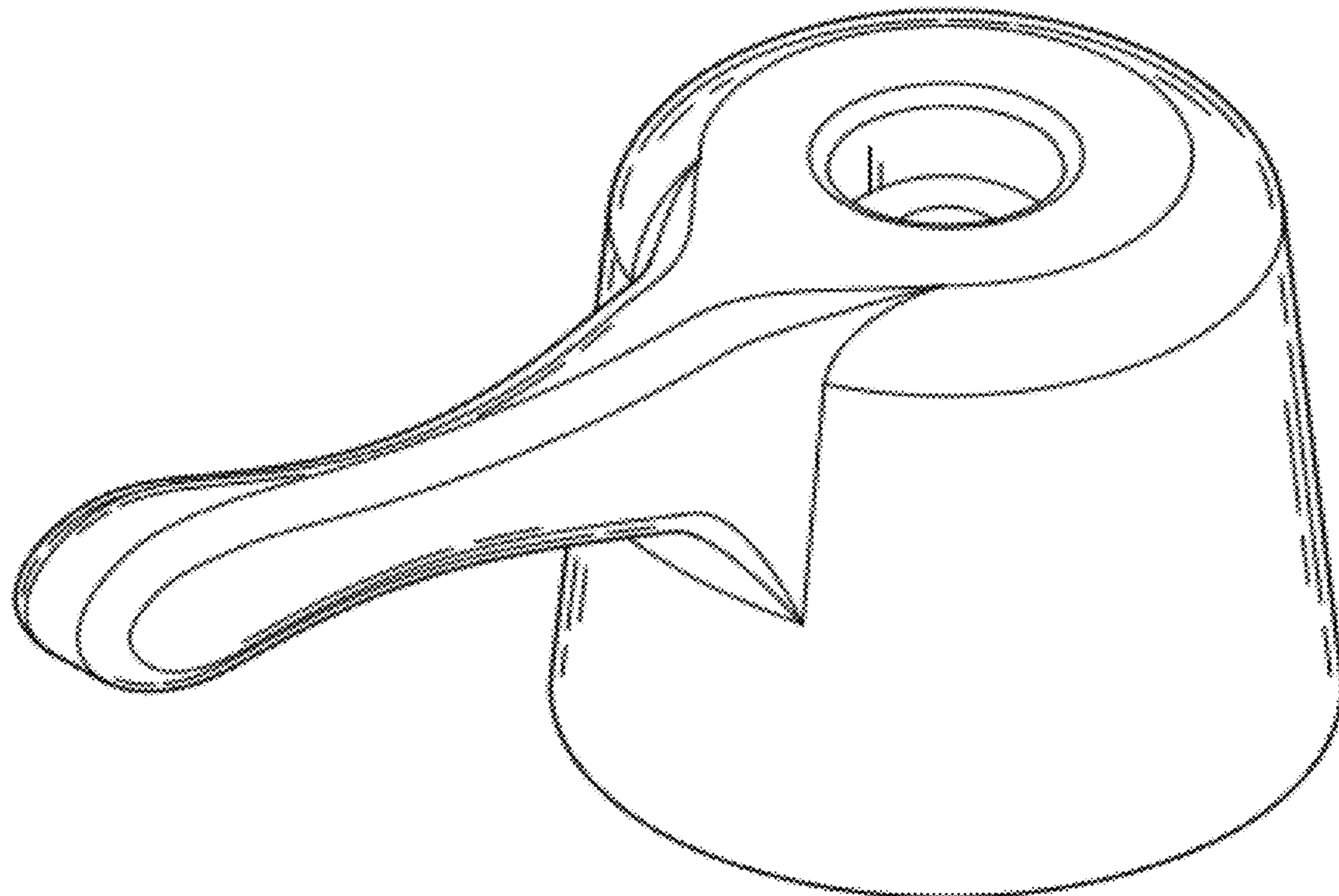
FIG. 1 is an upper perspective view of a faucet handle showing my new design;
FIG. 2 is a front view of the embodiment shown in FIG. 1;
FIG. 3 is a rear view of the embodiment shown in FIG. 1;
FIG. 4 is a left side view of the embodiment shown in FIG. 1;
FIG. 5 is a right side view of the embodiment shown in FIG. 1; and,
FIG. 6 is a top view of the embodiment shown in FIG. 1.

(56) **References Cited**

U.S. PATENT DOCUMENTS

D368,957 S * 4/1996 Bavoso D23/252
D375,785 S * 11/1996 Spano et al. D23/252

1 Claim, 4 Drawing Sheets



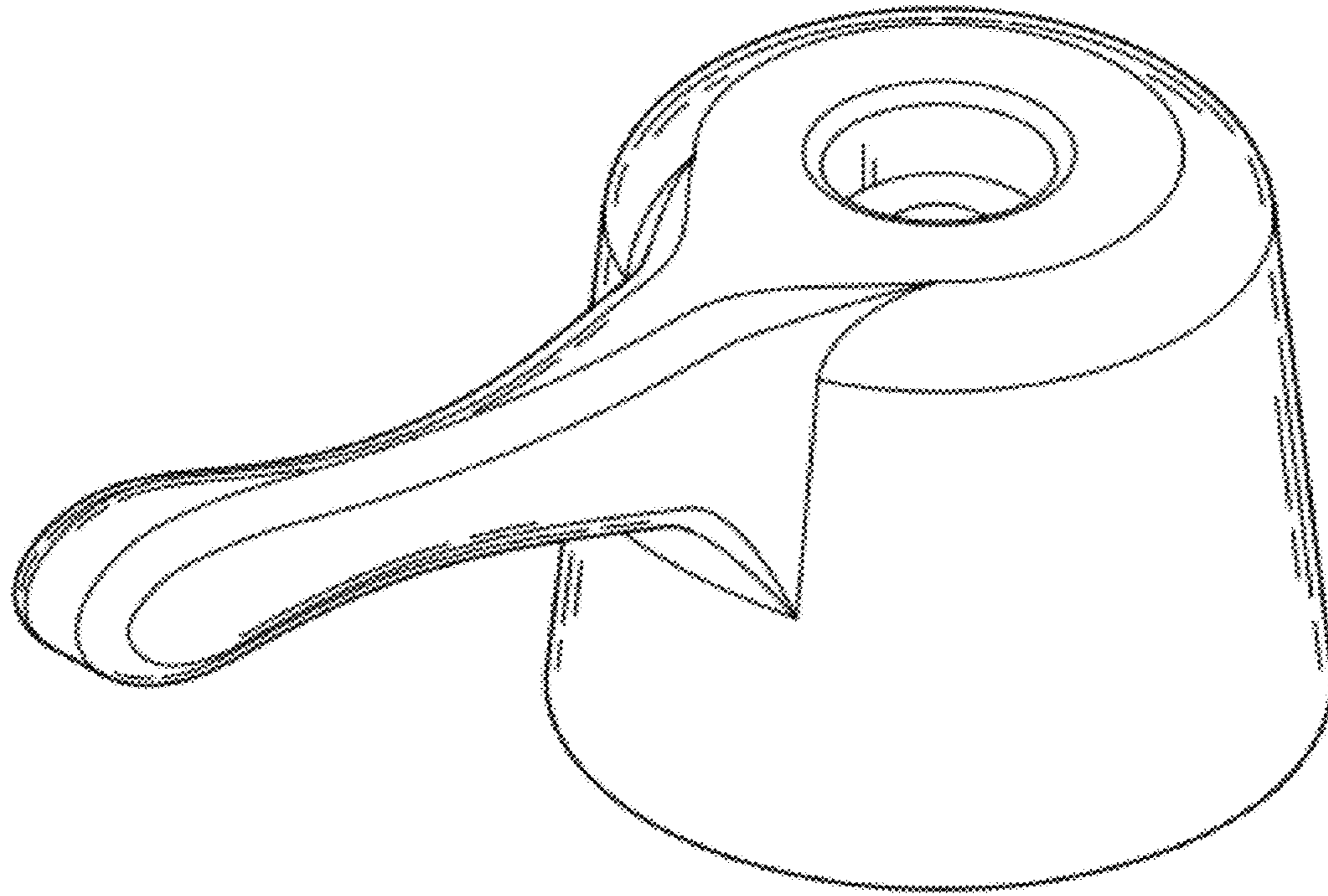


FIG. 1

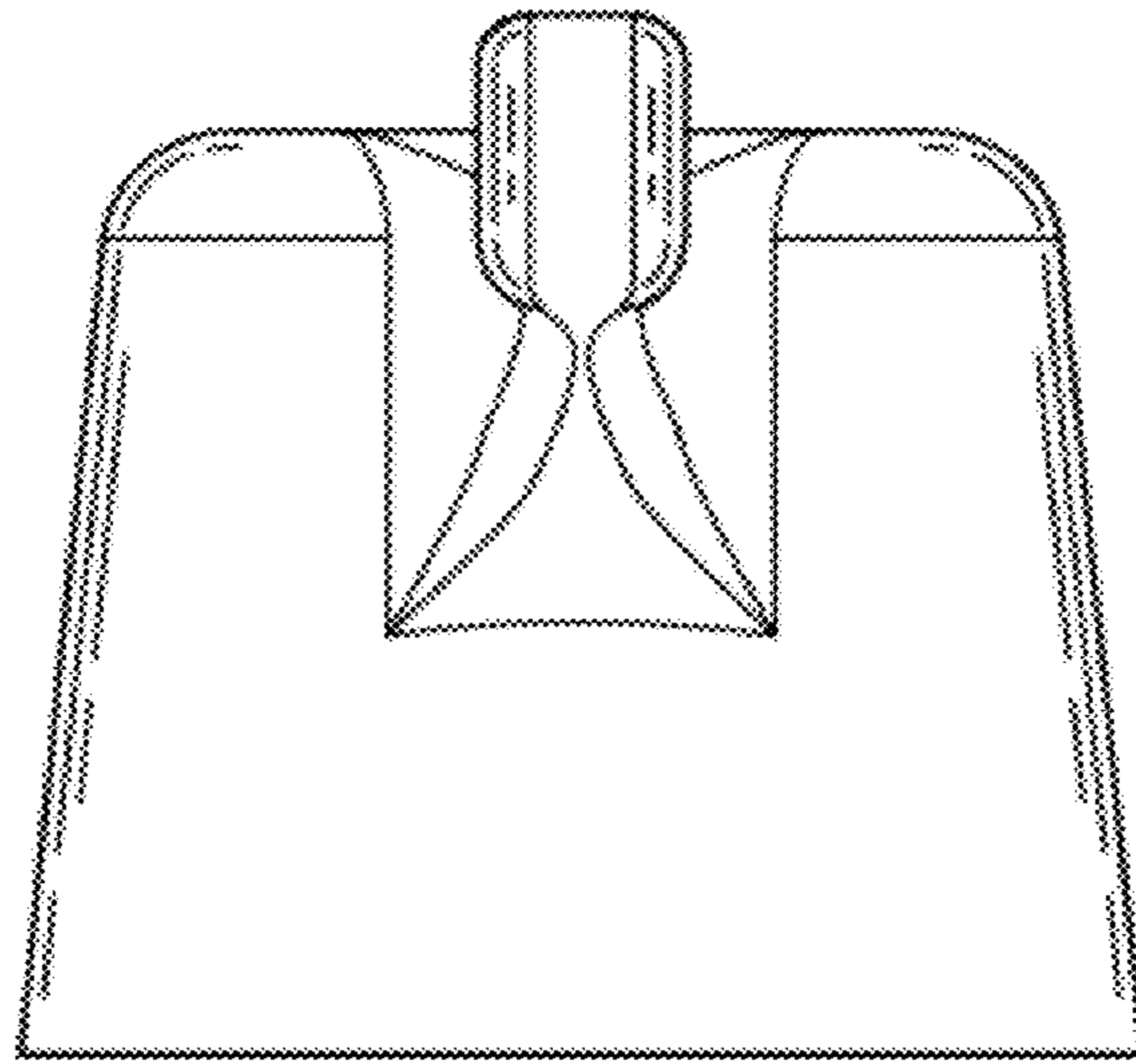


FIG. 2

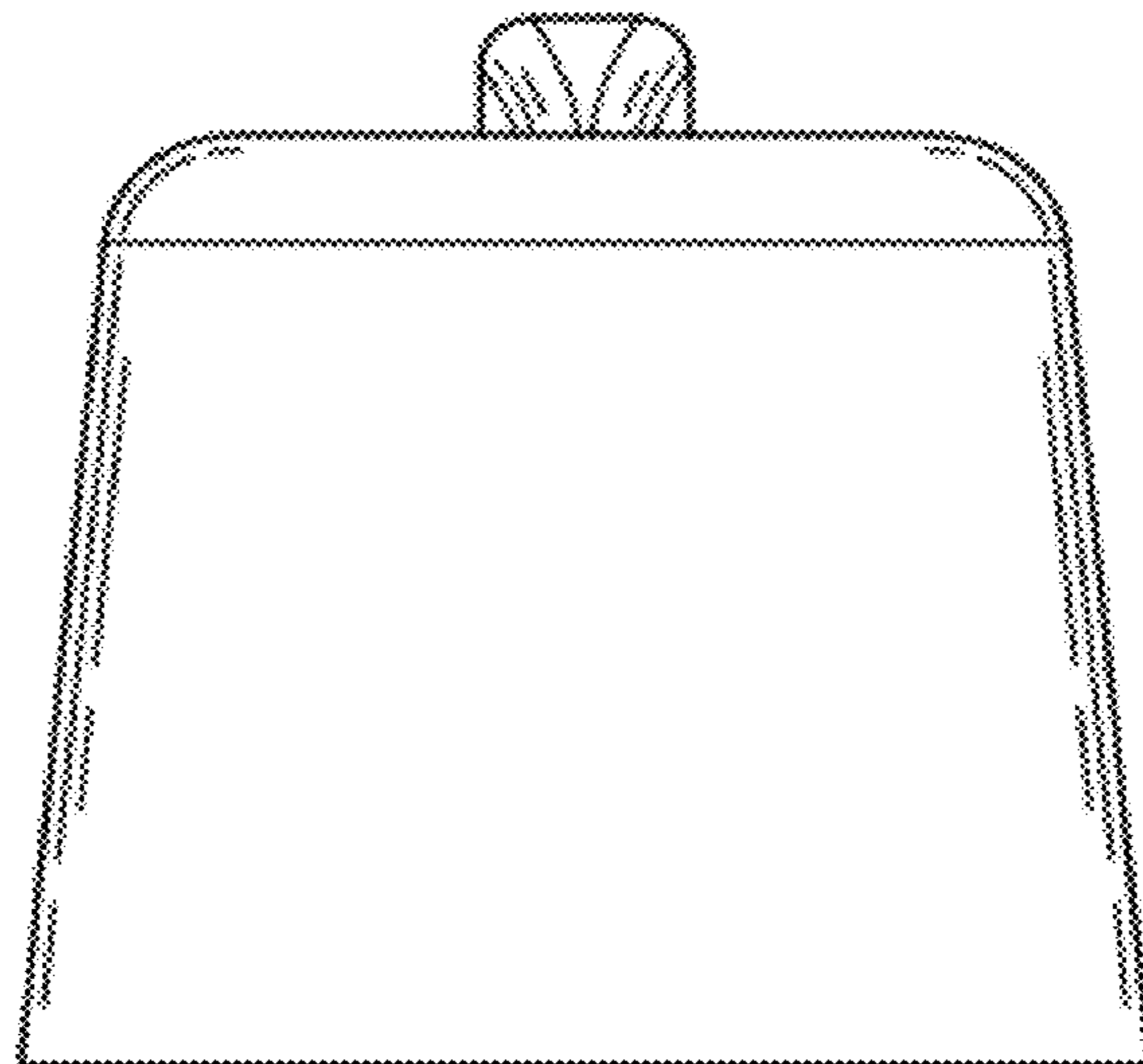


FIG. 3

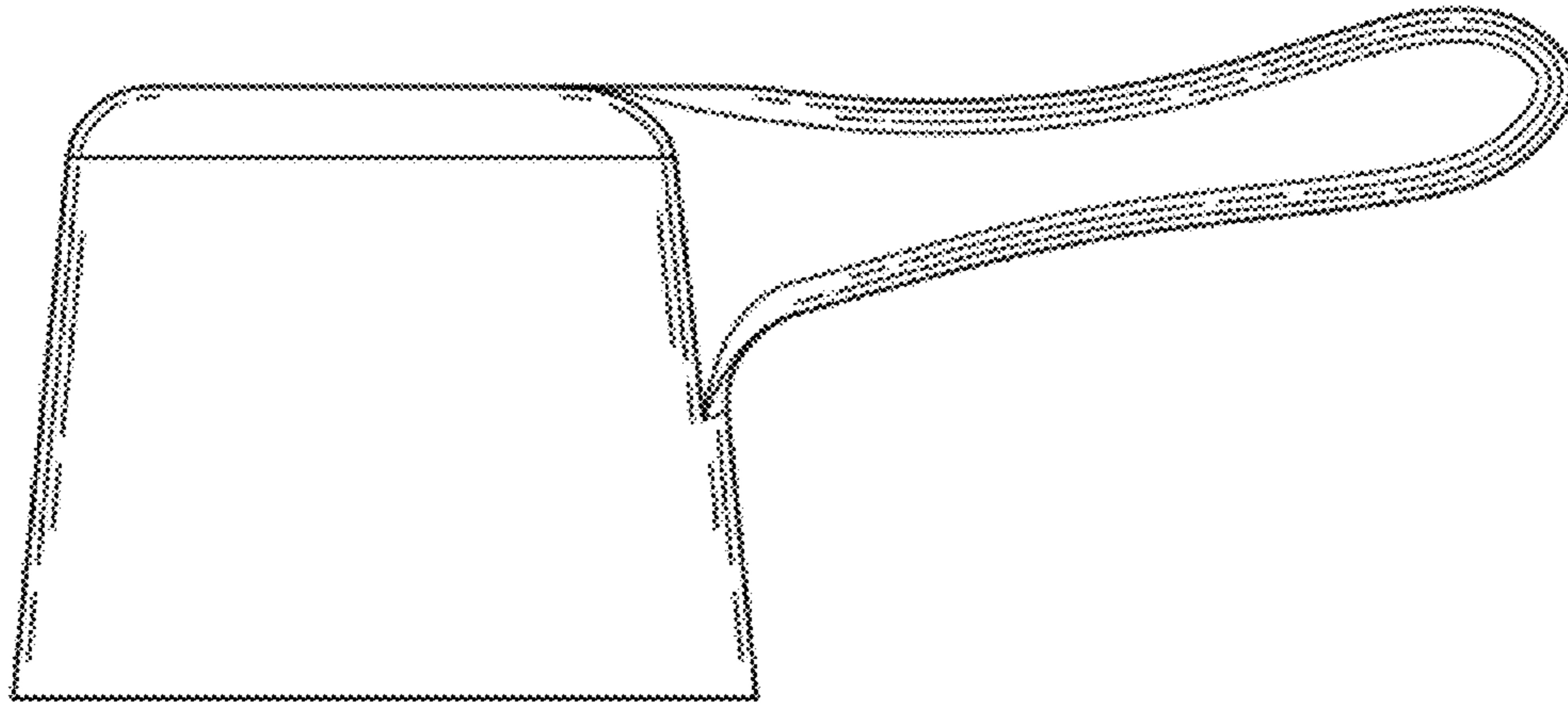


FIG. 4

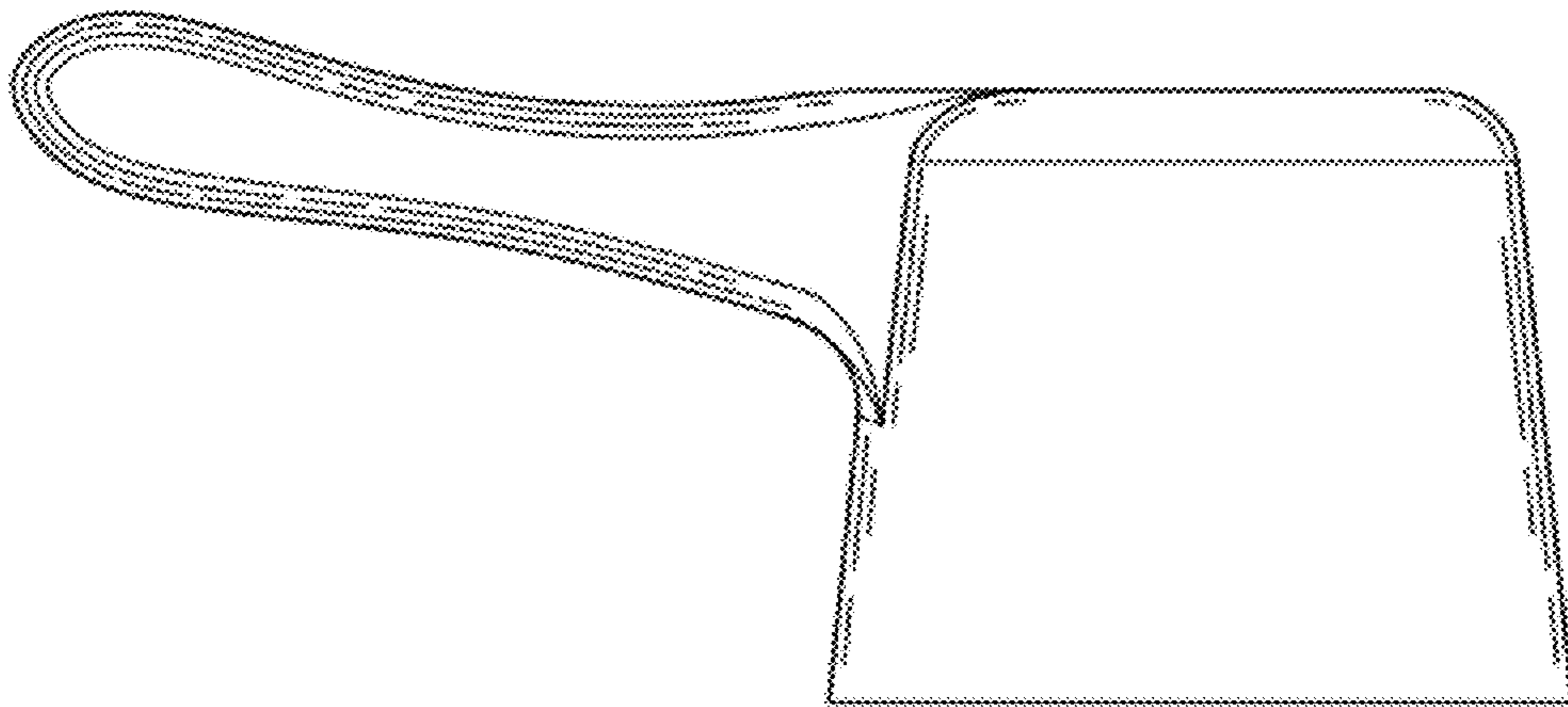


FIG. 5

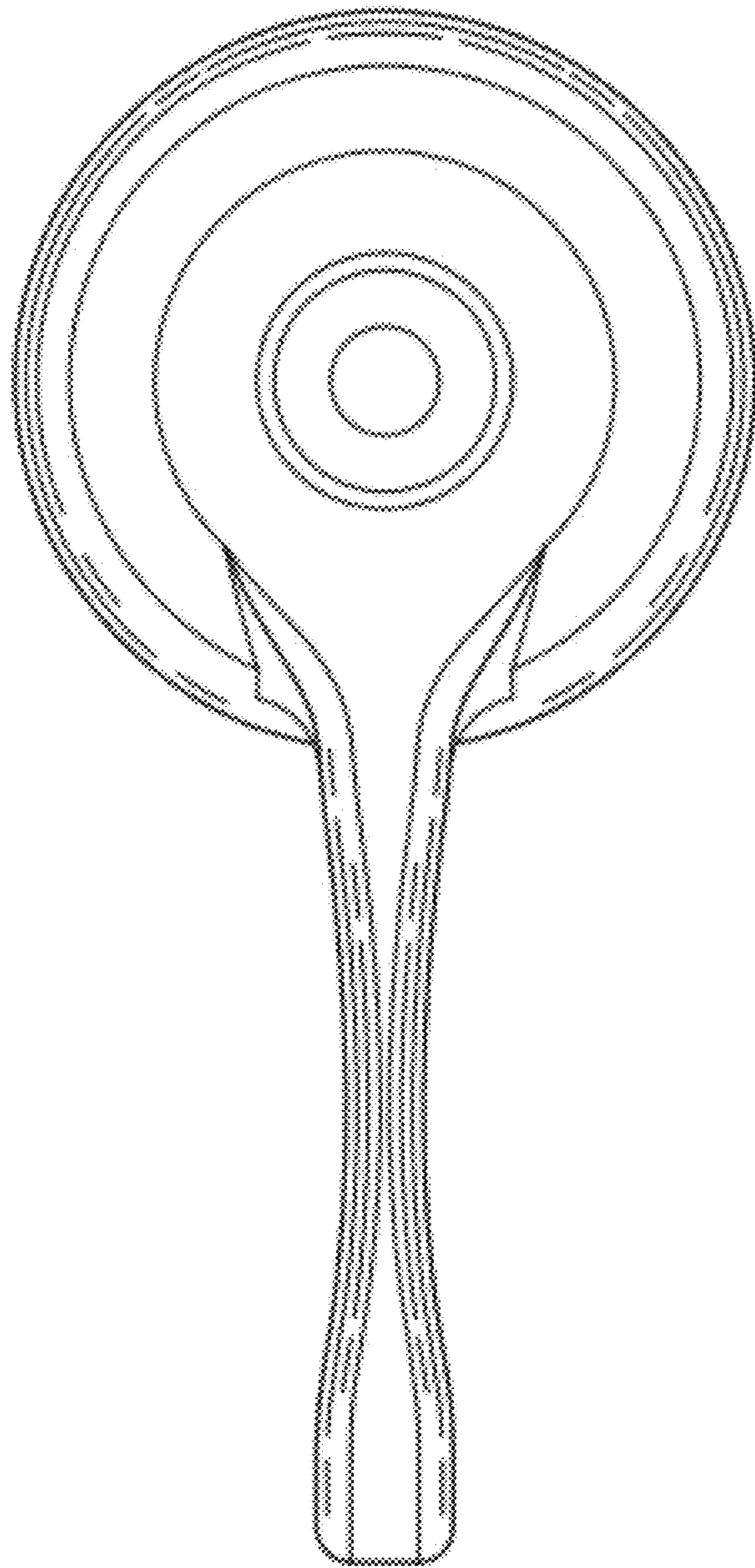


FIG. 6