



US00D655396S

(12) **United States Design Patent**  
**Obara et al.**

(10) **Patent No.:** **US D655,396 S**

(45) **Date of Patent:** **\*\* Mar. 6, 2012**

(54) **FAUCET**

(75) Inventors: **Mitsuya Obara**, Morrow, GA (US); **Lea Mari Mendoza**, Morrow, GA (US); **Hajime Kakihana**, Fukuoka (JP)

(73) Assignee: **Toto Ltd.**, Kitakyushu-shi, Fukuoka (JP)

(\*\*) Term: **14 Years**

(21) Appl. No.: **29/389,449**

(22) Filed: **Apr. 12, 2011**

(51) **LOC (9) Cl.** ..... **02-01**

(52) **U.S. Cl.** ..... **D23/242; D23/253**

(58) **Field of Classification Search** ..... D23/255,  
D23/257, 238, 250, 252, 241–243, 253–254;  
4/676–678; 137/801

See application file for complete search history.

(56) **References Cited**

**U.S. PATENT DOCUMENTS**

D458,344 S \* 6/2002 Mullenmeister ..... D23/250  
D461,231 S \* 8/2002 Mullenmeister ..... D23/257  
D581,019 S \* 11/2008 Chang ..... D23/250

D630,713 S \* 1/2011 Romero ..... D23/253

\* cited by examiner

*Primary Examiner* — Robert Delehanty

(74) *Attorney, Agent, or Firm* — Banner & Witcoff, Ltd

(57) **CLAIM**

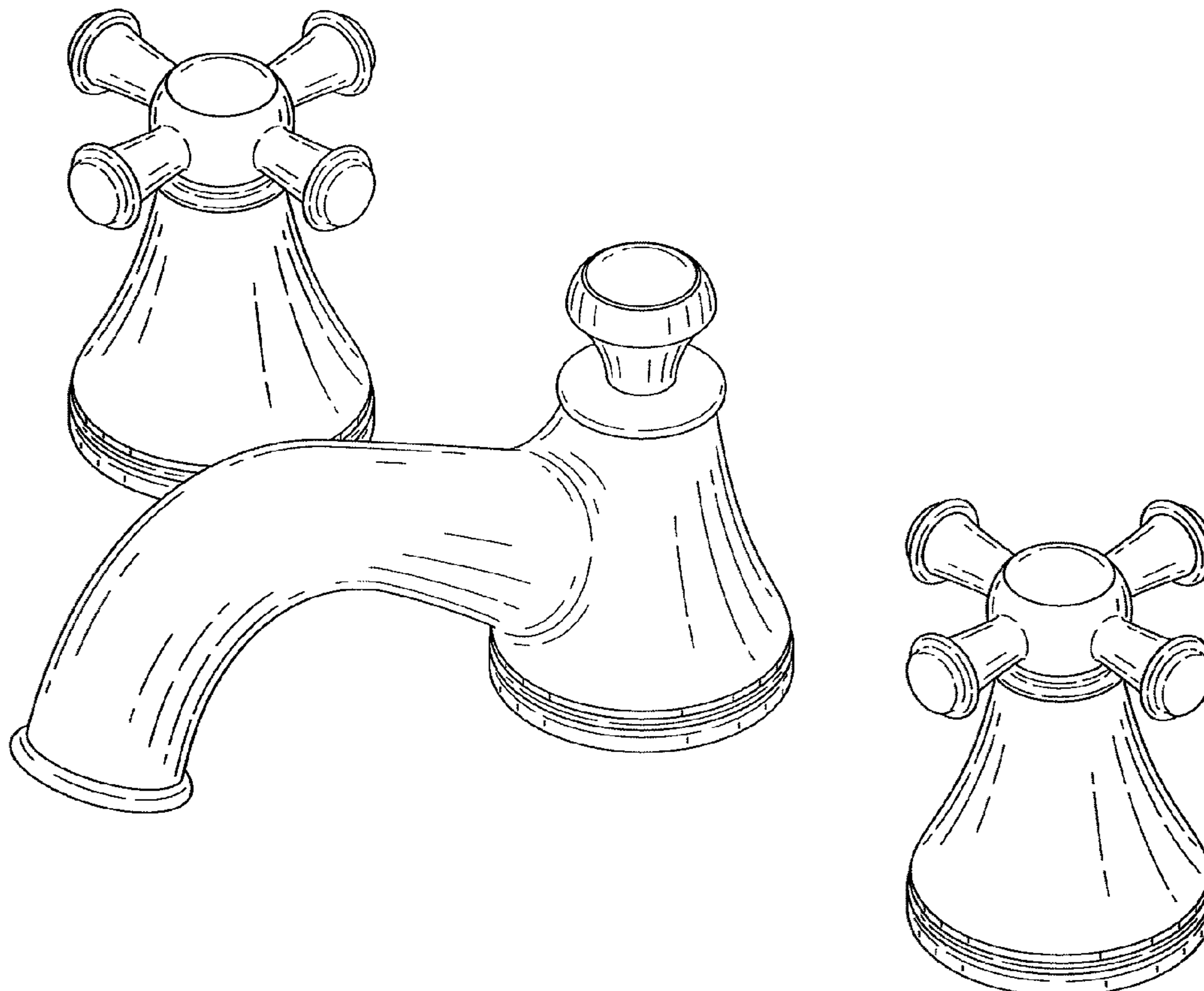
The ornamental design for a faucet, as shown and described.

**DESCRIPTION**

FIG. 1 is a perspective view of front, top plan and right side of a faucet according to our new design;  
FIG. 2 is a front view thereof;  
FIG. 3 is a rear view thereof;  
FIG. 4 is a left side view thereof;  
FIG. 5 is a right side view thereof;  
FIG. 6 is a top plan view thereof; and,  
FIG. 7 is a bottom view thereof.

The portions of the article in broken lines are shown for illustrative purposes only and form no part of the claimed design.

**1 Claim, 5 Drawing Sheets**



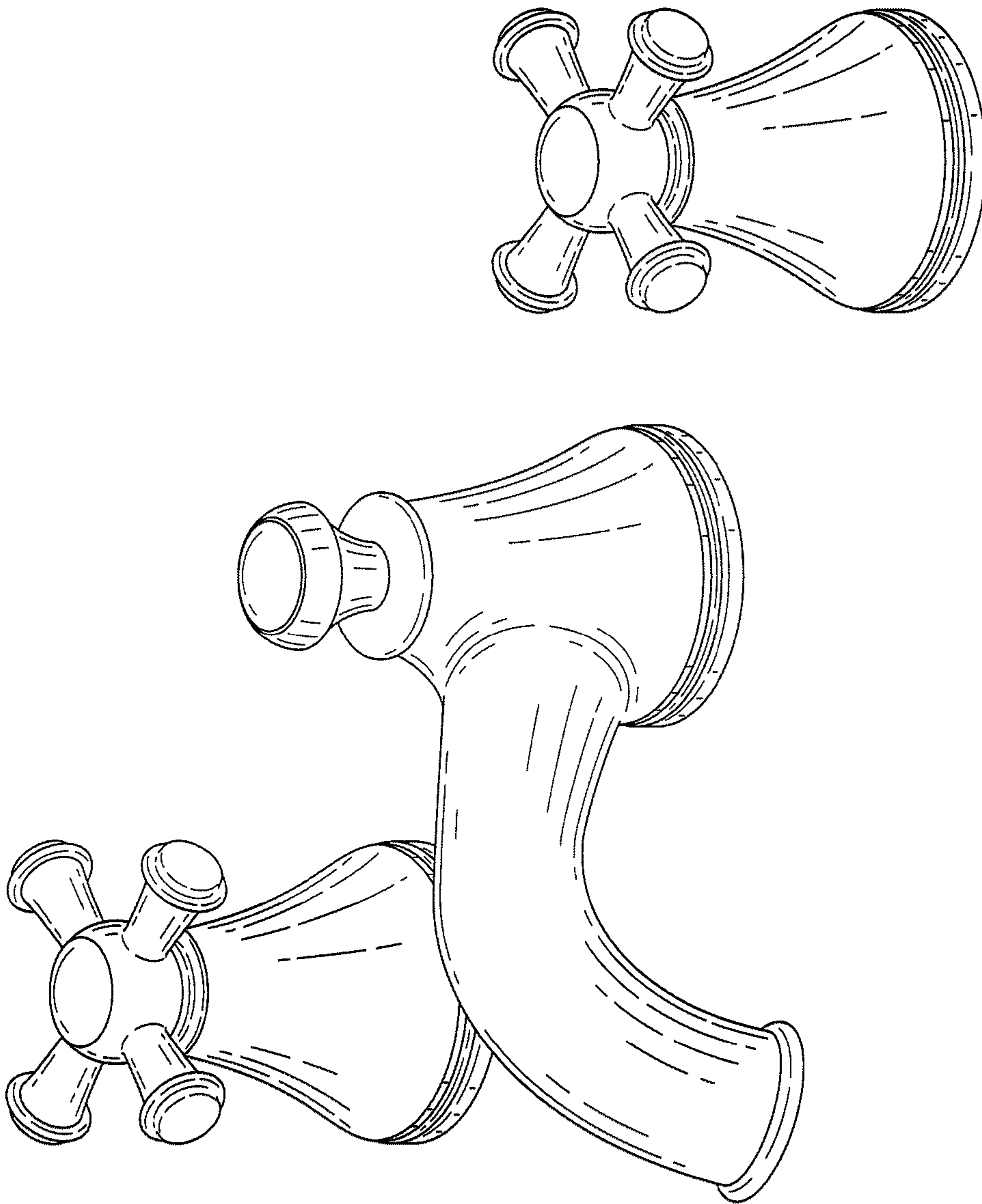


FIG. 1

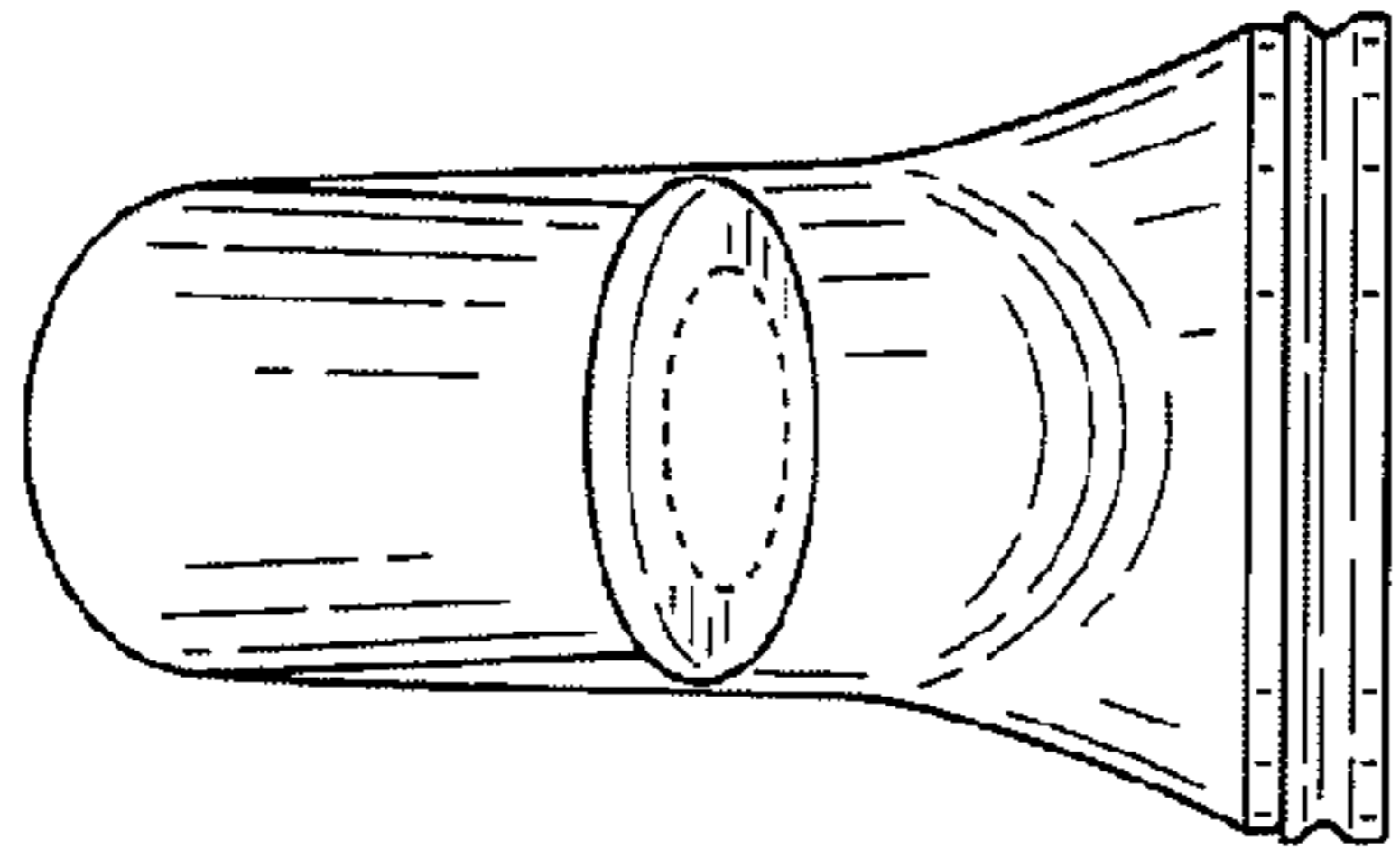
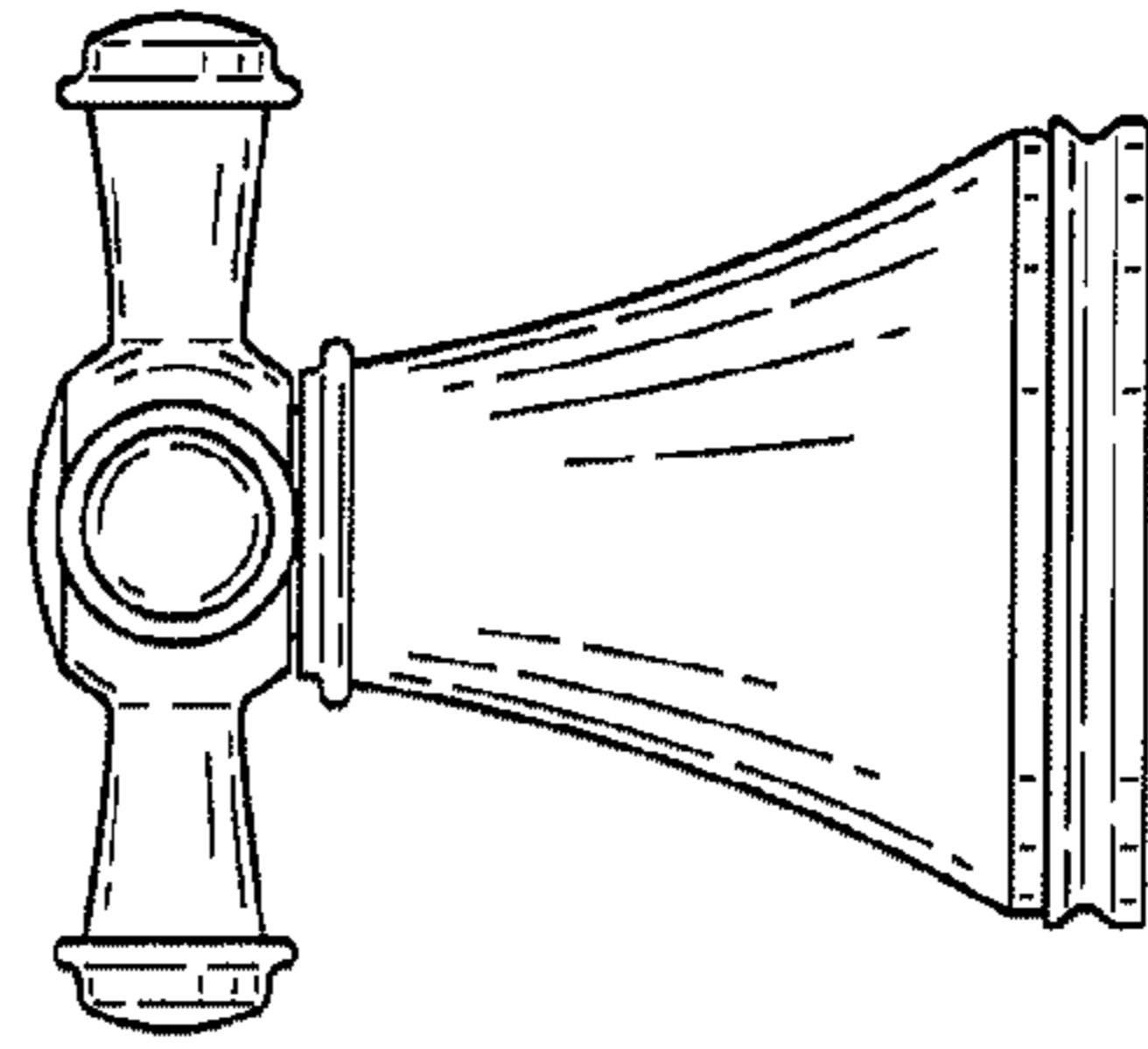
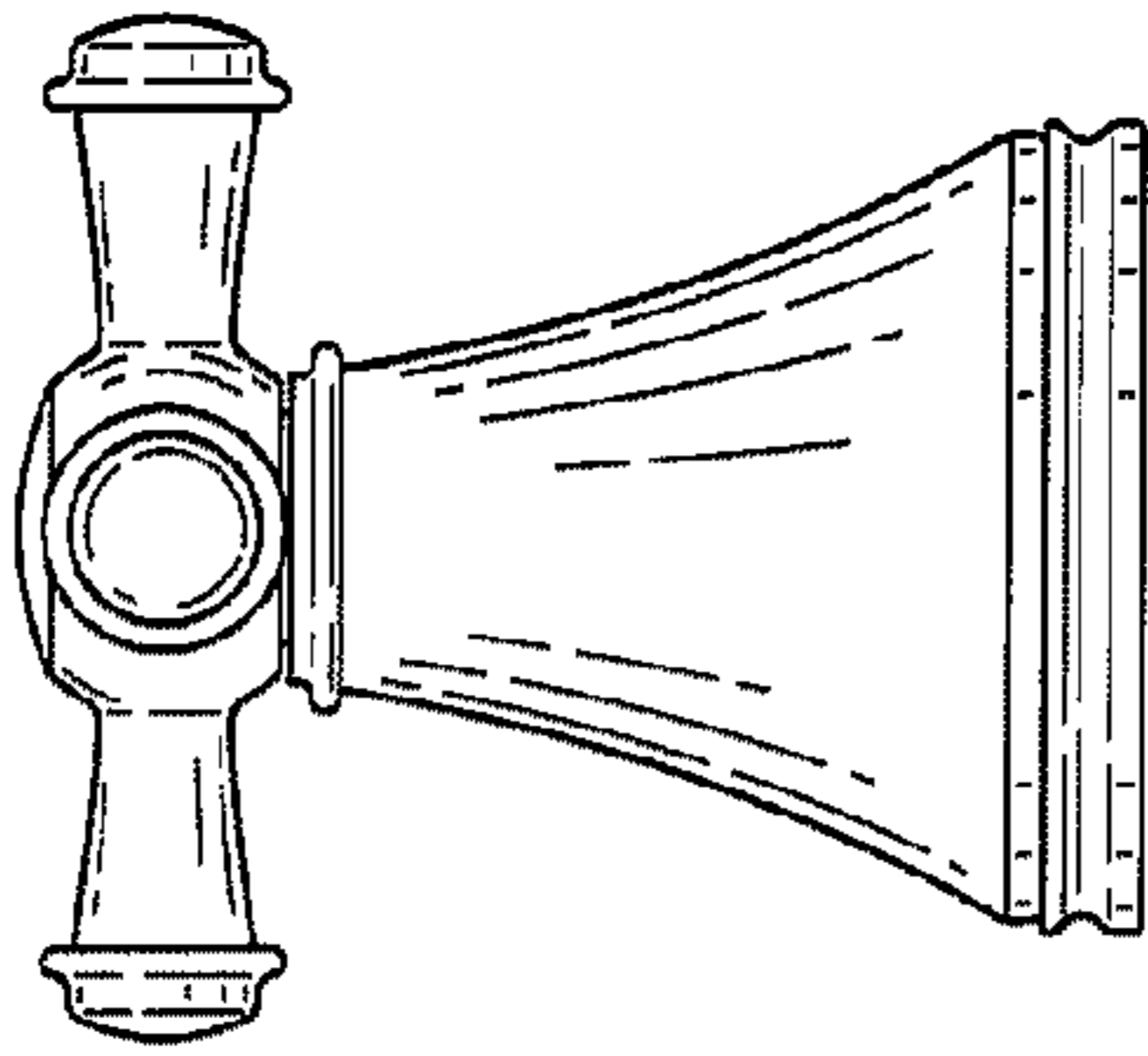


FIG. 2

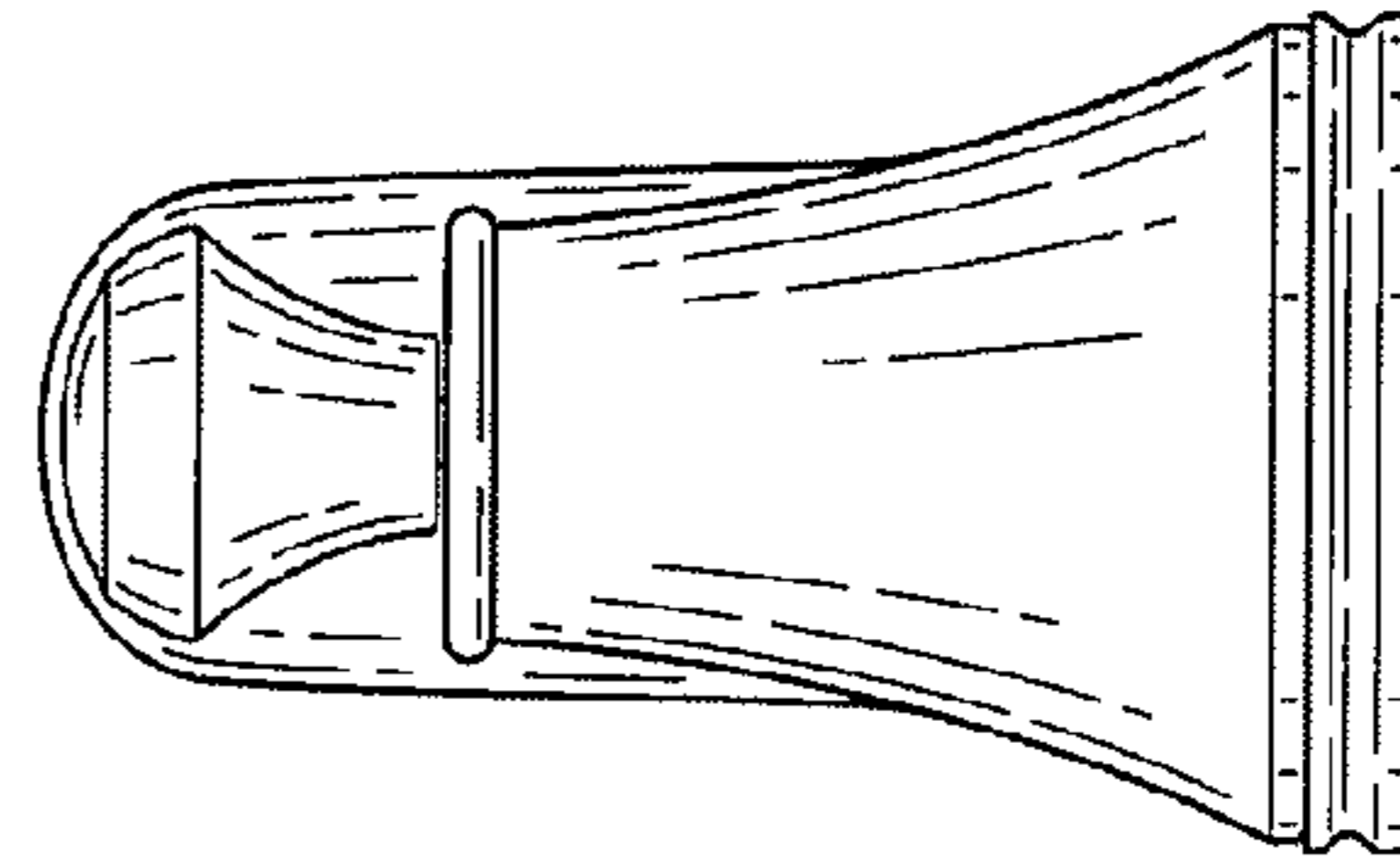
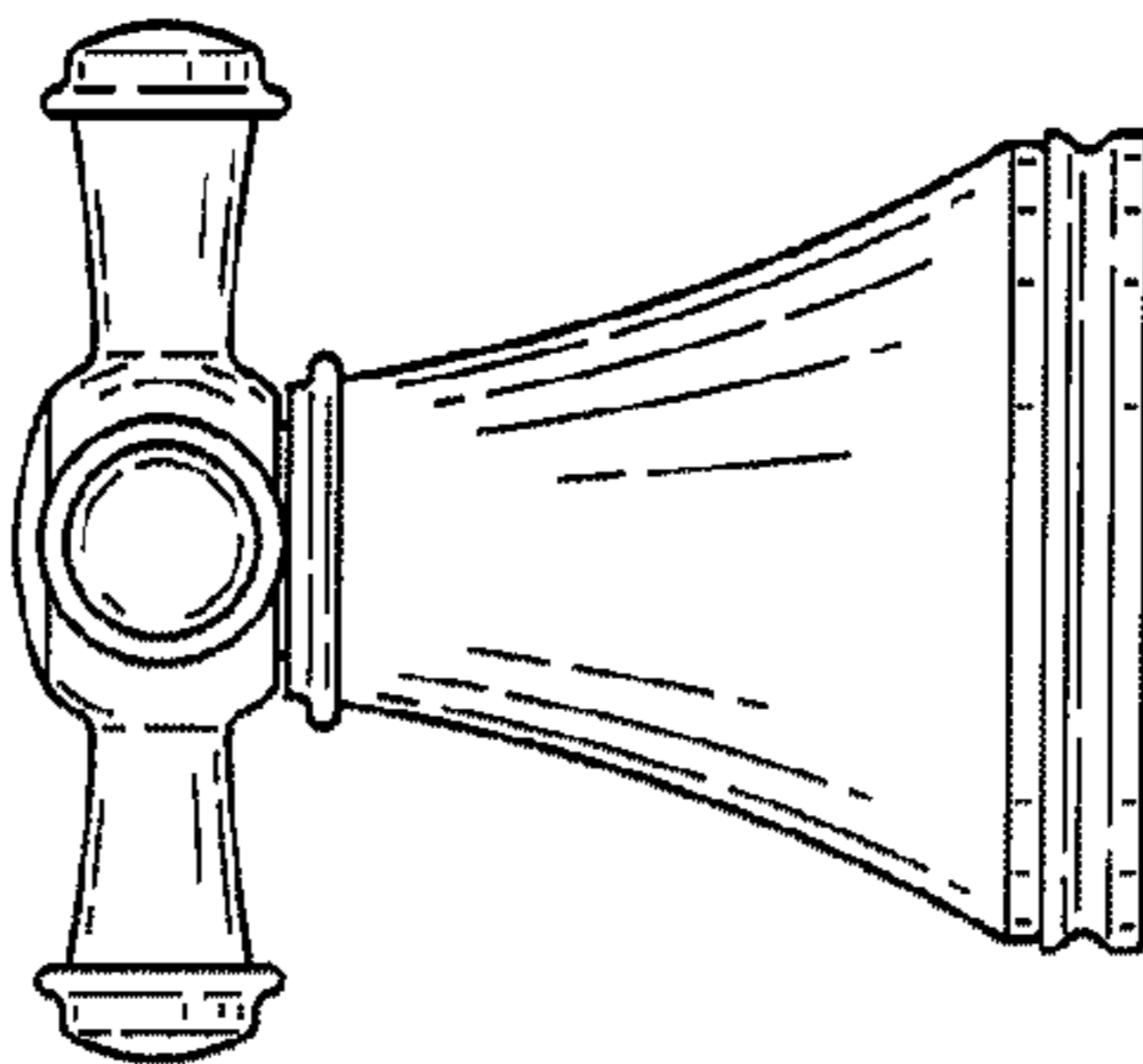
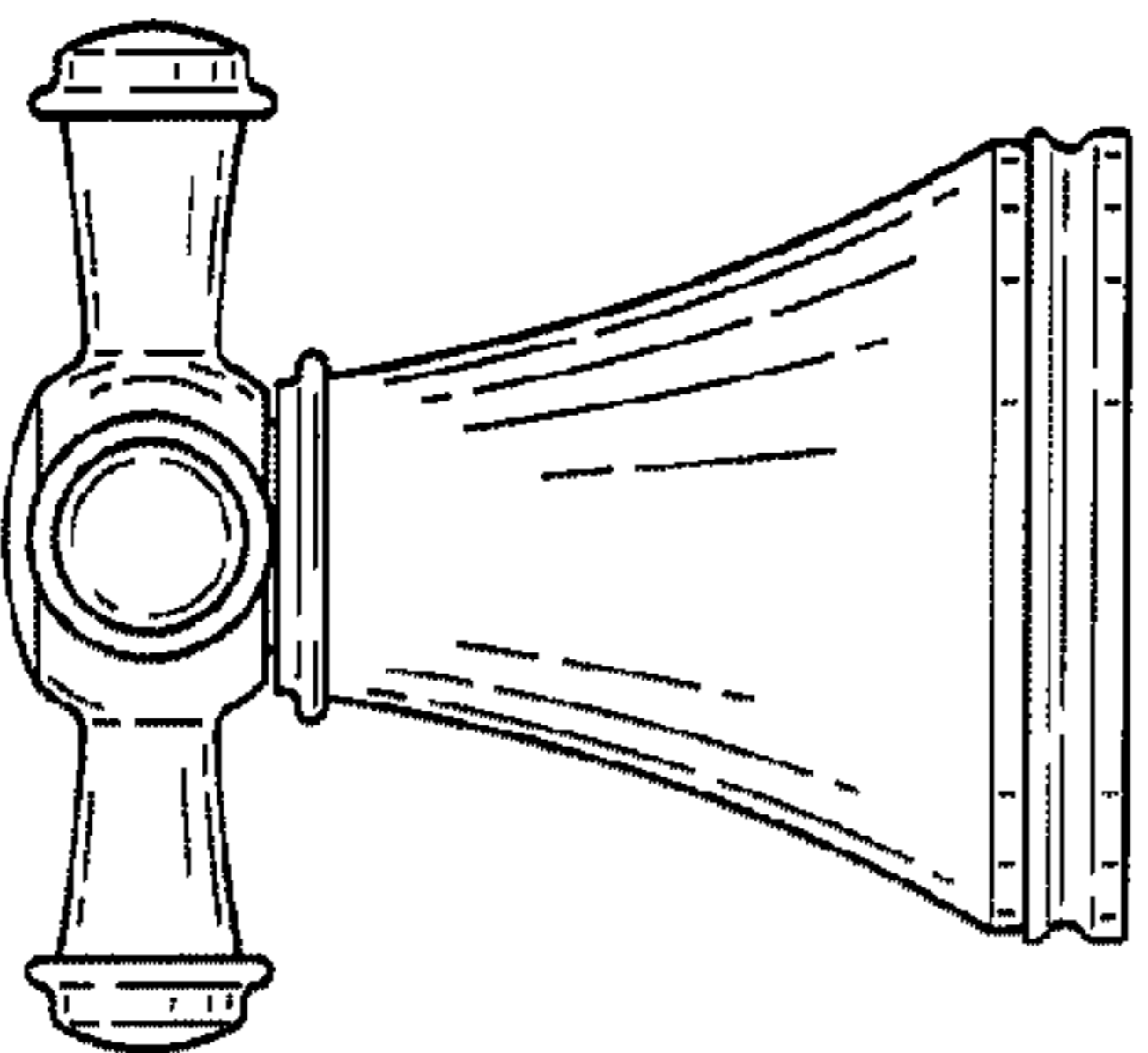


FIG. 3



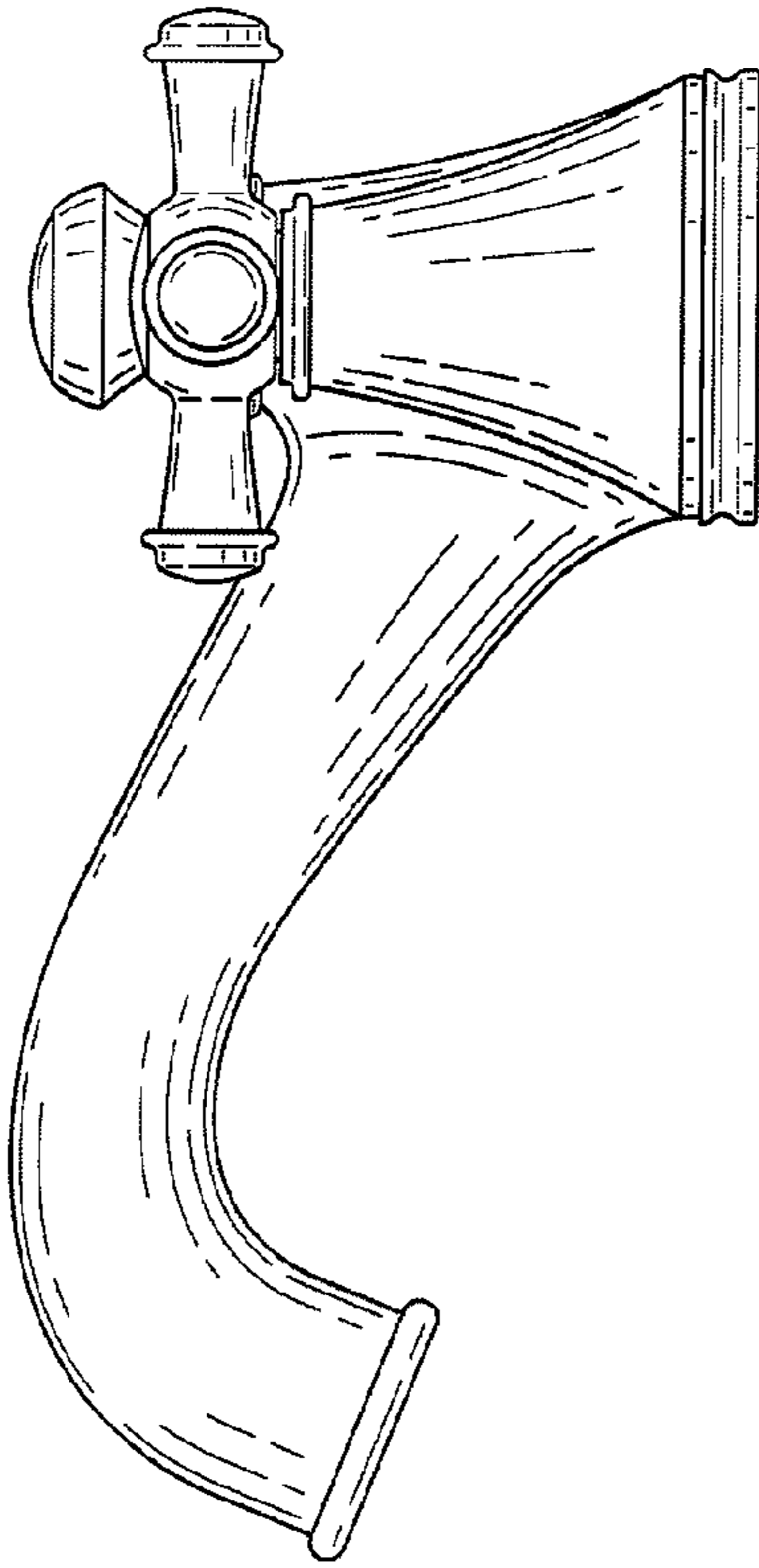


FIG. 5

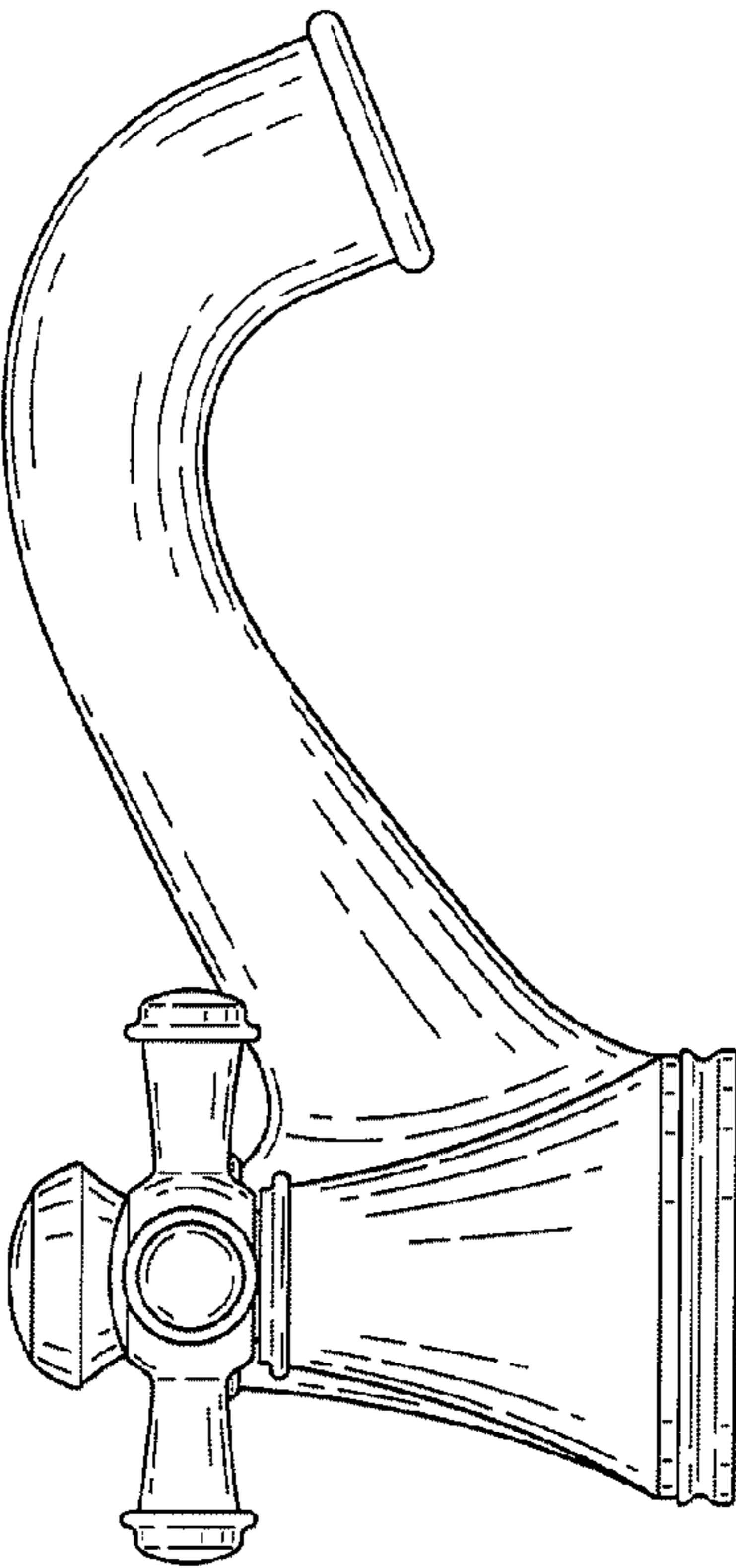


FIG. 4

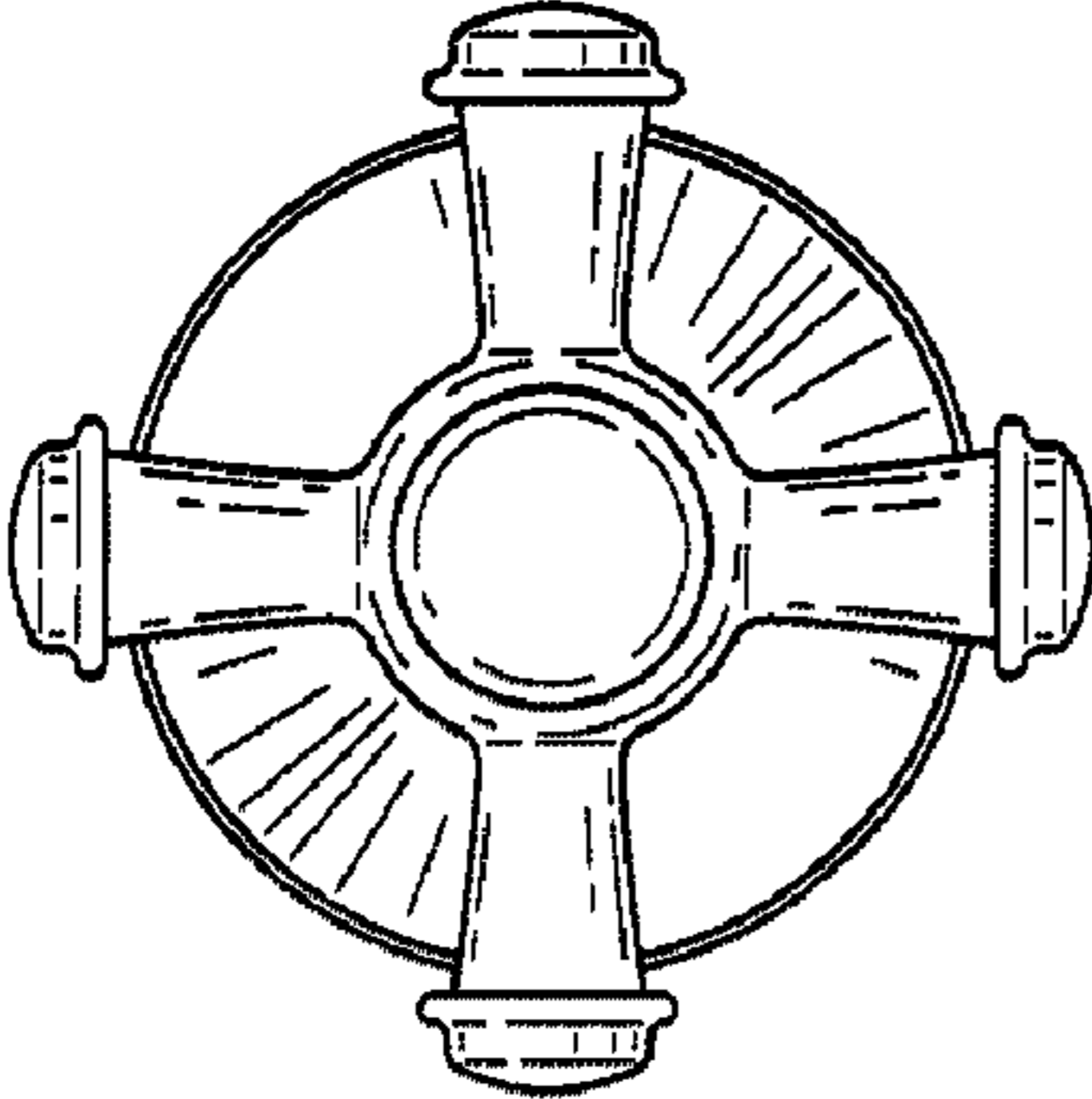
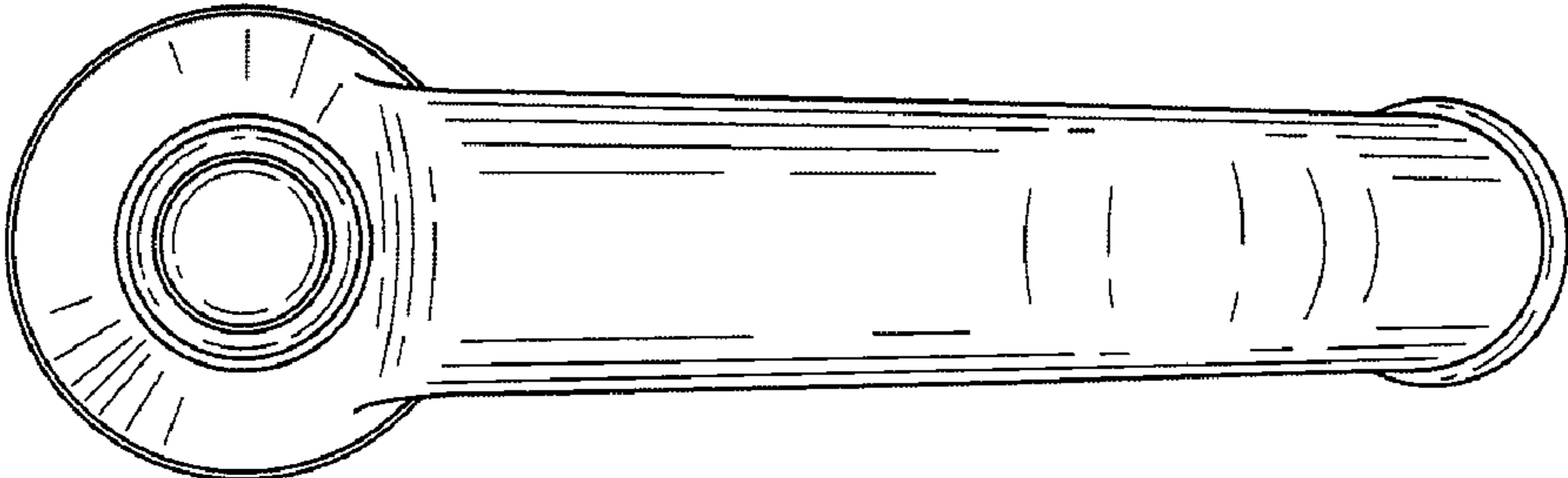
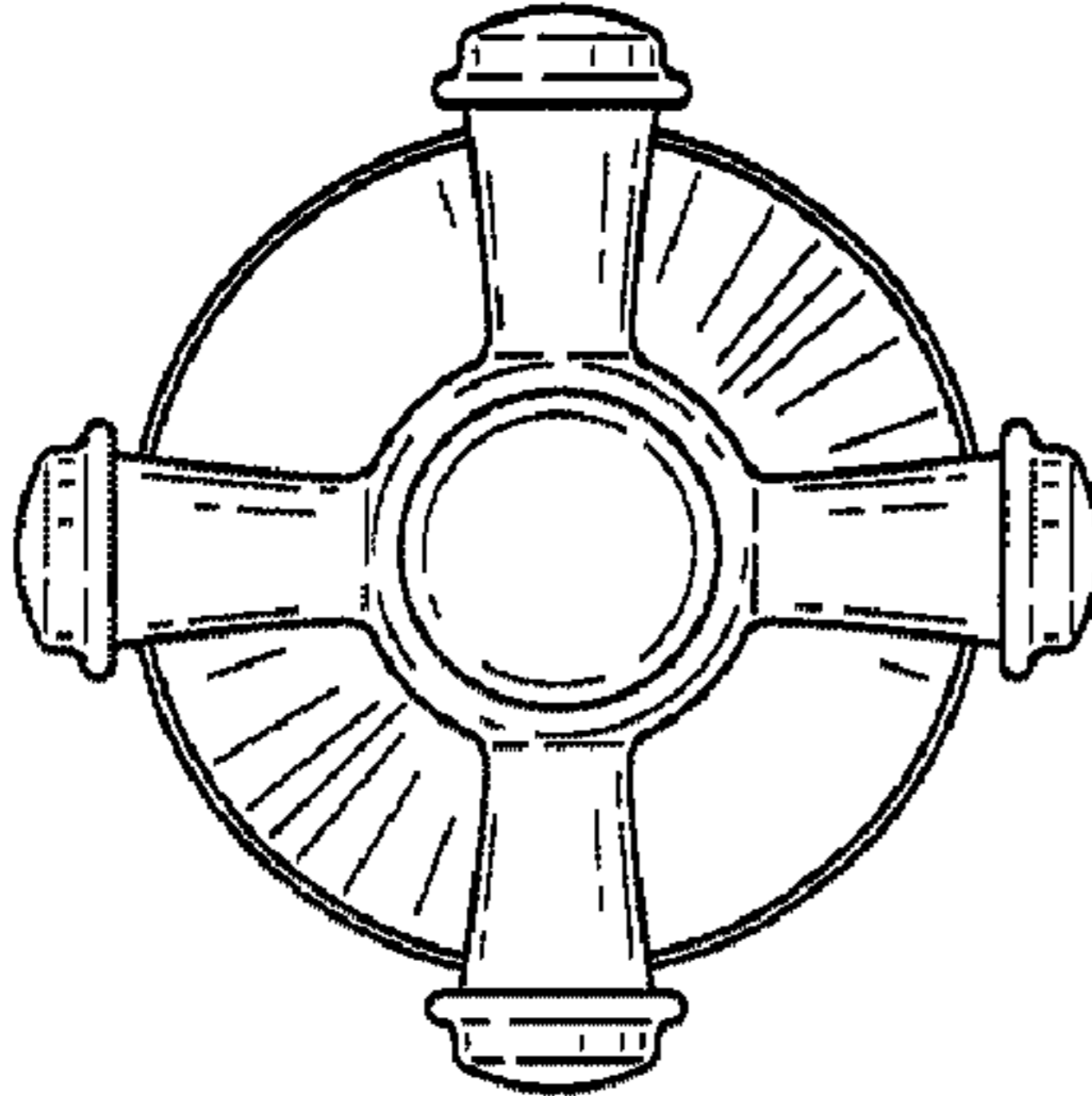


FIG. 6

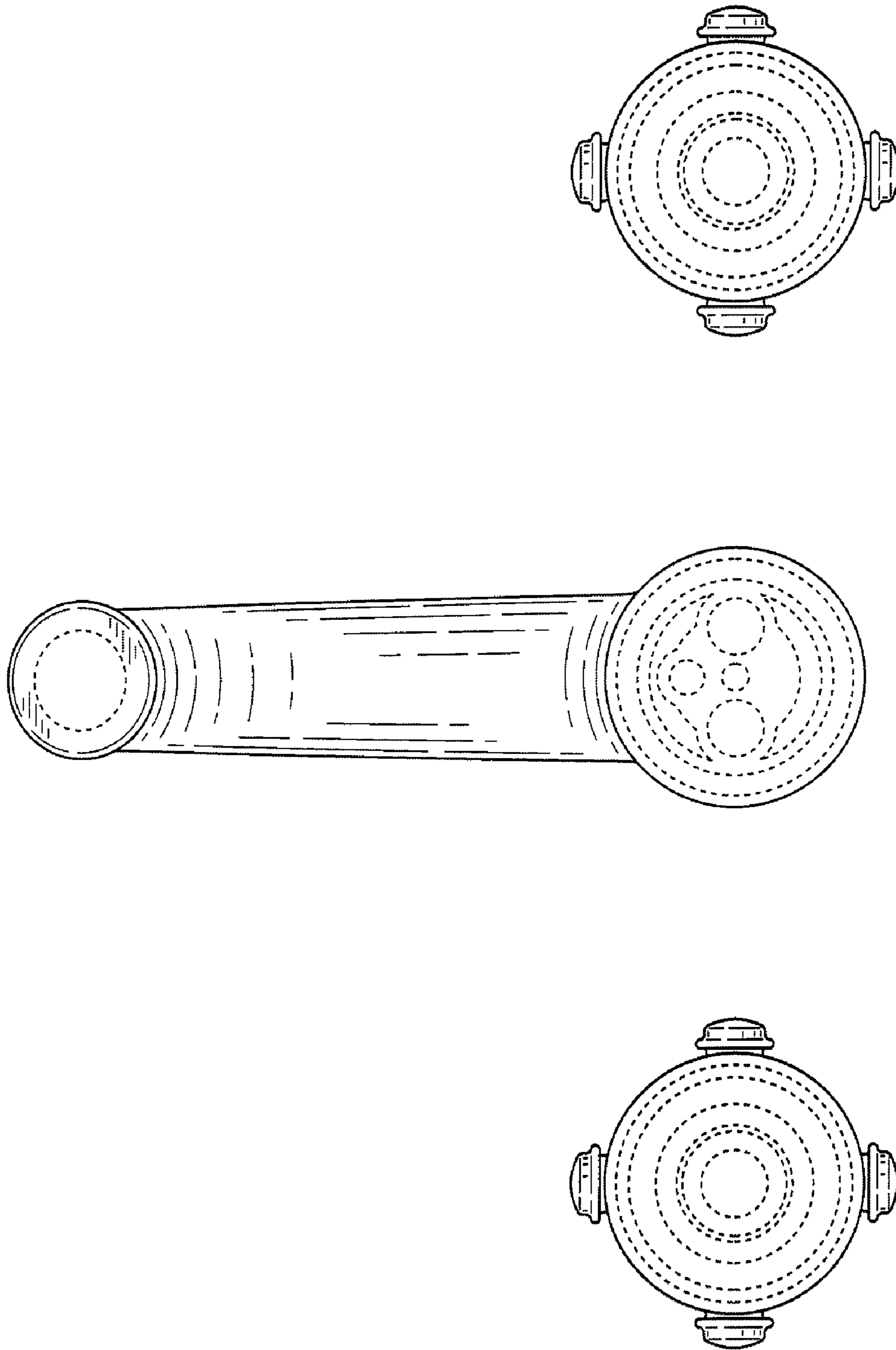


FIG. 7