



US00D655395S

(12) **United States Design Patent**
Obara et al.

(10) **Patent No.:** **US D655,395 S**
(45) **Date of Patent:** **** Mar. 6, 2012**

(54) **FAUCET**

(75) Inventors: **Mitsuya Obara**, Morrow, GA (US); **Lea Mari Mendoza**, Morrow, GA (US); **Hajime Kakihana**, Fukuoka (JP)

(73) Assignee: **Toto Ltd.**, Kitakyushu-shi, Fukuoka (JP)

(**) Term: **14 Years**

(21) Appl. No.: **29/389,468**

(22) Filed: **Apr. 12, 2011**

(51) **LOC (9) Cl.** **02-01**

(52) **U.S. Cl.** **D23/238**

(58) **Field of Classification Search** D23/255,
D23/257, 238, 242-243, 250, 252, 254; 4/676-678;
137/801

See application file for complete search history.

(56) **References Cited**

U.S. PATENT DOCUMENTS

D599,439 S * 9/2009 Miyamoto D23/238
(Continued)

Primary Examiner — Robert Delehanty

(74) *Attorney, Agent, or Firm* — Banner & Witcoff, Ltd

(57) **CLAIM**

The ornamental design for a faucet, as shown and described.

DESCRIPTION

FIG. 1 is a perspective view of front, top plan and right side of a faucet according to our new design;

FIG. 2 is a front view thereof;

FIG. 3 is a rear view thereof;

FIG. 4 is a left side view thereof;

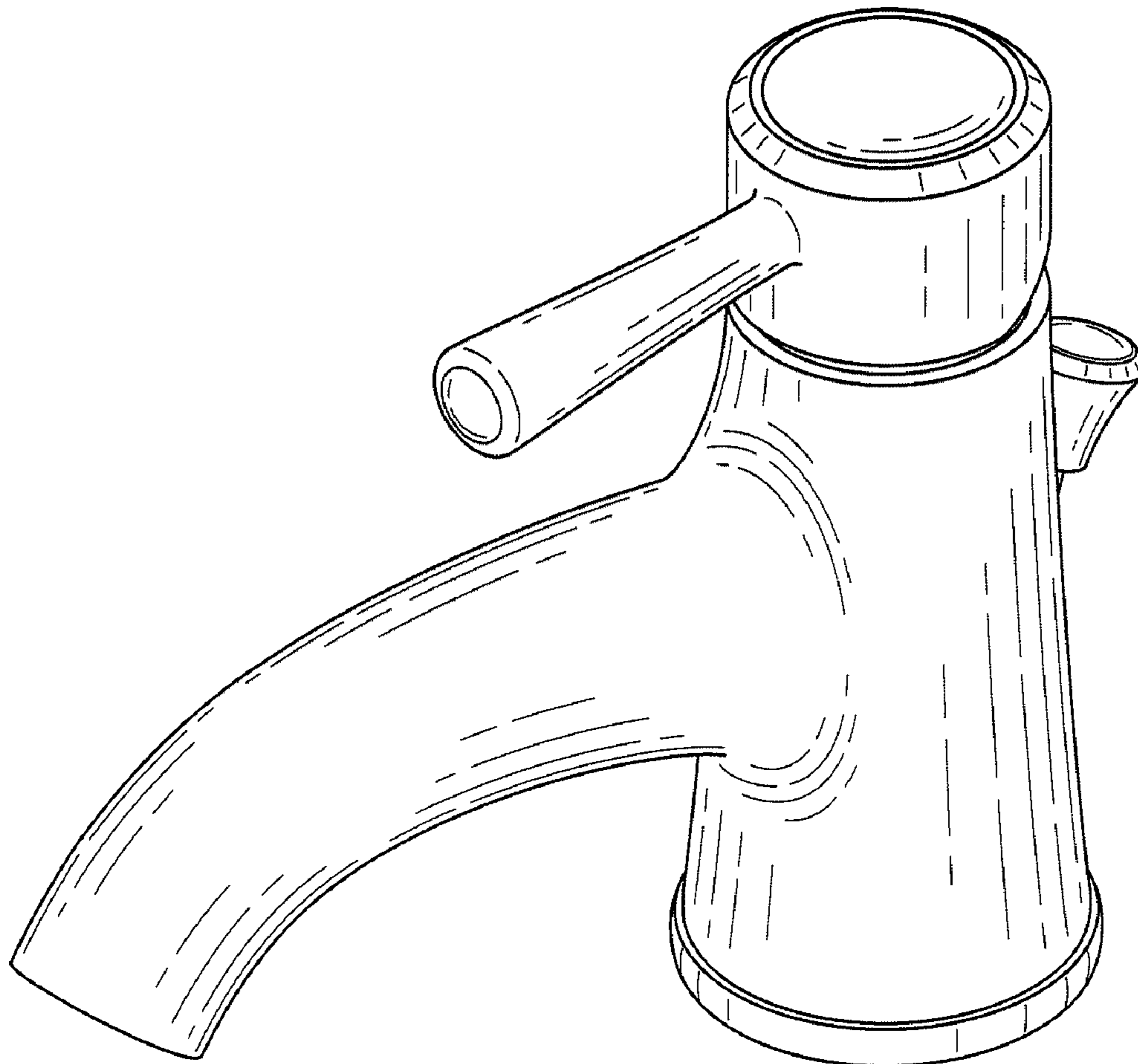
FIG. 5 is a right side view thereof;

FIG. 6 is a top plan view thereof; and,

FIG. 7 is a bottom view thereof.

The portions of the article in broken lines are shown for illustrative purposes only and form no part of the claimed design.

1 Claim, 4 Drawing Sheets



US D655,395 S

Page 2

U.S. PATENT DOCUMENTS

D609,308 S * 2/2010 Fritz et al. D23/238 * cited by examiner

D632,365 S * 2/2011 Choi D23/238

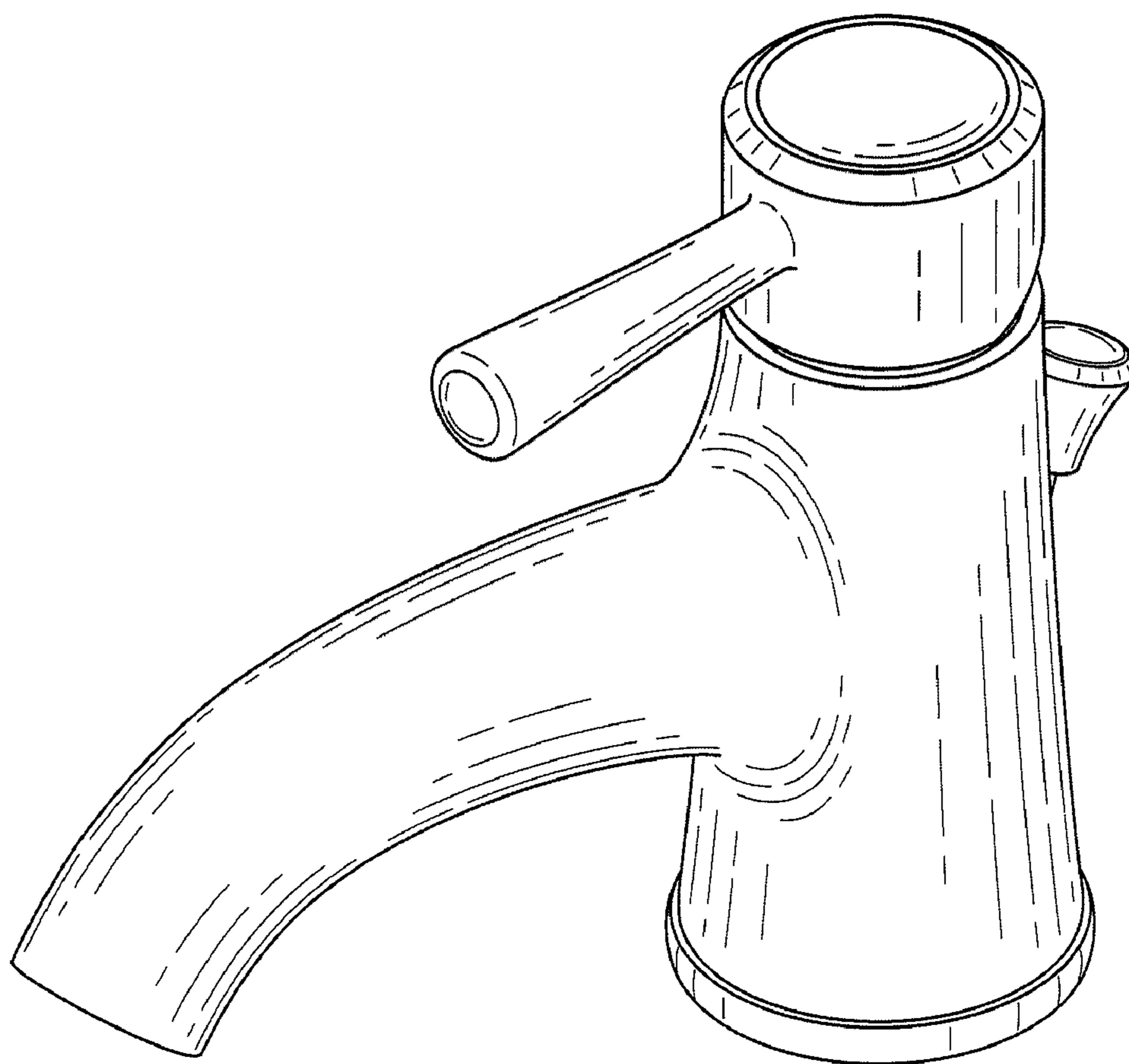


FIG. 1

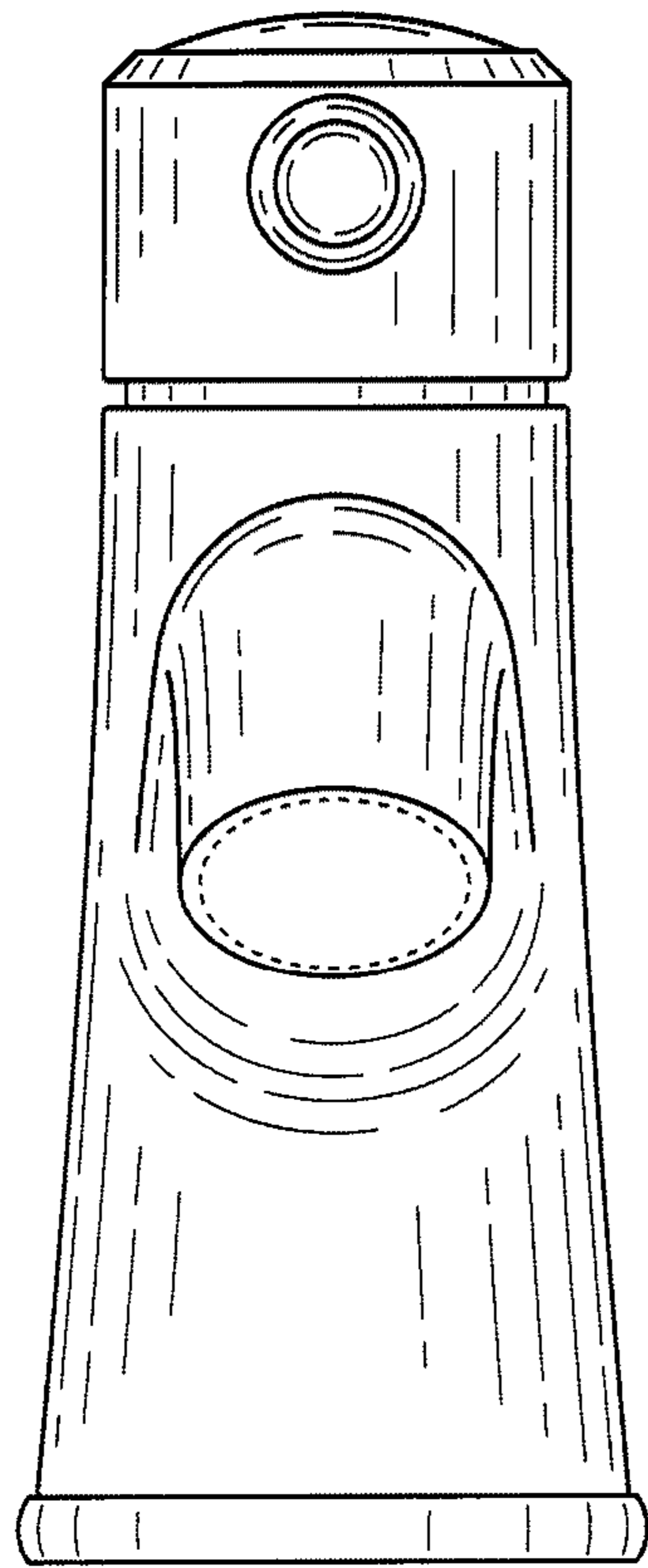


FIG. 2

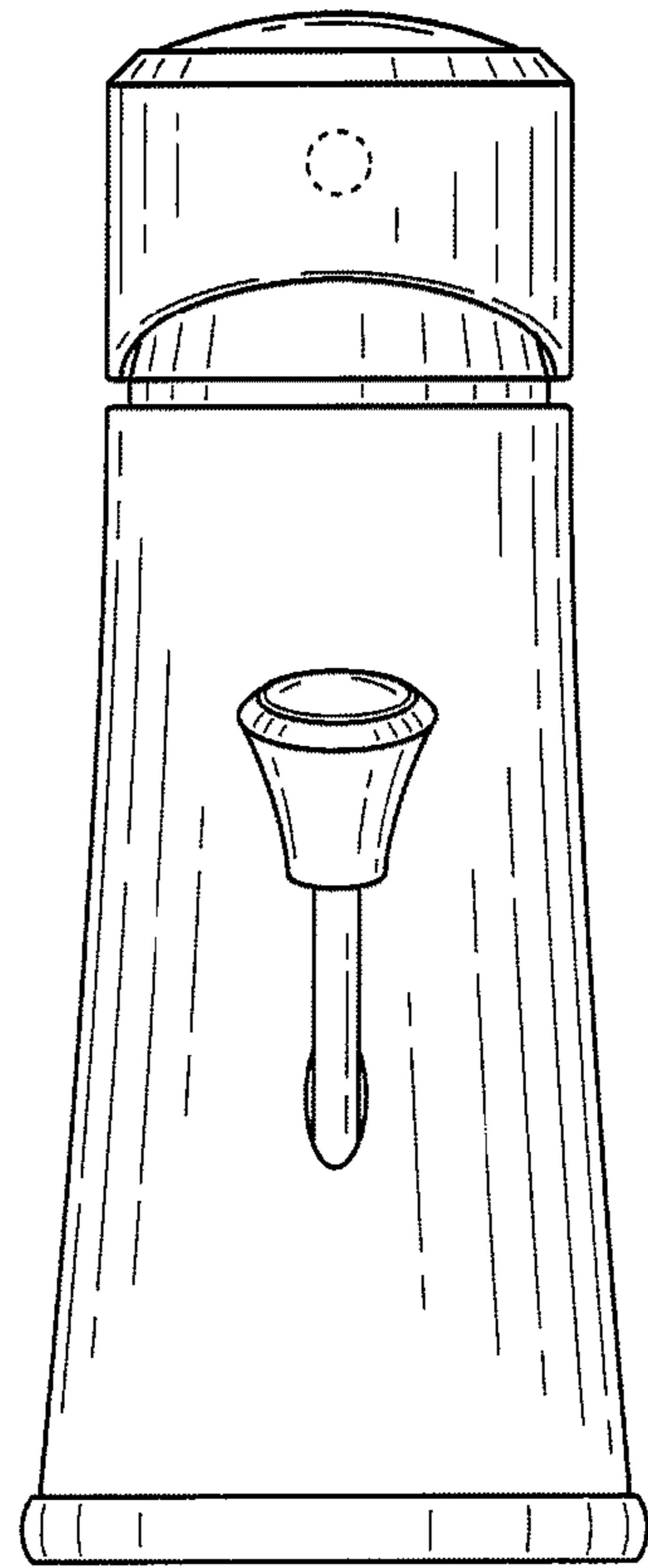
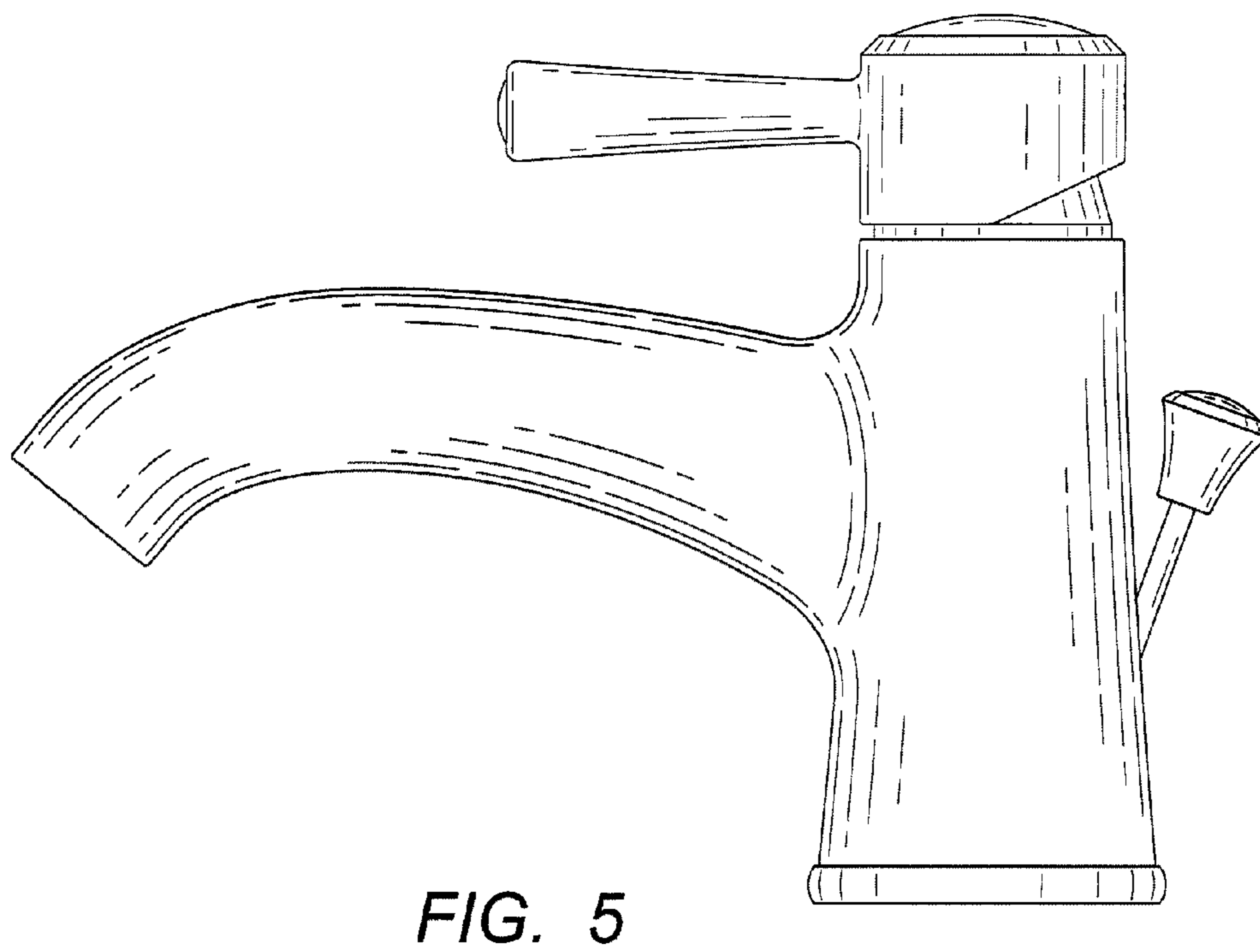
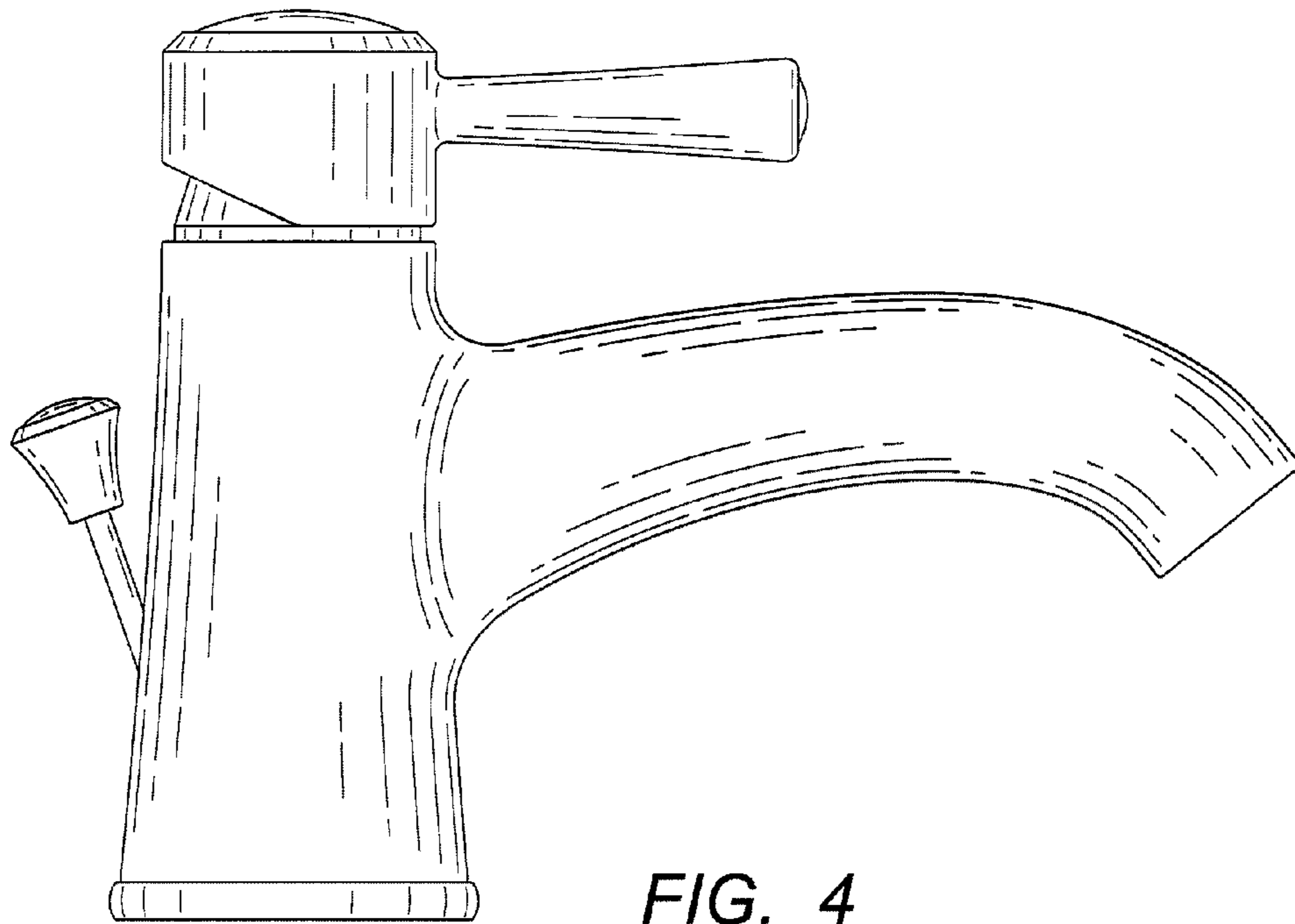


FIG. 3



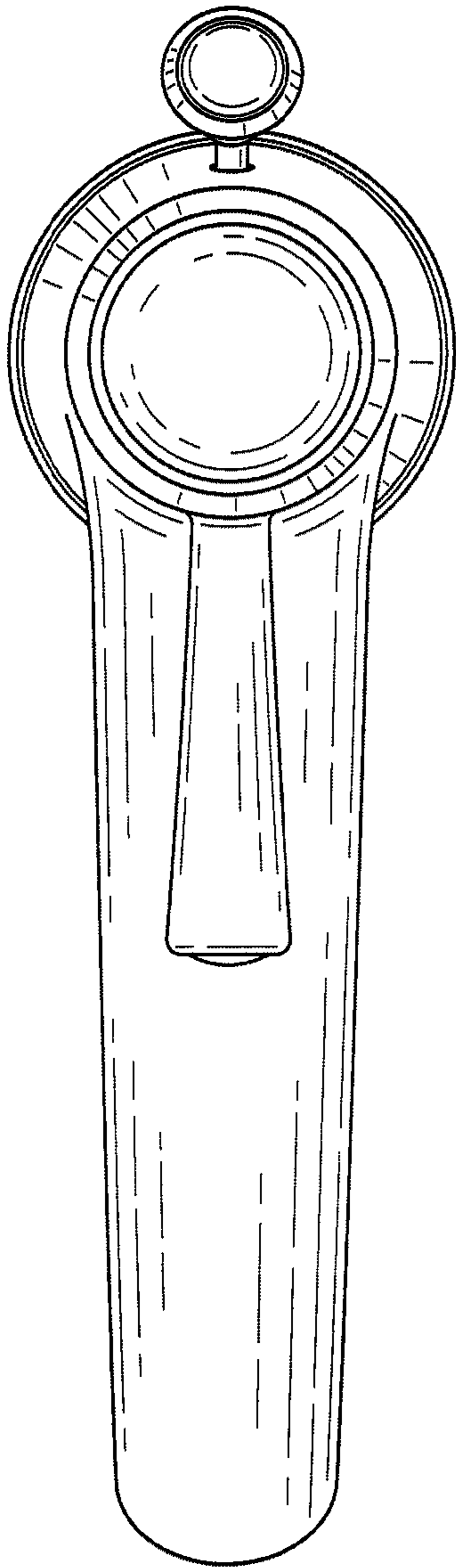


FIG. 6

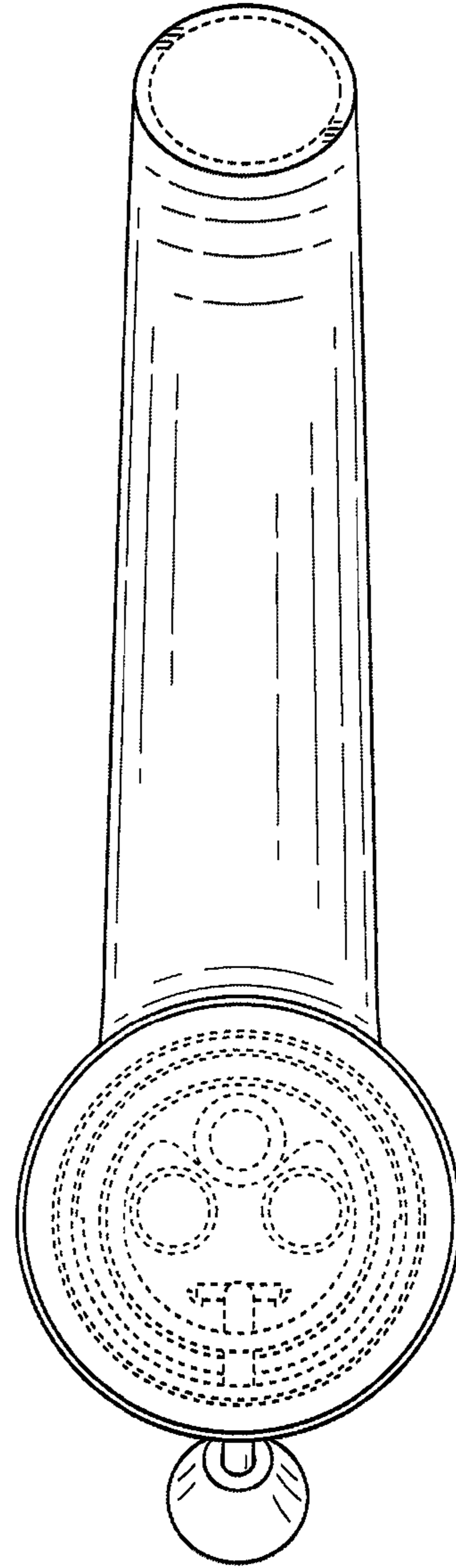


FIG. 7