



US00D655391S

(12) **United States Design Patent**
Chen

(10) **Patent No.:** **US D655,391 S**
(45) **Date of Patent:** **** Mar. 6, 2012**

(54) **AIR BLOW GUN**

(75) **Inventor:** **Wan-Pao Chen**, Chang Hua Hsien (TW)

(73) **Assignee:** **HUI BAO ENTERPRISE Co., Ltd.**,
Chang Hua Hsien (TW)

(**) **Term:** **14 Years**

(21) **Appl. No.:** **29/392,823**

(22) **Filed:** **May 26, 2011**

(51) **LOC (9) Cl.** **23-01**

(52) **U.S. Cl.** **D23/226**

(58) **Field of Classification Search** D23/213,
D23/223, 226; 239/525, 526, 20, 291
See application file for complete search history.

(56) **References Cited**

U.S. PATENT DOCUMENTS

D283,535 S *	4/1986	Truchet	D23/226
D376,839 S *	12/1996	Hung	D23/226
D469,850 S *	2/2003	Nien	D23/226
D475,122 S *	5/2003	Kuo	D23/226

D507,036 S *	7/2005	Khaitov	D23/226
D572,339 S *	7/2008	Georgel	D23/223
D615,157 S *	5/2010	Chen	D23/226
D627,035 S *	11/2010	Evar	D23/226
D642,239 S *	7/2011	Liao	D23/213

* cited by examiner

Primary Examiner — Robin V Webster

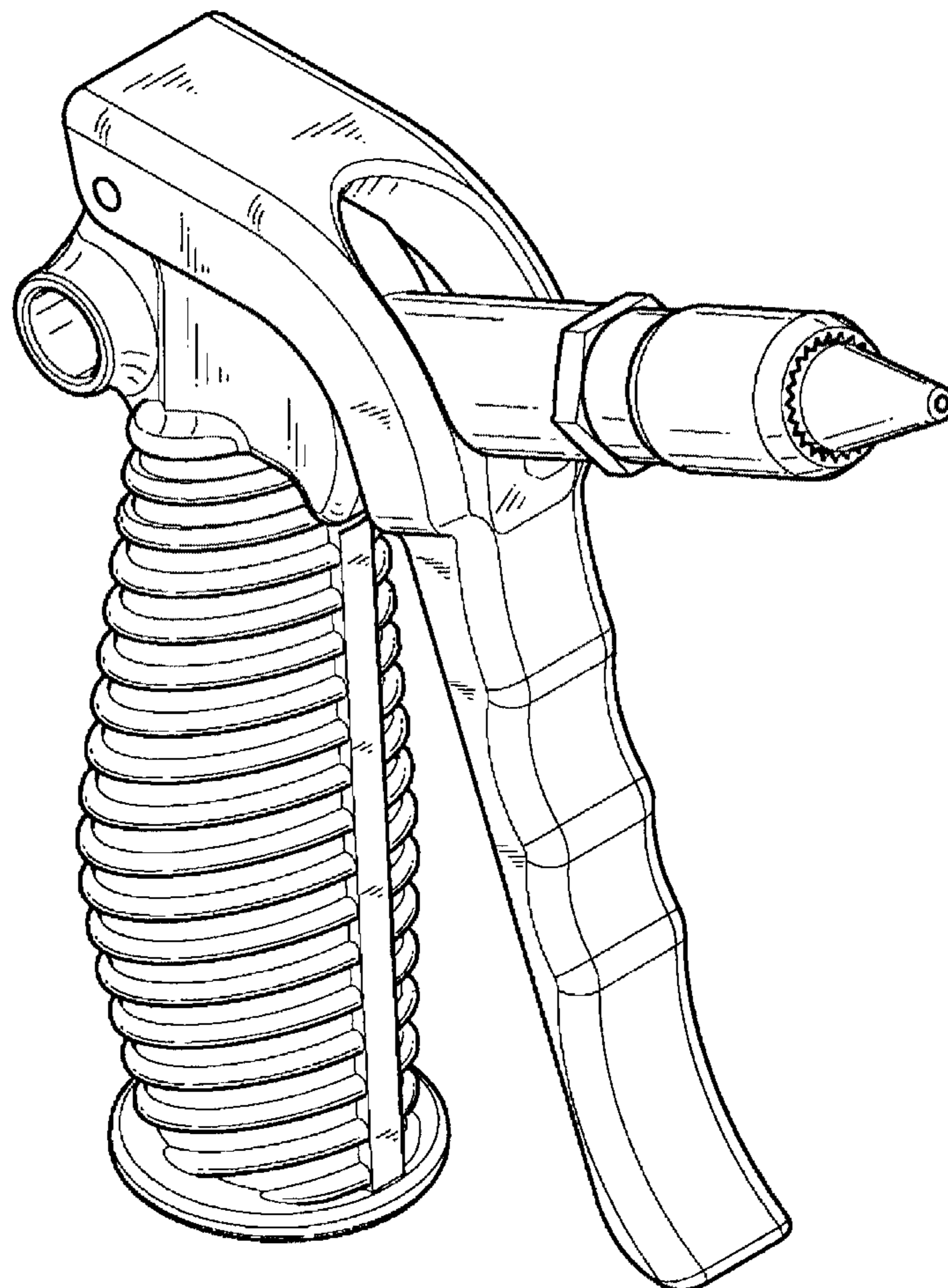
(57) **CLAIM**

The ornamental design for an air blow gun, as shown and described.

DESCRIPTION

FIG. 1 is a perspective view of an air blow gun showing my new design;
FIG. 2 is a front elevational view thereof;
FIG. 3 is a rear elevational view thereof;
FIG. 4 is a left side elevational view thereof;
FIG. 5 is a right side elevational view thereof;
FIG. 6 is a top plan view thereof; and,
FIG. 7 is a bottom plan view thereof.

1 Claim, 7 Drawing Sheets



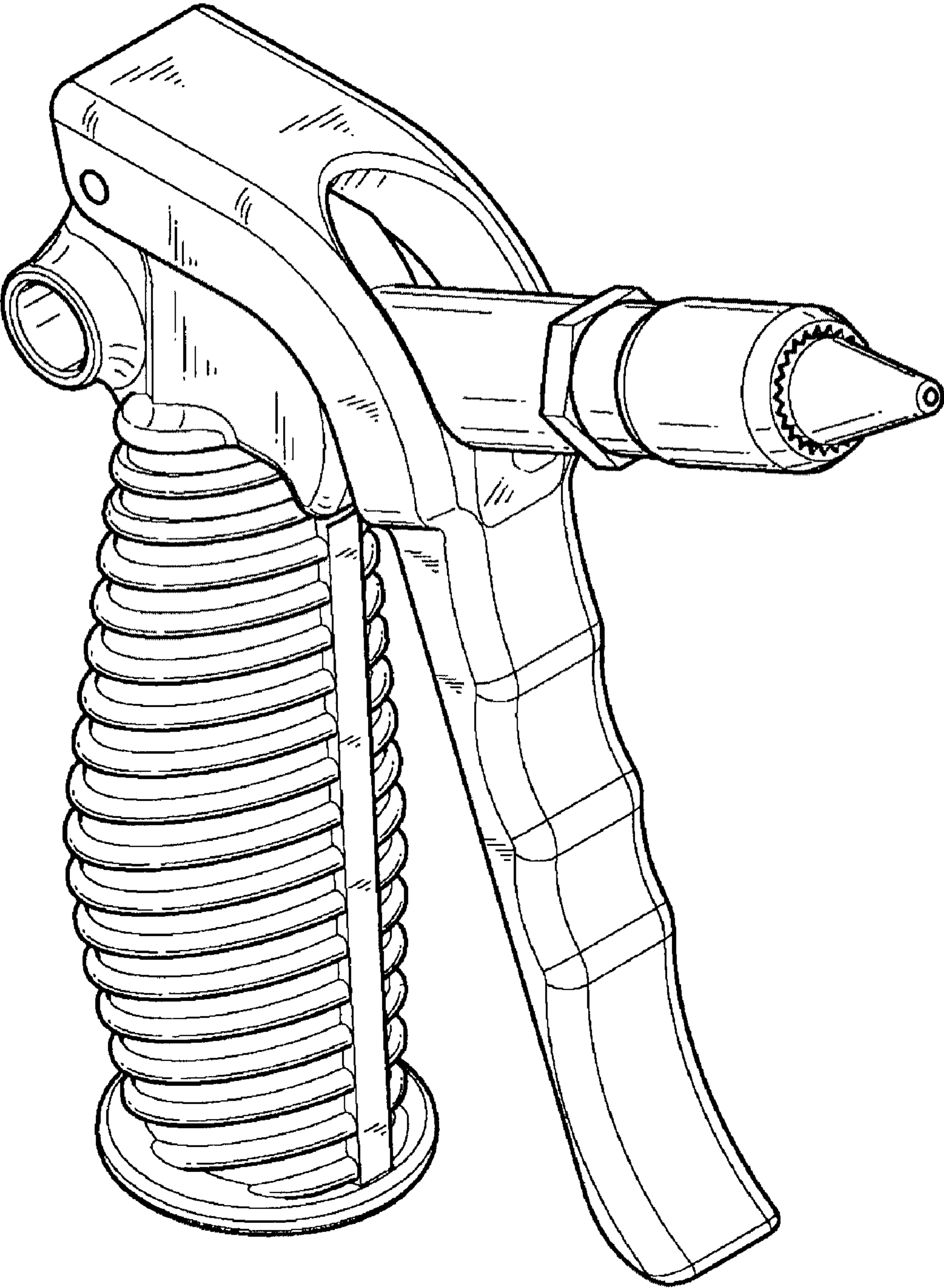


FIG. 1

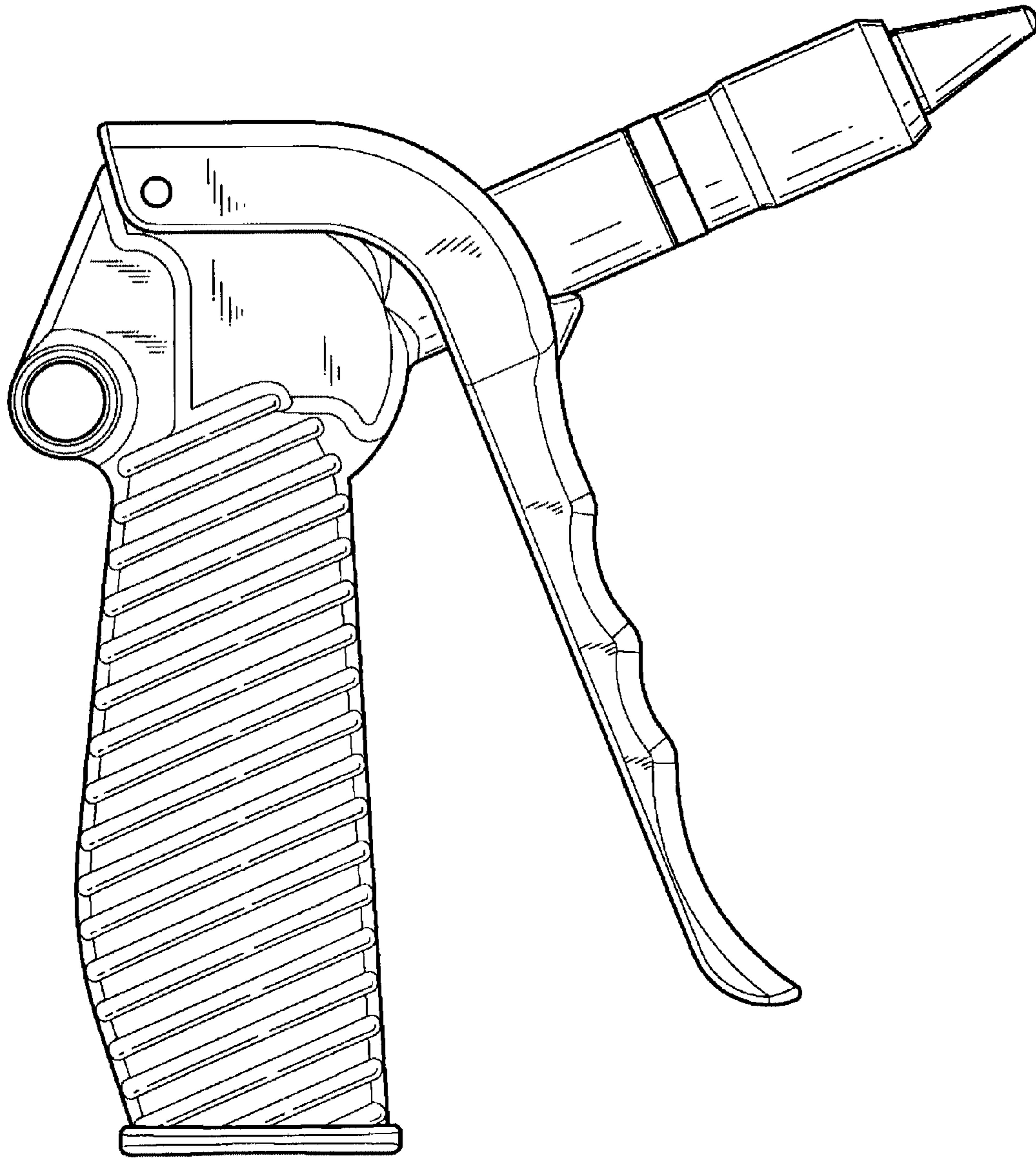


FIG. 2

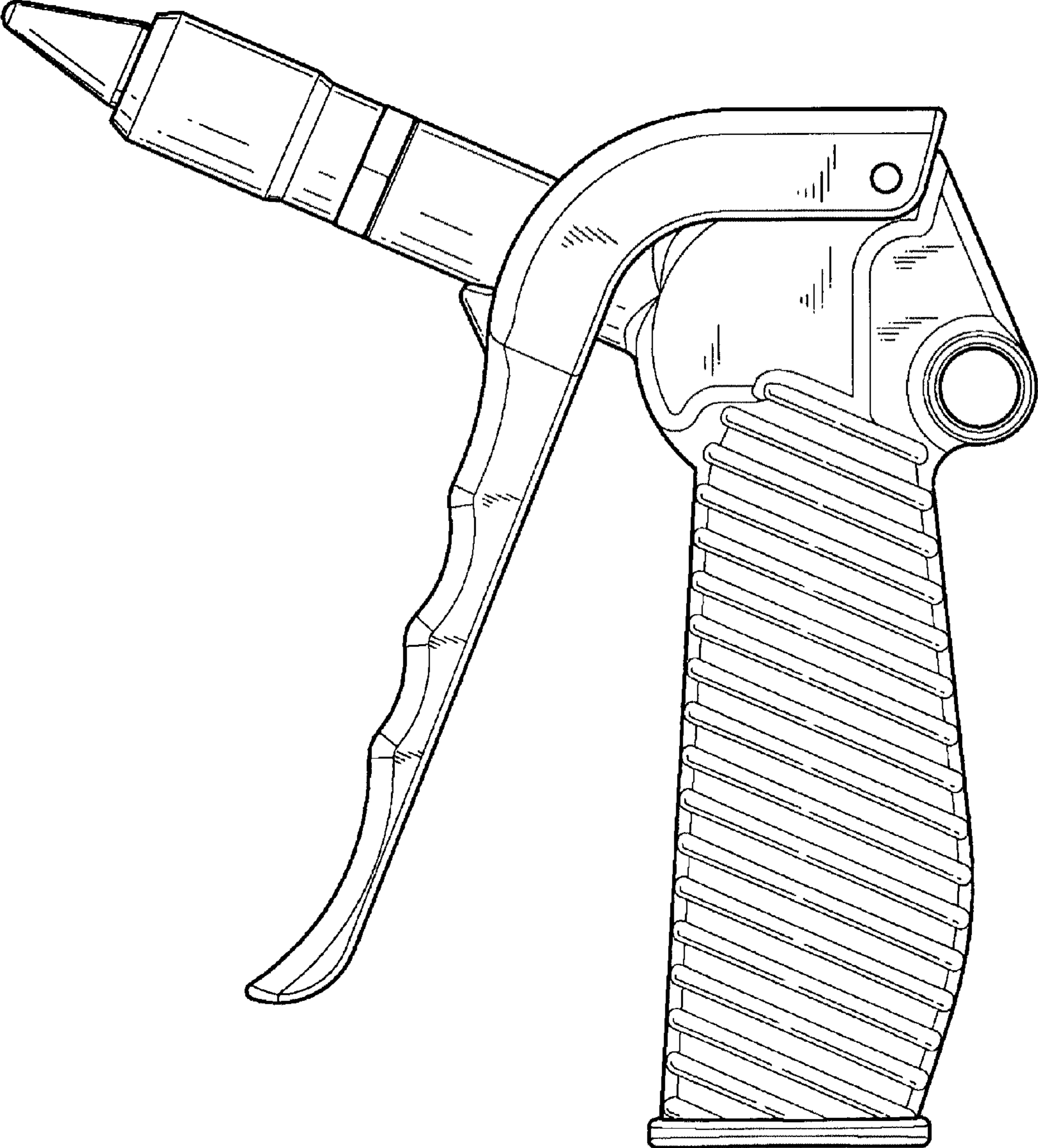


FIG. 3

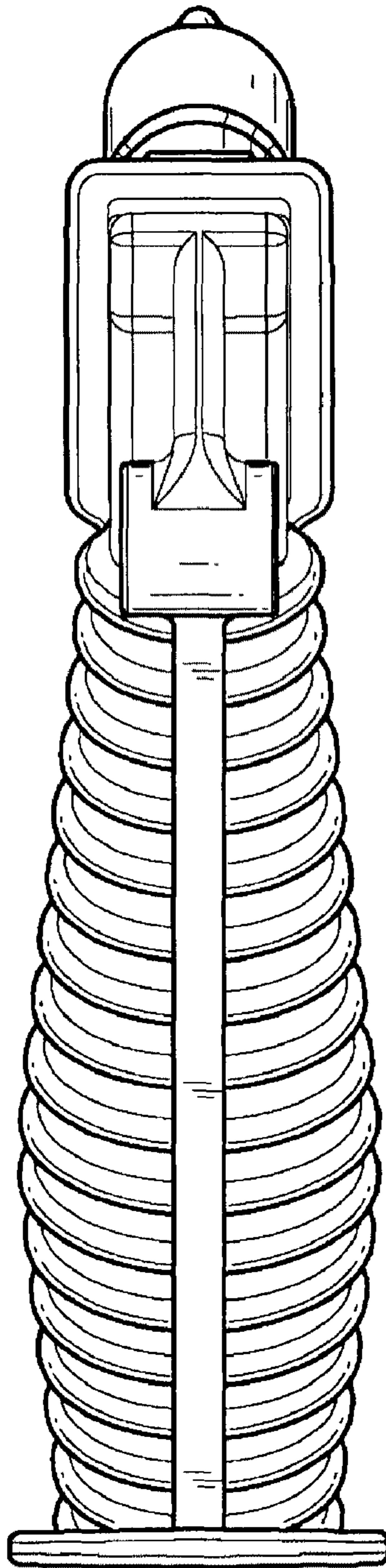


FIG. 4

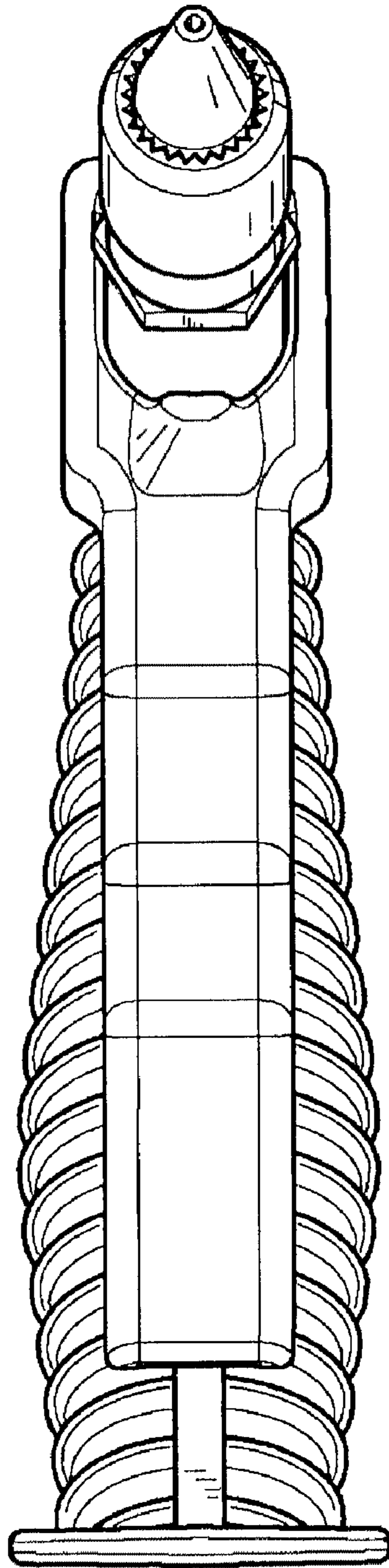


FIG. 5

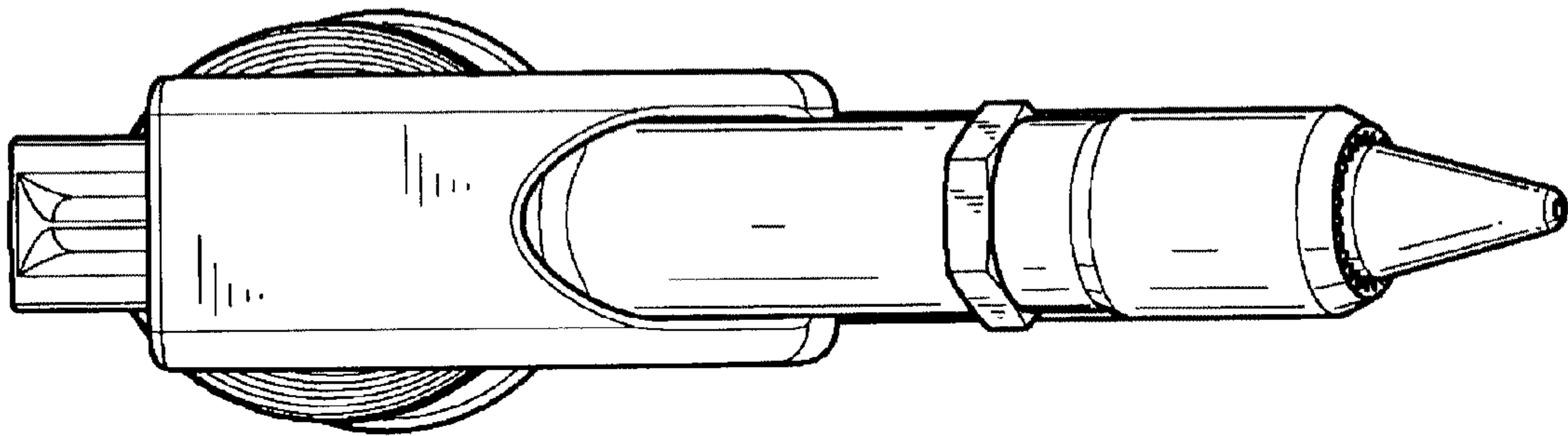


FIG. 6

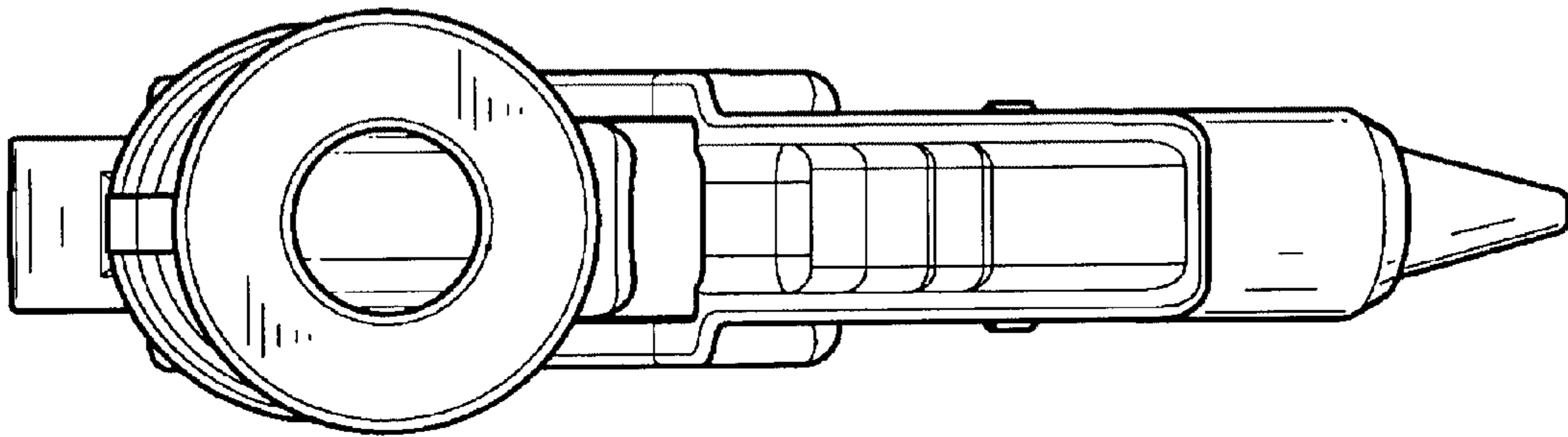


FIG. 7