



US00D655389S

(12) **United States Design Patent**  
**Schoenherr et al.**

(10) **Patent No.:** **US D655,389 S**  
(45) **Date of Patent:** **\*\* Mar. 6, 2012**

(54) **HANDHELD SHOWER**

(75) Inventors: **Tom Schoenherr**, Stuttgart (DE);  
**Matthias Oesterle**, Winterbach (DE)

(73) Assignee: **Hansgrohe AG**, Schiltach (DE)

(\*\*) Term: **14 Years**

(21) Appl. No.: **29/398,157**

(22) Filed: **Jul. 27, 2011**

(30) **Foreign Application Priority Data**

Jan. 28, 2011 (EM) ..... 001256952-0002

(51) **LOC (9) Cl.** ..... **23-01**

(52) **U.S. Cl.** ..... **D23/223**

(58) **Field of Classification Search** ..... D23/213,  
D23/223, 229, 230; 239/462, 394; 4/615  
See application file for complete search history.

(56) **References Cited**

**U.S. PATENT DOCUMENTS**

D228,908 S *	10/1973	Juhlin	.....	D23/223
D552,211 S *	10/2007	Toyohara	.....	D23/213
D557,766 S *	12/2007	Hoernig	.....	D23/223
D562,936 S *	2/2008	Garner	.....	D23/213

D575,845 S *	8/2008	Lobermeier et al.	.....	D23/223
D578,181 S *	10/2008	Pan	.....	D23/213
D590,917 S *	4/2009	Schoenherr et al.	.....	D23/223
D594,928 S *	6/2009	Beschi	.....	D23/213
D604,392 S	11/2009	Schoenherr et al.		

\* cited by examiner

*Primary Examiner* — Robin V Webster

(74) *Attorney, Agent, or Firm* — Nirav D. Parikh; Lora J. Graentzdoerffer; Edgar A. Zarins

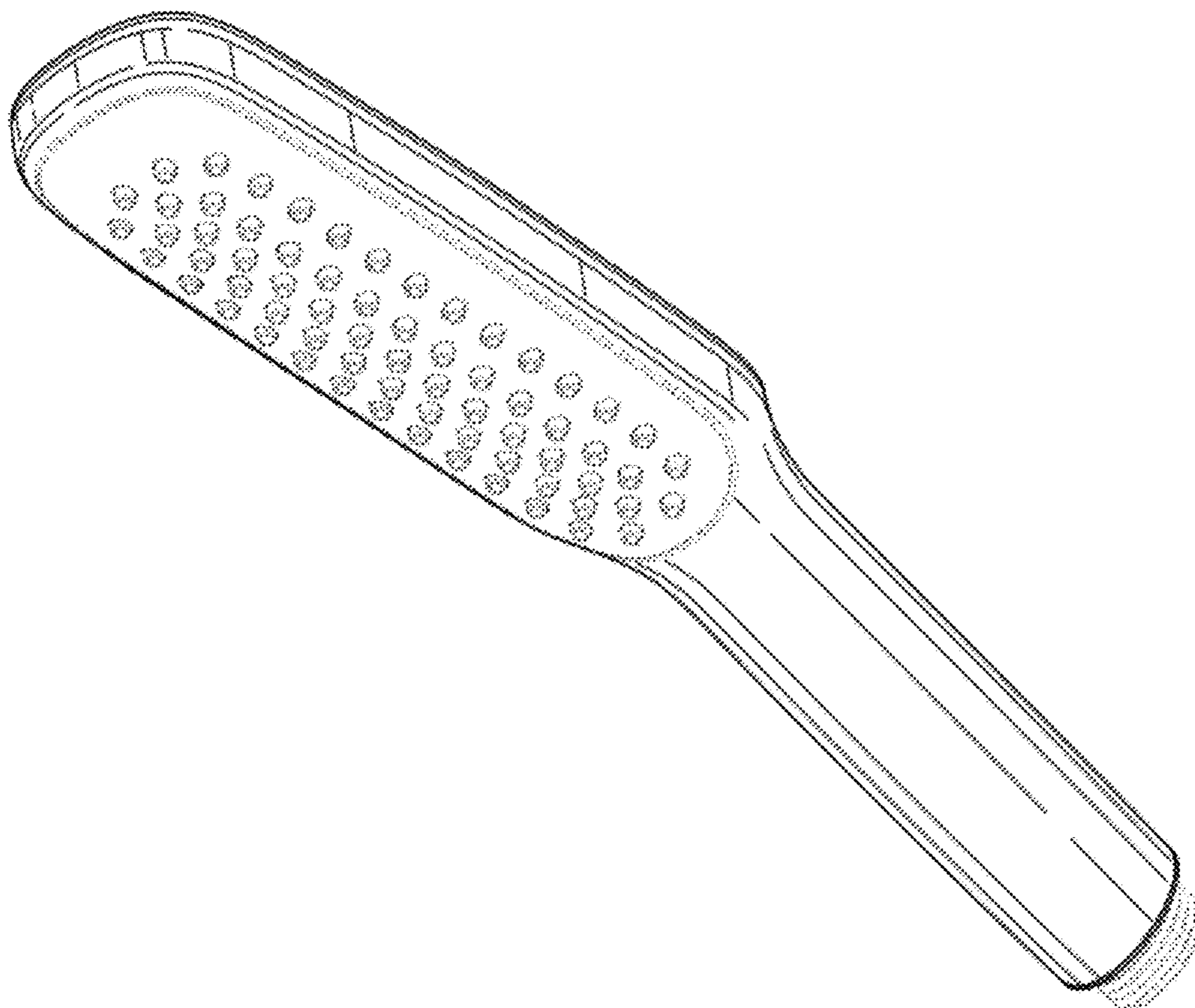
(57) **CLAIM**

The ornamental design for a handheld shower, as shown and described.

**DESCRIPTION**

FIG. 1 is a perspective view of a handheld shower showing our design;  
FIG. 2 is a front elevational view thereof;  
FIG. 3 is a rear elevational view thereof;  
FIG. 4 is a left side elevational view thereof; the right side elevational view being a mirror image thereof;  
FIG. 5 is a top plan view thereof; and,  
FIG. 6 is a bottom plan view thereof.  
The broken lines in the drawings represent unclaimed portions of the design and form no part of the claimed design.

**1 Claim, 6 Drawing Sheets**



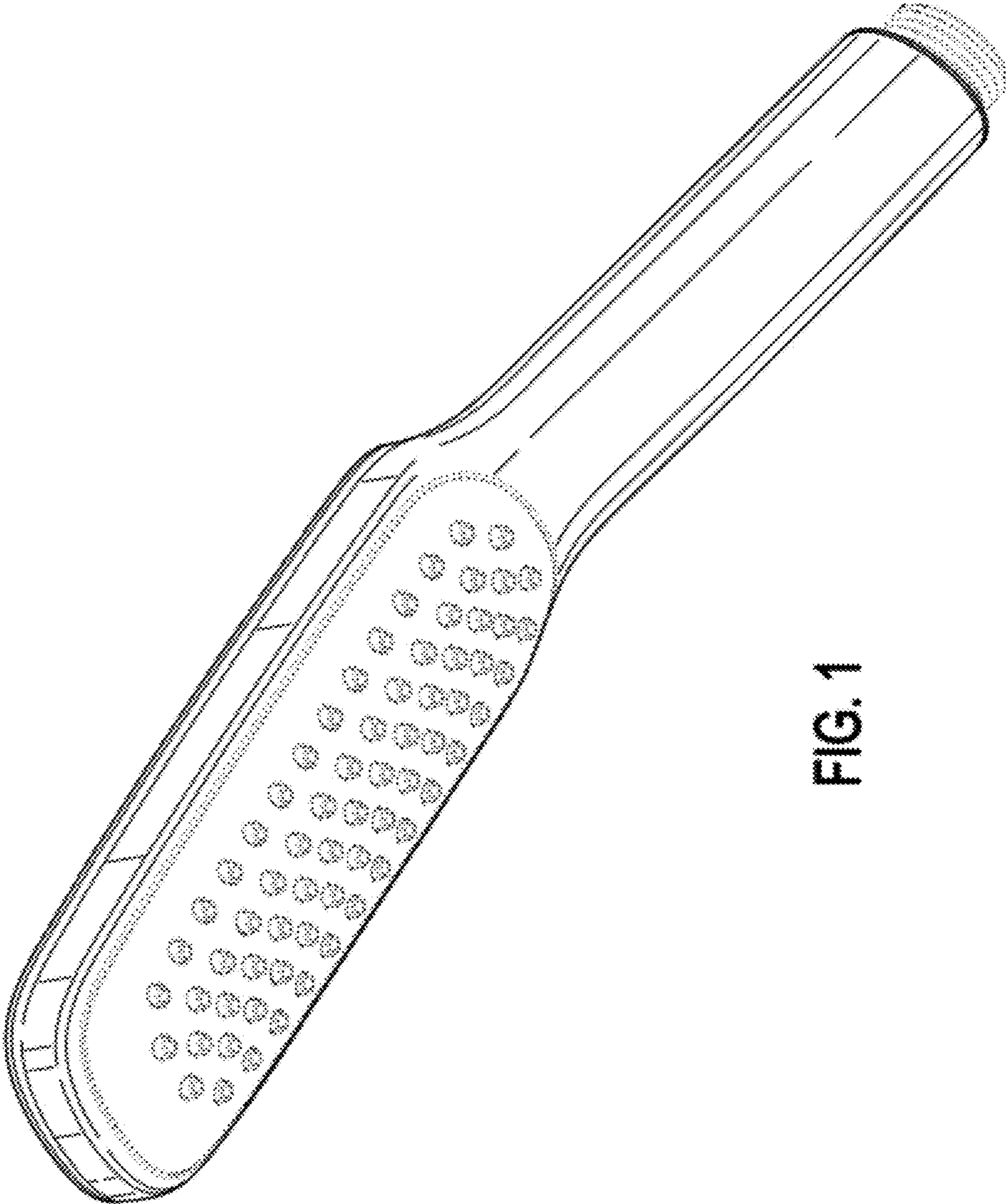


FIG. 1

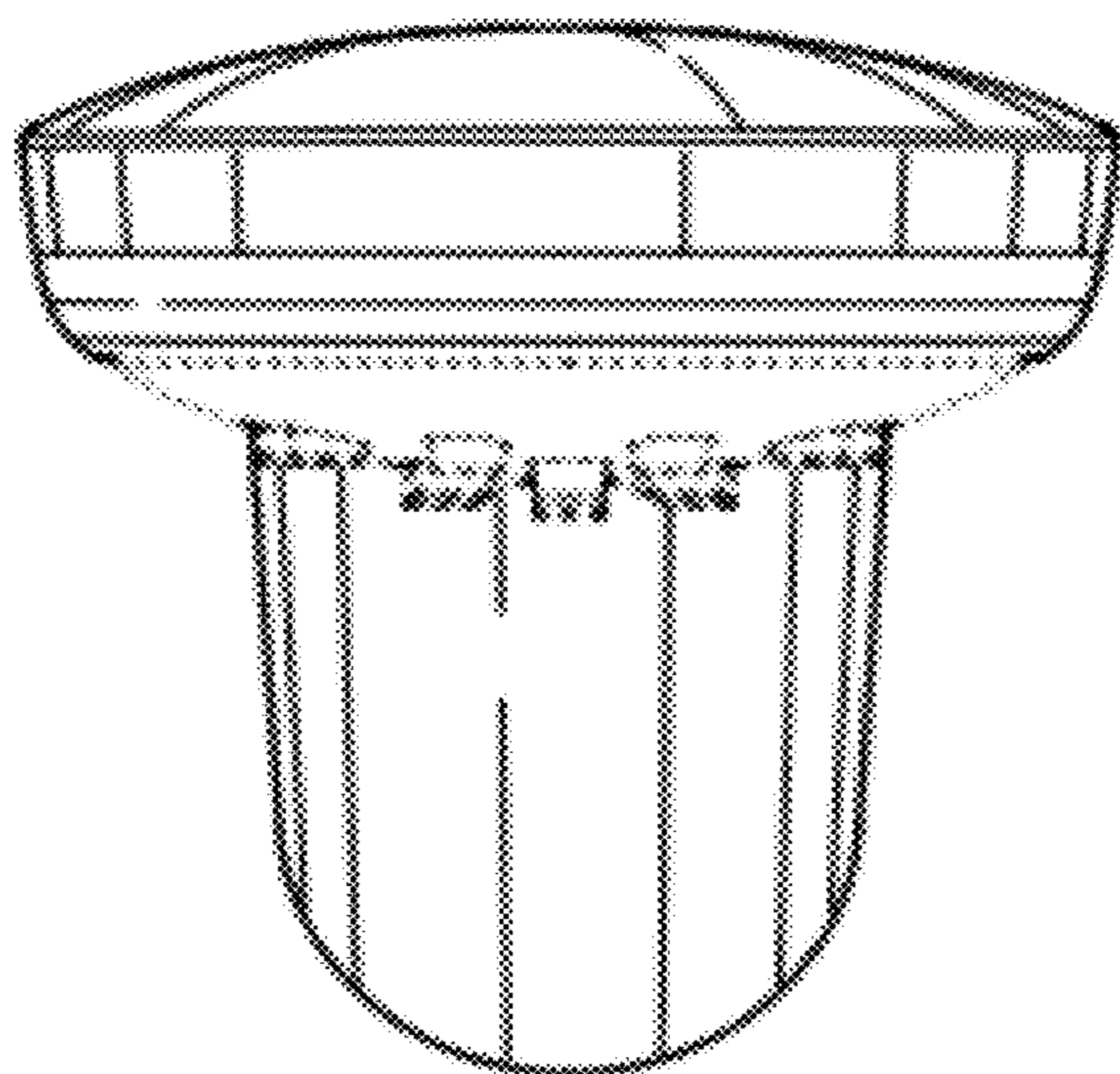


FIG. 2

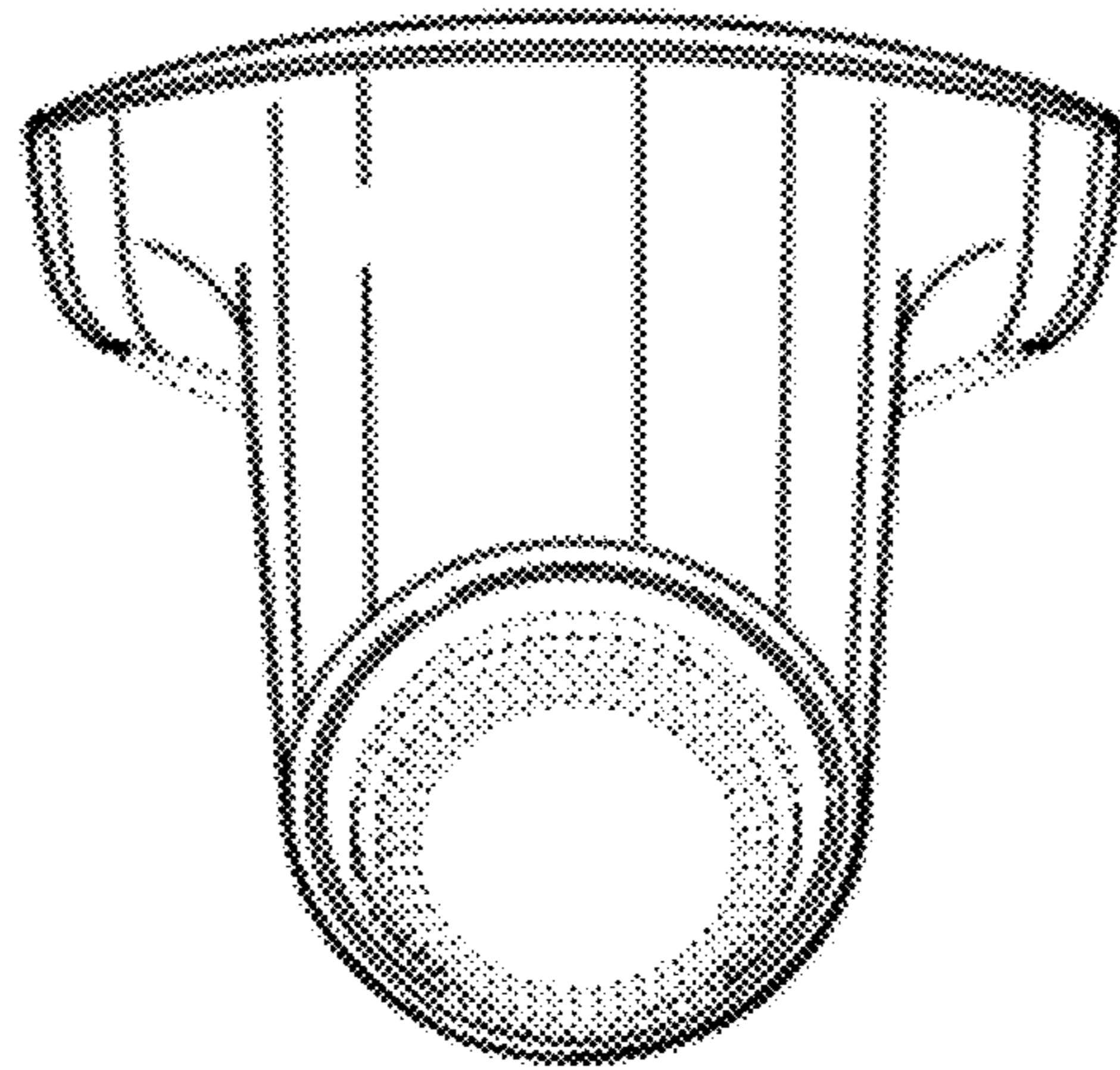


FIG. 3

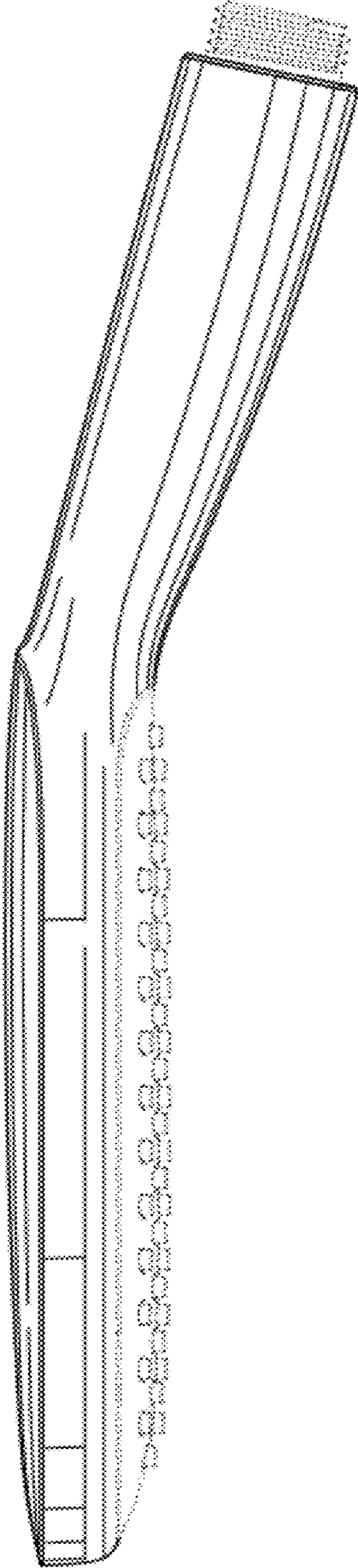


FIG. 4

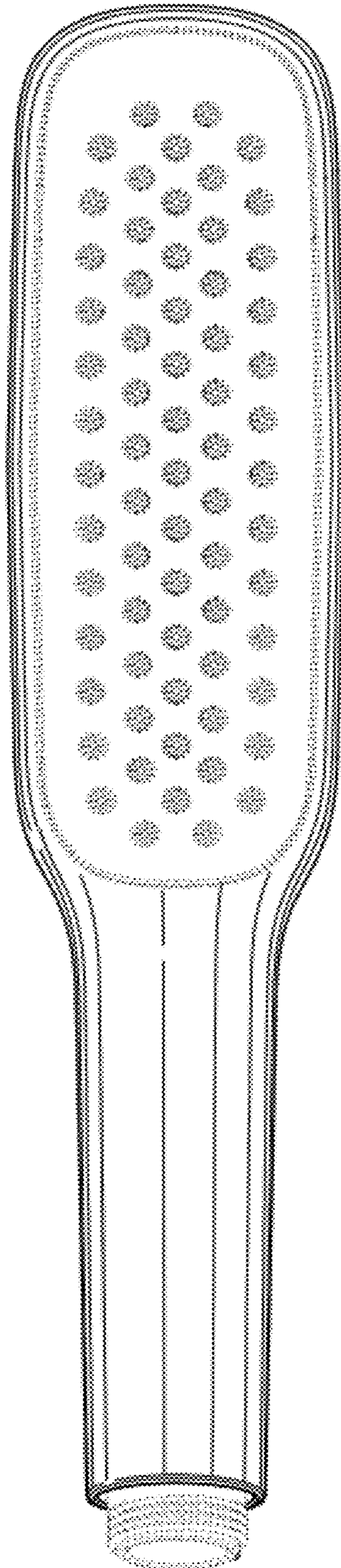


FIG. 5

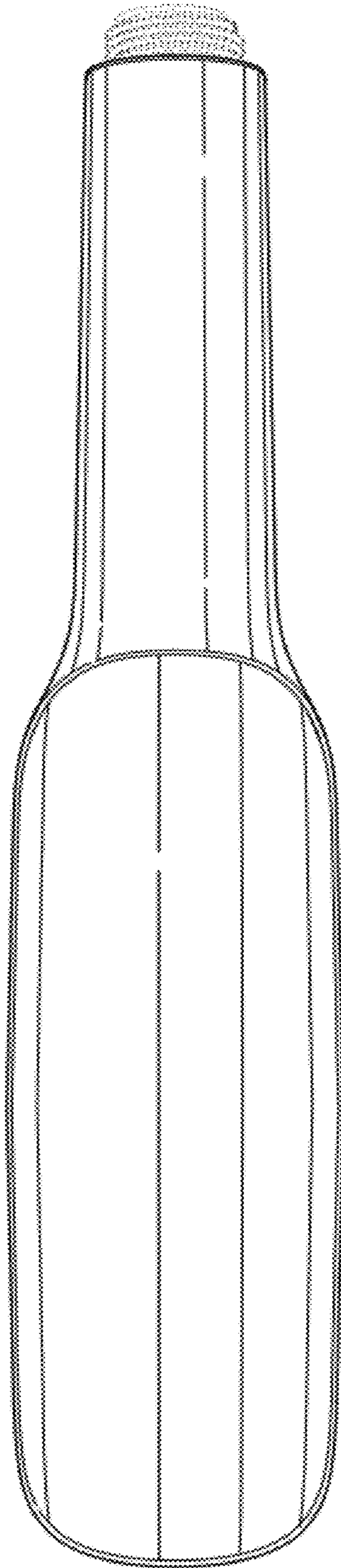


FIG. 6