



US00D655387S

(12) **United States Design Patent**  
**Schoenherr et al.**

(10) **Patent No.:** **US D655,387 S**  
(45) **Date of Patent:** **\*\* Mar. 6, 2012**

(54) **HANDHELD SHOWER**  
(75) Inventors: **Tom Schoenherr**, Stuttgart (DE);  
**Matthias Oesterle**, Winterbach (DE)  
(73) Assignee: **Hansgrohe AG**, Schiltach (DE)  
(\*\*) Term: **14 Years**  
(21) Appl. No.: **29/398,155**  
(22) Filed: **Jul. 27, 2011**

D590,916 S 4/2009 Schoenherr et al.  
D590,917 S 4/2009 Schoenherr et al.  
D591,396 S \* 4/2009 Lobermeier ..... D23/223  
D591,828 S \* 5/2009 Lobermeier ..... D23/223  
D610,231 S \* 2/2010 Wu et al. .... D23/223  
D619,213 S \* 7/2010 Lee ..... D23/223  
D619,214 S \* 7/2010 Lee ..... D23/223

\* cited by examiner

*Primary Examiner* — Robin V Webster

(74) *Attorney, Agent, or Firm* — Nirav D. Parikh; Lora J. Graentzdoerffer; Edgar A. Zarins

(30) **Foreign Application Priority Data**  
Jan. 28, 2011 (EM) ..... 001256952-0001  
(51) **LOC (9) Cl.** ..... **23-01**  
(52) **U.S. Cl.** ..... **D23/223**  
(58) **Field of Classification Search** ..... D23/213,  
D23/223, 229, 230; 239/462, 394; 4/615  
See application file for complete search history.

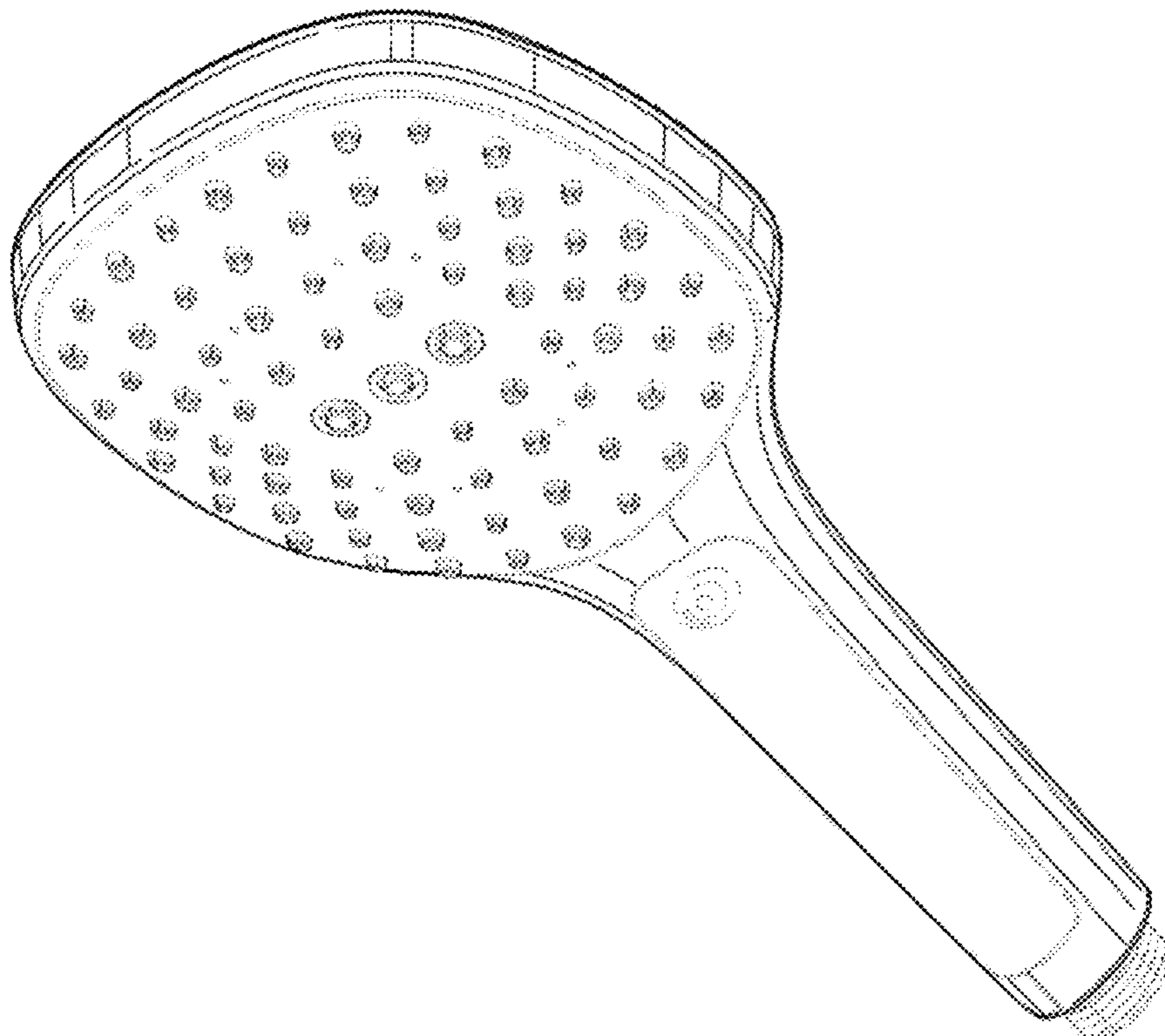
(57) **CLAIM**  
The ornamental design for a handheld shower, as shown and described.

**DESCRIPTION**

FIG. 1 is a perspective view of a handheld shower showing our design;  
FIG. 2 is a front elevational view thereof;  
FIG. 3 is a rear elevational view thereof;  
FIG. 4 is a left side elevational view thereof; the right side elevational view being a mirror image thereof;  
FIG. 5 is a top plan view thereof; and,  
FIG. 6 is a bottom plan view thereof.  
The broken lines in the drawings represent unclaimed portions of the design and form no part of the claimed design.

(56) **References Cited**  
U.S. PATENT DOCUMENTS  
D495,028 S \* 8/2004 Jorgensen et al. .... D23/223  
D508,974 S \* 8/2005 Lin ..... D23/223  
D513,784 S \* 1/2006 Tsang ..... D23/223  
D519,187 S \* 4/2006 Tse ..... D23/223  
D527,072 S \* 8/2006 Wu ..... D23/223  
D562,941 S \* 2/2008 Pan ..... D23/223

**1 Claim, 6 Drawing Sheets**



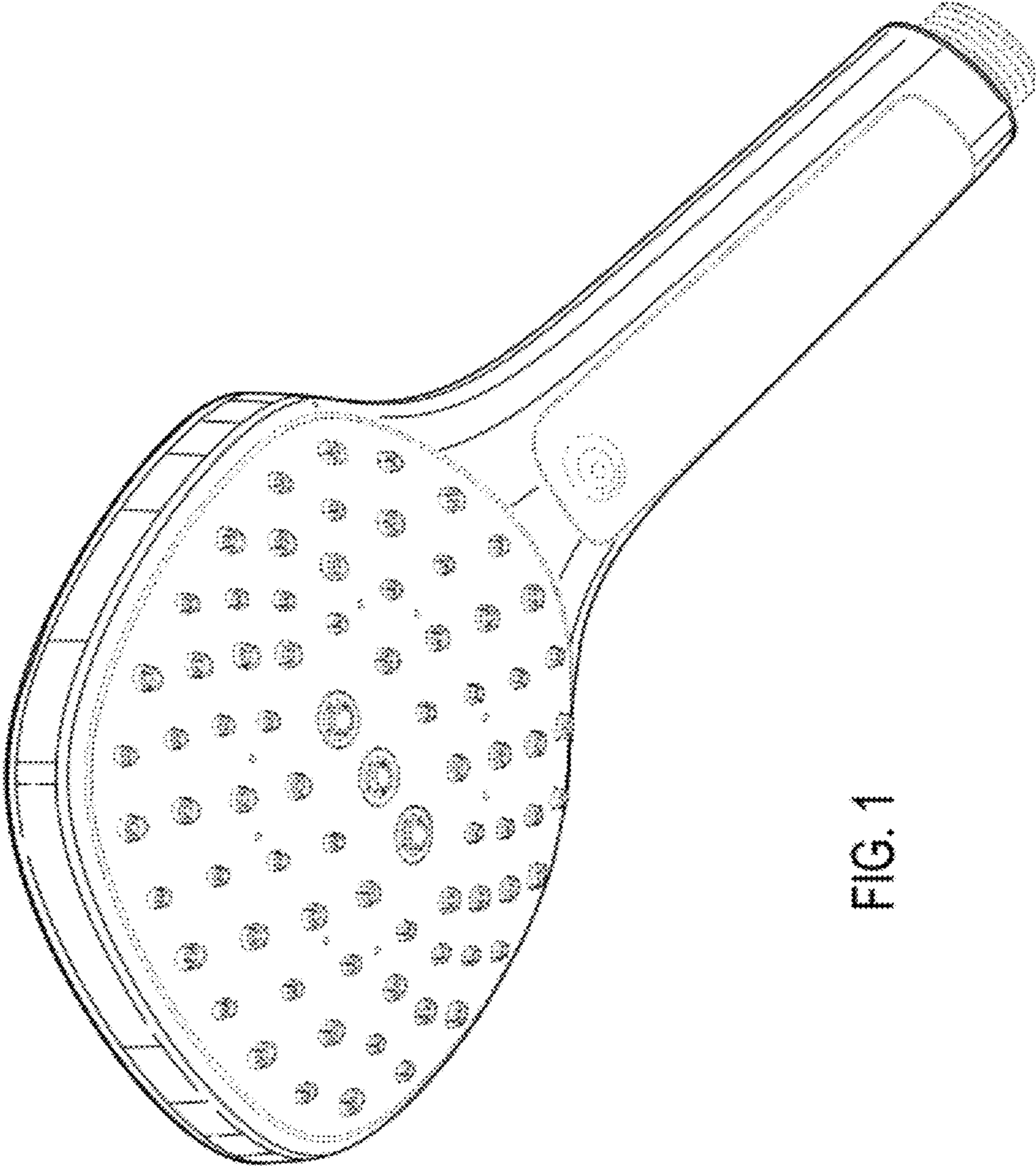


FIG. 1

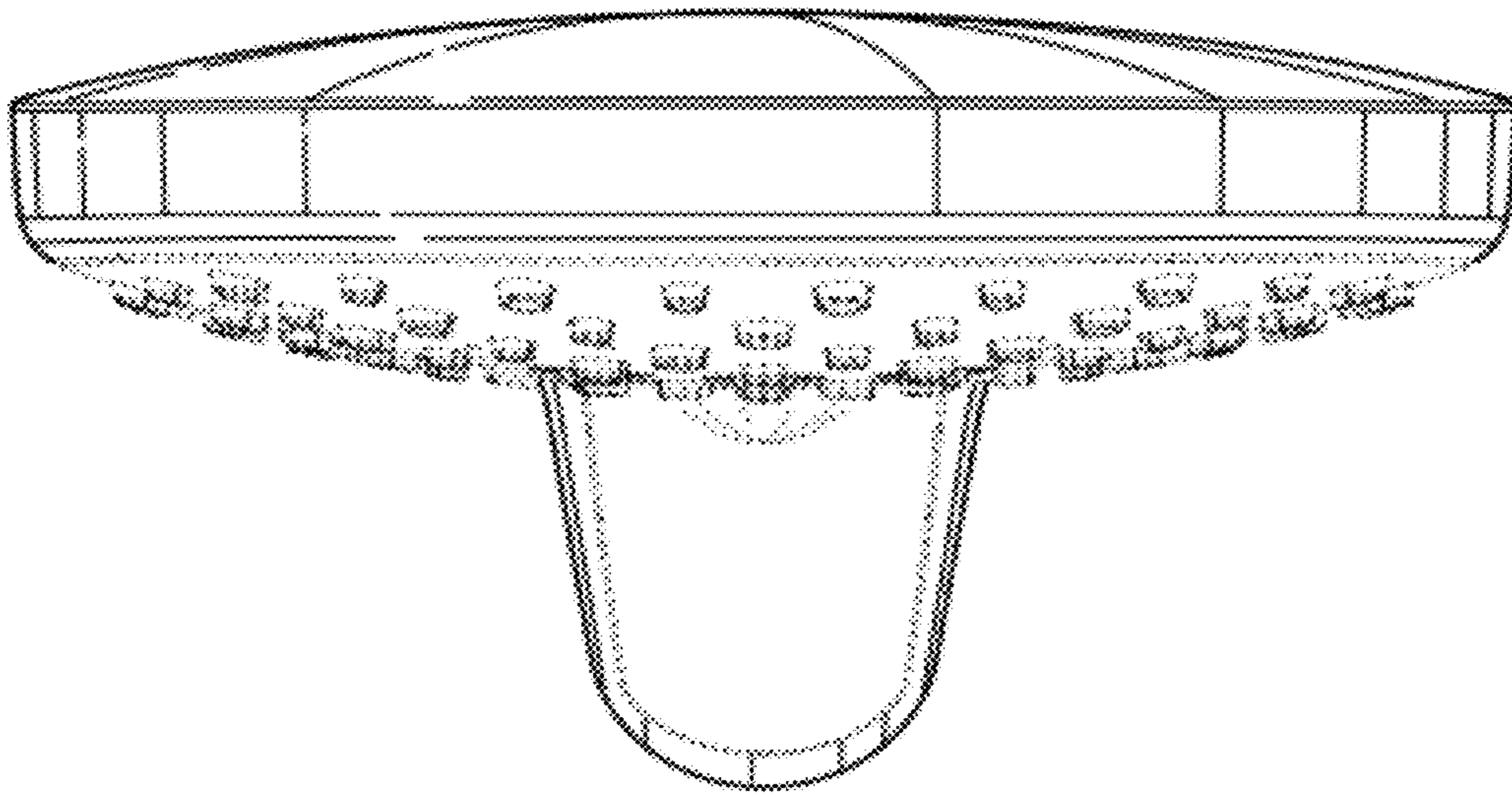


FIG. 2

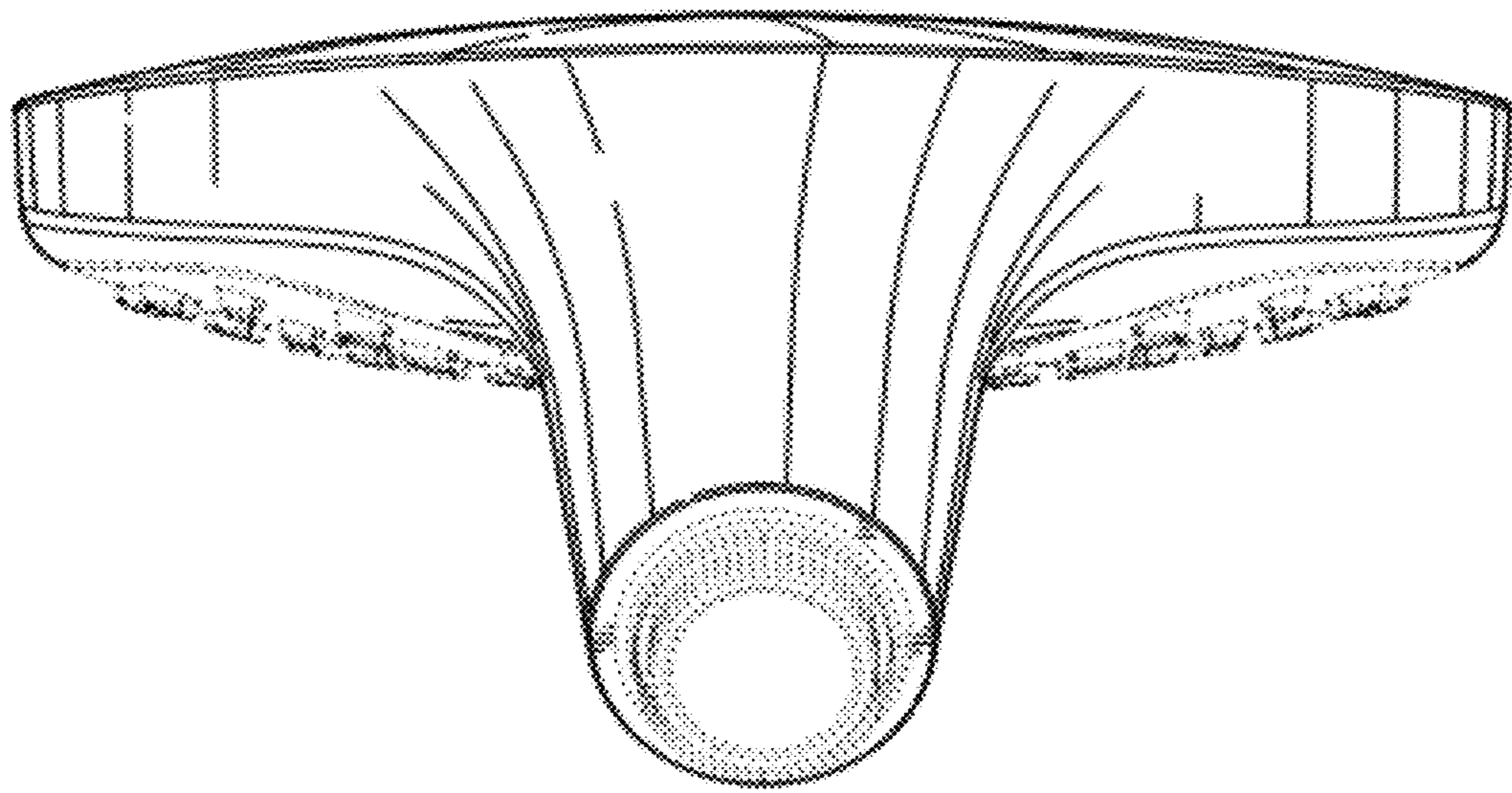


FIG. 3

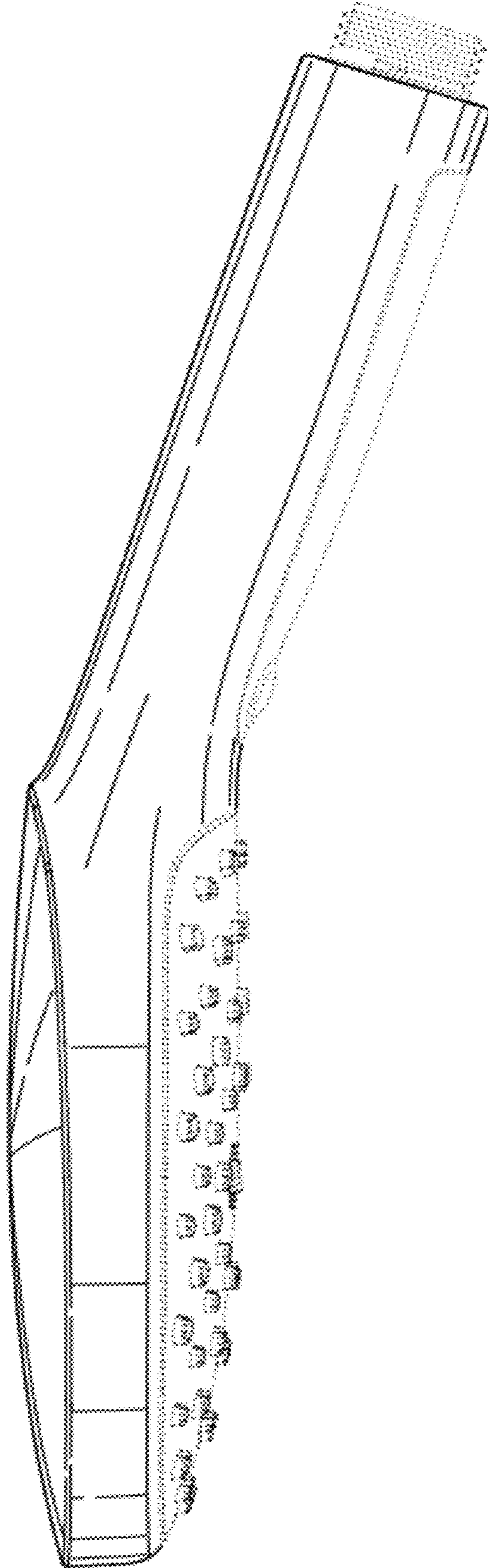


FIG. 4

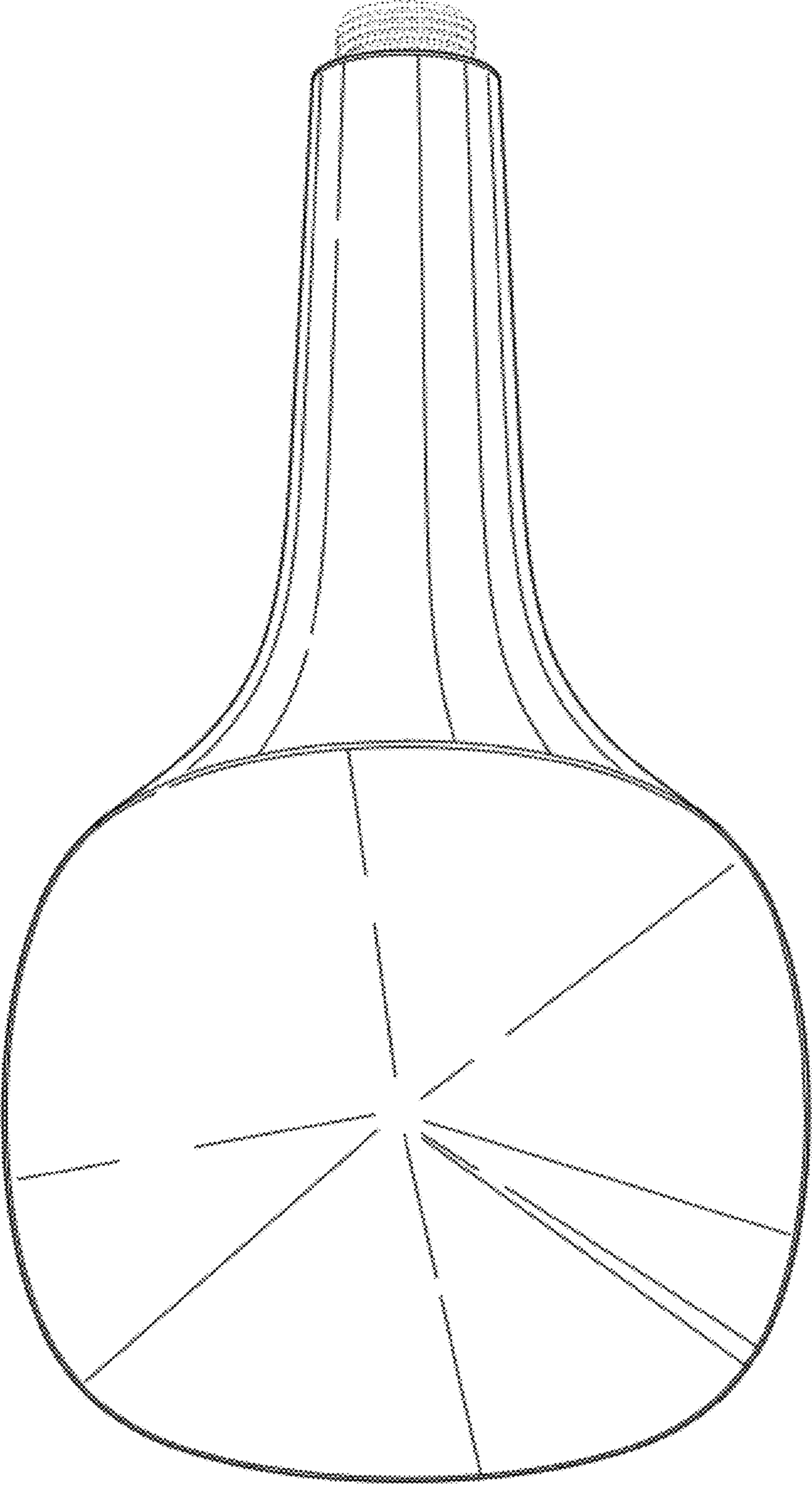


FIG. 5

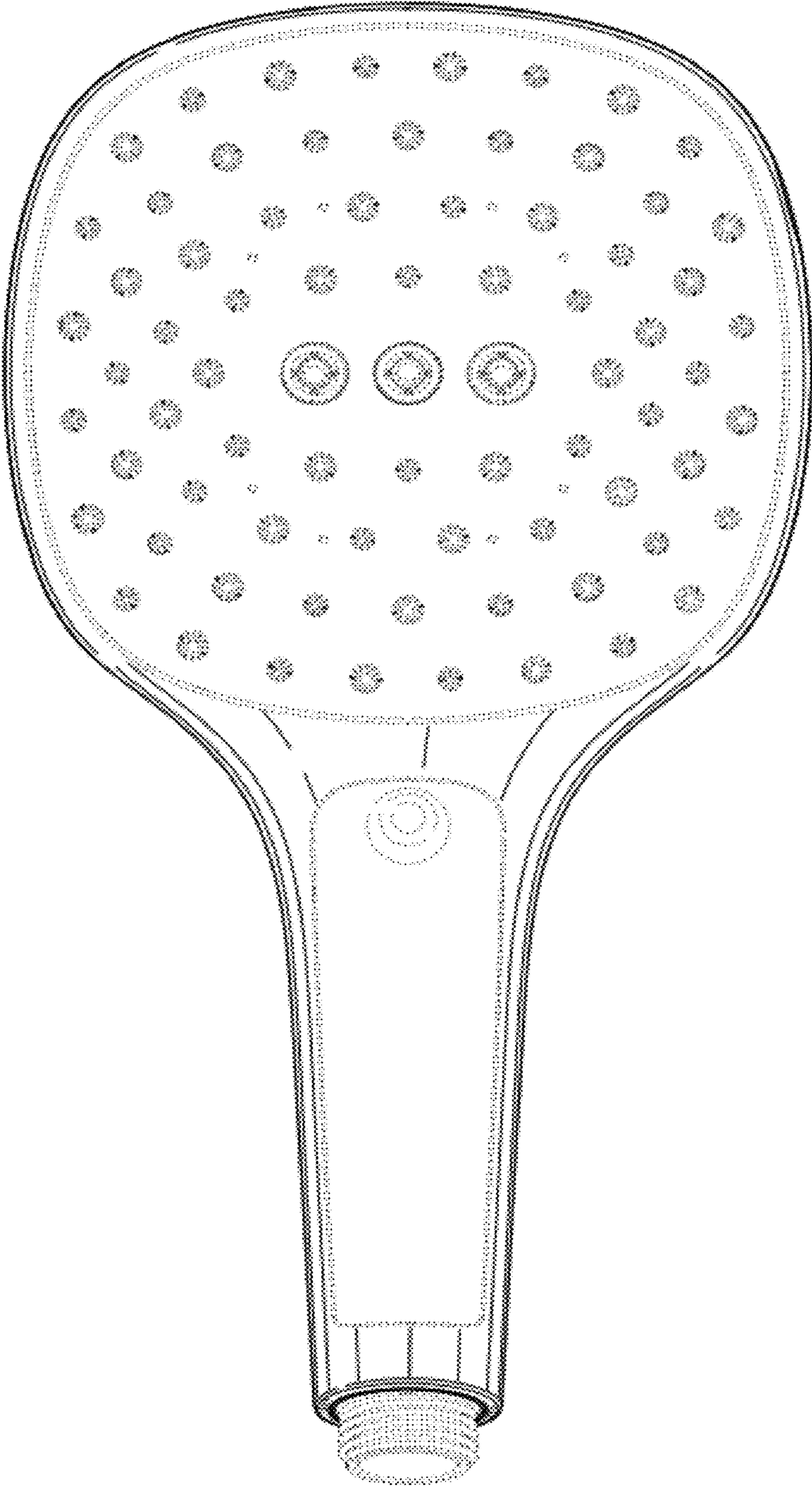


FIG. 6