



US00D655384S

(12) **United States Design Patent**
Schoenherr et al.

(10) **Patent No.:** **US D655,384 S**
(45) **Date of Patent:** **** Mar. 6, 2012**

(54) **HANDHELD SHOWER**

(75) Inventors: **Tom Schoenherr**, Stuttgart (DE);
Matthias Oesterle, Winterbach (DE)

(73) Assignee: **Hansgrohe AG**, Schiltach (DE)

(**) Term: **14 Years**

(21) Appl. No.: **29/398,150**

(22) Filed: **Jul. 27, 2011**

(30) **Foreign Application Priority Data**

Jan. 28, 2011 (EP) 001256937-0001

(51) **LOC (9) Cl.** **23-01**

(52) **U.S. Cl.** **D23/223**

(58) **Field of Classification Search** D23/213,
D23/223, 229, 230; 239/462, 394; 4/615
See application file for complete search history.

(56) **References Cited**

U.S. PATENT DOCUMENTS

D424,161 S	5/2000	Haug et al.	
D428,110 S	7/2000	Haug et al.	
D495,028 S *	8/2004	Jorgensen et al.	D23/223
D508,974 S *	8/2005	Lin	D23/223
D513,784 S *	1/2006	Tsang	D23/223
D519,187 S *	4/2006	Tse	D23/223

D527,072 S *	8/2006	Wu	D23/223
D562,941 S *	2/2008	Pan	D23/223
D591,396 S *	4/2009	Lobermeier	D23/223
D591,828 S *	5/2009	Lobermeier	D23/223
D610,231 S *	2/2010	Wu et al.	D23/223
D619,213 S *	7/2010	Lee	D23/223
D619,214 S *	7/2010	Lee	D23/223

* cited by examiner

Primary Examiner — Robin V Webster

(74) *Attorney, Agent, or Firm* — Nirav D. Parikh; Lora J. Graentzdoerffer; Edgar A. Zarins

(57) **CLAIM**

The ornamental design for a handheld shower, as shown and described.

DESCRIPTION

FIG. 1 is a perspective view of a handheld shower showing our design;

FIG. 2 is a front elevational view thereof;

FIG. 3 is a rear elevational view thereof;

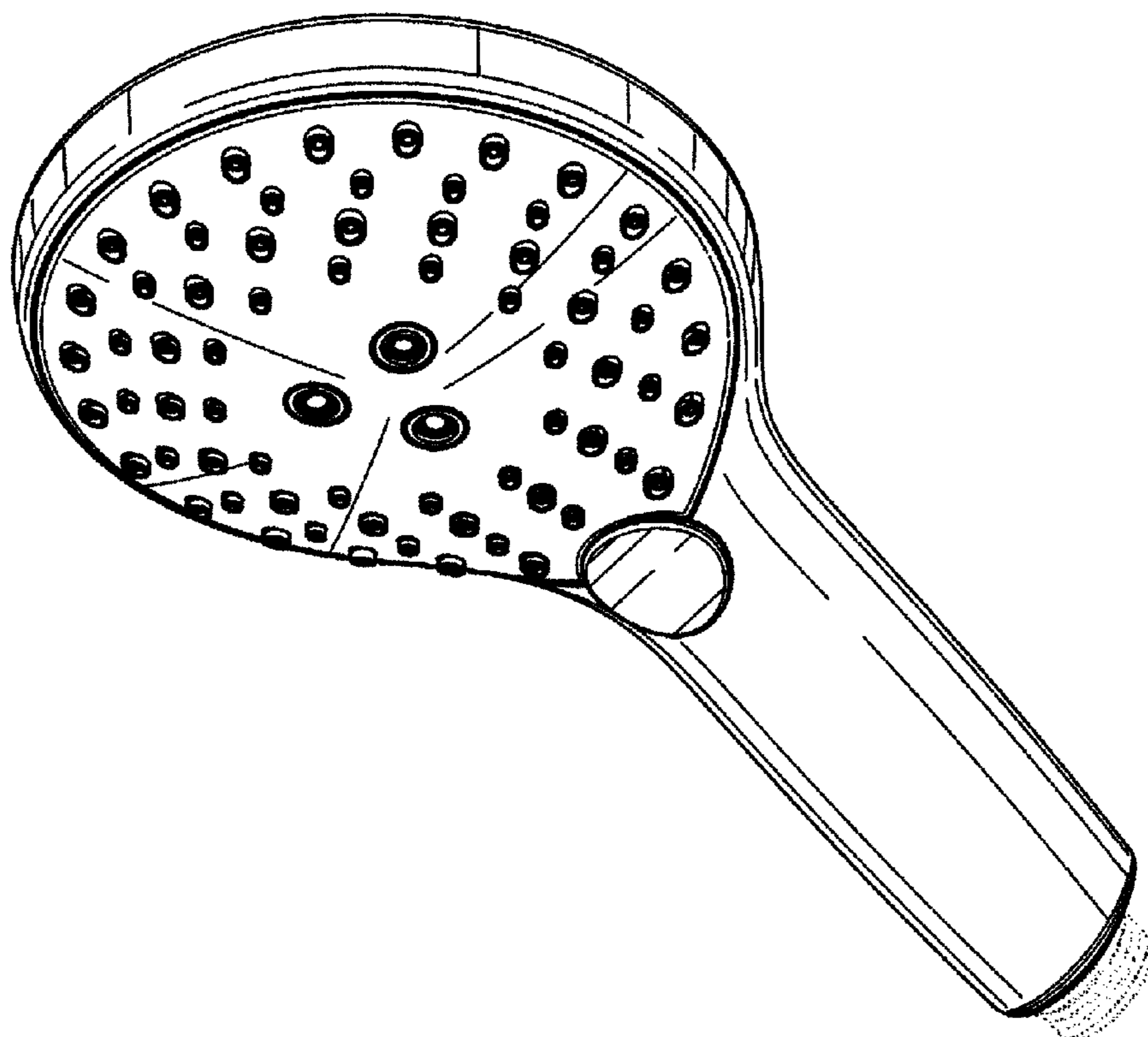
FIG. 4 is a left side elevational view thereof; the right side elevational view being a mirror image thereof;

FIG. 5 is a top plan view thereof; and,

FIG. 6 is a bottom plan view thereof.

The broken lines in the drawings represent unclaimed portions of the design and form no part of the claimed design.

1 Claim, 6 Drawing Sheets



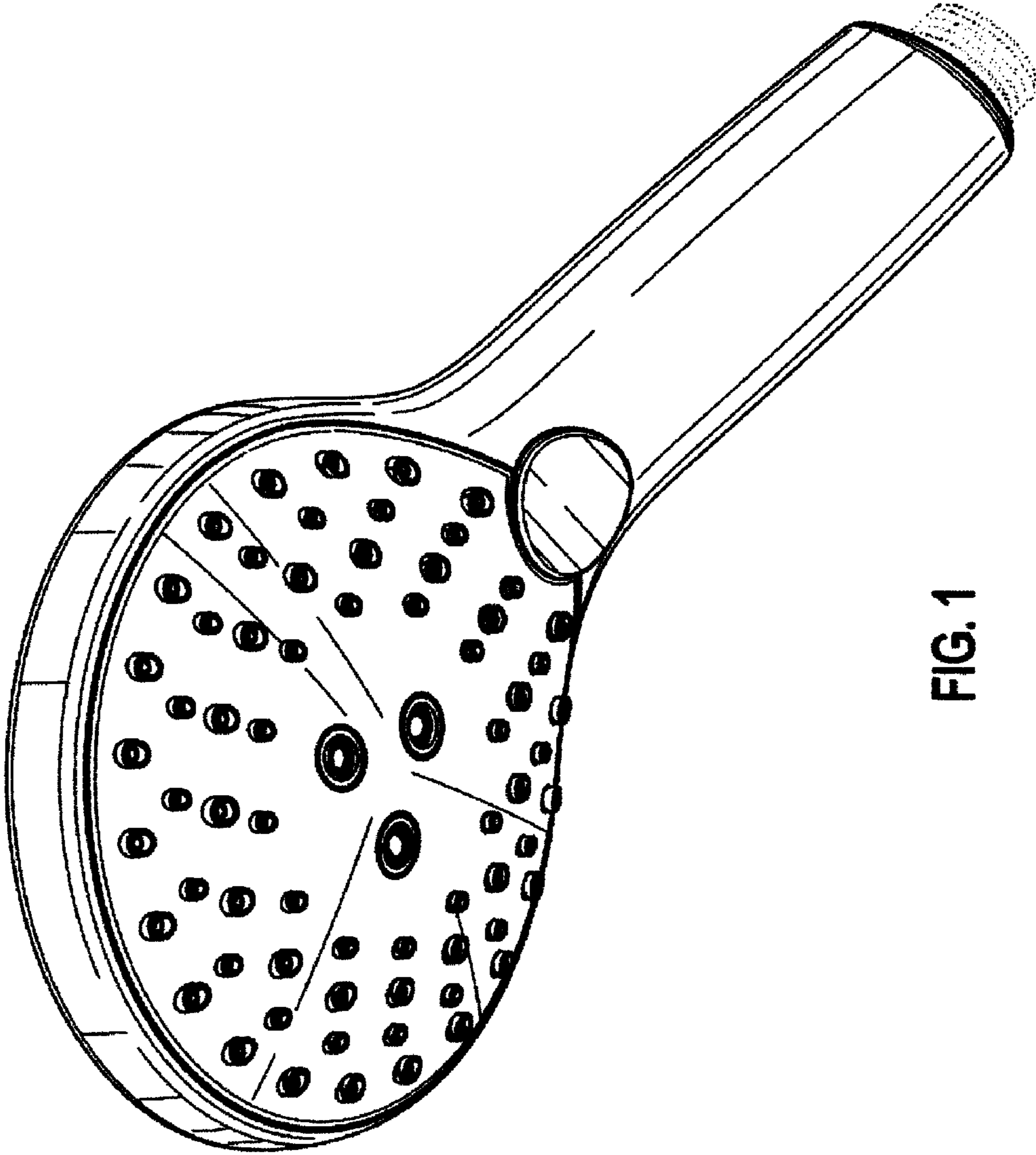


FIG. 1

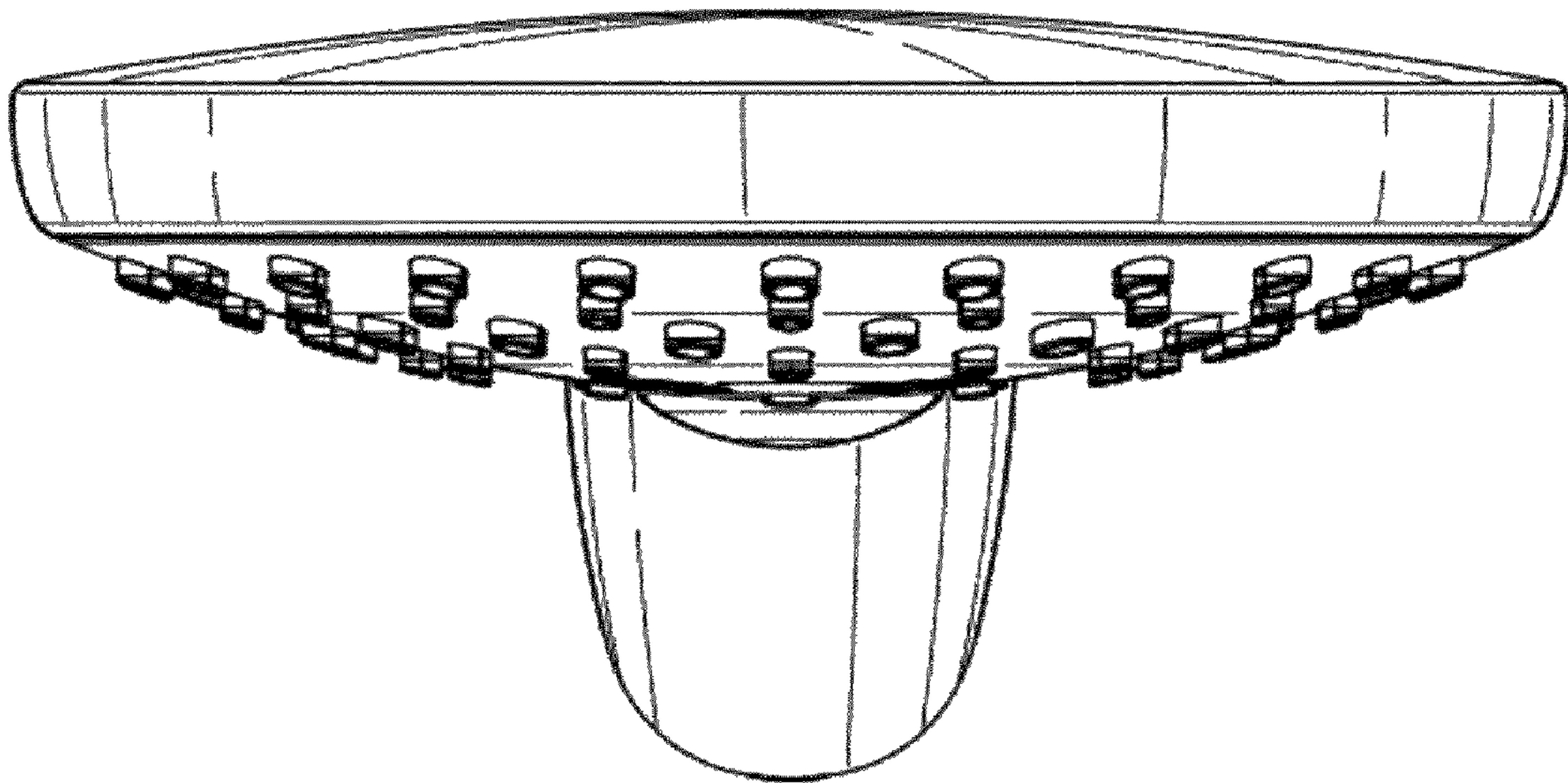


FIG. 2

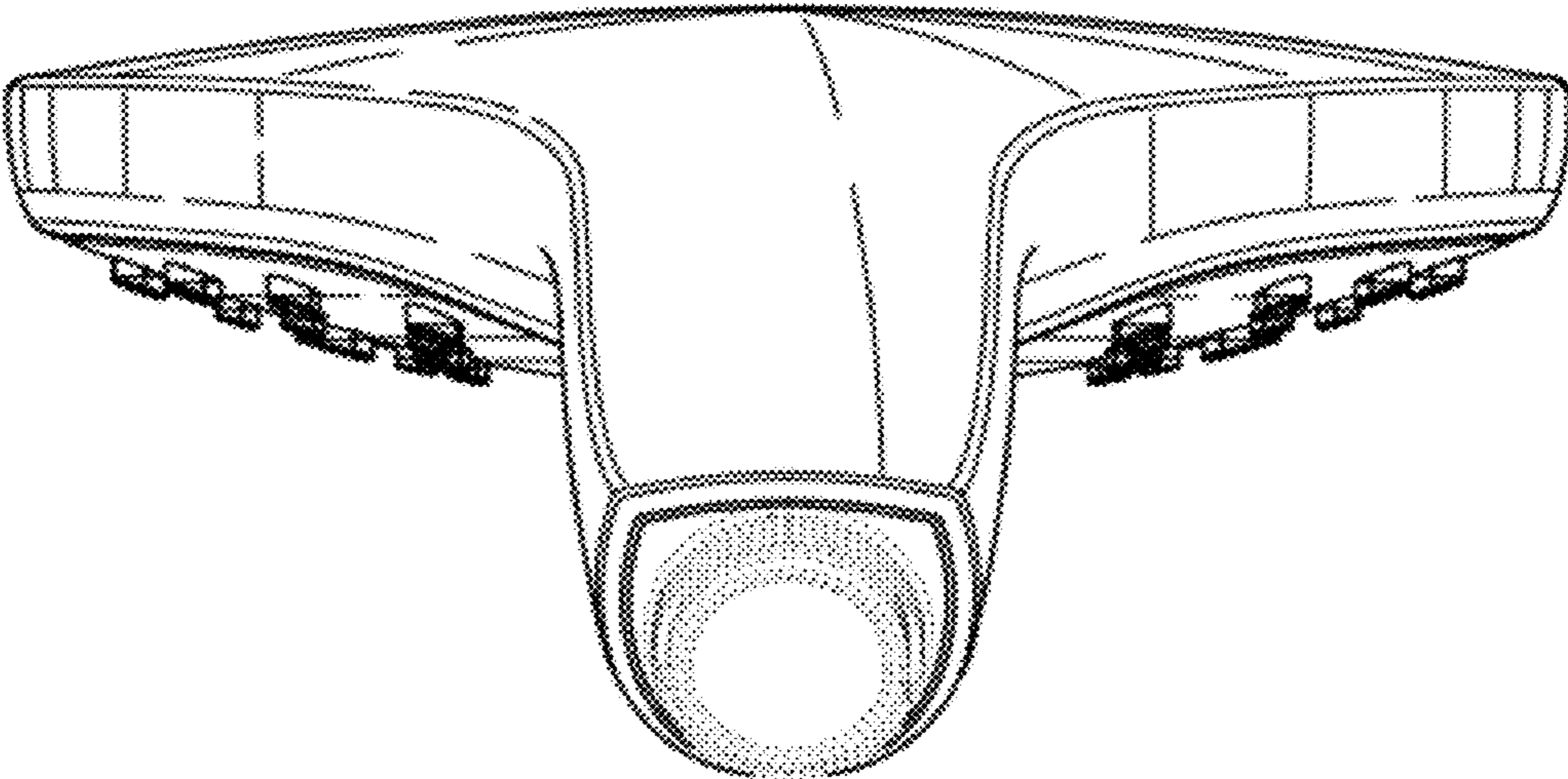


FIG. 3

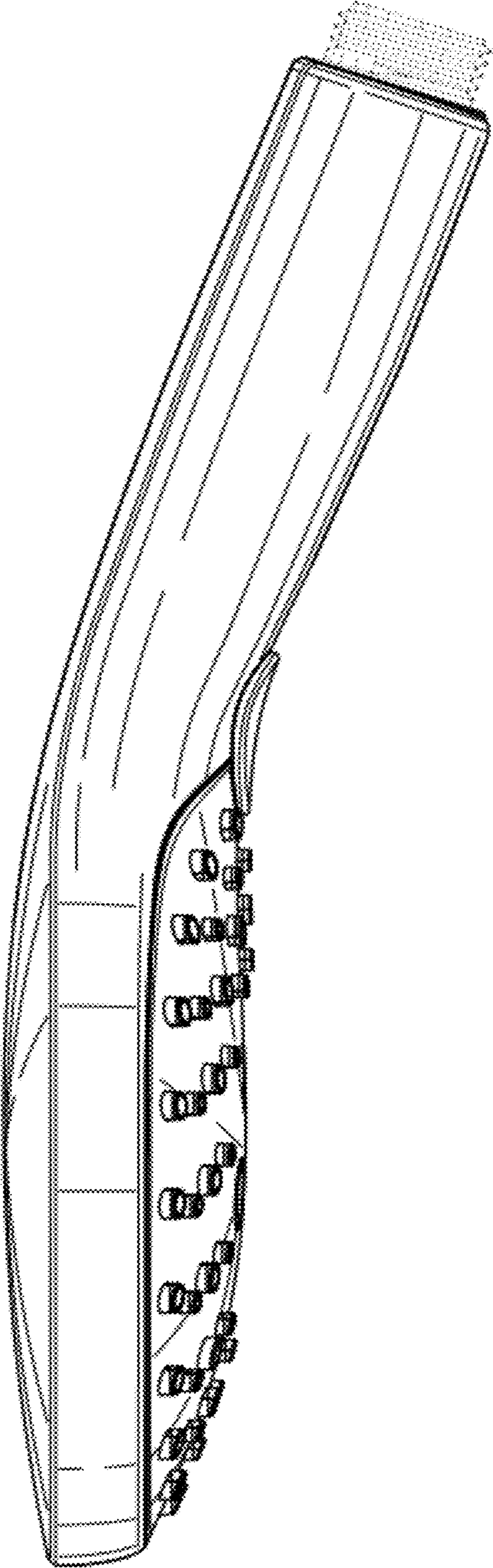


FIG. 4

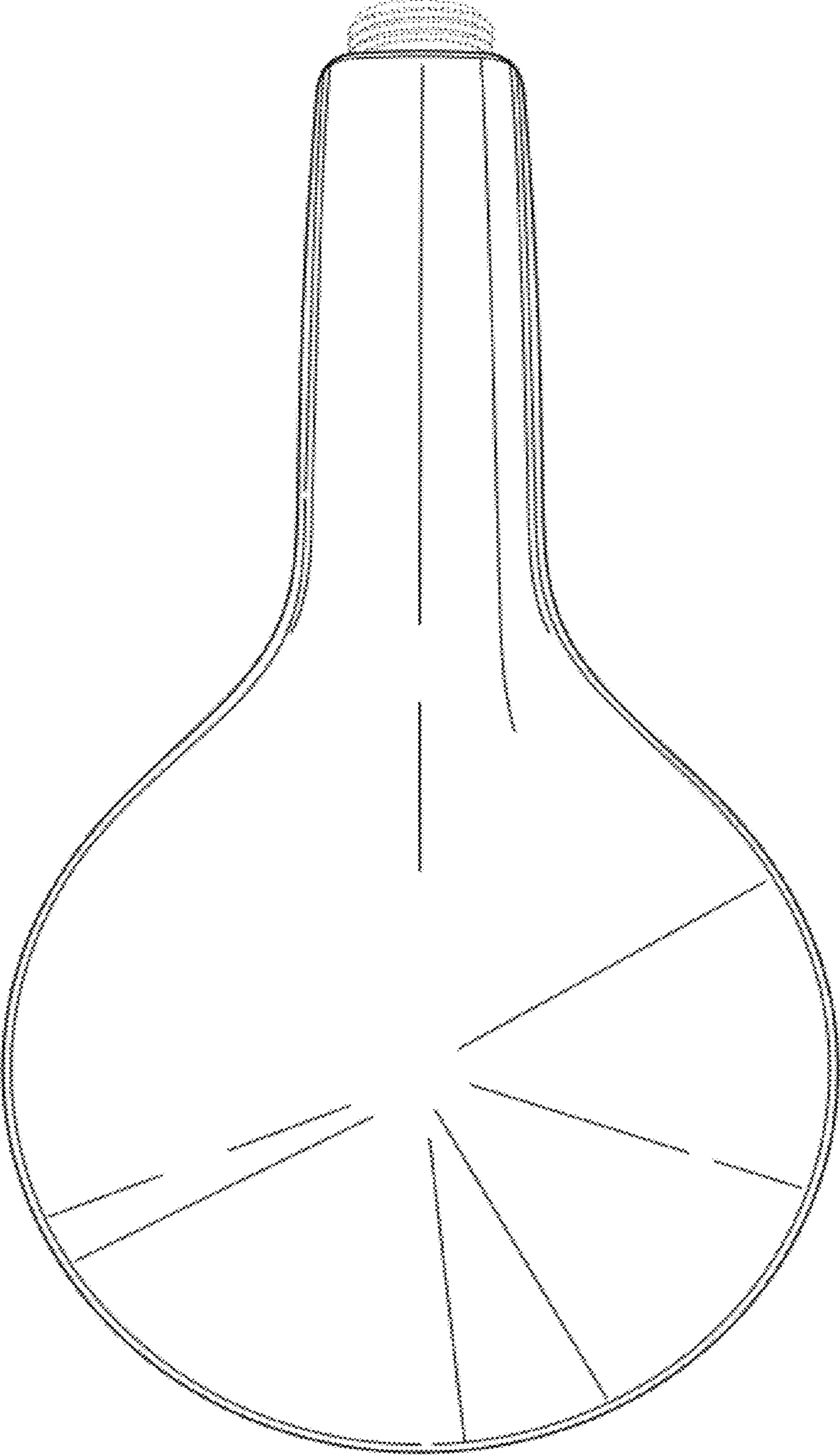


FIG. 5

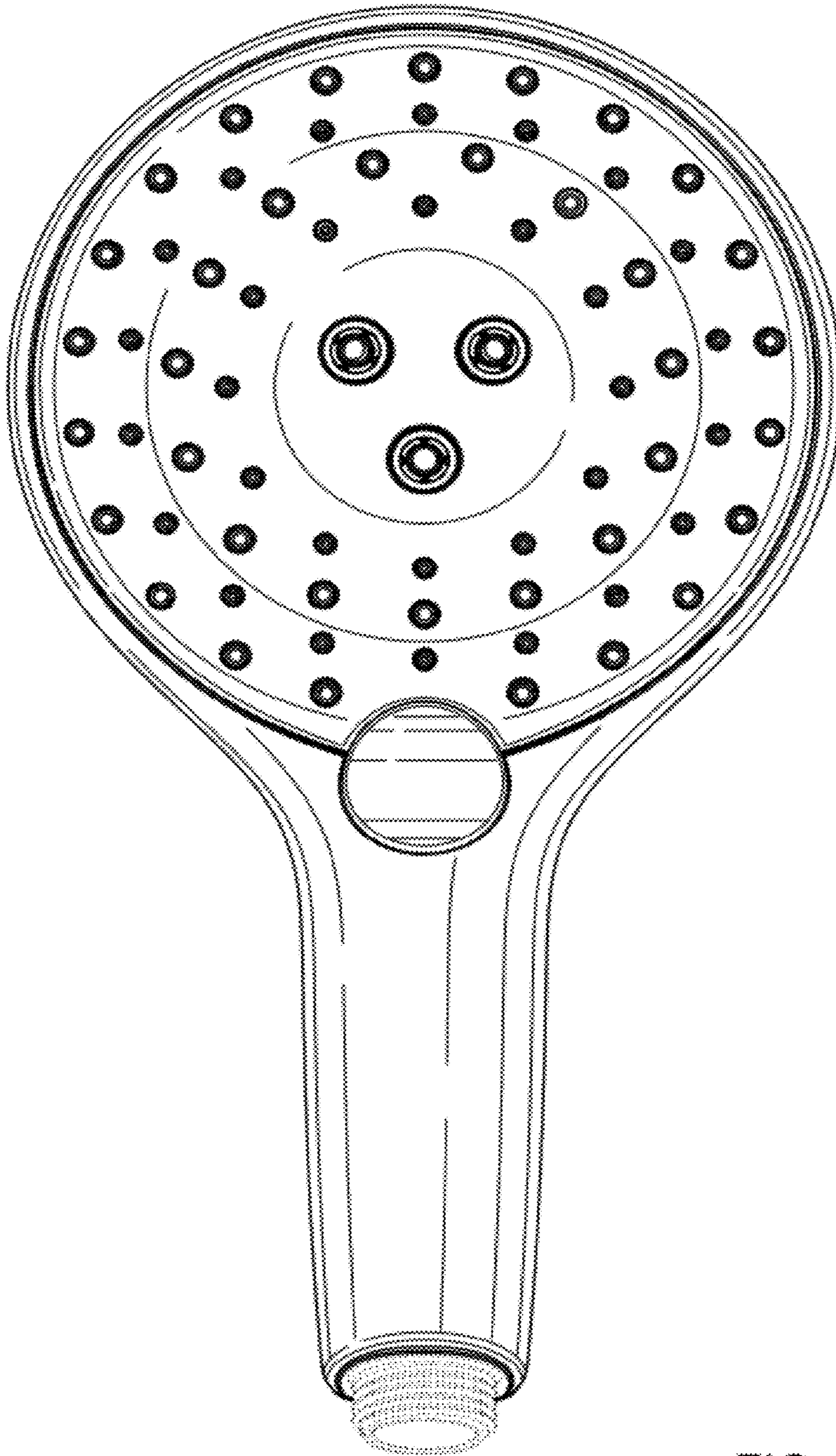


FIG. 6