



US00D655381S

(12) **United States Design Patent**
Flowers et al.

(10) **Patent No.:** **US D655,381 S**
(45) **Date of Patent:** **** Mar. 6, 2012**

(54) **HANDHELD SHOWER SPRAY**

(75) Inventors: **Paul Flowers**, Duesseldorf (DE);
Patrick Speck, Duesseldorf (DE)

(73) Assignee: **Grohe AG**, Hemer (DE)

(**) Term: **14 Years**

(21) Appl. No.: **29/390,988**

(22) Filed: **May 2, 2011**

(30) **Foreign Application Priority Data**

Nov. 4, 2010 (EM) 001777053-0004
Nov. 4, 2010 (EM) 001777053-0005
Nov. 4, 2010 (EM) 001777053-0006

(51) **LOC (9) Cl.** **23-01**

(52) **U.S. Cl.** **D23/223**

(58) **Field of Classification Search** D23/213,
D23/223, 226, 229, 230; 239/462, 394, 282,
239/283

See application file for complete search history.

(56) **References Cited**

U.S. PATENT DOCUMENTS

D424,161 S * 5/2000 Haug et al. D23/223
D581,484 S * 11/2008 Schoenherr et al. D23/223
D610,228 S * 2/2010 Wu et al. D23/223
D617,419 S * 6/2010 Lee D23/223
D619,214 S * 7/2010 Lee D23/223

* cited by examiner

Primary Examiner — Robin V Webster

(74) *Attorney, Agent, or Firm* — Muncy, Geissler, Olds &
Lowe, PLLC

(57) **CLAIM**

The ornamental design for a handheld shower spray, as shown and described.

DESCRIPTION

FIG. 1 is a left side elevational view of a handheld shower spray according to a first embodiment of the present invention.

FIG. 2 is a right side elevational view of the handheld shower spray of FIG. 1.

FIG. 3 is a front elevational view of the handheld shower spray of FIG. 1.

FIG. 4 is a rear elevational view of the handheld shower spray of FIG. 1.

FIG. 5 is a top plan view of the handheld shower spray of FIG. 1.

FIG. 6 is a bottom plan view of the handheld shower spray of FIG. 1.

FIG. 7 is a three quarter view of the handheld shower spray of FIG. 1.

FIG. 8 is a left side elevational view of a handheld shower spray according to a second embodiment of the present invention.

FIG. 9 is a right side elevational view of the handheld shower spray of FIG. 8.

FIG. 10 is a front elevational view of the handheld shower spray of FIG. 8.

FIG. 11 is a rear elevational view of the handheld shower spray of FIG. 8.

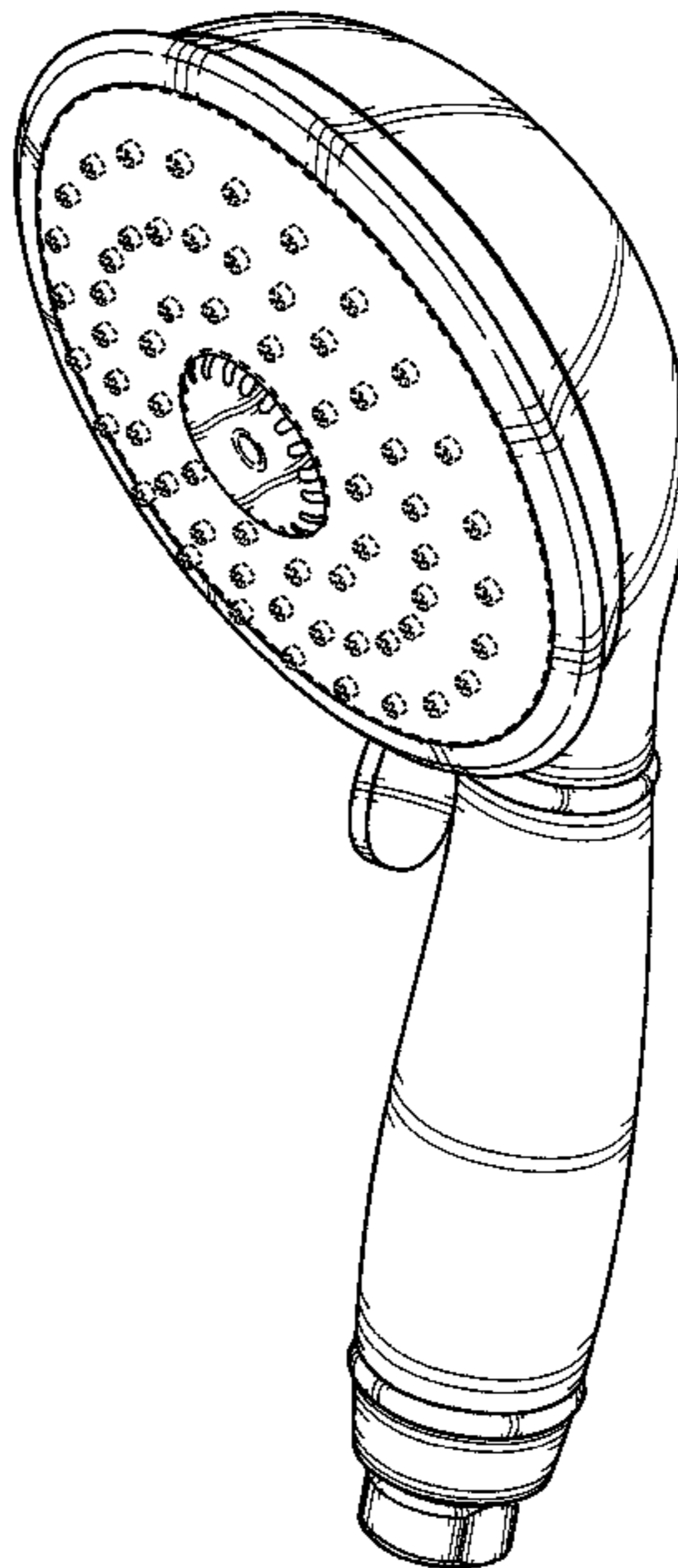
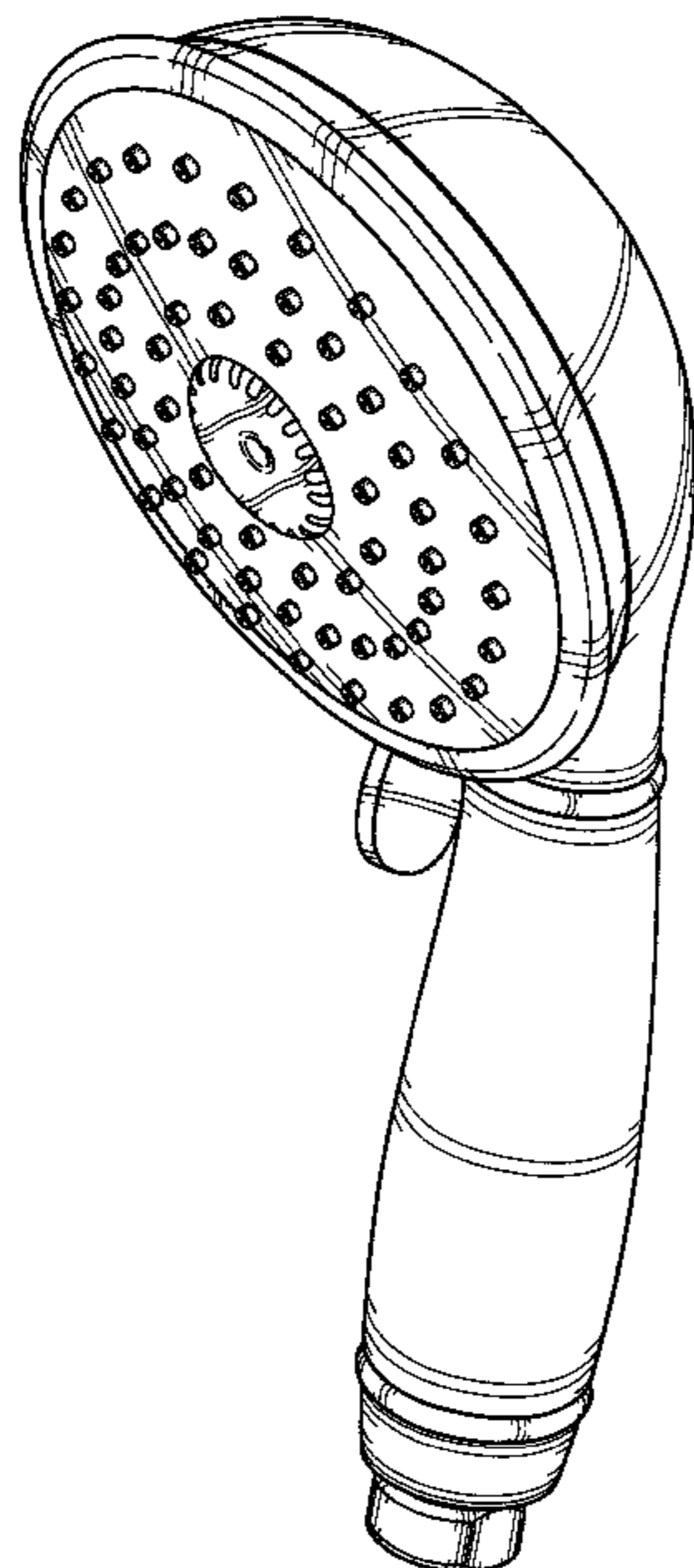
FIG. 12 is a top plan view of the handheld shower spray of FIG. 8.

FIG. 13 is a bottom plan view of the handheld shower spray of FIG. 8; and,

FIG. 14 is a three quarter view of the handheld shower spray of FIG. 8.

The dashed lines illustrate environment that does not form a part of the present invention, and no claim is made to the material illustrated with dashed lines.

1 Claim, 8 Drawing Sheets



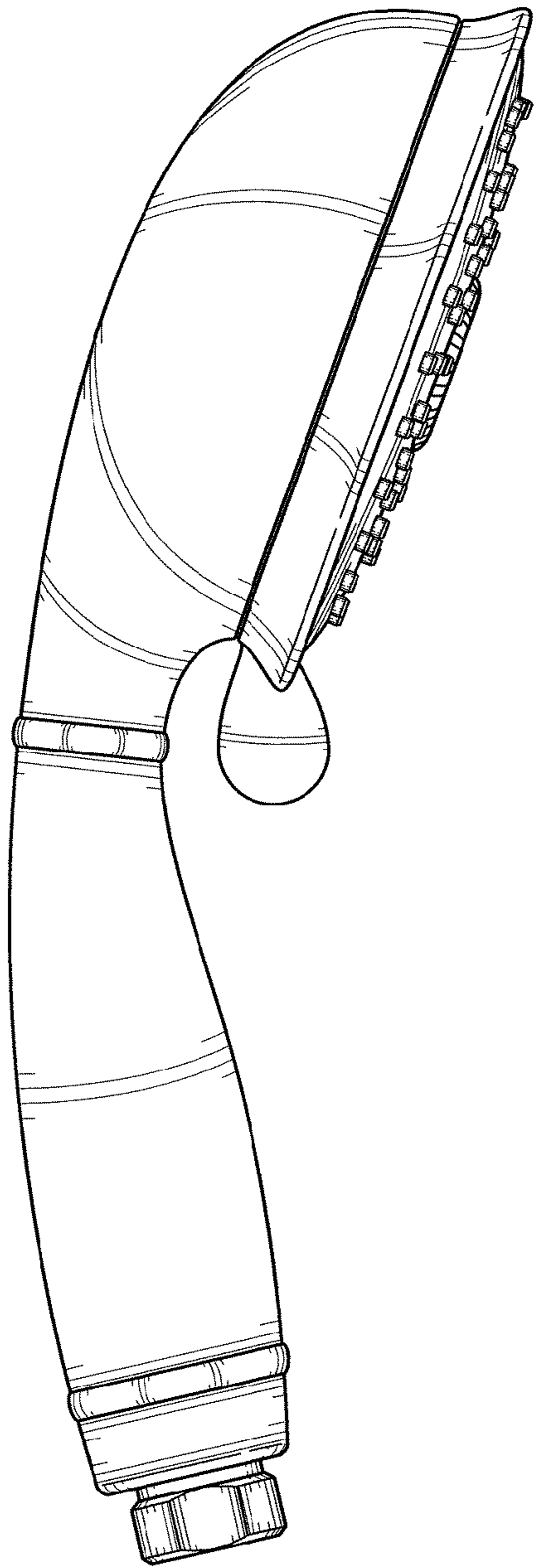


FIG. 1

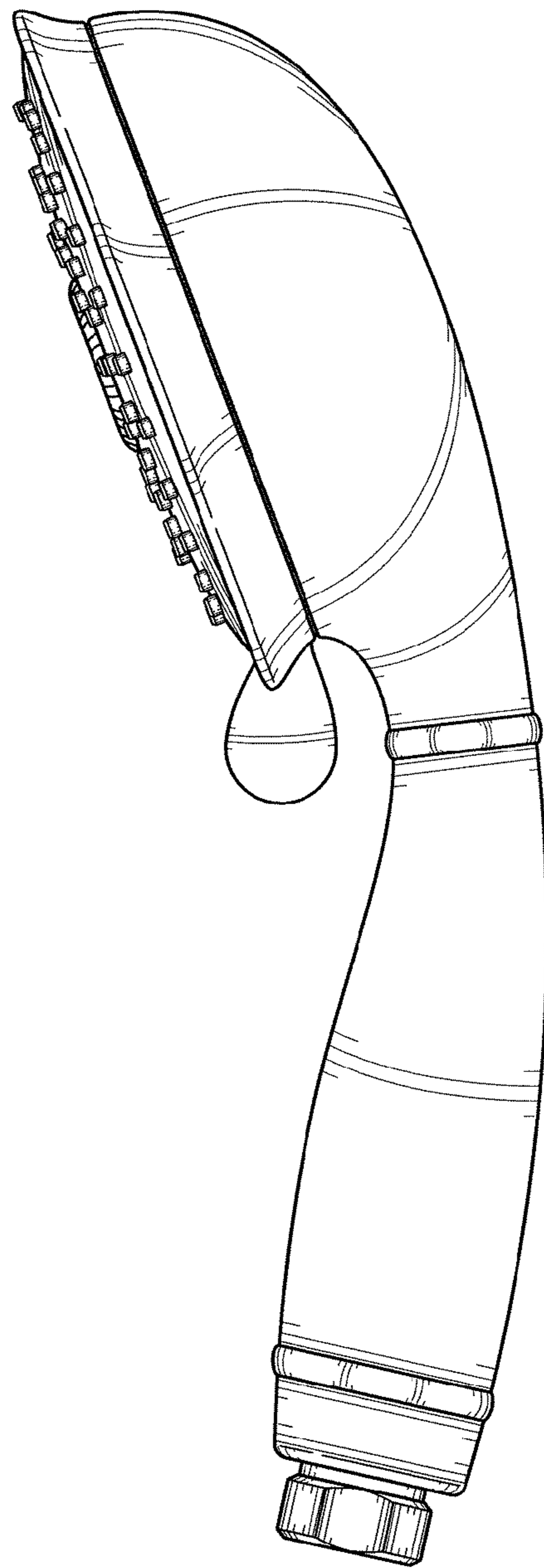


FIG. 2

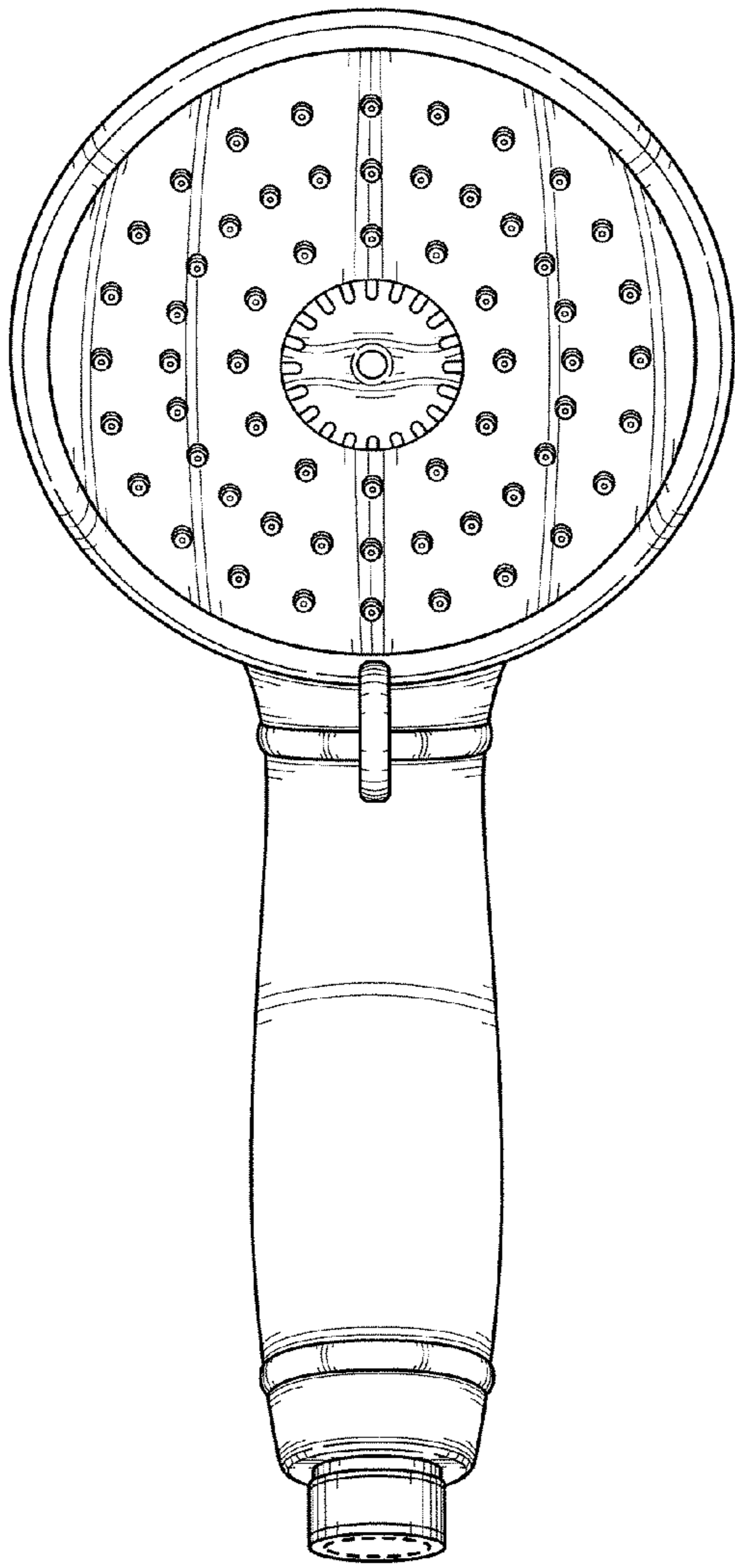


FIG. 3

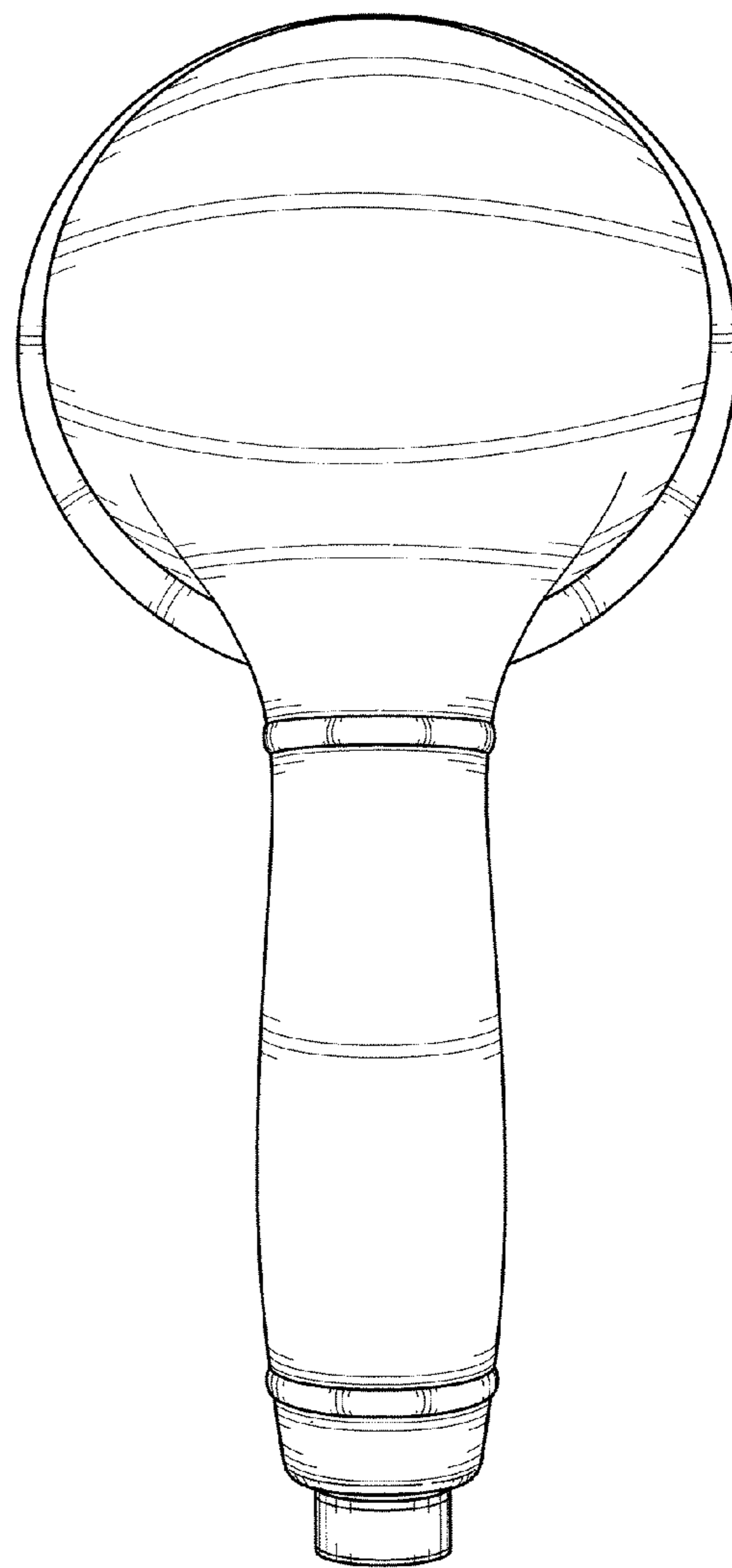


FIG. 4

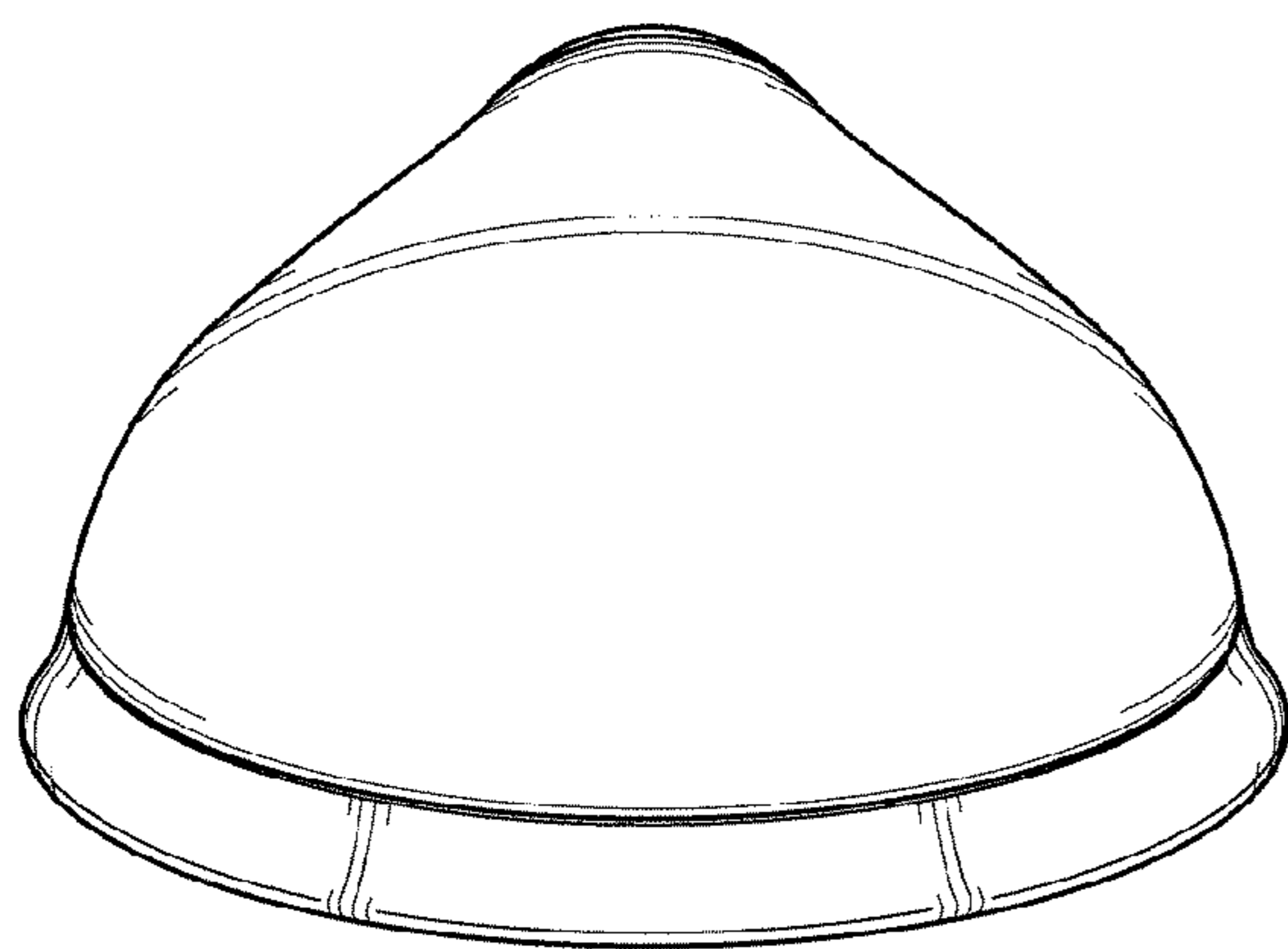


FIG. 5

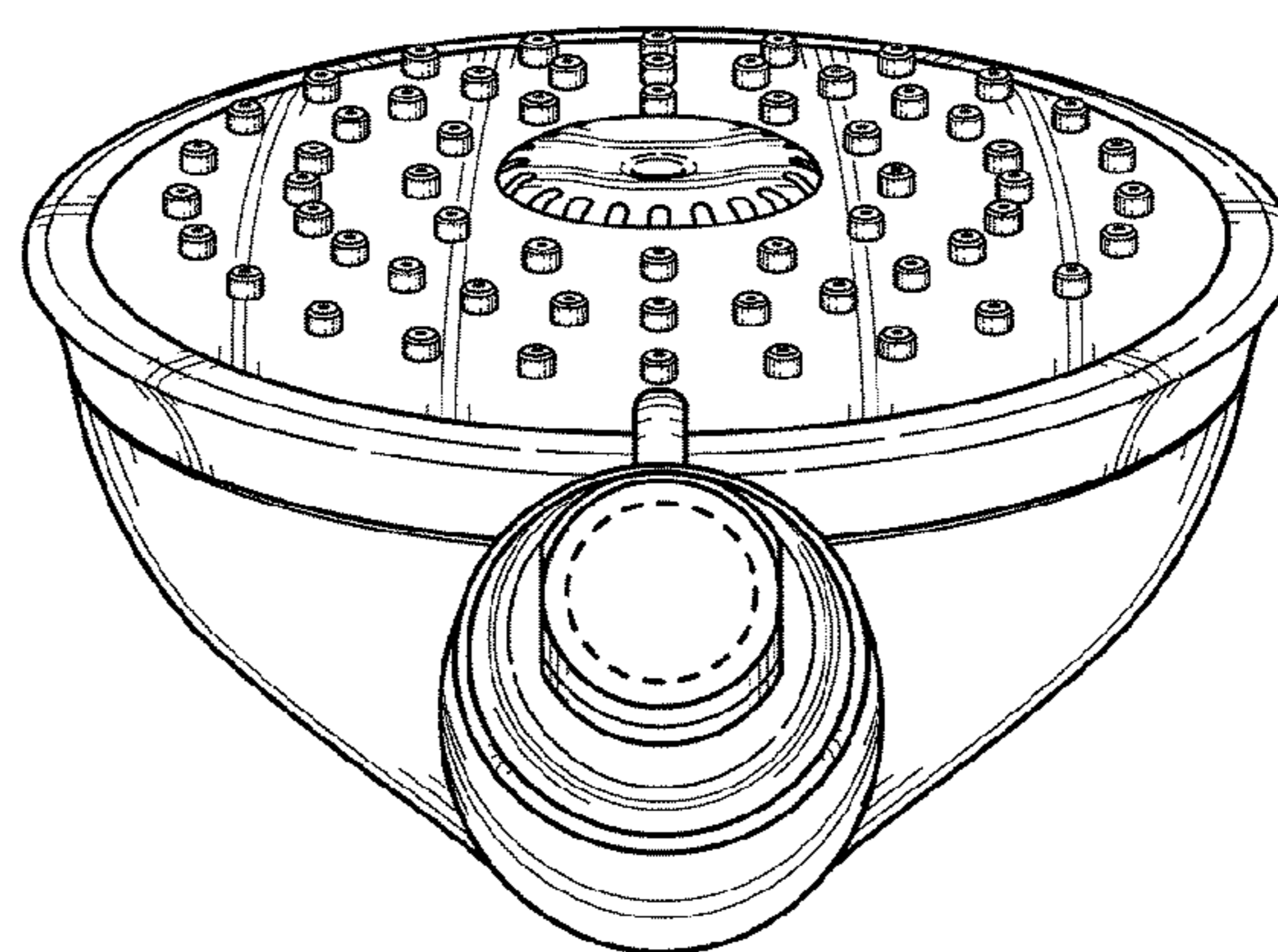


FIG. 6

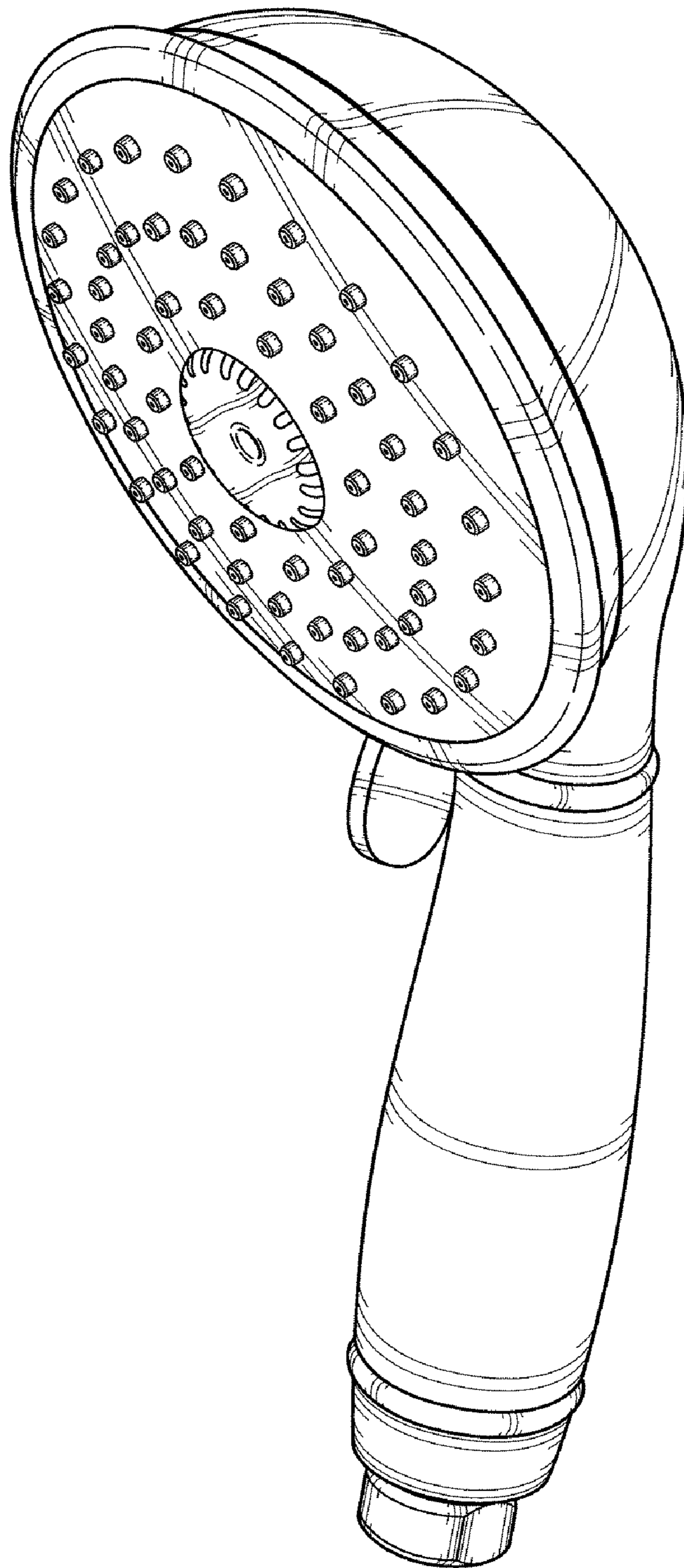


FIG. 7

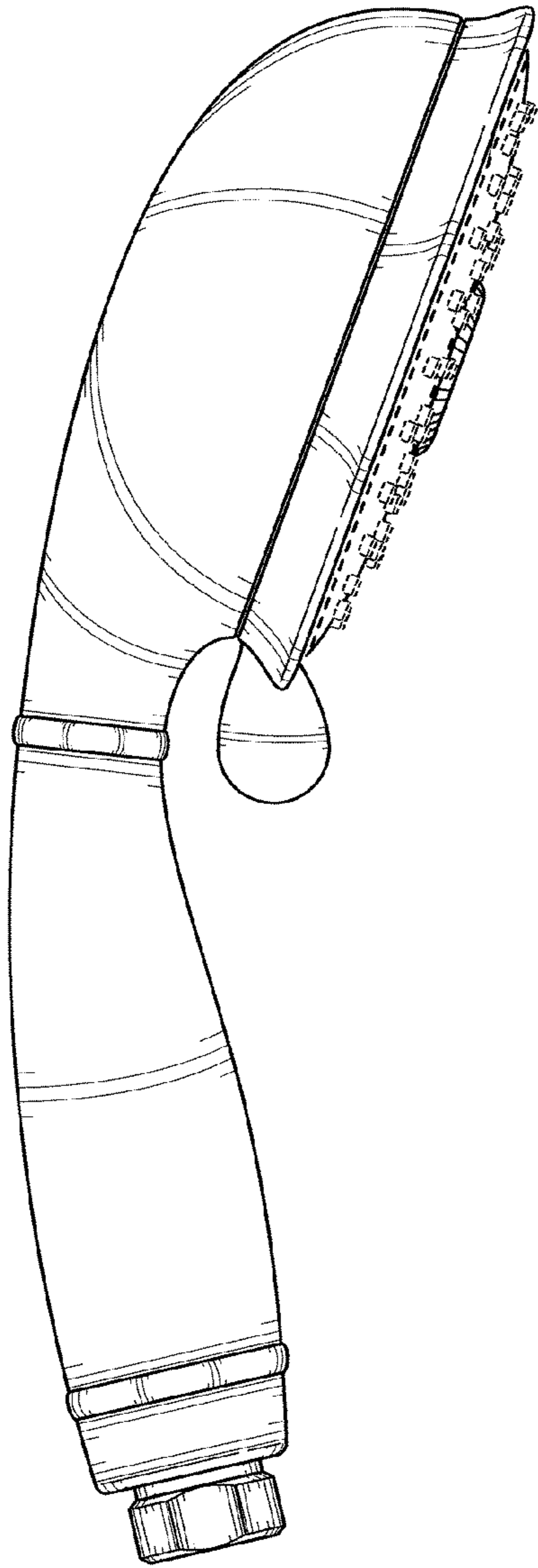


FIG. 8

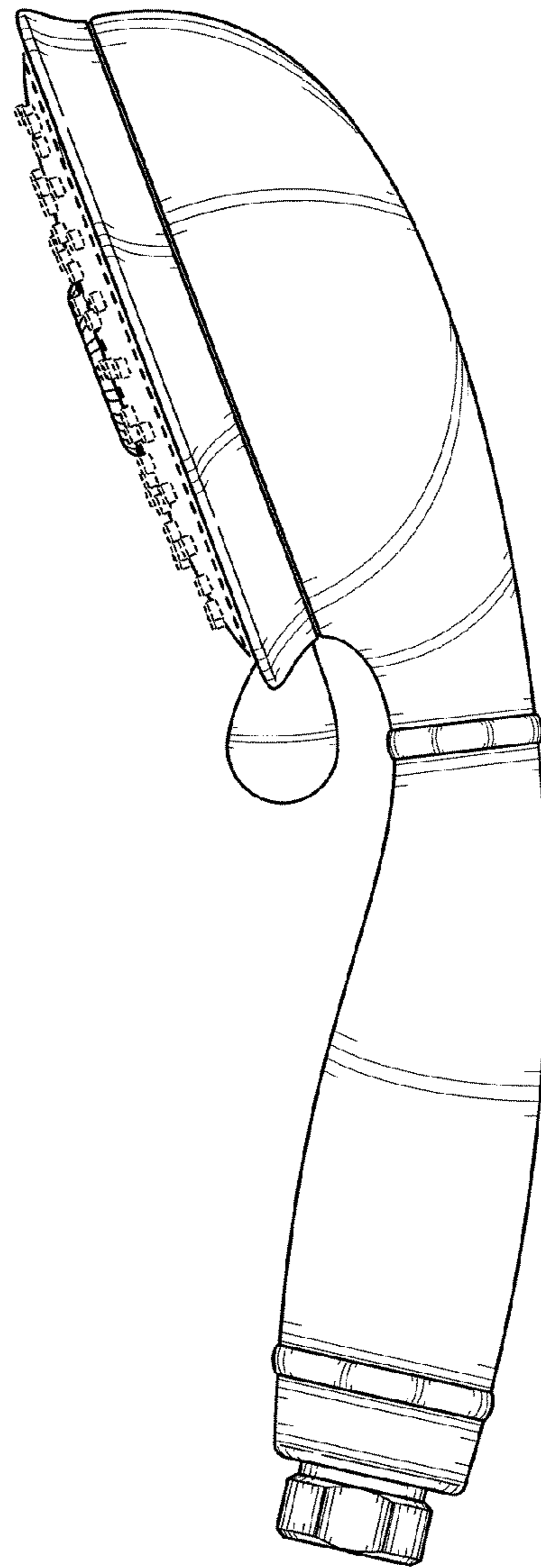


FIG. 9

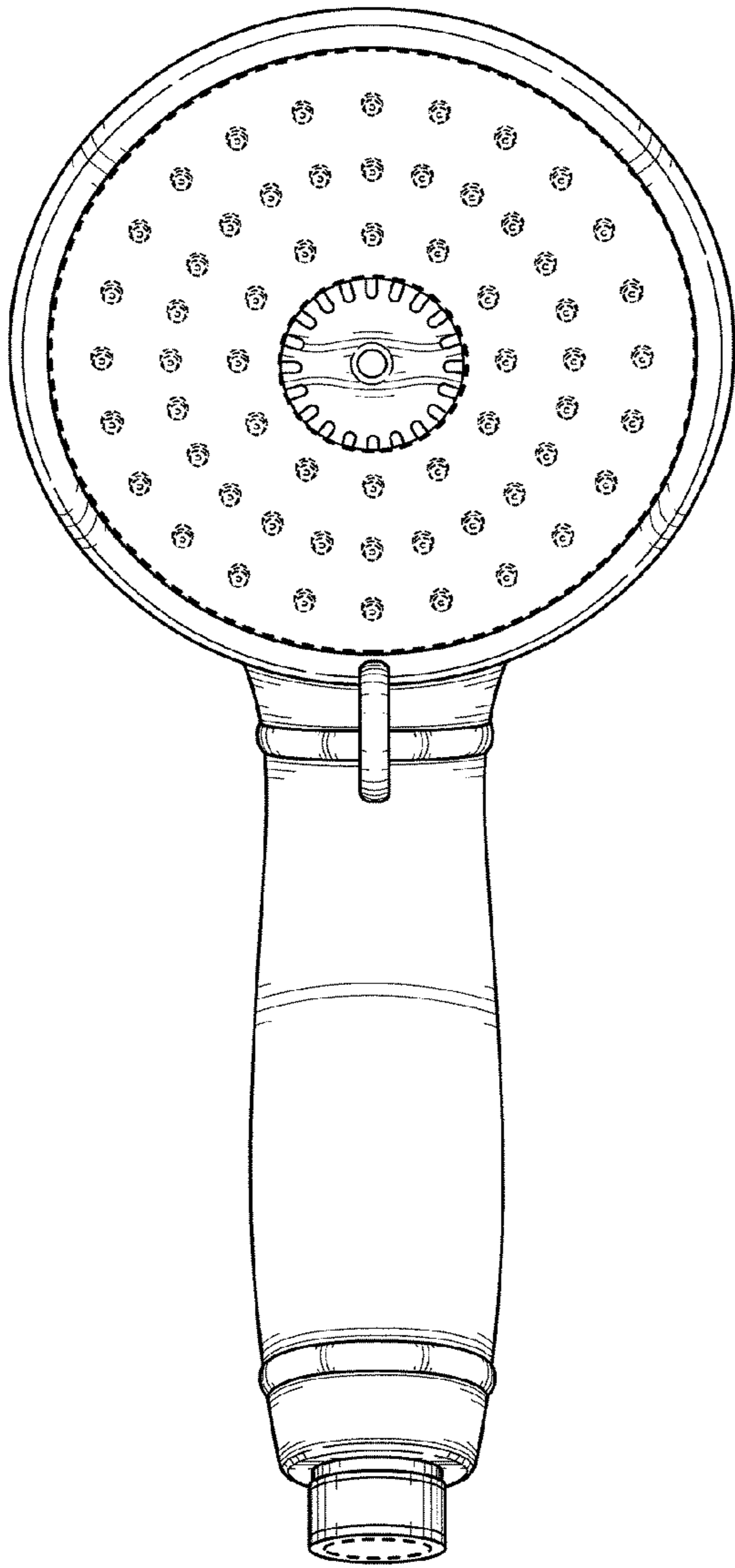


FIG. 10

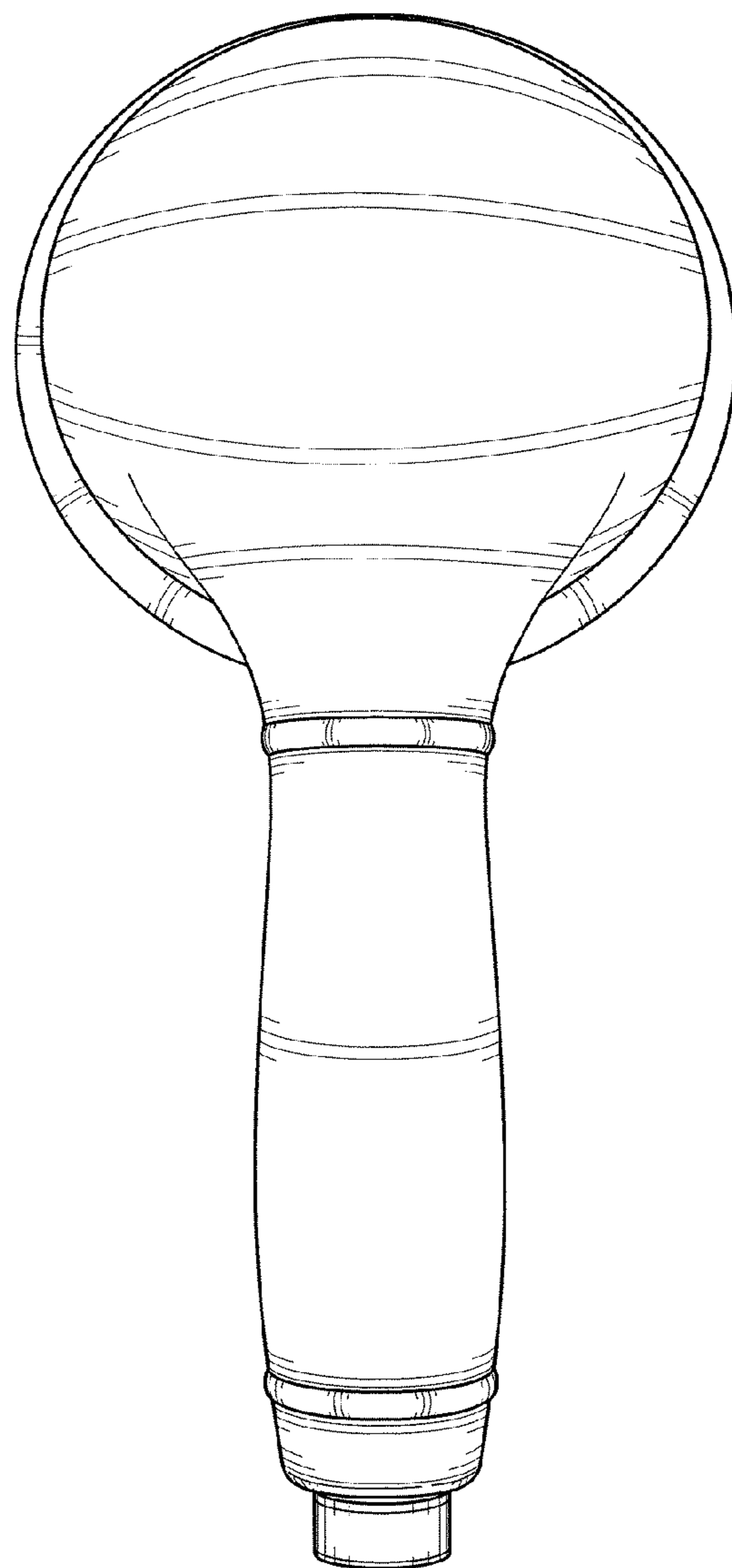


FIG. 11

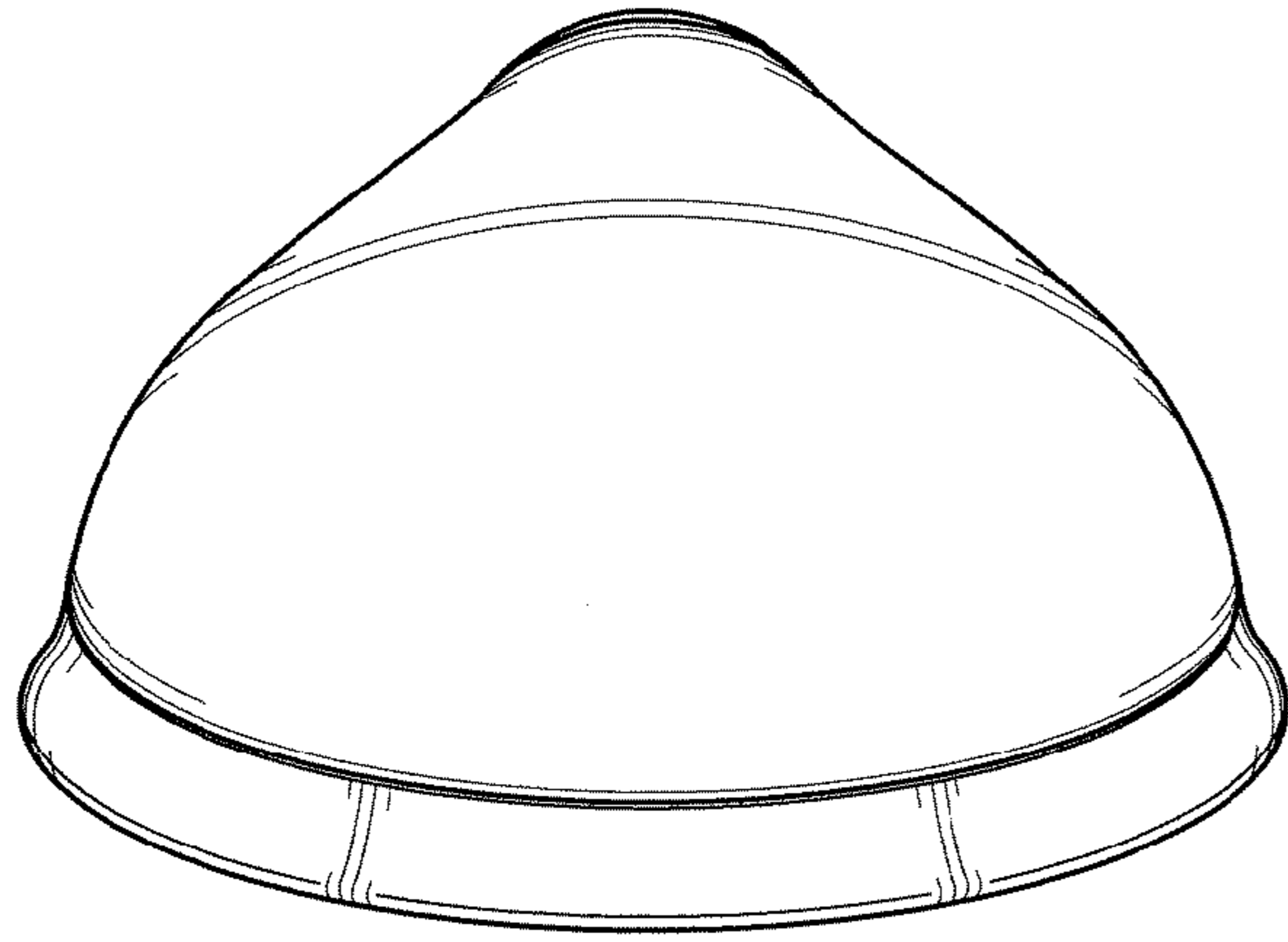


FIG. 12

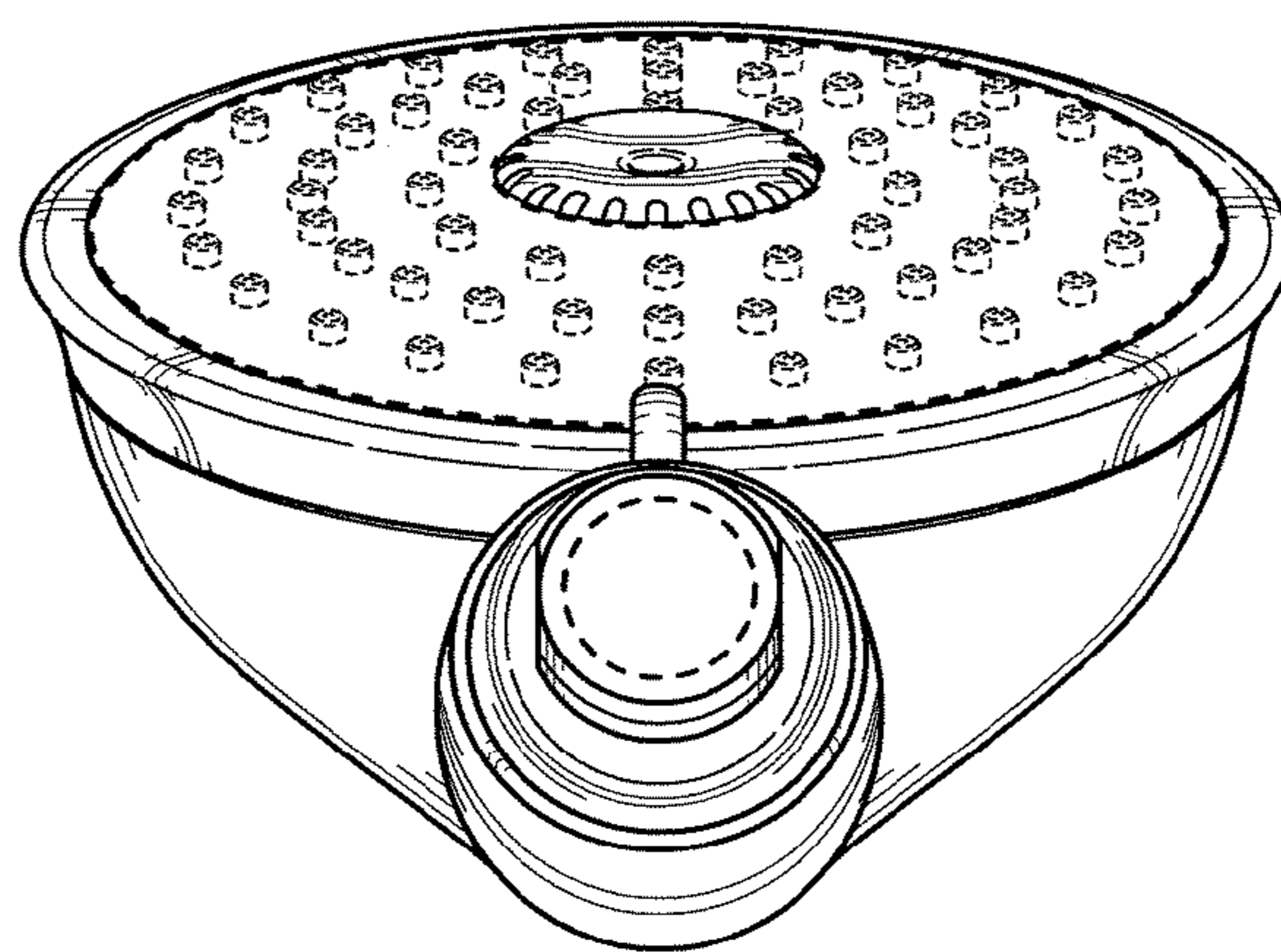


FIG. 13

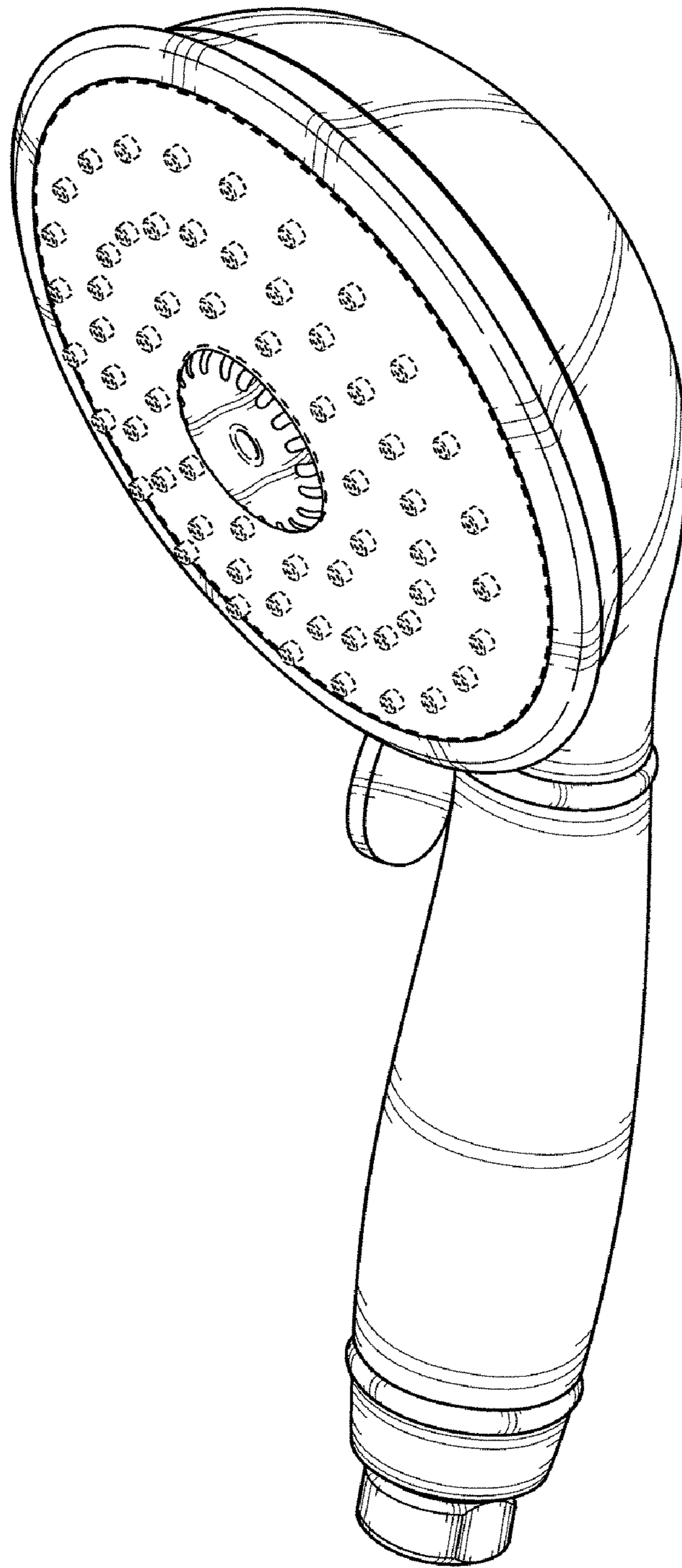


FIG. 14