



US00D655379S

(12) **United States Design Patent**
Doyle et al.

(10) **Patent No.:** **US D655,379 S**
(45) **Date of Patent:** **** Mar. 6, 2012**

(54) **SWIMMING POOL FILTRATION UNIT**

Primary Examiner — Robin V Webster

(74) *Attorney, Agent, or Firm* — Dilworth & Barrese, LLP.

(75) Inventors: **Adam Doyle**, MT Gravatt (AU); **John Mansell**, MT Gravatt (AU); **Ross Leslie Palmer**, MT Gravatt (AU); **Istvan Galambos**, MT Gravatt (AU); **Aaron Kelly**, MT Gravatt (AU)

(57) **CLAIM**

The ornamental design for a swimming pool filtration unit, as shown and described.

(73) Assignee: **Poolrite Research Pty Ltd**, Mt Gravatt, Queensland (AU)

DESCRIPTION

(**) Term: **14 Years**

FIG. 1 is an upper perspective view of the top, front and right sides of the swimming pool filtration unit showing our new design;

(21) Appl. No.: **29/391,254**

FIG. 2 is an upper perspective view of the top, front and left sides of the swimming pool filtration unit of FIG. 1;

(22) Filed: **May 5, 2011**

FIG. 3 is a right side elevational view of the swimming pool filtration unit of FIGS. 1 and 2;

(30) **Foreign Application Priority Data**

Nov. 12, 2010 (AU) 334420

FIG. 4 is a front elevational view of the swimming pool filtration unit of FIGS. 1-3;

(51) **LOC (9) Cl.** **23-01**

FIG. 5 is a rear elevational view of the swimming pool filtration unit of FIGS. 1-4;

(52) **U.S. Cl.** **D23/210; D23/209**

FIG. 6 is a left side elevational view of the swimming pool filtration unit of FIGS. 1- 5; and

(58) **Field of Classification Search** D23/207-210; 210/416.2, 167.1, 167.12, 167.13, 167.16

See application file for complete search history.

FIG. 7 is a top plan view of the swimming pool filtration unit of FIGS. 1-6;

(56) **References Cited**

U.S. PATENT DOCUMENTS

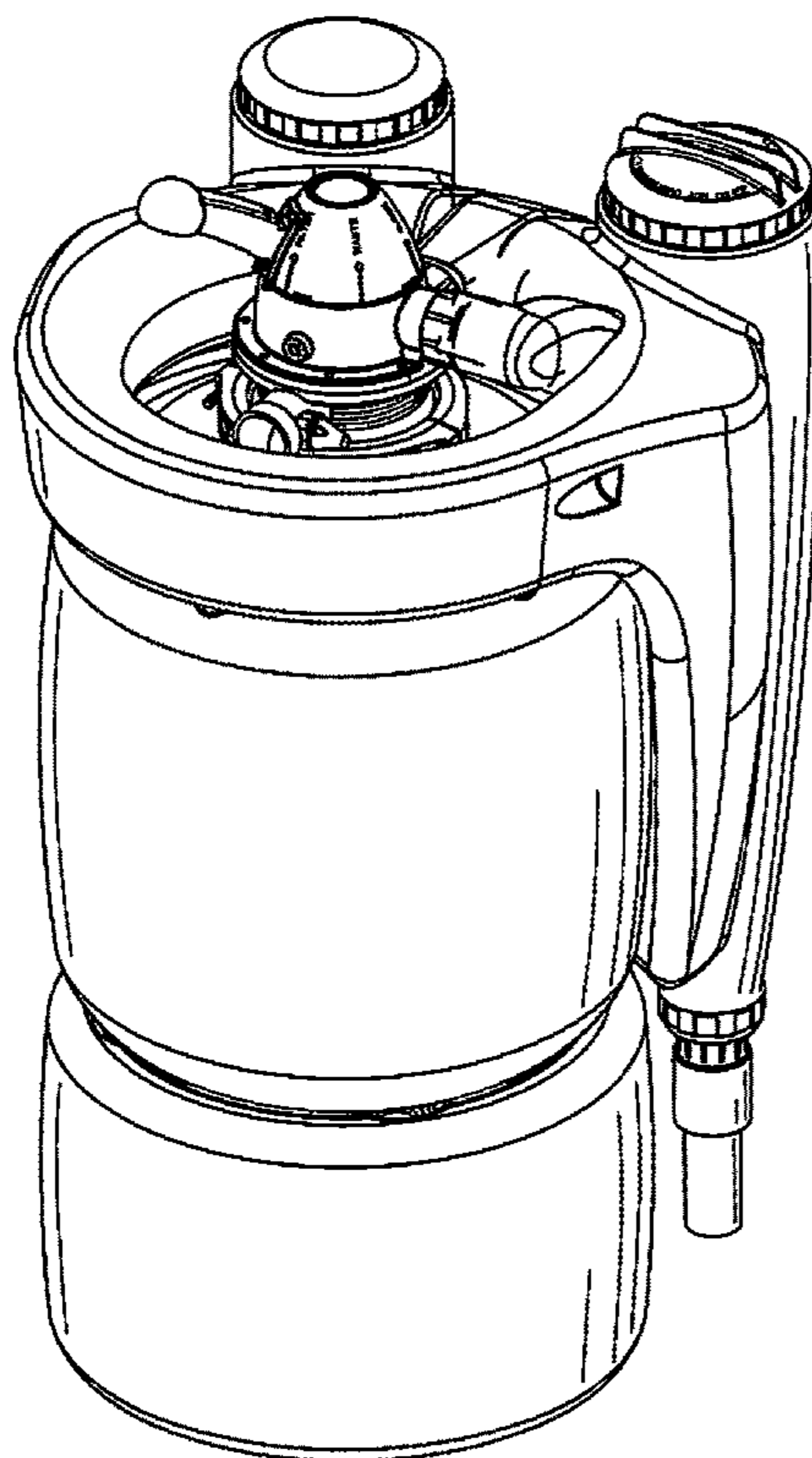
4,622,137 A * 11/1986 Kessler 210/167.13

FIG. 8 is a bottom plan view of the swimming pool filtration unit of FIGS. 1-7; and,

FIG. 9 is an upper perspective view of the top, rear and left sides of the swimming pool filtration unit of FIGS. 1-8.

(Continued)

1 Claim, 9 Drawing Sheets



US D655,379 S

Page 2

U.S. PATENT DOCUMENTS			
4,657,673	A *	4/1987	Kessler 210/108
5,810,999	A *	9/1998	Bachand et al. 210/206
D428,469	S *	7/2000	Puiggros Roig D23/209
D477,383	S *	7/2003	Desjoyaux et al. D23/209
7,081,200	B2 *	7/2006	Planas Valls 210/232
7,794,591	B2 *	9/2010	Nibler et al. 210/167.12
7,815,796	B2 *	10/2010	Nibler et al. 210/167.12

* cited by examiner

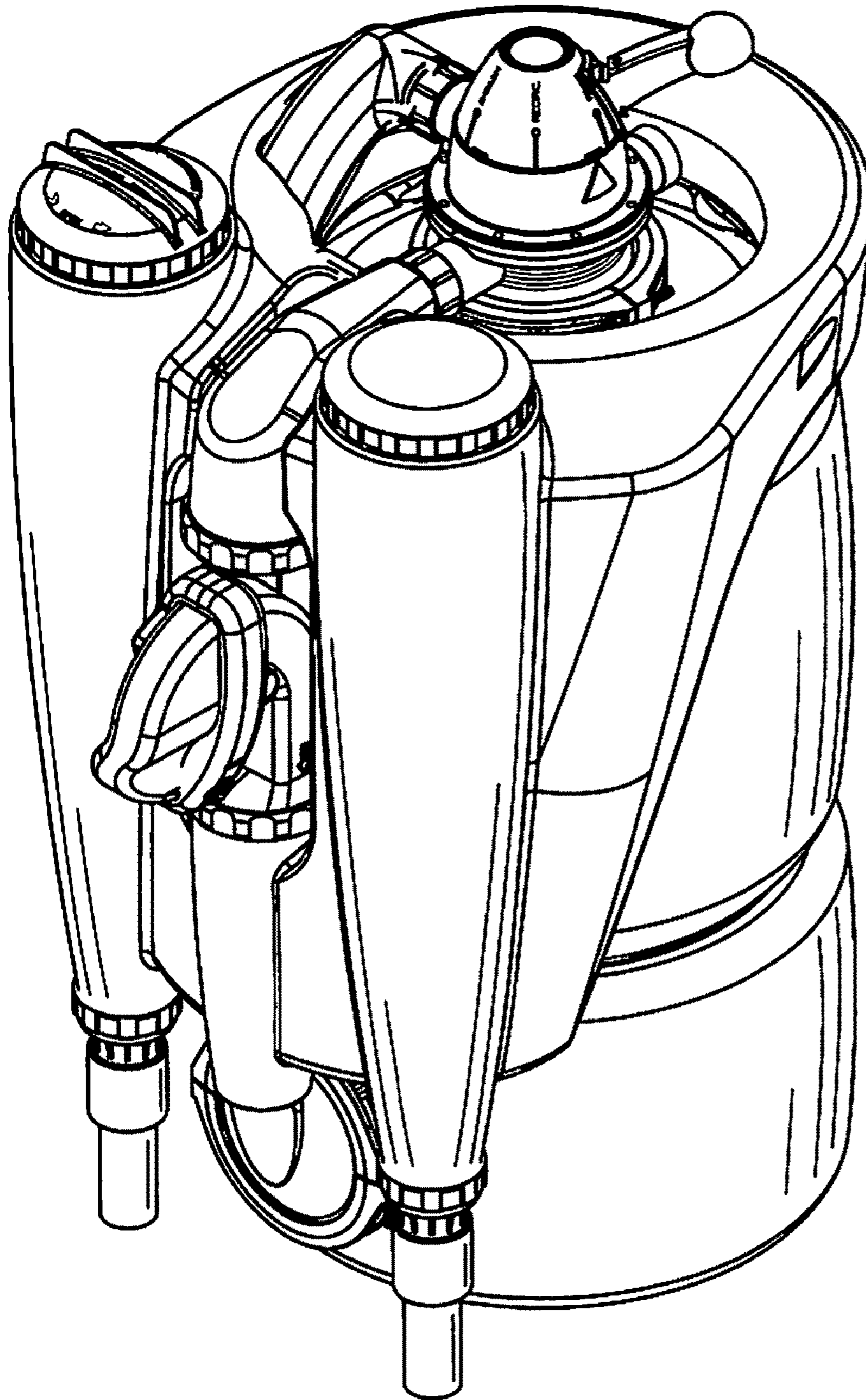


Fig. 1

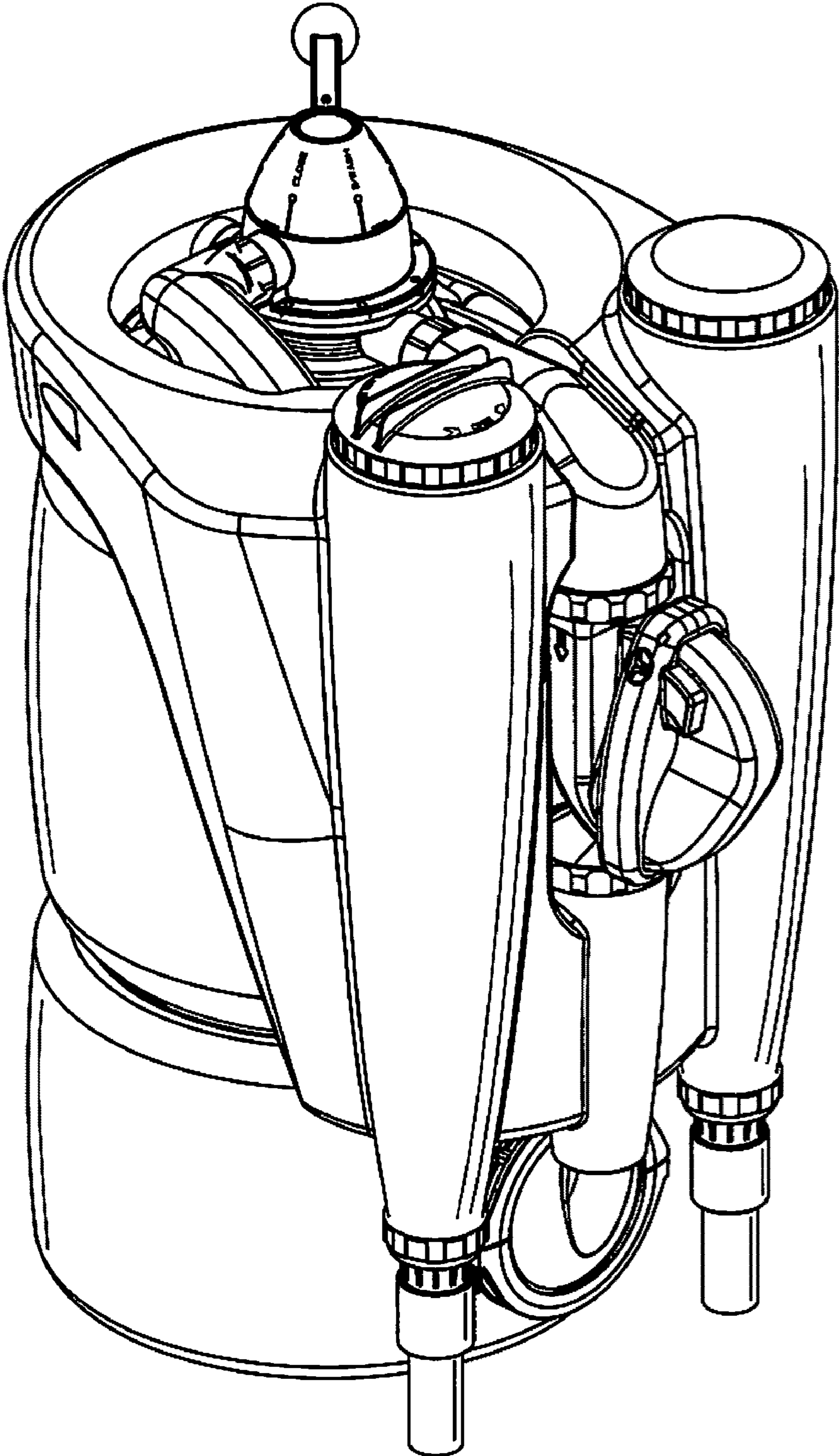


Fig. 2

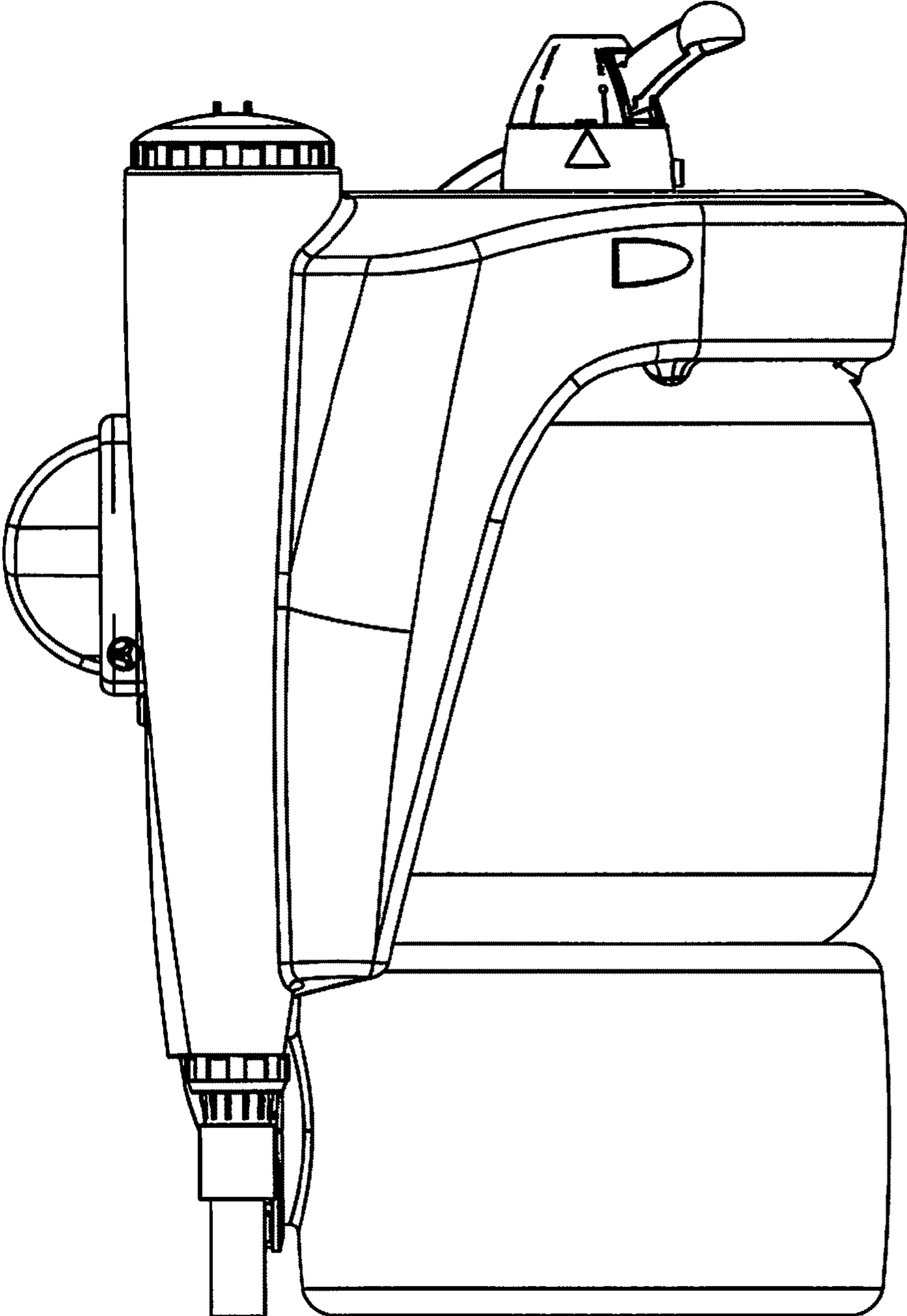


Fig. 3

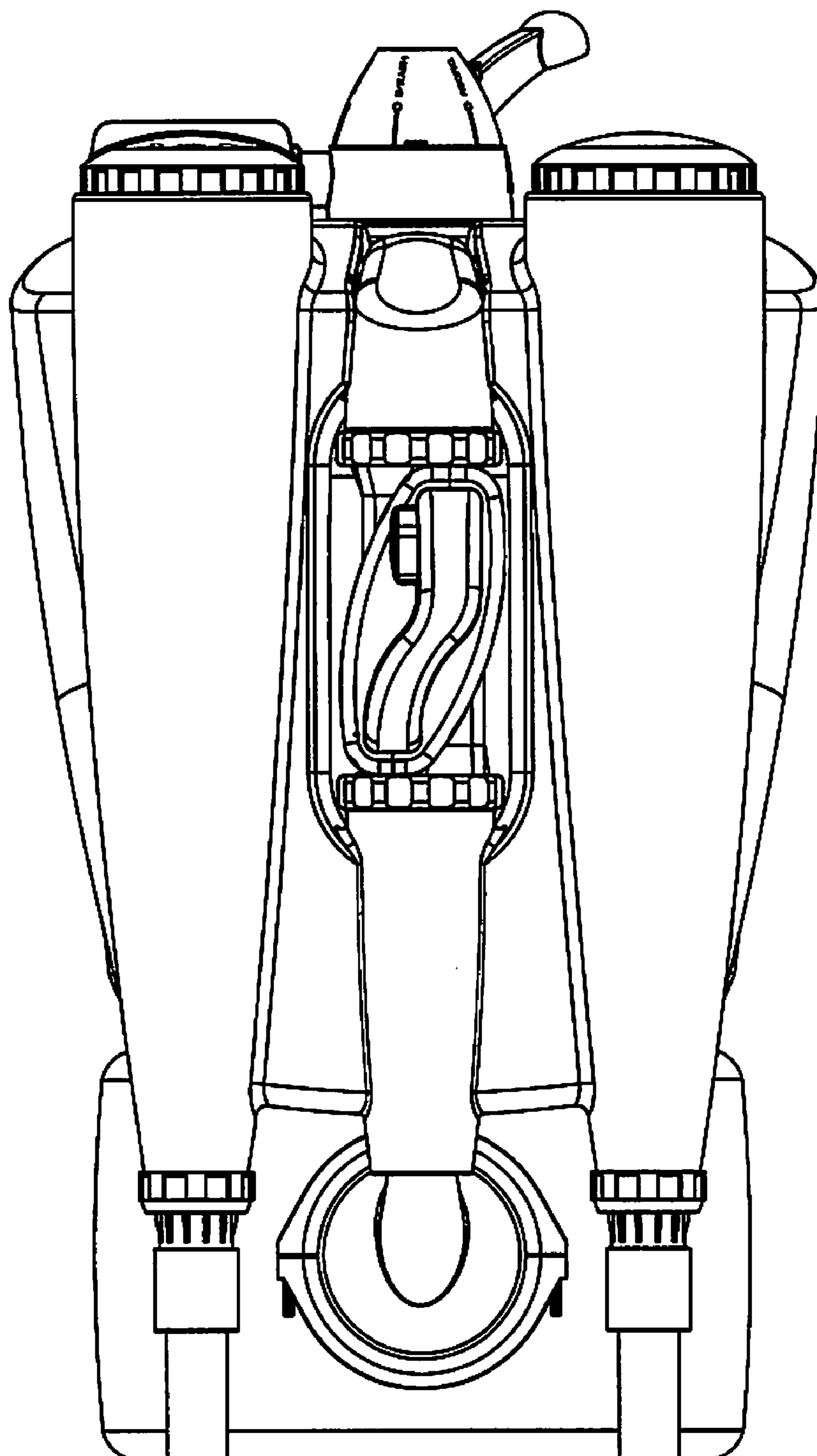


Fig. 4

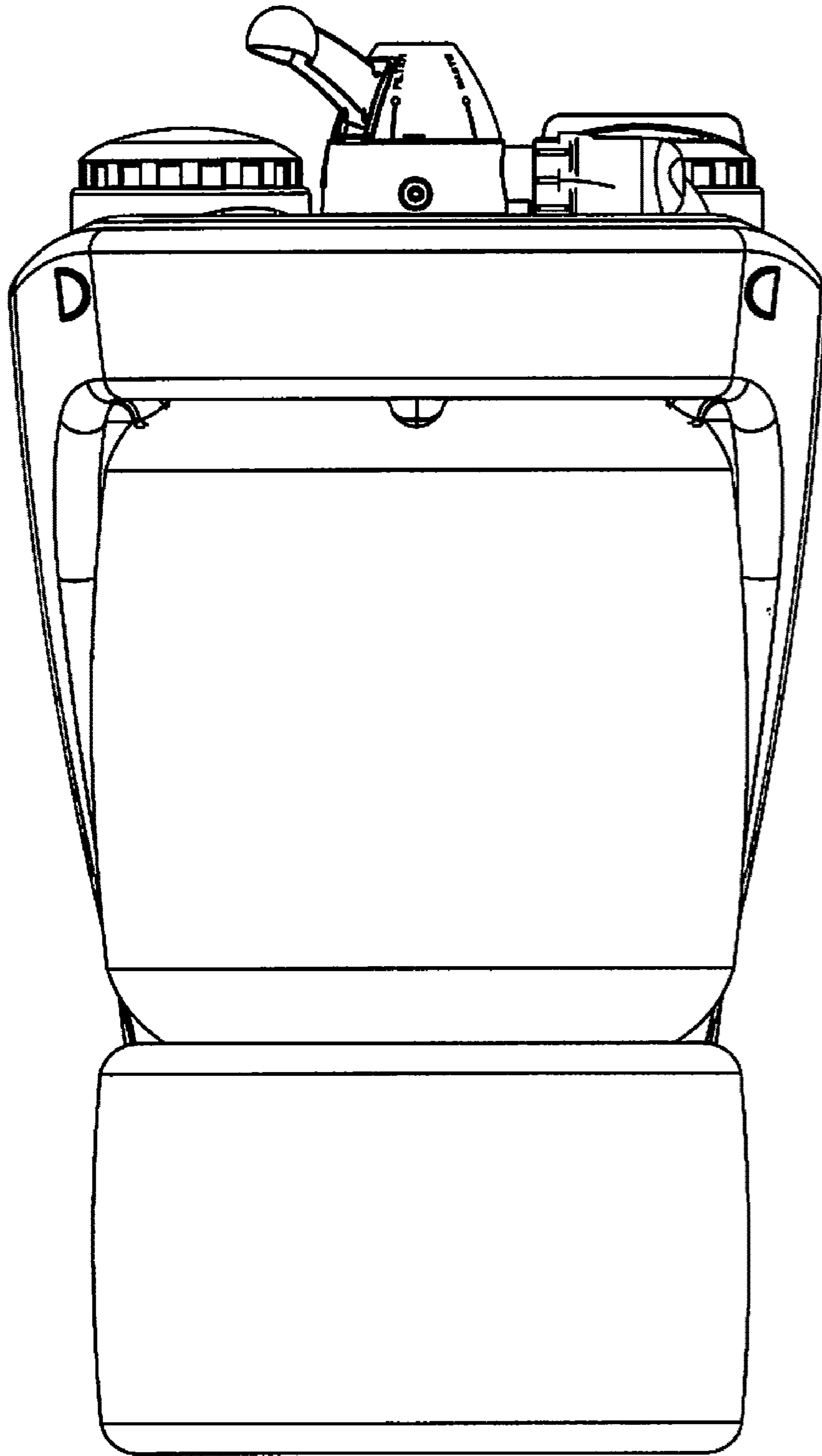


Fig. 5

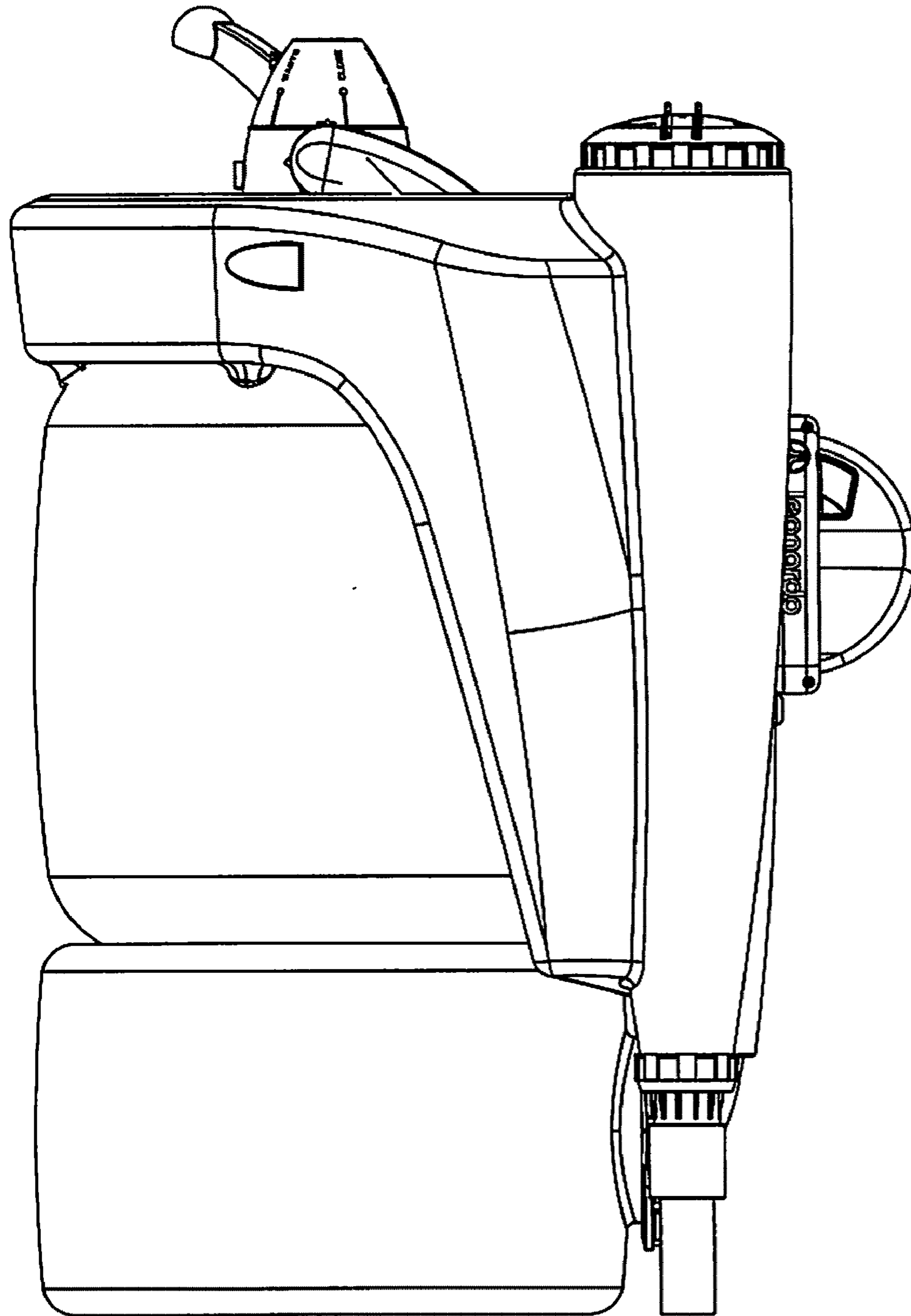


Fig. 6

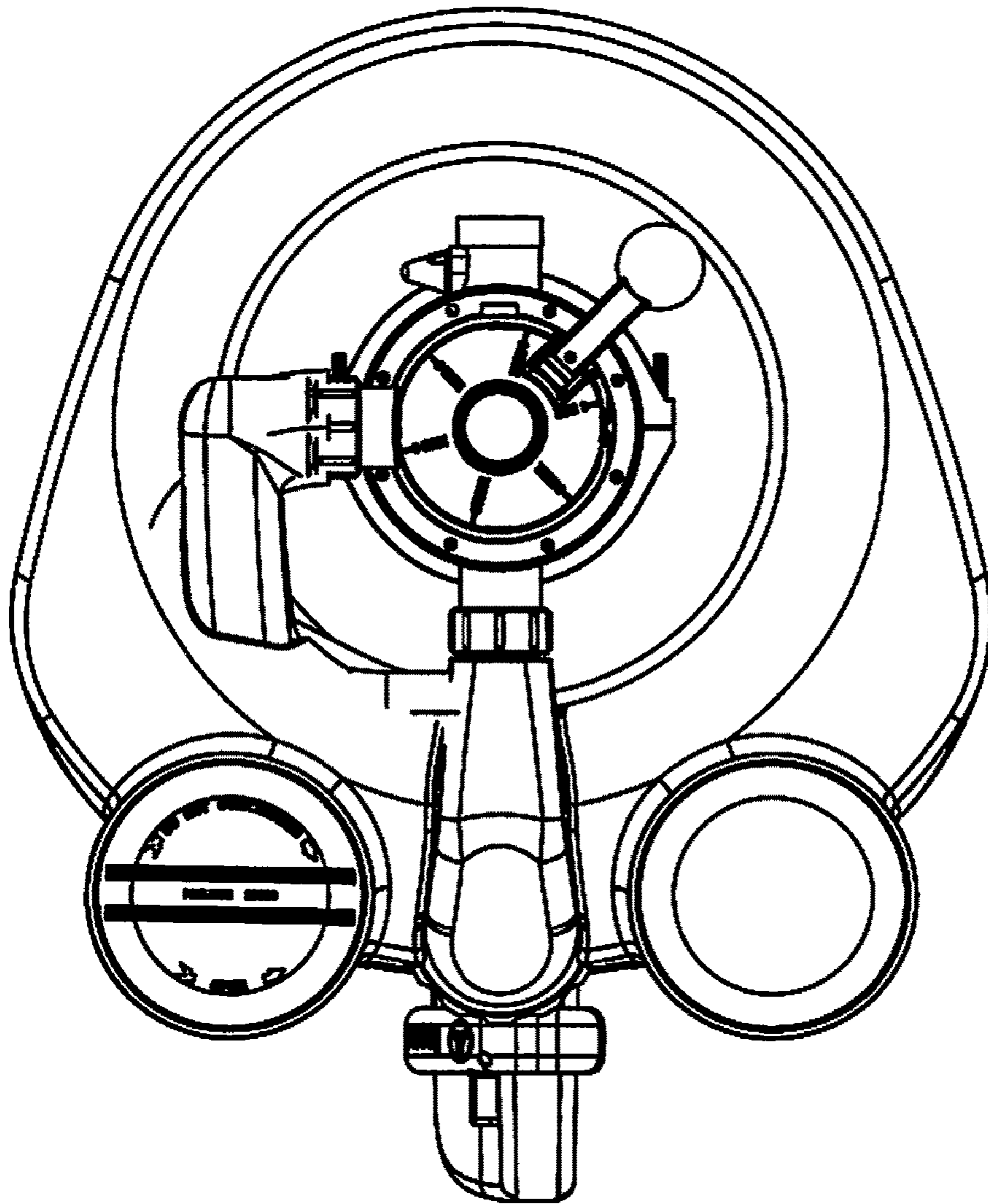


Fig. 7

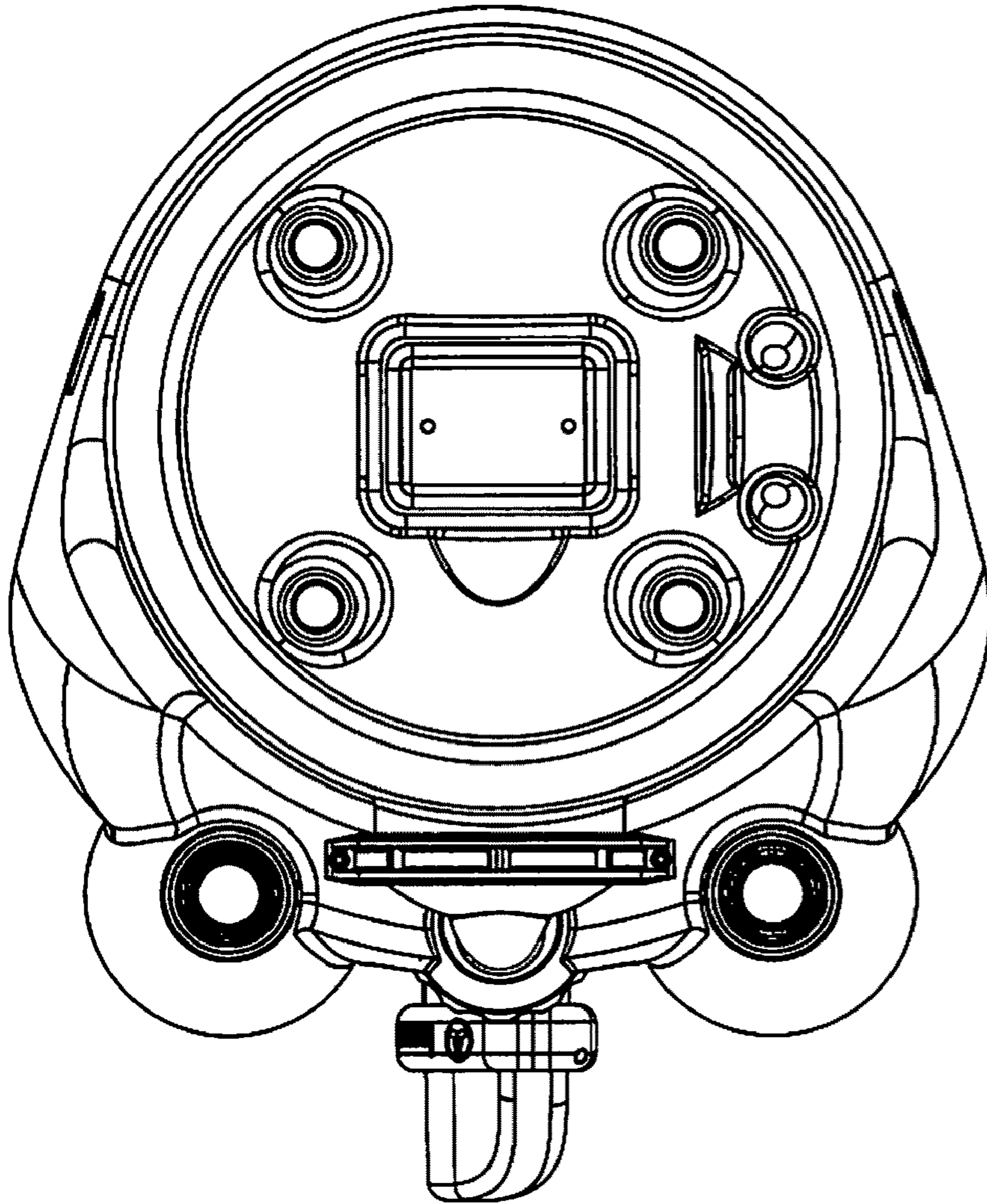


Fig. 8

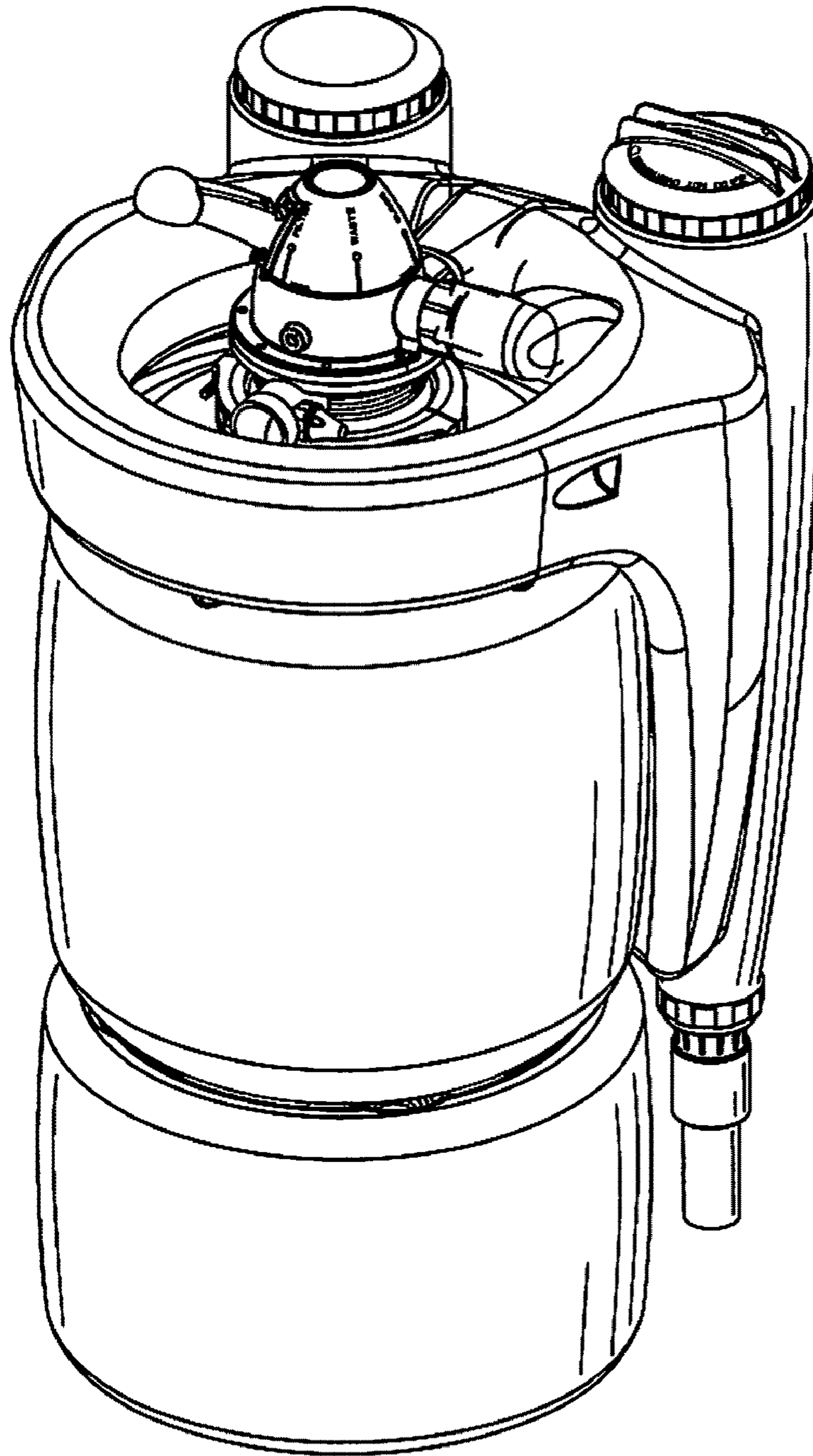


Fig. 9