



US00D655375S

(12) **United States Design Patent**
Sheppard et al.

(10) **Patent No.:** **US D655,375 S**
(45) **Date of Patent:** **** Mar. 6, 2012**

(54) **WATER FILTRATION CONTAINER**
(75) Inventors: **Nasahn Adam Sheppard**, Mill Valley, CA (US); **Dominik Heinz Langhammer**, San Francisco, CA (US); **Joern Vicari**, Brooklyn, NY (US); **Maarten Dinger**, San Francisco, CA (US); **Shannon Leigh Koy**, Berkeley, CA (US)

(73) Assignee: **PUR Water Purification Products, Inc.**, Cincinnati, OH (US)

(**) Term: **14 Years**

(21) Appl. No.: **29/391,608**

(22) Filed: **May 11, 2011**

(51) **LOC (9) Cl.** **23-01**

(52) **U.S. Cl.** **D23/209**

(58) **Field of Classification Search** D23/207, D23/209, 212; D7/300, 312, 316-319; 210/85, 210/266, 282, 321.6, 470, 482; 222/130, 222/131, 189.07, 465.1; 215/6; 220/521

See application file for complete search history.

(56) **References Cited**

U.S. PATENT DOCUMENTS

D36,394 S	6/1903	Goetze
D173,455 S	11/1954	Reinecke et al.
D180,049 S	4/1957	Tupper et al.
2,805,561 A	9/1957	Emmert et al.
D244,339 S	5/1977	Wendt
D272,225 S	1/1984	De Coster
4,623,457 A	11/1986	Hankammer
D312,552 S	12/1990	Carlson
D317,547 S	6/1991	Gecchelin
D324,320 S	3/1992	Pedersen
D345,669 S	4/1994	Piret
D350,255 S	9/1994	Daenen et al.
D362,583 S	9/1995	Weber et al.
D365,963 S	1/1996	Feer
D377,437 S	1/1997	Magnusson
5,637,214 A	6/1997	Kahana
D382,763 S	8/1997	Jeppesen et al.
D383,351 S	9/1997	DeMore

D386,041 S	11/1997	Tanner et al.
D386,944 S	12/1997	Demore et al.
D388,655 S	1/1998	Flom et al.
D389,004 S	1/1998	Hampshire et al.
D389,006 S	1/1998	Demore et al.
D393,175 S	4/1998	Chang
D398,184 S	9/1998	Silverberg et al.
D400,755 S	11/1998	Ferlin, Jr.
5,830,360 A	11/1998	Mozayeni
D406,003 S	2/1999	Tanner et al.
5,882,507 A	3/1999	Tanner et al.
D415,922 S	11/1999	Kawasaki et al.
D416,163 S	11/1999	Doritty et al.
D418,714 S	1/2000	Fox et al.
D419,027 S	1/2000	Haslem et al.

(Continued)

Primary Examiner — Cathron C. Brooks

Assistant Examiner — Maurice Stevens

(74) *Attorney, Agent, or Firm* — Amanda T. Barry; Cynthia L. Clay

(57) **CLAIM**

The ornamental design for a water filtration container, as shown and described.

DESCRIPTION

The patent or application file contains at least one drawing executed in color. Copies of this patent or patent application publication with color drawing(s) will be provided by the Office upon request and payment of the necessary fee.

FIG. 1 is a perspective view of an embodiment of a water filtration container illustrating our new design;

FIG. 2 is a left side elevational view thereof;

FIG. 3 is a right side elevational view thereof;

FIG. 4 is a front side elevational view thereof;

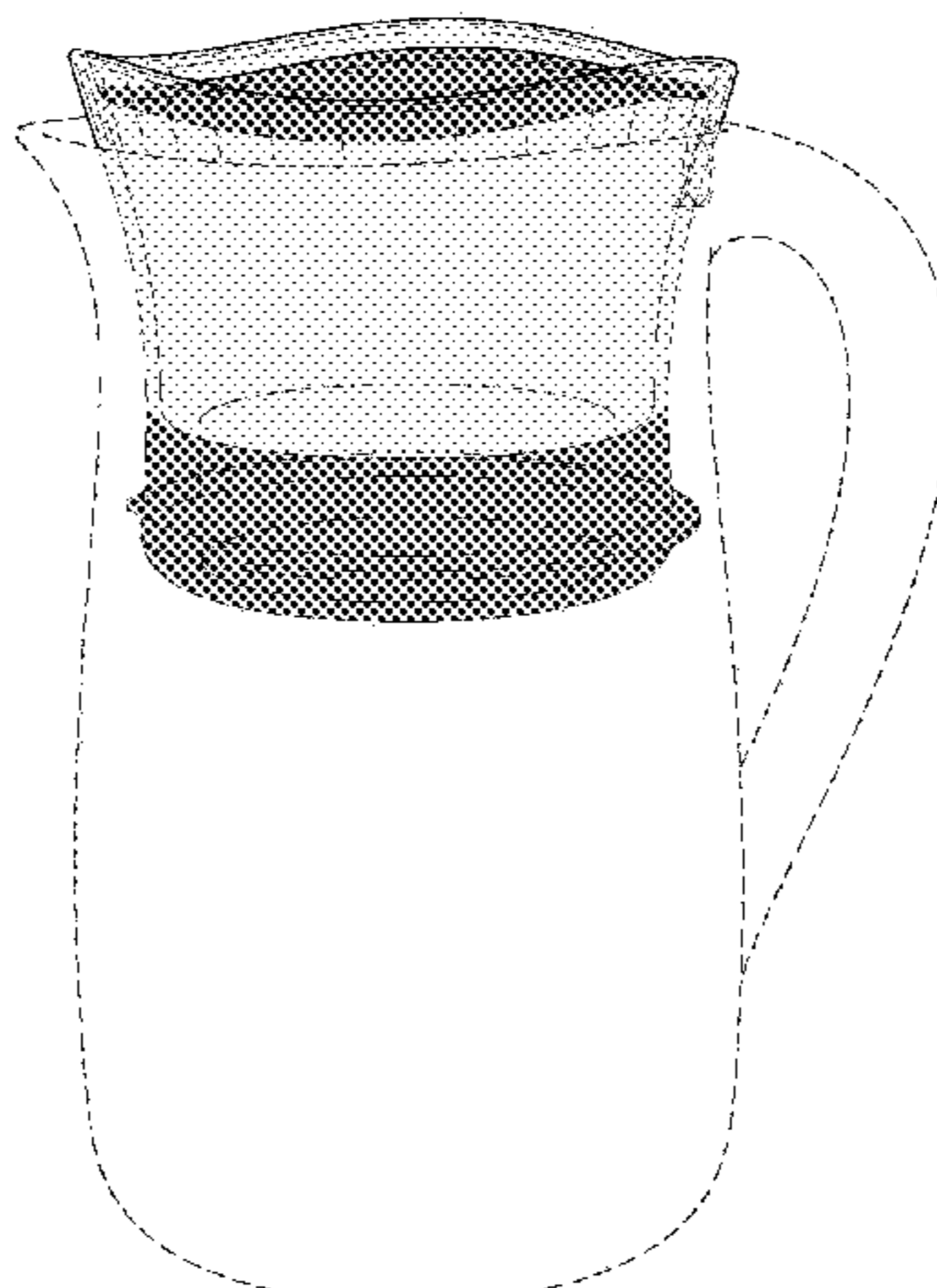
FIG. 5 is a back side elevational view thereof;

FIG. 6 is a top planar view thereof; and,

FIG. 7 is a bottom planar view thereof.

The broken lines in the drawings represent portions of the water filtration container that form no part of the claimed design.

1 Claim, 6 Drawing Sheets
(6 of 6 Drawing Sheet(s) Filed in Color)



US D655,375 S

Page 2

U.S. PATENT DOCUMENTS

D421,361 S	3/2000	Coulson et al.	D524,087 S	7/2006	Ali
6,103,114 A	8/2000	Tanner et al.	7,107,838 B2 *	9/2006	Chai et al. 73/304 R
D430,449 S	9/2000	Yeh	D542,077 S	5/2007	Claypool et al.
D439,790 S	4/2001	Matsushita et al.	D546,113 S *	7/2007	Ruoff D7/319
D440,110 S	4/2001	Tanner et al.	D550,020 S	9/2007	Pettaweebuncha
D444,662 S	7/2001	McGrath et al.	7,297,283 B2	11/2007	Ali
D444,843 S	7/2001	Hilgers et al.	D560,092 S	1/2008	Thuliez
D444,987 S	7/2001	McGrath et al.	D573,394 S *	7/2008	Tullney et al. D7/317
6,254,768 B1	7/2001	Dulieu et al.	D576,250 S	9/2008	Born et al.
6,387,260 B1	5/2002	Pimenov et al.	7,438,799 B2	10/2008	Vandenbelt et al.
6,405,875 B1	6/2002	Cutler	D583,612 S	12/2008	Wu et al.
D460,311 S	7/2002	Chang	D584,913 S	1/2009	Green et al.
6,423,224 B1	7/2002	Tanner et al.	D585,231 S	1/2009	Bulala et al.
6,440,302 B1	8/2002	Leipziger	D594,690 S	6/2009	Bursztein
D465,377 S	11/2002	Murison et al.	D620,304 S *	7/2010	Rajan et al. D7/319
6,524,477 B1	2/2003	Hughes	2002/0020673 A1	2/2002	Nohren et al.
6,651,824 B2	11/2003	Miller	2006/0162806 A1	7/2006	Hengsperger et al.
6,953,523 B2 *	10/2005	Vandenbelt et al. 210/85	2006/0249442 A1	11/2006	Yap et al.
D517,852 S	3/2006	Jalet	2007/0151979 A1	7/2007	Klump et al.
D520,597 S *	5/2006	Witte D23/209	2008/0164266 A1	7/2008	Sun

* cited by examiner

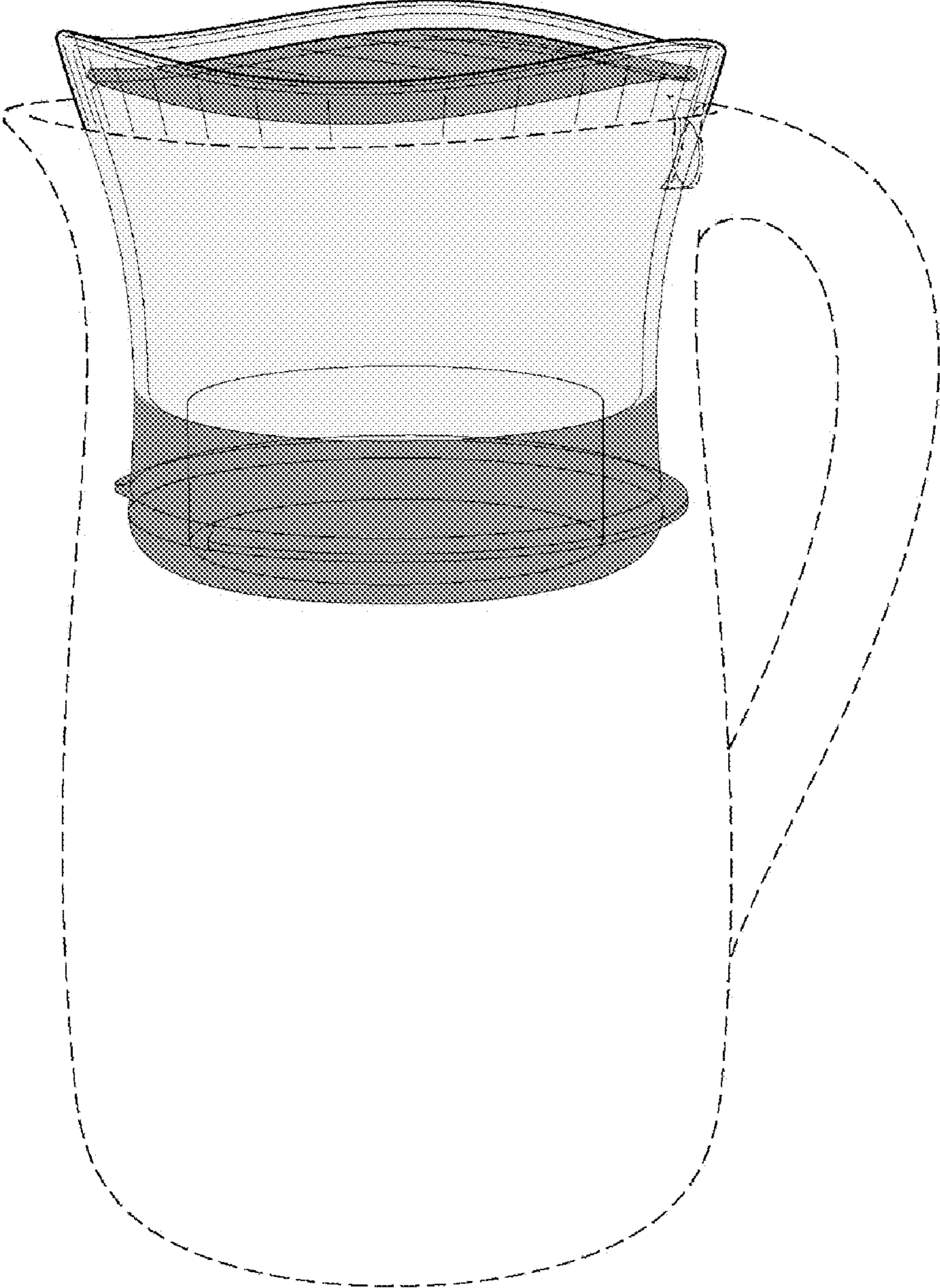


FIG. 1

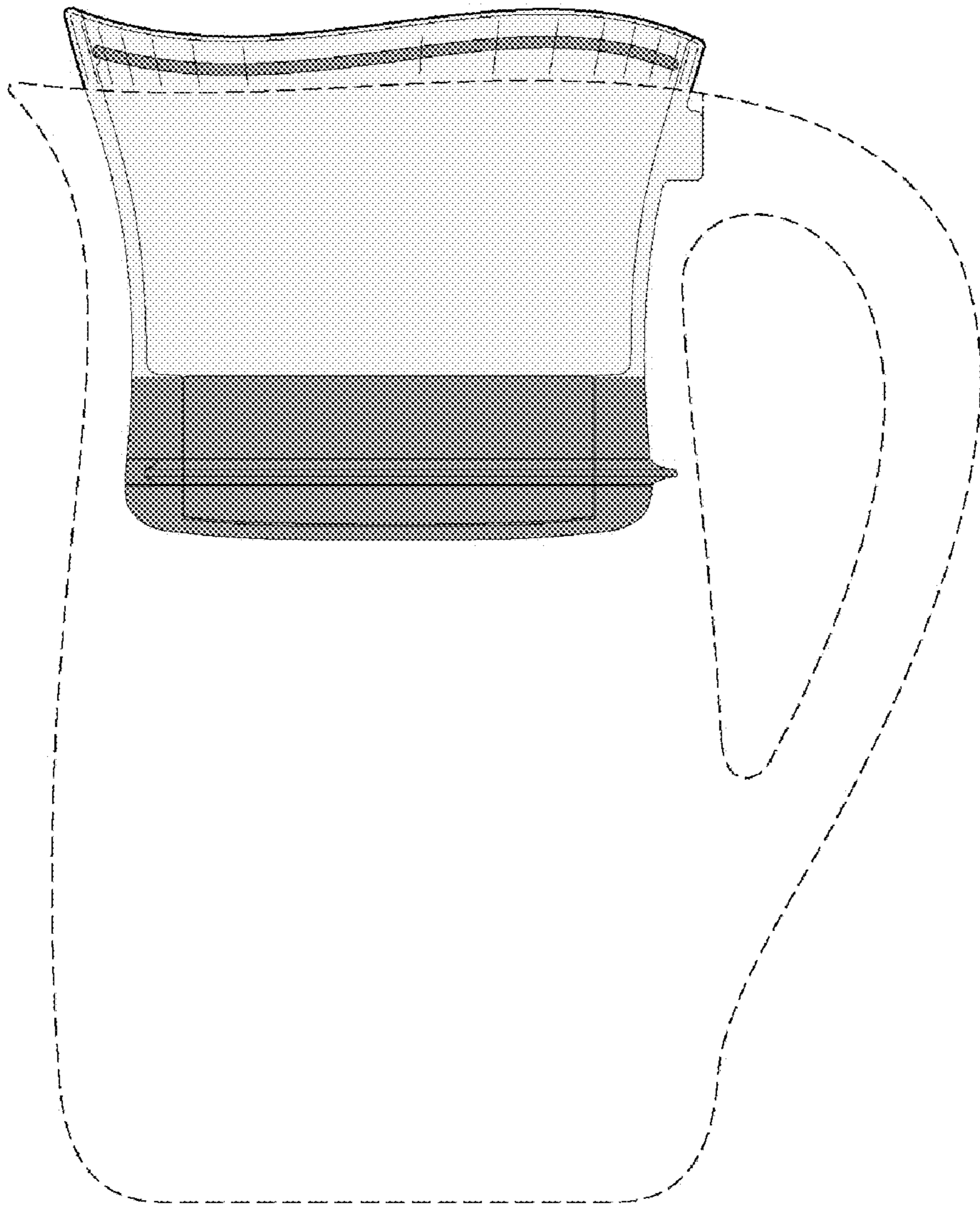


FIG. 2

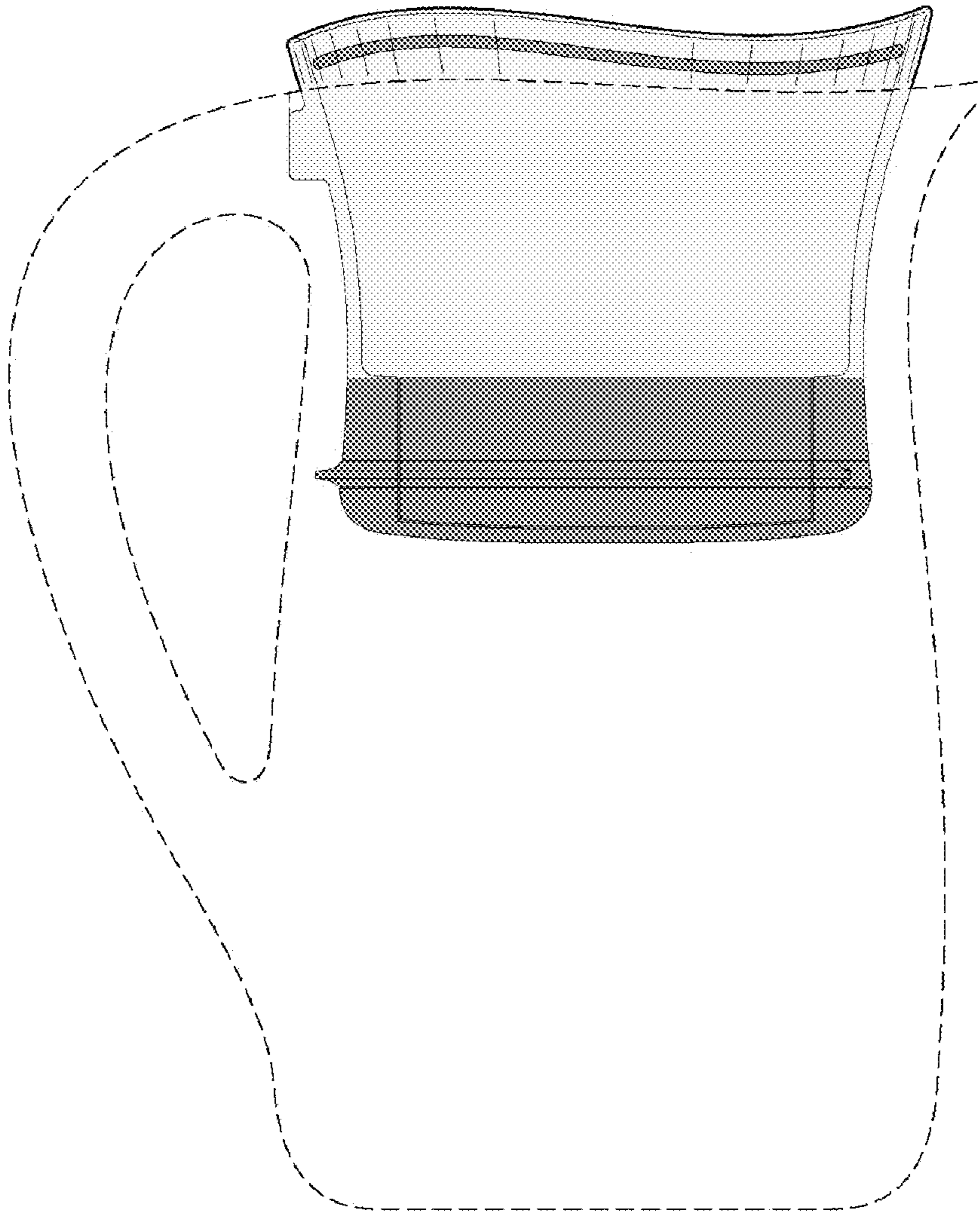


FIG. 3

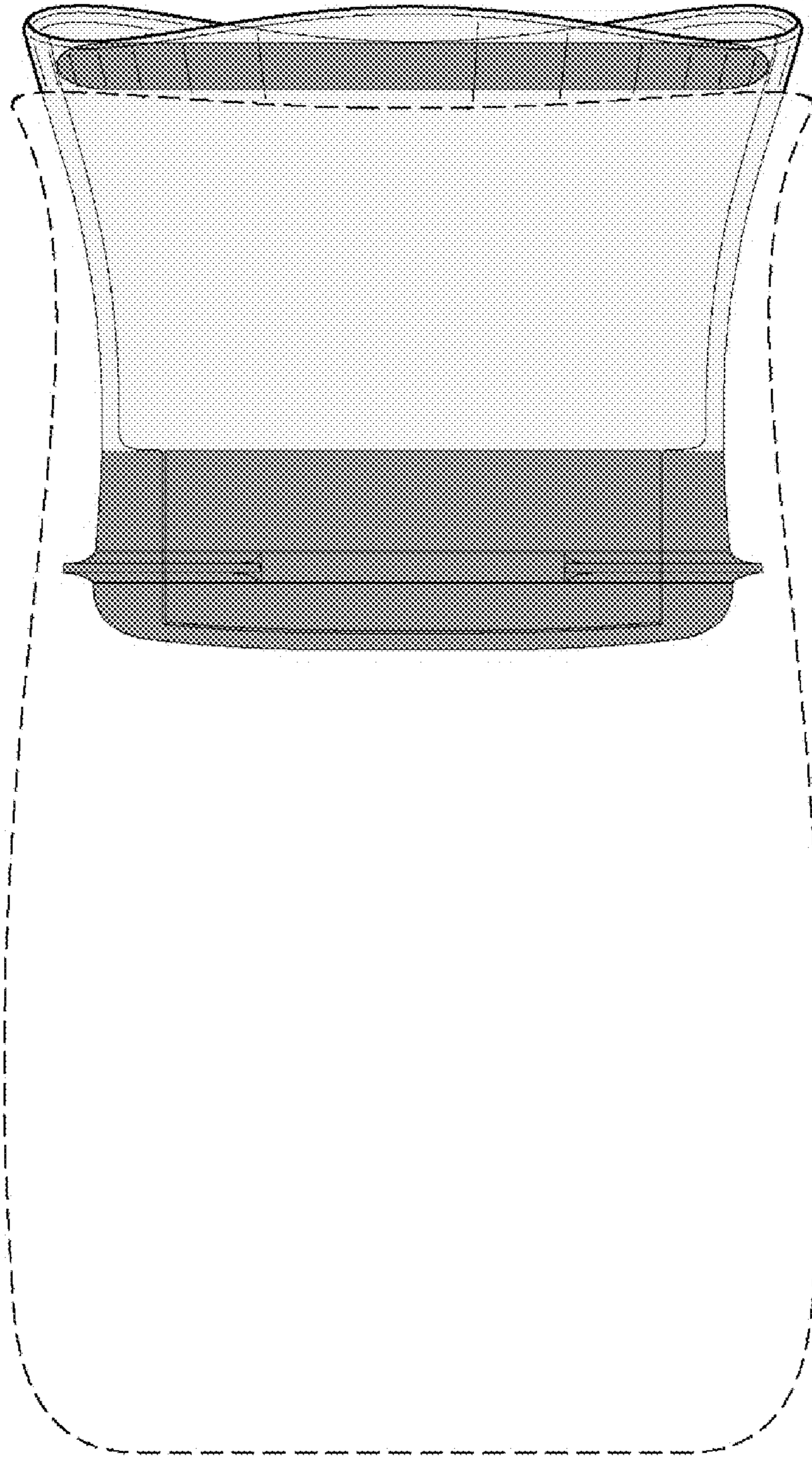


FIG. 4

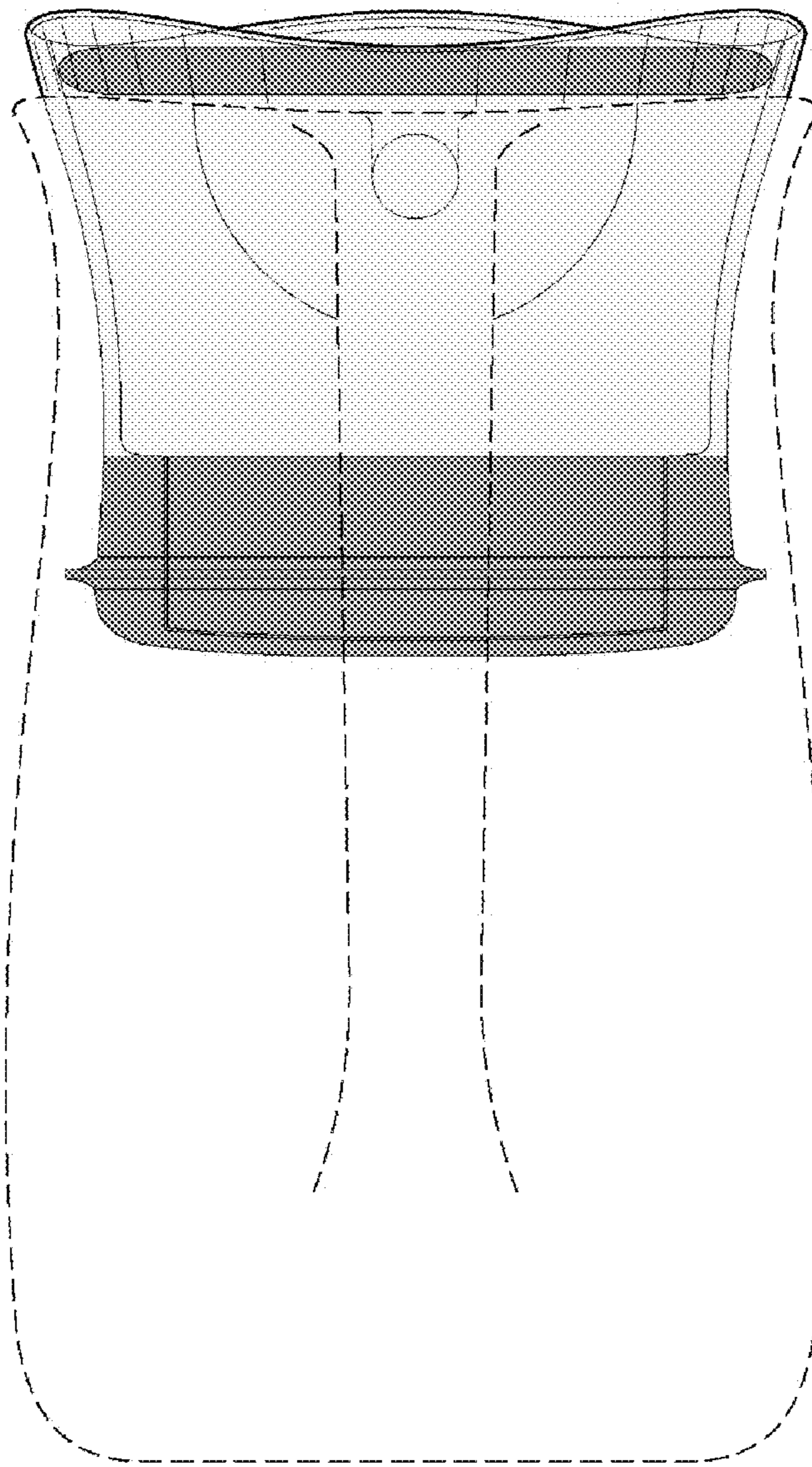


FIG. 5

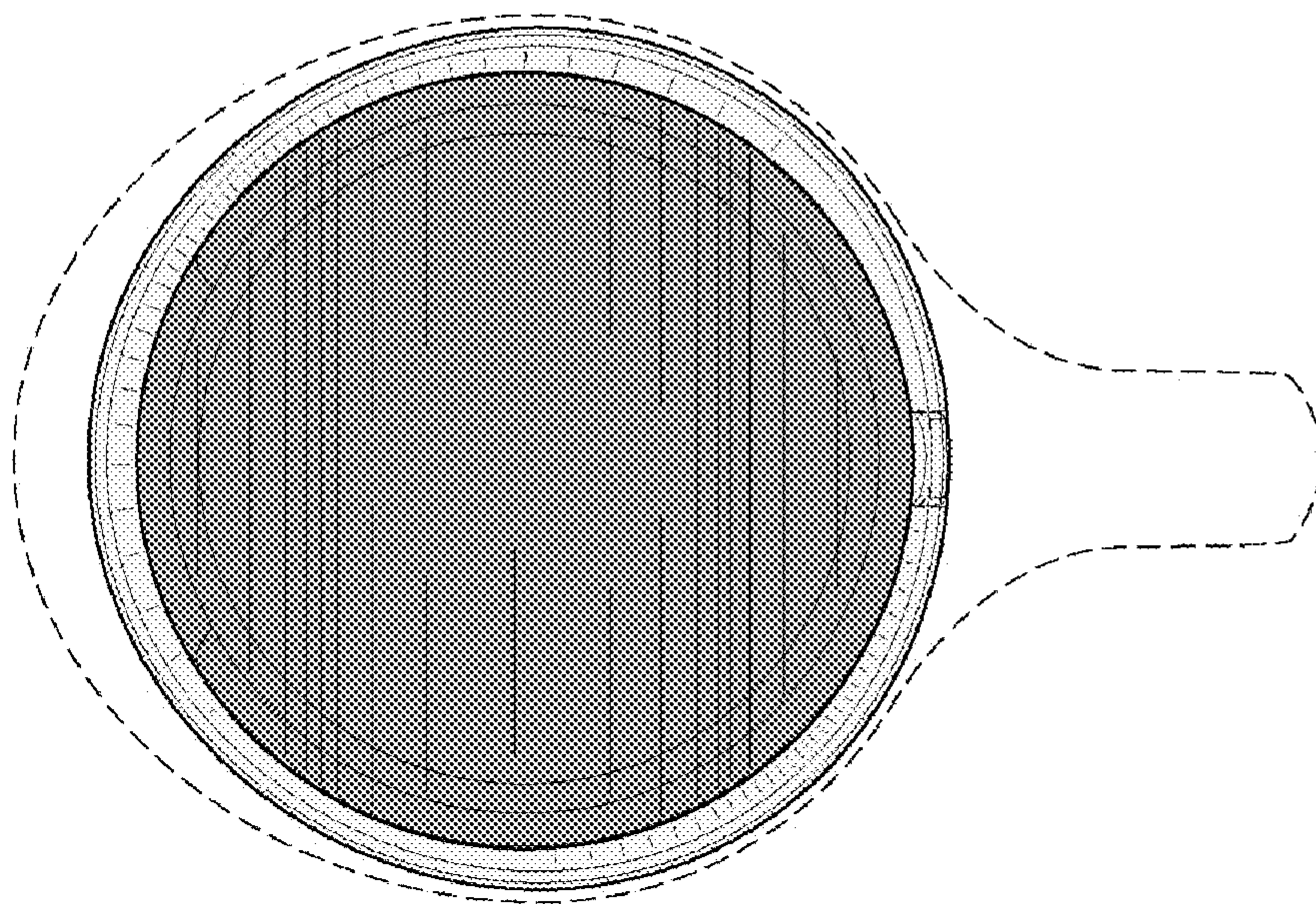


FIG. 6

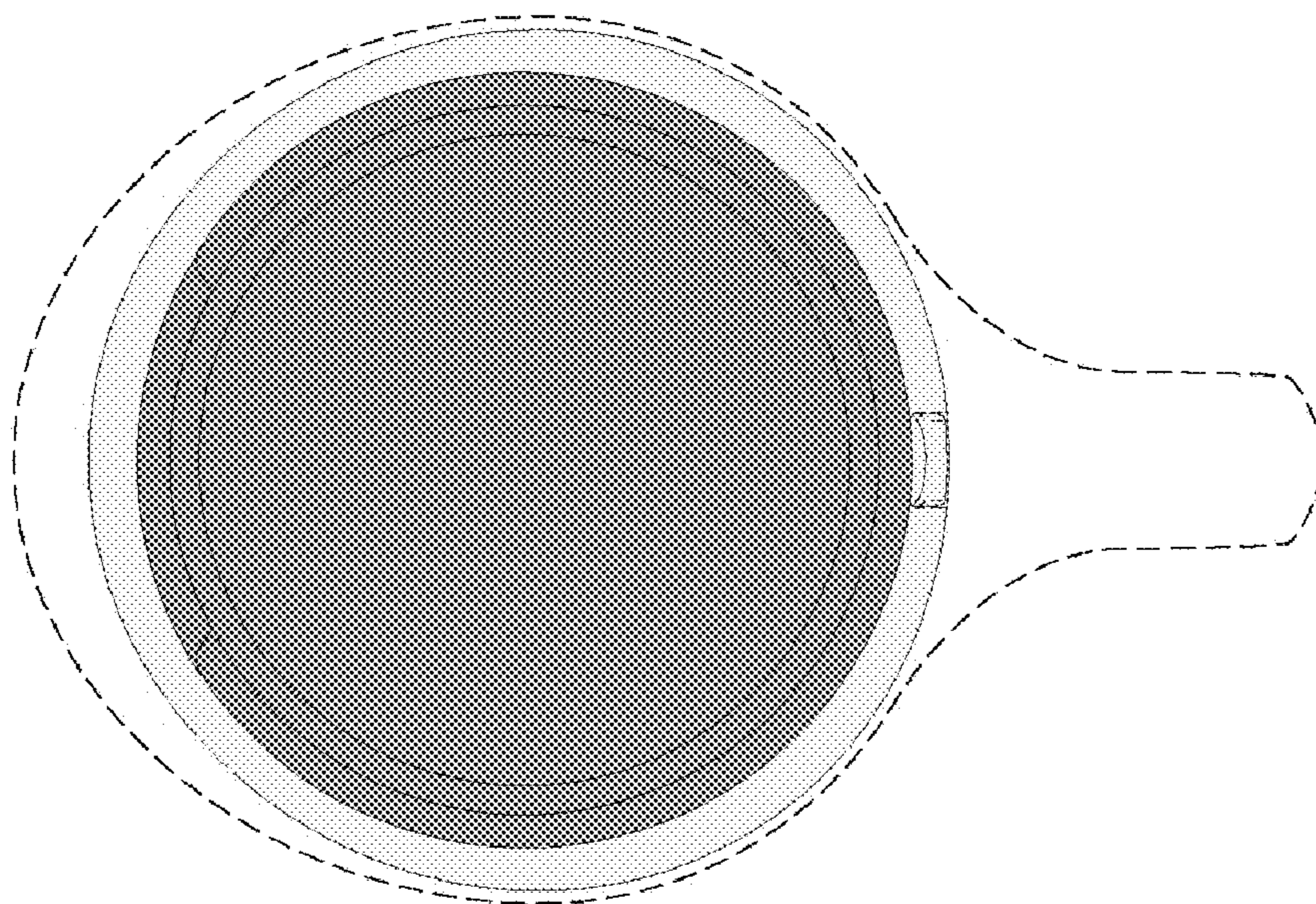


FIG. 7