



US00D655370S

(12) **United States Design Patent**  
**McCune**

(10) **Patent No.:** **US D655,370 S**

(45) **Date of Patent:** **\*\* Mar. 6, 2012**

(54) **FISHING REEL HANDLE**

(75) Inventor: **Clark Patrick McCune**, Jenks, OK  
(US)

(73) Assignee: **W.C. Bradley/Zebco Holdings, Inc.**,  
Tulsa, OK (US)

(\*\*) Term: **14 Years**

(21) Appl. No.: **29/399,978**

(22) Filed: **Aug. 22, 2011**

(51) **LOC (9) Cl.** ..... **22-05**

(52) **U.S. Cl.** ..... **D22/141**

(58) **Field of Classification Search** ..... D22/137-142;  
43/18.1-23; 242/223-224, 234, 283, 385,  
242/385.4; D9/523-524, 543

See application file for complete search history.

(56) **References Cited**

**U.S. PATENT DOCUMENTS**

2,929,578 A \* 3/1960 Dell ..... 242/234  
D313,265 S \* 12/1990 Epperson et al. .... D22/141  
D516,161 S \* 2/2006 Iwabuchi ..... D22/141

D613,364 S \* 4/2010 Koelewyn ..... D22/141  
D627,417 S \* 11/2010 Nago ..... D22/141  
D627,422 S \* 11/2010 Tabuse ..... D22/141

\* cited by examiner

*Primary Examiner* — Catheri Oliver

(74) *Attorney, Agent, or Firm* — Fellers, Snider,  
Blankenship, Bailey & Tippens, P.C.

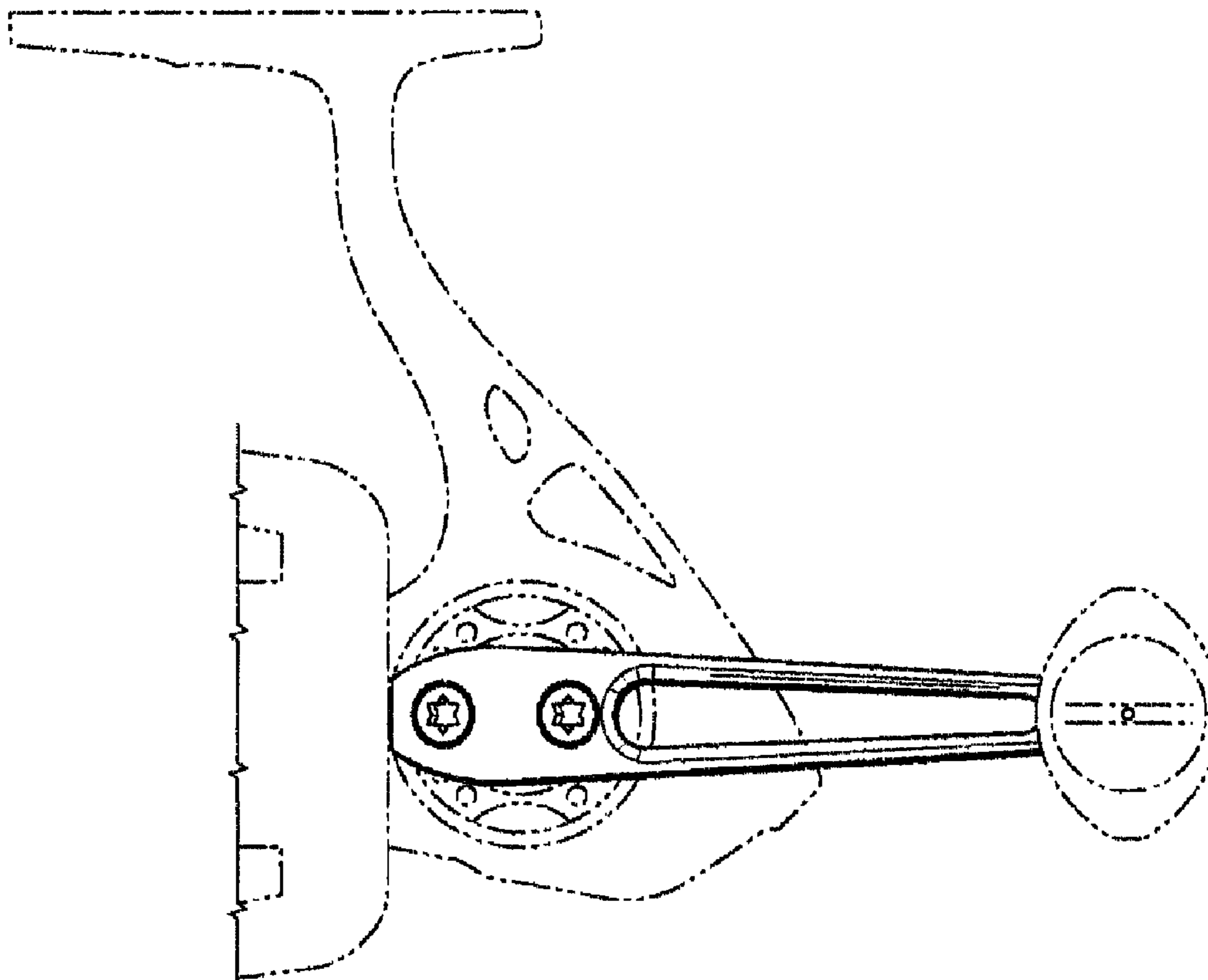
(57) **CLAIM**

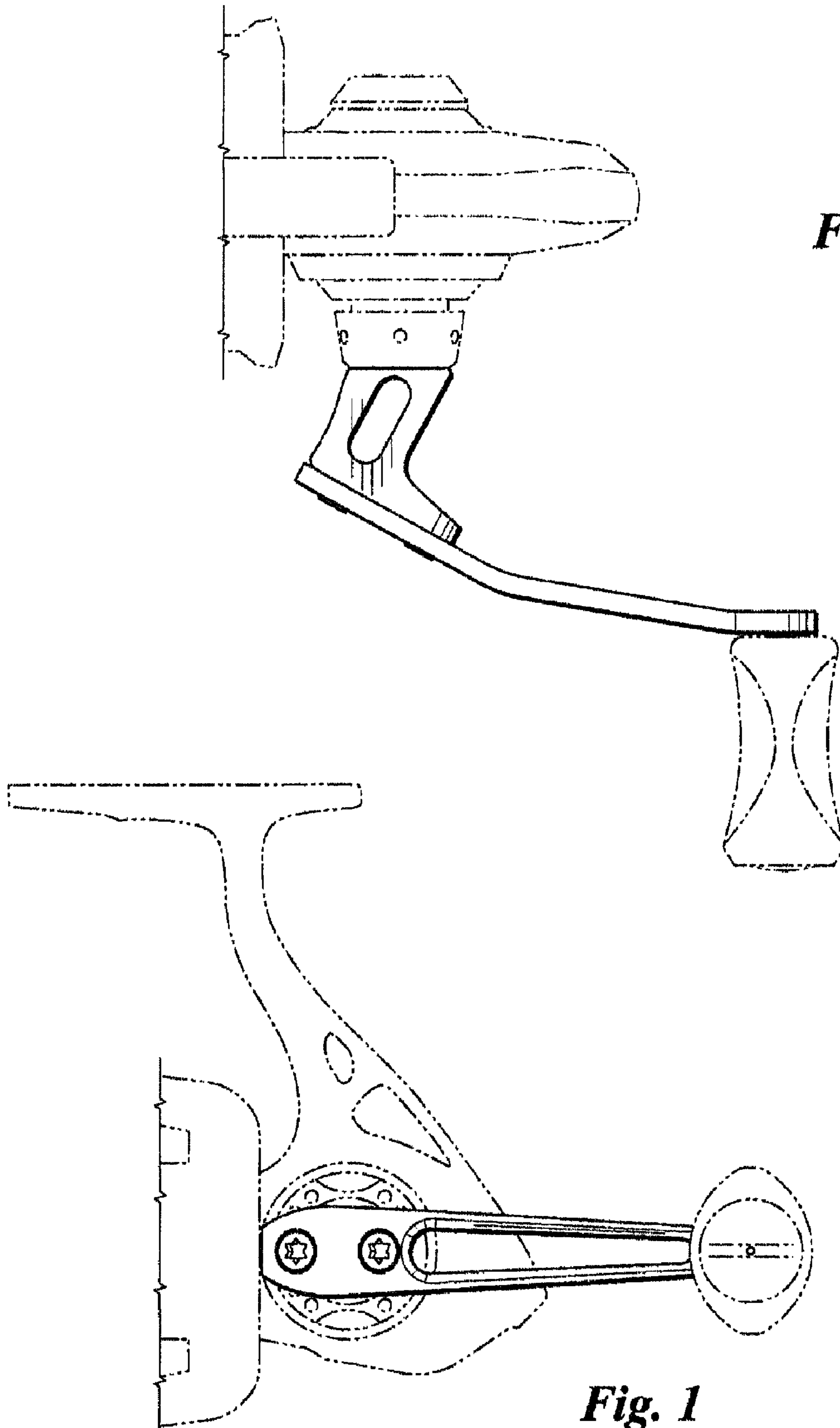
The ornamental design for a fishing reel handle, as shown and described.

**DESCRIPTION**

FIG. 1 is a front elevation view thereof;  
FIG. 2 is a top plan view thereof;  
FIG. 3 is a right side elevation view thereof;  
FIG. 4 is a left side elevation view thereof;  
FIG. 5 is bottom plan view thereof; and,  
FIG. 6 is rear elevation view thereof.  
The broken lines in FIGS. 1-6 are for the purpose of illustrating the environment in which the design is associated and form no part of the claimed design.

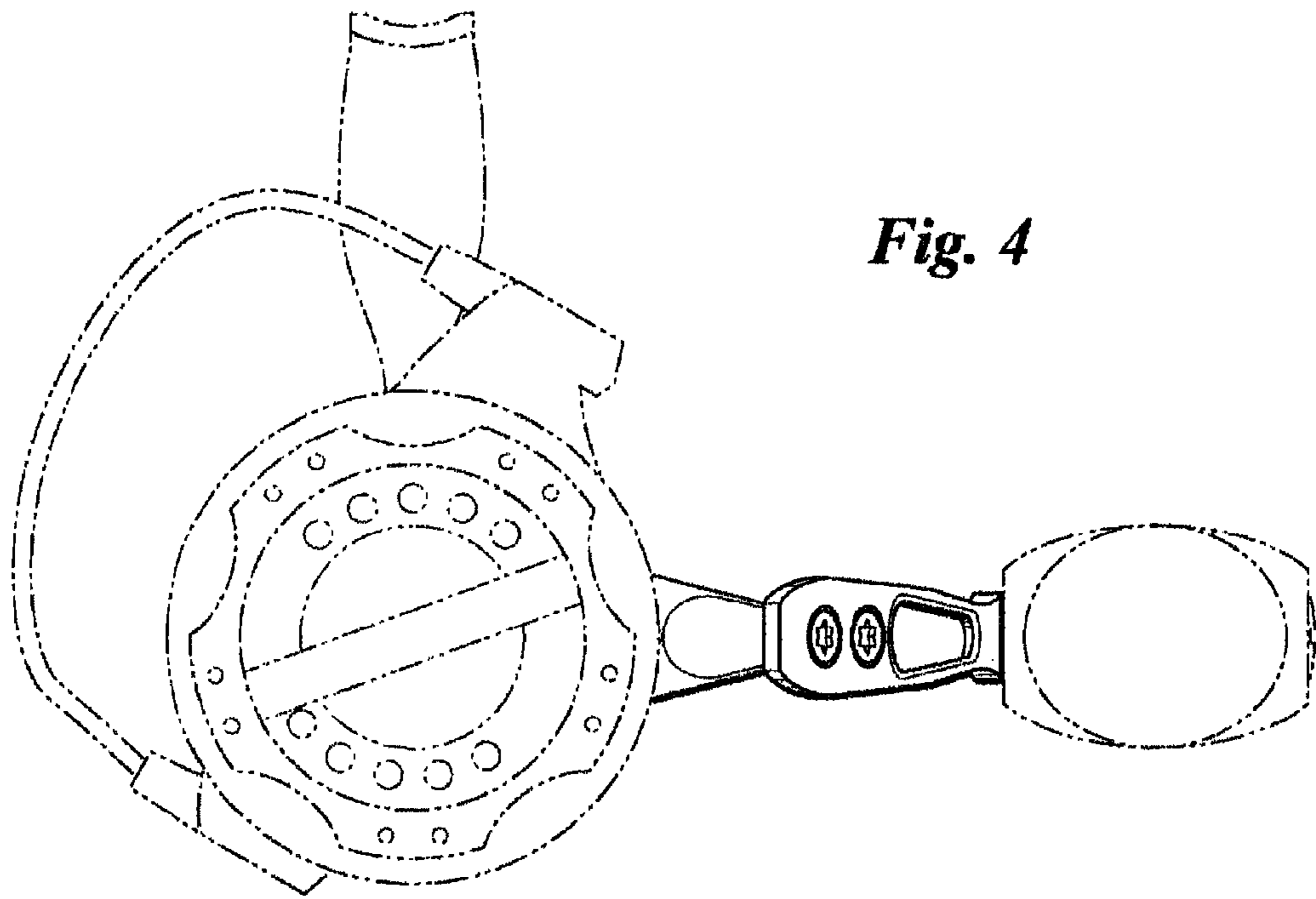
**1 Claim, 3 Drawing Sheets**



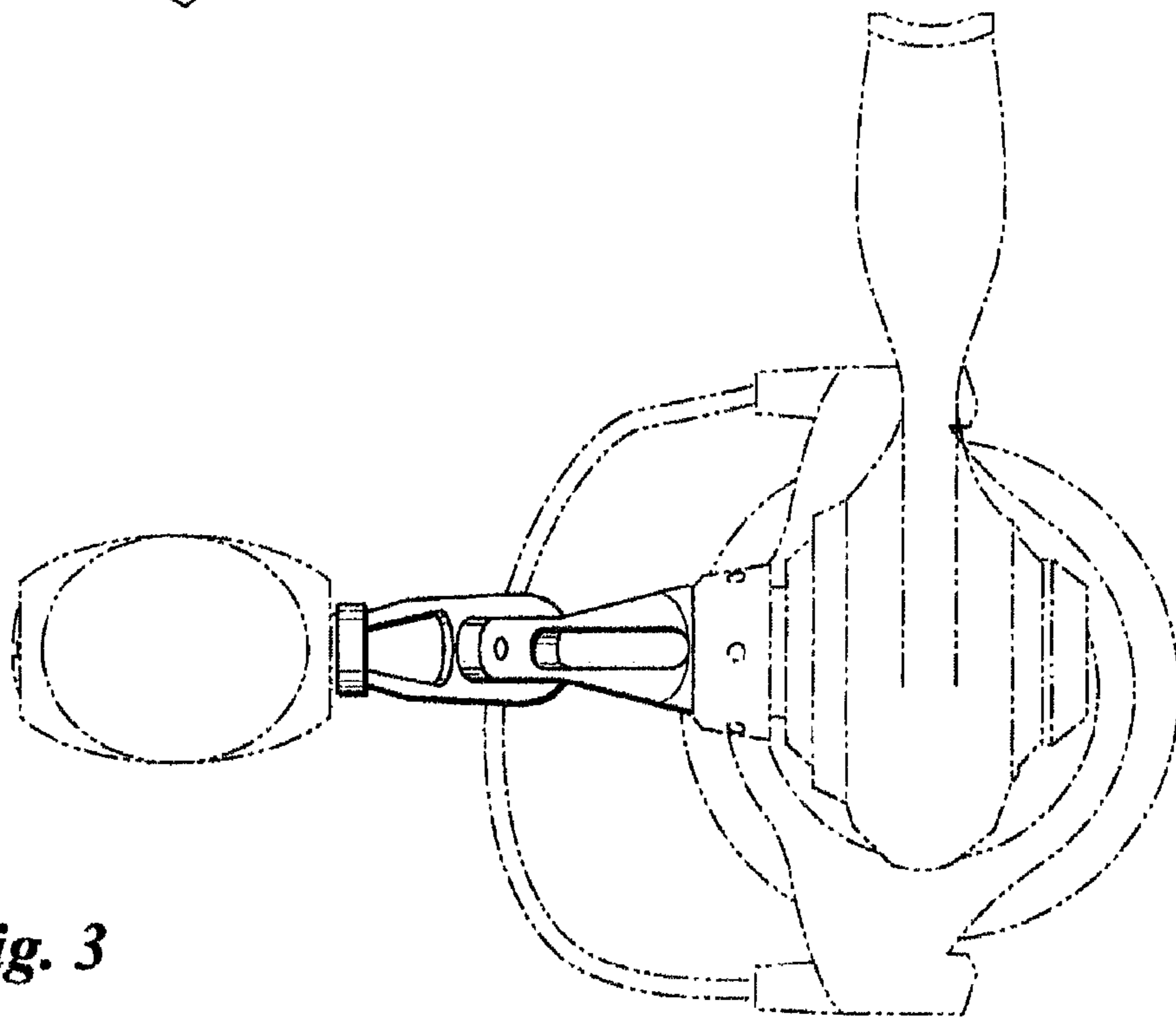


*Fig. 2*

*Fig. 1*

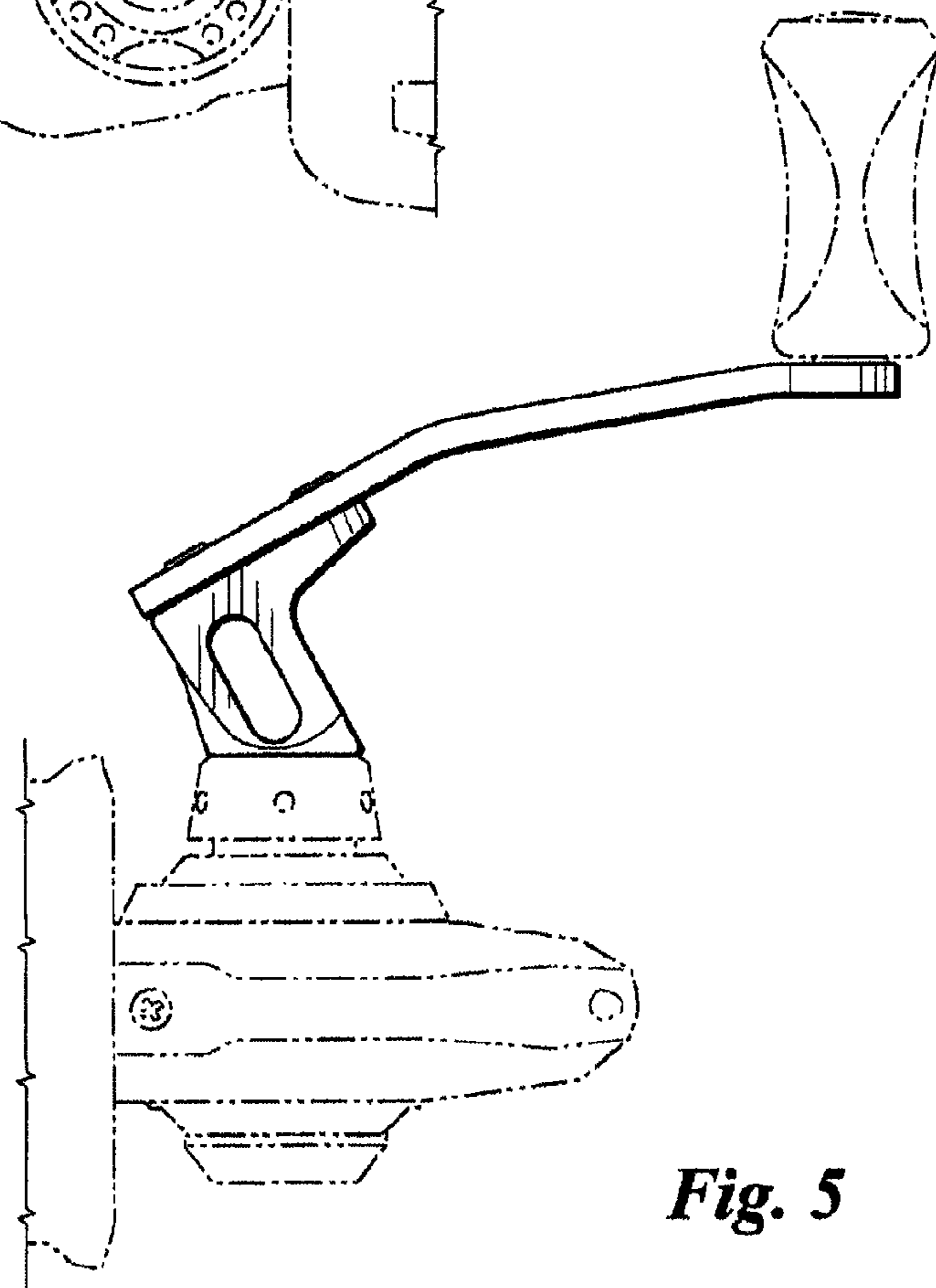
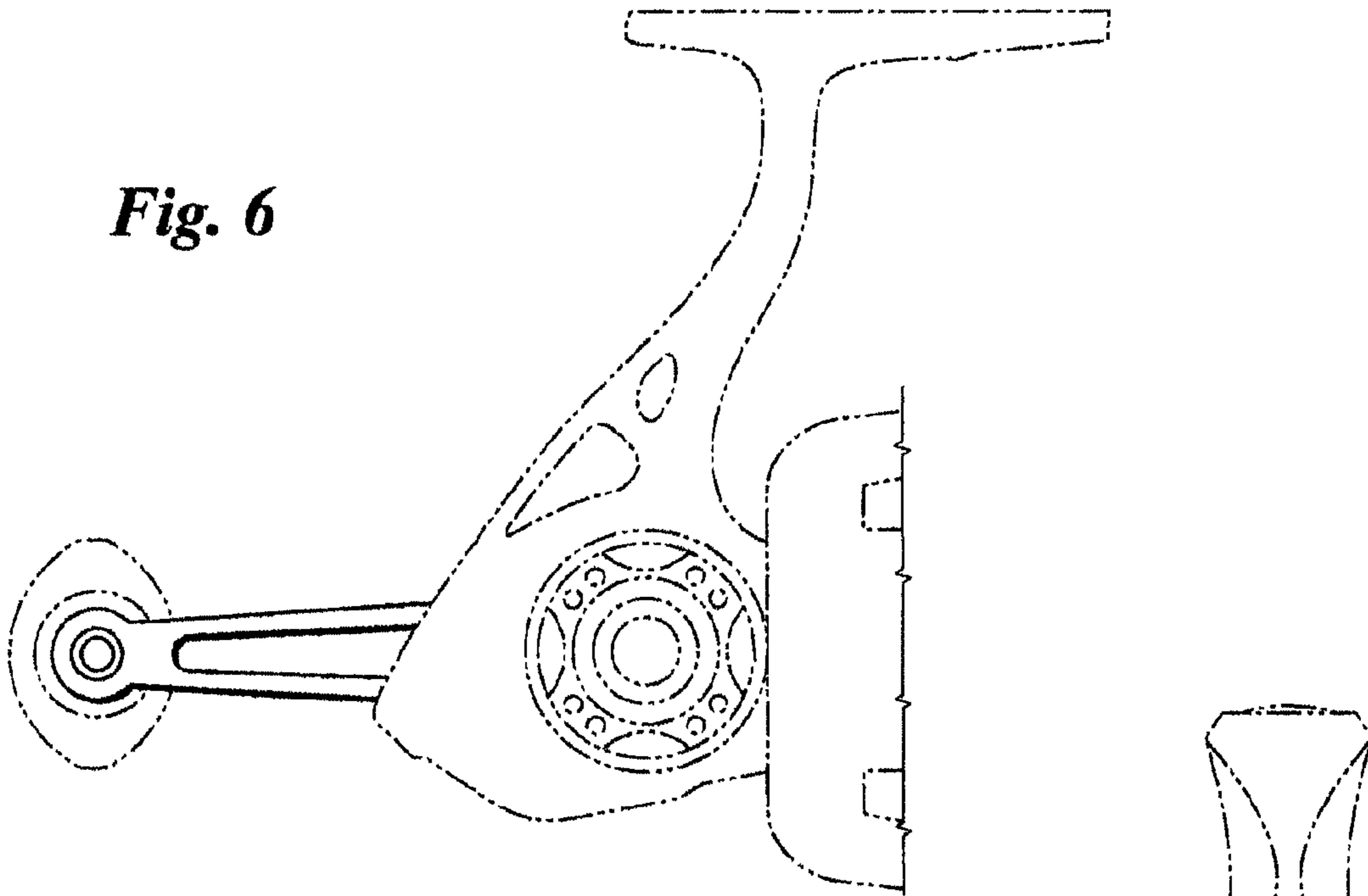


*Fig. 4*



*Fig. 3*

**Fig. 6**



**Fig. 5**